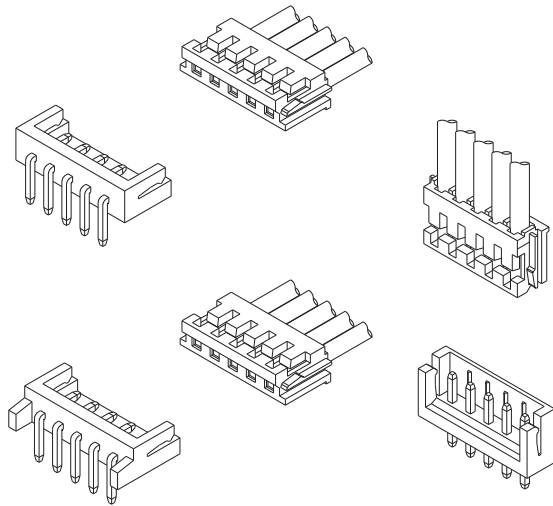
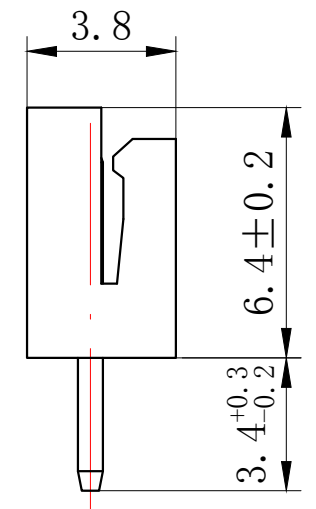
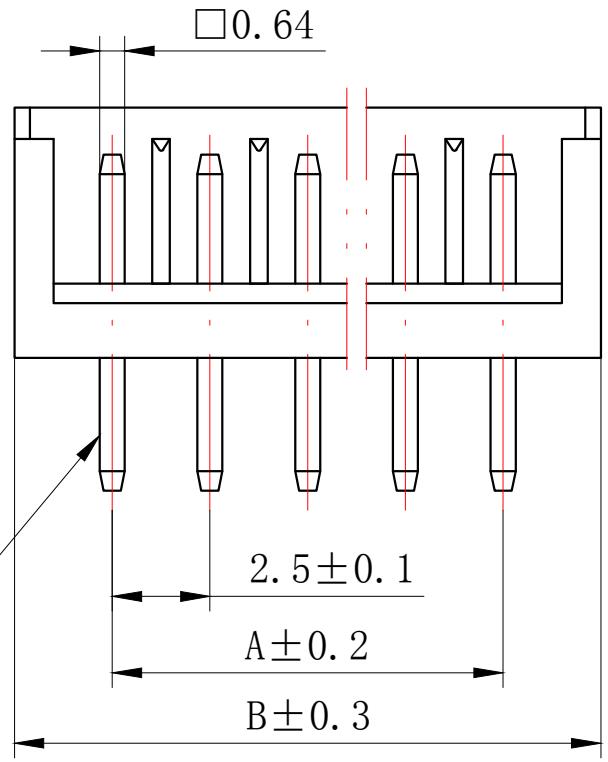


技术特性/Specifications:

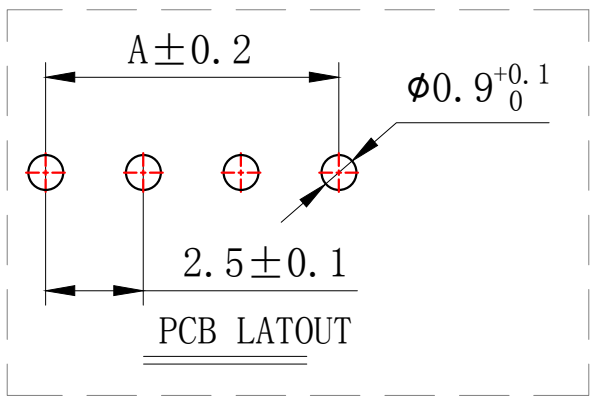
额定电压 Rated voltage: 250V AC, DC
额定电流 Rated current: 3A AC, DC
接触电阻 Contact resistance: 20m Ω max
绝缘电阻 Insulation resistance: 1000M Ω min
耐压 Withstand voltage: 800V AC/minute
环境温度 Ambient temperature: -40 $^{\circ}$ C~+105 $^{\circ}$ C
适用线规 Wire range: AWG#30~#20



| REV. | REVISION DESCRIPTION | DATE | APPD |
|------|----------------------|------|------|
| | | | |



CIRCUIT 1



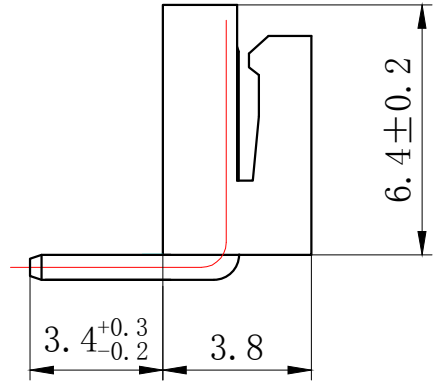
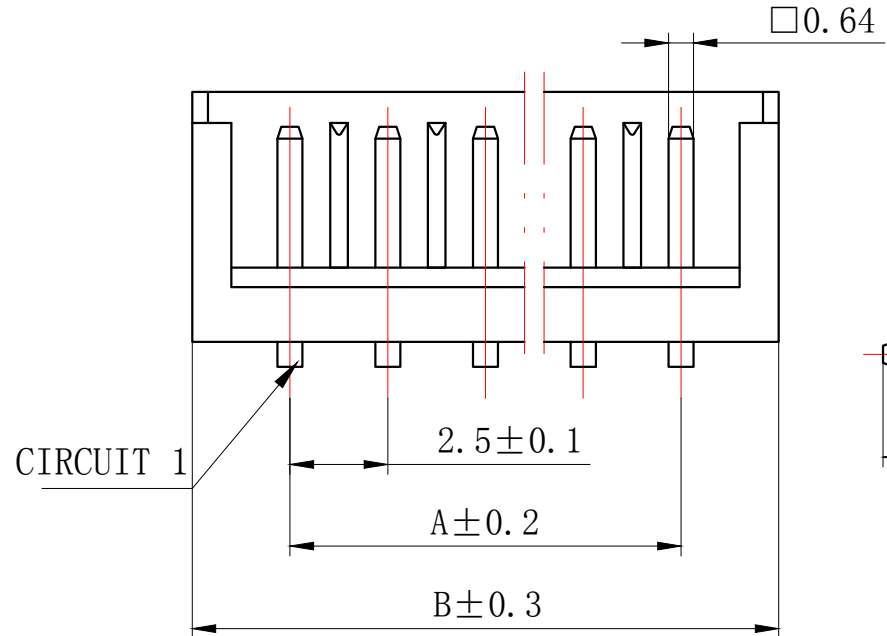
NORES:

1. Rated voltage: 250V AC/DC
2. Rated current: 3A AC/DC
3. Contact resistance: ≤ 20 mΩ
4. Insulation resistance: ≥ 1000 mΩ
5. Withstand voltage: 800V AC/minute
6. Ambient temperature: -40°C ~ 105°C
7. Materials: Nylon UL94V-0(2)
8. Matched RoHS criteria

| Circuits | Product Name | Dimension mm | |
|----------|--------------|--------------|------|
| | | A | B |
| 2 | EH-2A | 2.5 | 7.5 |
| 3 | EH-3A | 5.0 | 10.0 |
| 4 | EH-4A | 7.5 | 12.5 |
| 5 | EH-5A | 10.0 | 15.0 |
| 6 | EH-6A | 12.5 | 17.5 |
| 7 | EH-7A | 15.0 | 20.0 |
| 8 | EH-8A | 17.5 | 22.5 |
| 9 | EH-9A | 20.0 | 25.0 |
| 10 | EH-10A | 22.5 | 27.5 |
| ~ | ~ | ~ | ~ |
| 15 | EH-15A | 35.0 | 40.0 |

| GENERAL TOLERANCES (UNLESS SPECIFIED) | | ZHE JIANG DELI CONNECTORS CO., LTD | |
|---------------------------------------|--------------|------------------------------------|--|
| .X: ± 0.25 | X°: ± 3.0° | PRODUCT NAME: | TITLE: 2.50 mm Pitch Wire To Board Wafer |
| .XX: ± 0.15 | .X°: ± 2.0° | DL25011 (EH)-A | |
| .XXX: ± 0.01 | .XX°: ± 1.0° | DR: Yuan Jun Rong | DATE: 21/08/01 |
| FINISH: | | CHKD: Wu Hui | DATE: 21/08/01 |
| DRAWING NO: | | APPD: Ren An De | DATE: 21/08/01 |
| | | | PART NO: |
| | | | SCALE: N/A |
| | | | PAGE: 1/1 |
| | | | UNITS: mm |
| | | | REV.: A |

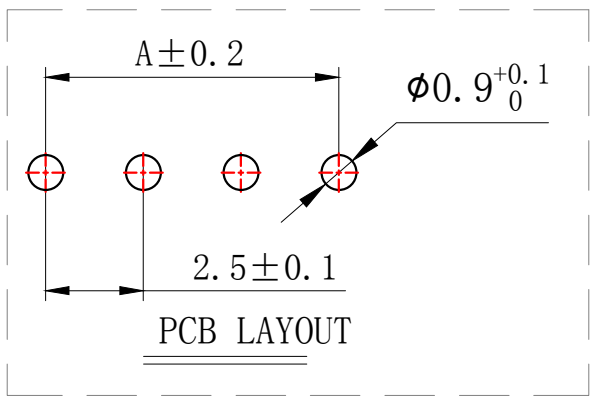
| REV. | REVISION DESCRIPTION | DATE | APPD |
|------|----------------------|------|------|
| | | | |



NORES:

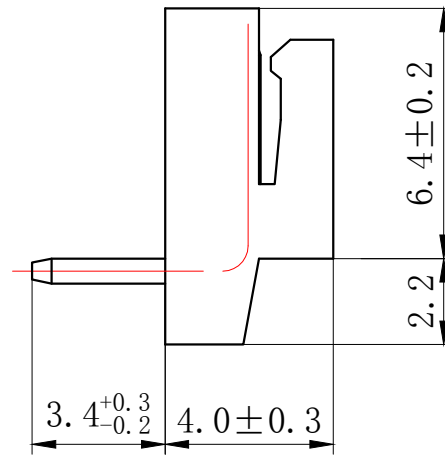
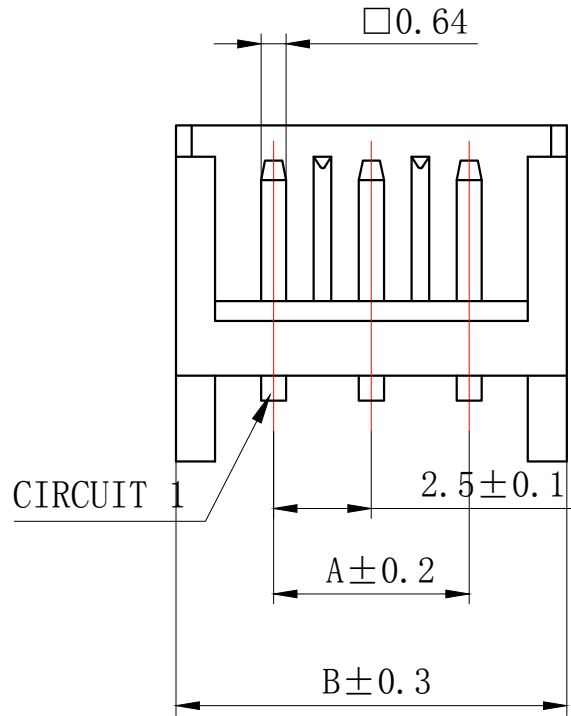
1. Rated voltage: 250V AC/DC
2. Rated current: 3A AC/DC
3. Contact resistance: ≤ 20 m Ω
4. Insulation resistance: ≥ 1000 m Ω
5. Withstand voltage: 800V AC/minute
6. Ambient temperature: $-40^{\circ}\text{C} \sim 105^{\circ}\text{C}$
7. Materials: Nylon UL94V-0(2)
8. Matched RoHS criteria

| Circuits | Product Name | Dimension mm | |
|----------|--------------|--------------|------|
| | | A | B |
| 2 | EH-2AW | 2.5 | 7.5 |
| 3 | EH-3AW | 5.0 | 10.0 |
| 4 | EH-4AW | 7.5 | 12.5 |
| 5 | EH-5AW | 10.0 | 15.0 |
| 6 | EH-6AW | 12.5 | 17.5 |
| 7 | EH-7AW | 15.0 | 20.0 |
| 8 | EH-8AW | 17.5 | 22.5 |
| 9 | EH-9AW | 20.0 | 25.0 |
| 10 | EH-10AW | 22.5 | 27.5 |
| ~ | ~ | ~ | ~ |
| 15 | EH-15AW | 35.0 | 40.0 |



| GENERAL TOLERANCES (UNLESS SPECIFIED) | | ZHE JIANG DELI CONNECTORS CO., LTD | |
|---------------------------------------|-------------------------|------------------------------------|--|
| .X: ± 0.25 | X°: $\pm 3.0^{\circ}$ | PRODUCT NAME: DL25011 (EH)-AW | TITLE: 2.50 mm Pitch Wire To Board Wafer |
| .XX: ± 0.15 | .X°: $\pm 2.0^{\circ}$ | DR: Yuan Jun Rong | DATE: 21/08/01 |
| .XXX: ± 0.01 | .XX°: $\pm 1.0^{\circ}$ | CHKD: Wu Hui | DATE: 21/08/01 |
| DRAWING NO: | | APPD: Ren An De | DATE: 21/08/01 |
| | | SCALE: N/A | PAGE: 1/1 |
| | | UNITS: mm | REV.: A |

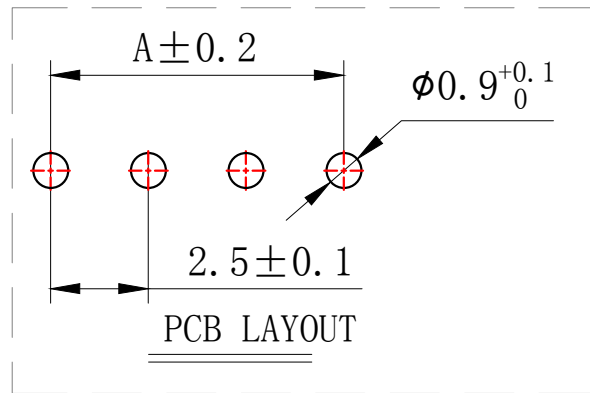
| REV. | REVISION DESCRIPTION | DATE | APPD |
|------|----------------------|------|------|
| | | | |



NORES:

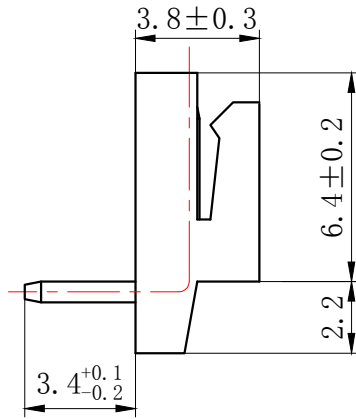
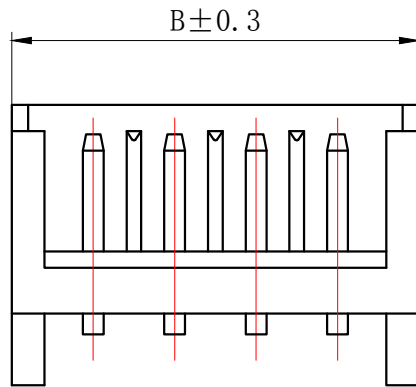
1. Rated voltage: 250V AC/DC
2. Rated current: 3A AC/DC
3. Contact resistance: $\leq 20 \text{ m}\Omega$
4. Insulation resistance: $\geq 1000 \text{ m}\Omega$
5. Withstand voltage: 800V AC/minute
6. Ambient temperature: $-40^\circ\text{C} \sim 105^\circ\text{C}$
7. Materials: Nylon UL94V-0(2)
8. Matched RoHS criteria

| Circuits | Product Name | Dimension mm | |
|----------|--------------|--------------|------|
| | | A | B |
| 2 | EH-2AWD | 2.5 | 7.5 |
| 3 | EH-3AWD | 5.0 | 10.0 |
| 4 | EH-4AWD | 7.5 | 12.5 |
| 5 | EH-5AWD | 10.0 | 15.0 |
| 6 | EH-6AWD | 12.5 | 17.5 |
| 7 | EH-7AWD | 15.0 | 20.0 |
| 8 | EH-8AWD | 17.5 | 22.5 |
| 9 | EH-9AWD | 20.0 | 25.0 |
| 10 | EH-10AWD | 22.5 | 27.5 |
| ~ | ~ | ~ | ~ |
| 15 | EH-15AWD | 35.0 | 40.0 |



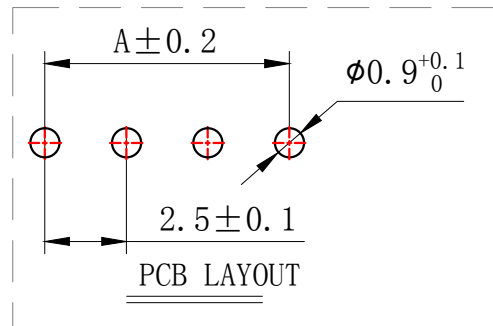
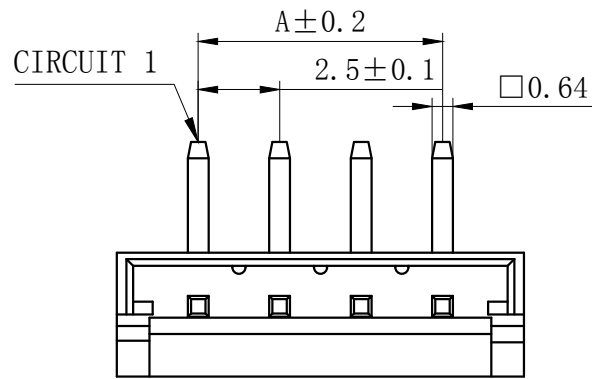
| GENERAL TOLERANCES (UNLESS SPECIFIED) | | ZHE JIANG DELI CONNECTORS CO., LTD | |
|---------------------------------------|-----------------------|------------------------------------|--|
| .X: ± 0.25 | X°: $\pm 3.0^\circ$ | PRODUCT NAME: DL25011 (EH)-AWD | TITLE: 2.50 mm Pitch Wire To Board Wafer |
| .XX: ± 0.15 | .X°: $\pm 2.0^\circ$ | DR: Yuan Jun Rong | DATE: 21/08/01 |
| .XXX: ± 0.01 | .XX°: $\pm 1.0^\circ$ | CHKD: Wu Hui | DATE: 21/08/01 |
| FINISH: | | APPD: Ren An De | DATE: 21/08/01 |
| DRAWING NO: | | UNITS: mm | REV.: A |

| REV. | REVISION DESCRIPTION | DATE | APPD |
|------|----------------------|------|------|
| | | | |



NORES:

1. Rated voltage: 250V AC/DC
2. Rated current: 3A AC/DC
3. Contact resistance: $\leq 20 \text{ m}\Omega$
4. Insulation resistance: $\geq 1000 \text{ m}\Omega$
5. Withstand voltage: 800V AC/minute
6. Ambient temperature: $-40^\circ\text{C} \sim 105^\circ\text{C}$
7. Materials: Nylon UL94V-0(2)
8. Matched RoHS criteria



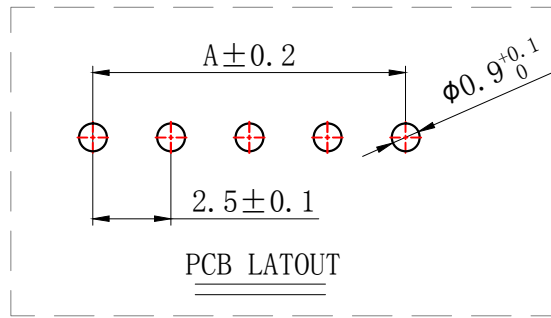
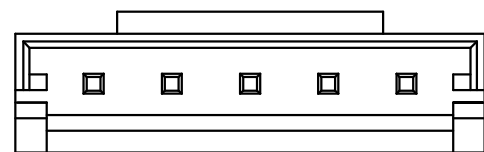
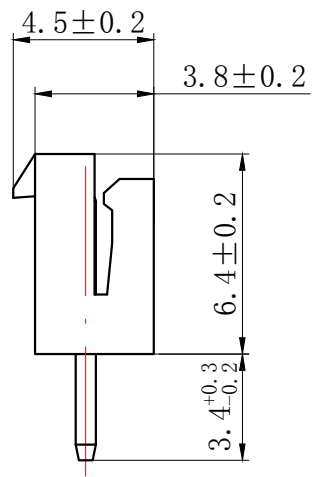
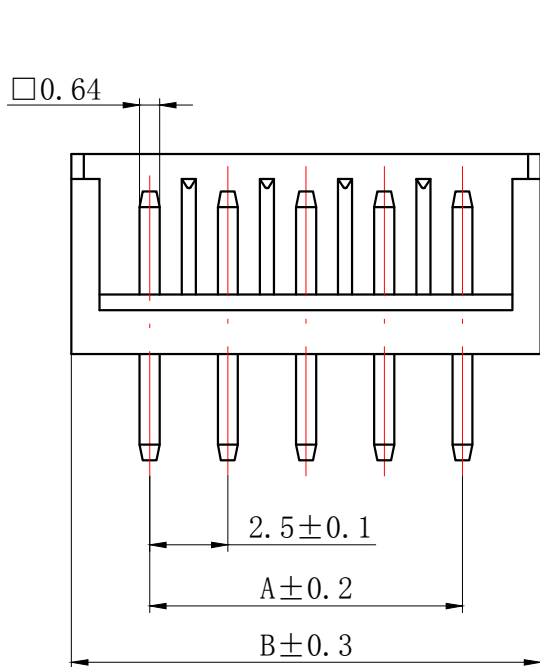
| Circuits | Product Name | Dimension mm | |
|----------|--------------|--------------|------|
| | | A | B |
| 2 | EH-2AWD-2 | 2.5 | 7.5 |
| 3 | EH-3AWD-2 | 5.0 | 10.0 |
| 4 | EH-4AWD-2 | 7.5 | 12.5 |
| 5 | EH-5AWD-2 | 10.0 | 15.0 |
| 6 | EH-6AWD-2 | 12.5 | 17.5 |
| 7 | EH-7AWD-2 | 15.0 | 20.0 |
| 8 | EH-8AWD-2 | 17.5 | 22.5 |
| 9 | EH-9AWD-2 | 20.0 | 25.0 |
| 10 | EH-10AWD-2 | 22.5 | 27.5 |
| ~ | ~ | ~ | ~ |
| 15 | EH-15AWD-2 | 35.0 | 40.0 |

| GENERAL TOLERANCES (UNLESS SPECIFIED) | | ZHE JIANG DELI CONNECTORS CO., LTD | |
|---------------------------------------|--------------|-------------------------------------|--|
| .X: ± 0.25 | X°: ± 3.0° | PRODUCT NAME: DL25011 (EH)-AWD-2 | TITLE: 2.50 mm Pitch Wire To Board Wafer |
| .XX: ± 0.15 | .X°: ± 2.0° | DR: Yuan Jun Rong | DATE: 21/08/01 |
| .XXX: ± 0.01 | .XX°: ± 1.0° | CHKD: Wu Hui | DATE: 21/08/01 |
| FINISH: _____ | | APPD: Ren An De | DATE: 21/08/01 |
| DRAWING NO: | | UNITS: mm | REV.: A |

| REV. | REVISION DESCRIPTION | DATE | APPD |
|------|----------------------|------|------|
| | | | |

NORES:

1. Rated voltage: 250V AC/DC
2. Rated current: 3A AC/DC
3. Contact resistance: $\leq 20 \text{ m}\Omega$
4. Insulation resistance: $\geq 1000 \text{ m}\Omega$
5. Withstand voltage: 800V AC/minute
6. Ambient temperature: $-40^{\circ}\text{C} \sim 105^{\circ}\text{C}$
7. Materials: Nylon UL94V-0(2)
8. Matched RoHS criteria



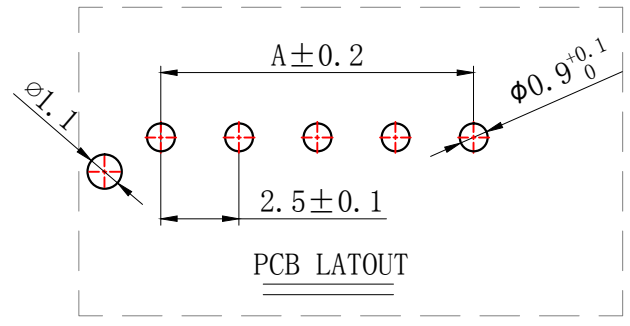
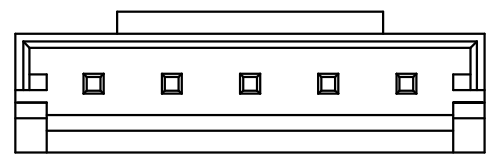
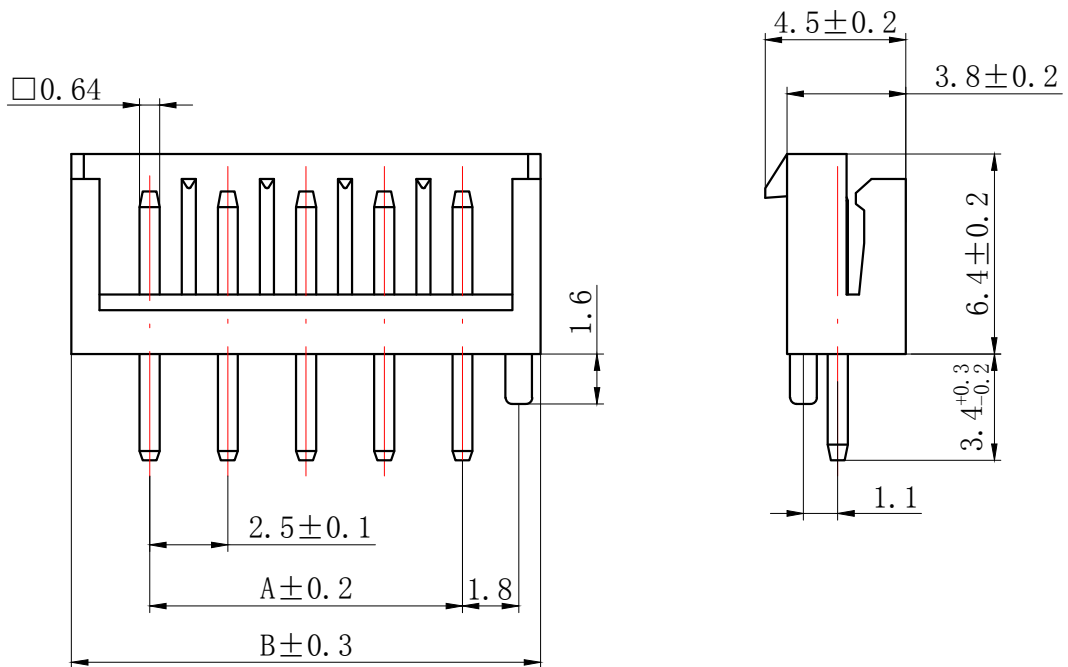
| Circuits | Product Name | Dimension mm | |
|----------|--------------|--------------|------|
| | | A | B |
| 2 | EHB-2A | 2.5 | 7.5 |
| 3 | EHB-3A | 5.0 | 10.0 |
| 4 | EHB-4A | 7.5 | 12.5 |
| 5 | EHB-5A | 10.0 | 15.0 |
| 6 | EHB-6A | 12.5 | 17.5 |
| 7 | EHB-7A | 15.0 | 20.0 |
| 8 | EHB-8A | 17.5 | 22.5 |
| 9 | EHB-9A | 20.0 | 25.0 |
| 10 | EHB-10A | 22.5 | 27.5 |
| ~ | ~ | ~ | ~ |
| 15 | EHB-15A | 35.0 | 40.0 |

| | | | |
|---------------------------------------|-------------------------|------------------------------------|--|
| GENERAL TOLERANCES (UNLESS SPECIFIED) | | ZHE JIANG DELI CONNECTORS CO., LTD | |
| .X: ± 0.25 | X°: $\pm 3.0^{\circ}$ | PRODUCT NAME: DL25038 (EHB)-A | TITLE: 2.50 mm Pitch Wire To Board Wafer |
| .XX: ± 0.15 | .X°: $\pm 2.0^{\circ}$ | DR: Ke Xian Qiang | DATE: 19/08/01 |
| .XXX: ± 0.01 | .XX°: $\pm 1.0^{\circ}$ | CHKD: Liu Bing | DATE: 19/08/01 |
| FINISH: | | APPD: Ren An De | DATE: 19/08/01 |
| DRAWING NO: | | | PART NO: |
| | | | SCALE: N/A |
| | | | PAGE: 1/1 |
| | | | UNITS: mm |
| | | | REV.: A |

| | | | |
|------|----------------------|------|------|
| REV. | REVISION DESCRIPTION | DATE | APPD |
| | | | |

NORES:

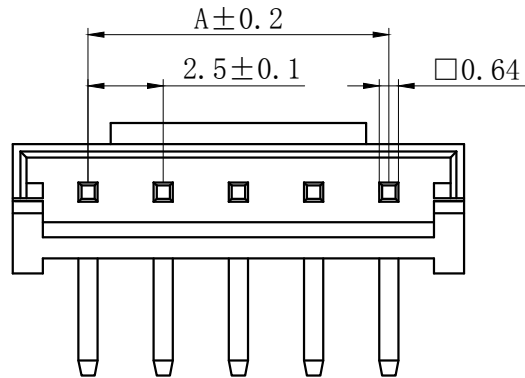
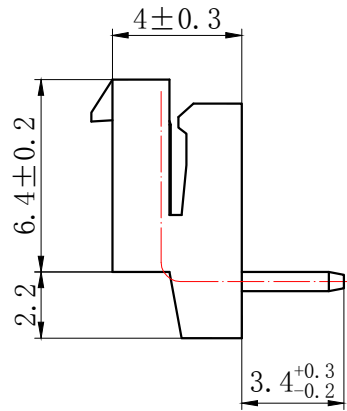
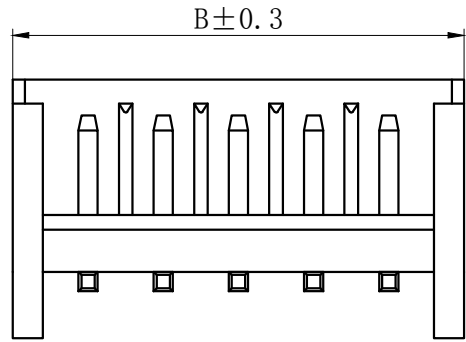
1. Rated voltage: 250V AC/DC
2. Rated current: 3A AC/DC
3. Contact resistance: $\leq 20 \text{ m}\Omega$
4. Insulation resistance: $\geq 1000 \text{ m}\Omega$
5. Withstand voltage: 800V AC/minute
6. Ambient temperature: $-40^{\circ}\text{C} \sim 105^{\circ}\text{C}$
7. Materials: Nylon UL94V-0(2)
8. Matched RoHS criteria



| Circuits | Product Name | Dimension mm | |
|----------|--------------|--------------|------|
| | | A | B |
| 2 | EHB-2AS | 2.5 | 7.5 |
| 3 | EHB-3AS | 5.0 | 10.0 |
| 4 | EHB-4AS | 7.5 | 12.5 |
| 5 | EHB-5AS | 10.0 | 15.0 |
| 6 | EHB-6AS | 12.5 | 17.5 |
| 7 | EHB-7AS | 15.0 | 20.0 |
| 8 | EHB-8AS | 17.5 | 22.5 |
| 9 | EHB-9AS | 20.0 | 25.0 |
| 10 | EHB-10AS | 22.5 | 27.5 |
| ~ | ~ | ~ | ~ |
| 15 | EHB-15AS | 35.0 | 40.0 |

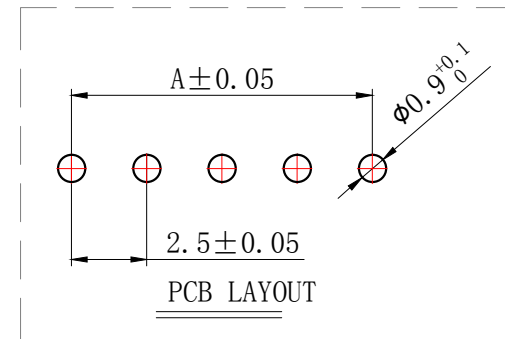
| | | | |
|---------------------------------------|--------------|------------------------------------|--|
| GENERAL TOLERANCES (UNLESS SPECIFIED) | | ZHE JIANG DELI CONNECTORS CO., LTD | |
| .X: ± 0.25 | X°: ± 3.0° | PRODUCT NAME: DL25038 (EHB)-AS | TITLE: 2.50 mm Pitch Wire To Board Wafer |
| .XX: ± 0.15 | .X°: ± 2.0° | DR: Ke Xian Qiang | DATE:19/08/01 |
| .XXX: ± 0.01 | .XX°: ± 1.0° | CHKD: Liu Bing | DATE:19/08/01 |
| FINISH: | | APPD: Ren An De | DATE:19/08/01 |
| DRAWING NO: | | | |
| | | | PART NO: |
| | | | SCALE: N/A |
| | | | PAGE: 1/1 |
| | | | UNITS: mm |
| | | | REV.: A |

| REV. | REVISION DESCRIPTION | DATE | APPD |
|------|----------------------|------|------|
| | | | |



NORES:

1. Rated voltage: 250V AC/DC
2. Rated current: 3A AC/DC
3. Contact resistance: $\leq 20 \text{ m}\Omega$
4. Insulation resistance: $\geq 1000 \text{ m}\Omega$
5. Withstand voltage: 800V AC/minute
6. Ambient temperature: $-40^\circ\text{C} \sim 105^\circ\text{C}$
7. Materials: Nylon UL94V-0(2)
8. Matched RoHS criteria



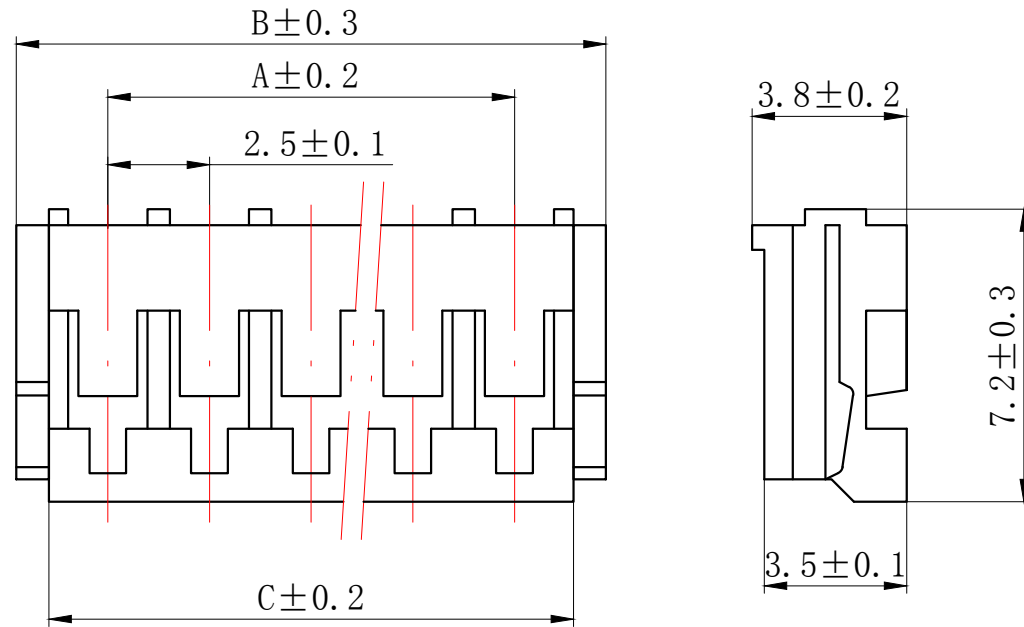
| Circuits | Product Name | Dimension mm | |
|----------|--------------|--------------|------|
| | | A | B |
| 2 | EHB-2AWD | 2.5 | 7.5 |
| 3 | EHB-3AWD | 5.0 | 10.0 |
| 4 | EHB-4AWD | 7.5 | 12.5 |
| 5 | EHB-5AWD | 10.0 | 15.0 |
| 6 | EHB-6AWD | 12.5 | 17.5 |
| 7 | EHB-7AWD | 15.0 | 20.0 |
| 8 | EHB-8AWD | 17.5 | 22.5 |
| 9 | EHB-9AWD | 20.0 | 25.0 |
| 10 | EHB-10AWD | 22.5 | 27.5 |
| ~ | ~ | ~ | ~ |
| 15 | EHB-15AWD | 35.0 | 40.0 |

| GENERAL TOLERANCES (UNLESS SPECIFIED) | | ZHE JIANG DELI CONNECTORS CO., LTD | |
|---------------------------------------|-----------------------|------------------------------------|--|
| .X: ± 0.25 | X°: $\pm 3.0^\circ$ | PRODUCT NAME: DL25038 (EHB)-AWD | TITLE: 2.50 mm Pitch Wire To Board Wafer |
| .XX: ± 0.15 | .X°: $\pm 2.0^\circ$ | DR: Yuan Jun Rong | DATE: 21/08/01 |
| .XXX: ± 0.01 | .XX°: $\pm 1.0^\circ$ | CHKD: Wu Hui | DATE: 21/08/01 |
| FINISH: | | APPD: Ren An De | DATE: 21/08/01 |
| DRAWING NO: | | UNITS: mm | REV.: A |

| | | | |
|------|----------------------|------|------|
| REV. | REVISION DESCRIPTION | DATE | APPD |
| | | | |

NOTES

Available in 02 through 15 Circuits.
Mates with DL25011/DL25038 Series Housing.
Material : Nylon UL94V-0(2).
Pin Material : Brass / Tin-Plated.



| Circuits | Product name | Dimension mm | | | Circuits | Product name | Dimension mm | | |
|----------|--------------|--------------|-------|-------|----------|--------------|--------------|-------|-------|
| | | A | B | C | | | A | B | C |
| 2 | EH-2Y | 2.50 | 7.00 | 5.40 | 9 | EH-9Y | 20.00 | 24.50 | 22.90 |
| 3 | EH-3Y | 5.00 | 9.50 | 7.90 | 10 | EH-10Y | 22.50 | 27.00 | 25.40 |
| 4 | EH-4Y | 7.50 | 12.00 | 10.40 | 11 | EH-11Y | 25.00 | 29.50 | 27.90 |
| 5 | EH-5Y | 10.00 | 14.50 | 12.90 | 12 | EH-12Y | 27.50 | 32.00 | 30.40 |
| 6 | EH-6Y | 12.50 | 17.00 | 15.40 | 13 | EH-13Y | 30.00 | 34.50 | 32.90 |
| 7 | EH-7Y | 15.00 | 19.50 | 17.90 | 14 | EH-14Y | 32.50 | 37.00 | 35.40 |
| 8 | EH-8Y | 17.50 | 22.00 | 20.40 | 15 | EH-15Y | 35.00 | 39.50 | 37.90 |

| GENERAL TOLERANCES (UNLESS SPECIFIED) | | ZHE JIANG DELI CONNECTORS CO., LTD | |
|---------------------------------------|-----------------------|------------------------------------|-----------------------|
| .X: ± 0.25 | X°: $\pm 3.0^\circ$ | PRODUCT NAME: | TITLE: |
| .XX: ± 0.15 | .X°: $\pm 2.0^\circ$ | DL25011 (EH)-Y | 2.50 mm Pitch Housing |
| .XXX: ± 0.01 | .XX°: $\pm 1.0^\circ$ | DR: Chen Quan Long | DATE: 21/08/01 |
| FINISH: | | CHKD: Wu Hui | DATE: 21/08/01 |
| DRAWING NO: | | APPD: Ren An De | DATE: 21/08/01 |
| | | | PART NO: |
| | | | SCALE: N/A |
| | | | PAGE: 1/1 |
| | | | UNITS: mm |
| | | | REV.: A |

| REV. | REVISION DESCRIPTION | DATE | APPD |
|------|----------------------|------|------|
| | | | |

NOTES

Used in DL25011-Y Series Housing.

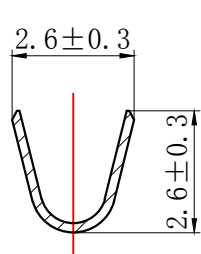
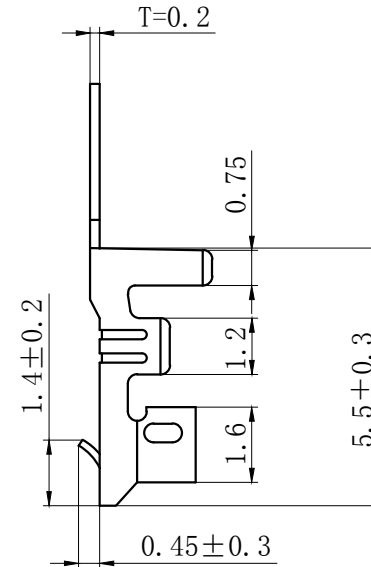
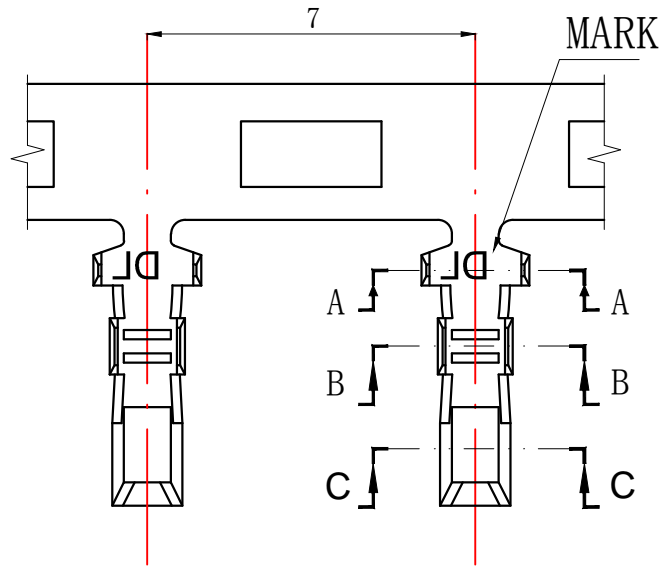
Accepts AWG #30~22 Wire Range.

Insulation O.D.=1.0~1.9 mm.

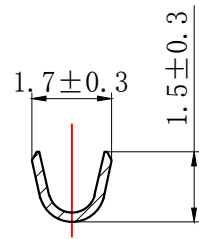
Material : Phosphor Bronze .

Finish: Tin-plated.

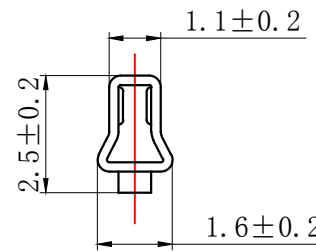
Thickness: 0.2 mm.



SECTION A-A



SECTION B-B



SECTION C-C

| GENERAL TOLERANCES (UNLESS SPECIFIED) | | ZHE JIANG DELI CONNECTORS CO., LTD | |
|---------------------------------------|--------------|------------------------------------|----------------------|
| .X: ± 0.25 | X°: ± 3.0° | PRODUCT NAME: | TITLE: 2.50 mm Pitch |
| .XX: ± 0.15 | .X°: ± 2.0° | DL25011 (EH)-T | |
| .XXX: ± 0.01 | .XX°: ± 1.0° | DR: Chen Quan Long | DATE: 21/03/13 |
| FINISH: | | CHKD: Wu Hui | DATE: 21/03/13 |
| DRAWING NO: | | APPD: Ren An De | DATE: 21/03/13 |
| | | SCALE: N/A | PAGE: 1/1 |
| | | UNITS: mm | REV.: A |

X-ON Electronics

Largest Supplier of Electrical and Electronic Components

Click to view similar products for [Headers & Wire Housings](#) category:

Click to view products by [DLL](#) manufacturer:

Other Similar products are found below :

[0015917161](#) [0022155065](#) [57102-F02-18ULF](#) [58102-G61-06LF](#) [582553-1](#) [01.001.5753.1](#) [0050291907](#) [02.125.8002.8](#) [609-3404](#) [61062-3](#)
[CSU011177004](#) [622-0430](#) [622-3653LF](#) [63453-116](#) [636-1030](#) [636-1427](#) [636-3427](#) [636-4007](#) [641938-9](#) [65495-038](#) [65692-001LF](#) [65781-018](#)
[65781-047](#) [65817-010LF](#) [65817-015LF](#) [67095-007LF](#) [67601157](#) [68631-112](#) [68645-018](#) [699319-000](#) [70.362.1628.0](#) [70-4210](#) [70-4226B](#) [70-](#)
[4853B](#) [71.350.2428.0](#) [733-134](#) [733-162](#) [760-3052](#) [MHR-64-VUAL](#) [80.063.4001.1](#) [800-90-001-10-001000](#) [801-43-002-10-013000](#)
[801-43-006-10-002000](#) [803-43-024-10-001000](#) [803-93-012-10-001000](#) [8-1437020-4](#) [819-22-004-30-001101](#) [820-22-006-30-001101](#)
[820-22-008-30-001101](#) [821-22-002-10-001101](#)