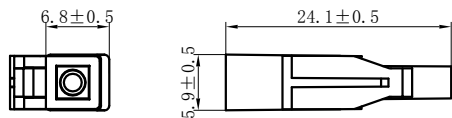


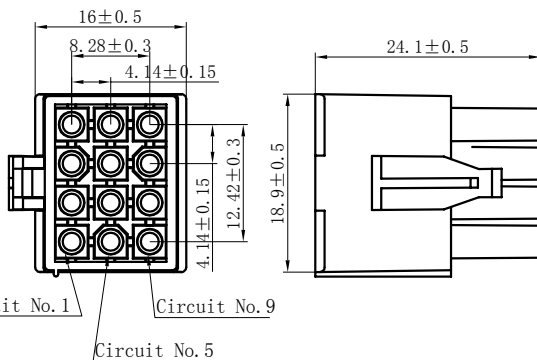
技术特性/Specifications:

额定电压 Rated voltage: 300V AC, DC
额定电流 Rated current: 8A AC, DC
接触电阻 Contact resistance: 20m Ω max
绝缘电阻 Insulation resistance: 1000M Ω min
耐压 Withstand voltage: 1500V AC/minute
环境温度 Ambient temperature: -40 $^{\circ}$ C~+105 $^{\circ}$ C
适用线规 Wire range: AWG#26~#18

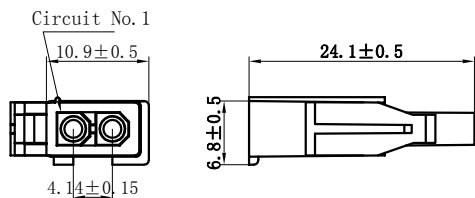
FL-1Y



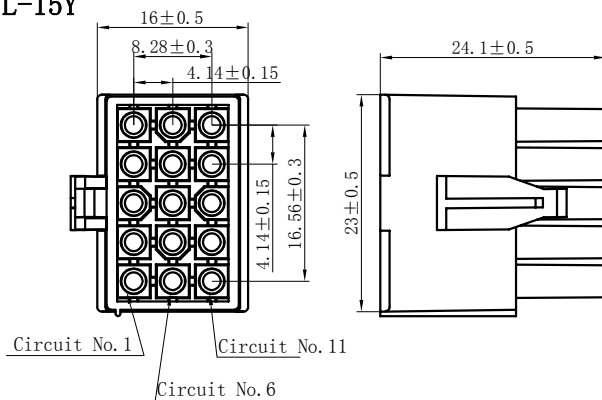
FL-12Y



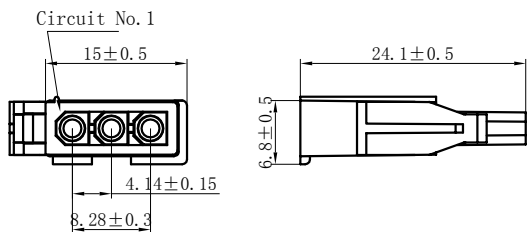
FL-2Y



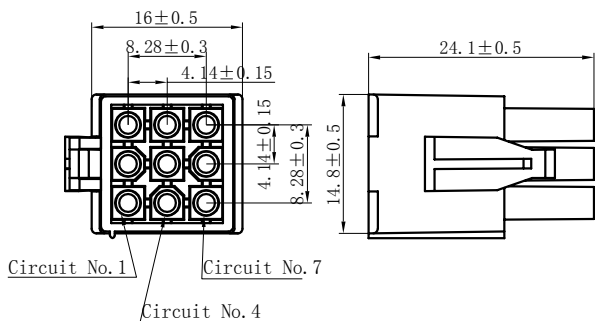
FL-15Y



FL-3Y



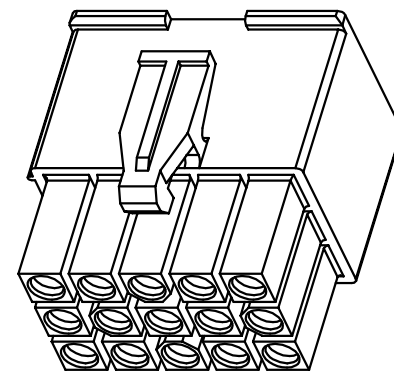
FL-9Y



REV.	REVISION DESCRIPTION	DATE	APPD

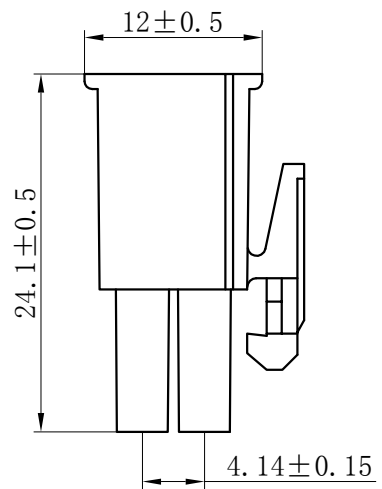
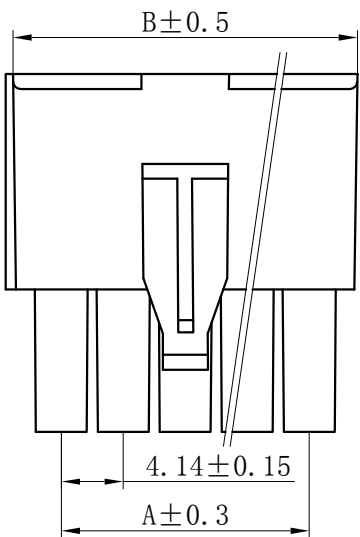
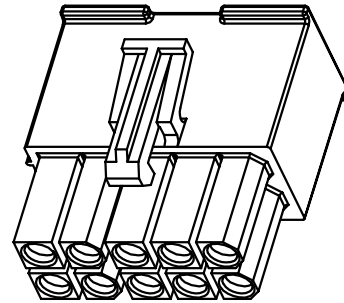
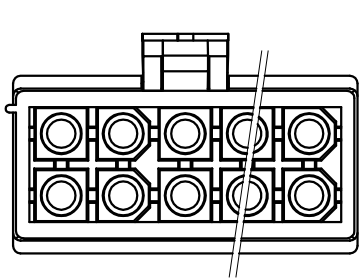
NOTES:

- 1、Rated voltage: 300V AC.DC
 - 2、Rated current: 8A AC.DC
 - 3、Contact resistance: $\leq 20 \text{ m}\Omega$
 - 4、Insulation resistance: $\geq 1000 \text{ M}\Omega$
 - 5、Withstand voltage : 1500V AC/minute
 - 6、Ambient temperature: $-40^{\circ}\text{C} \sim 105^{\circ}\text{C}$
- Materials: Nylon UL94V-0(2)
Green Material RoHS Compliant



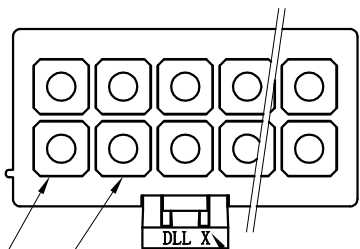
GENERAL TOLERANCES (UNLESS SPECIFIED)		ZHE JIANG DELI CONNECTORS CO.,LTD	
.X: ± 0.25	X°: $\pm 3.0^{\circ}$	PRODUCT NAME:	TITLE: 4.14 mm Pitch Wire To Wire Wafer
.XX: ± 0.15	.X°: $\pm 2.0^{\circ}$	DL41401 (FL)-Y	
.XXX: ± 0.01	.XX°: $\pm 1.0^{\circ}$	DR:Yuan Jun Rong	DATE:21/08/01
FINISH:		CHKD: Wu Hui	DATE:21/08/01
DRAWING NO:		APPD:Ren An De	DATE:21/08/01
			SCALE: N/A
			PAGE: 1/2
			UNITS: mm
			REV.: A

REV.	REVISION DESCRIPTION	DATE	APPD



NOTES:

- 1、Rated voltage: 300V AC.DC
 - 2、Rated current: 8A AC.DC
 - 3、Contact resistance: $\leq 20 \text{ m}\Omega$
 - 4、Insulation resistance: $\geq 1000 \text{ M}\Omega$
 - 5、Withstand voltage : 1500V AC/minute
 - 6、Ambient temperature: $-45^{\circ}\text{C} \sim 105^{\circ}\text{C}$
- Materials: Nylon UL94V-0(2)
Green Material RoHS Compliant



Circuit No.1

Circuit No.2

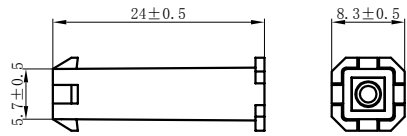
DLL X

MARK

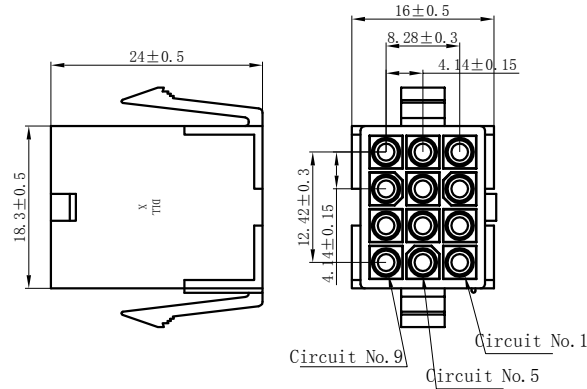
Circuits	Product name	Dimensino (mm)	
		A	B
2X2	FL-4Y	4.14	10.70
2X3	FL-6Y	8.28	14.80
2X4	FL-8Y	12.42	18.90
2X5	FL-10Y	16.56	23.00
2X6	FL-12YN	20.70	27.20
2X7	FL-14Y	24.84	31.30
2X8	FL-16Y	28.98	35.50
2X9	FL-18Y	33.12	39.60
2X10	FL-20Y	37.26	43.70
2X11	FL-22Y	41.40	47.90
2X12	FL-24Y	45.54	52.00

GENERAL TOLERANCES (UNLESS SPECIFIED)		ZHE JIANG DELI CONNECTORS CO.,LTD	
.X: ± 0.25	X°: $\pm 3.0^{\circ}$	PRODUCT NAME:	TITLE: 4.14 mm Pitch Wire To Wire Wafer
.XX: ± 0.15	.X°: $\pm 2.0^{\circ}$	DL41401 (FL)-Y	
.XXX: ± 0.01	.XX°: $\pm 1.0^{\circ}$	DR:Yuan Jun Rong	DATE:21/08/01
FINISH:		CHKD: Wu Hui	DATE:21/08/01
DRAWING NO:		APPD:Ren An De	DATE:21/08/01
		SCALE: N/A	PAGE: 2/2
		UNITS: mm	REV.: A

FL-1R



FL-12R

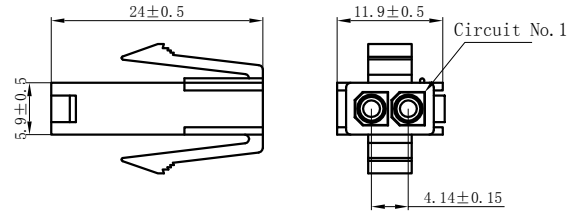


REV.	REVISION DESCRIPTION	DATE	APPD

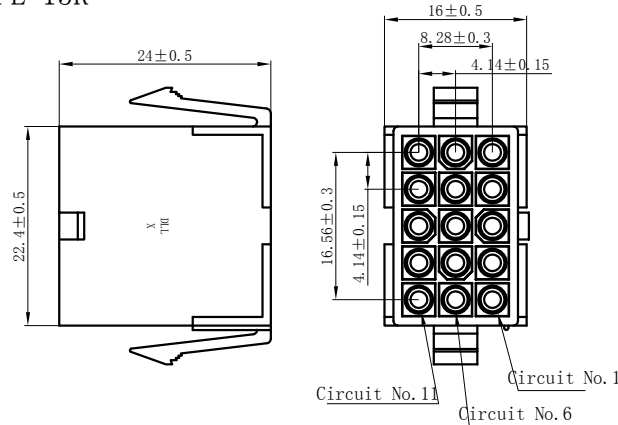
NOTES:

1. Rated voltage: 300V AC.DC
 2. Rated current: 8A AC.DC
 3. Contact resistance: $\leq 20 \text{ m}\Omega$
 4. Insulation resistance: $\geq 1000 \text{ M}\Omega$
 5. Withstand voltage : 1500V AC/minute
 6. Ambient temperature: $-40^{\circ}\text{C} \sim 105^{\circ}\text{C}$
- Materials: Nylon UL94V-0(2)
Green Material RoHS Compliant

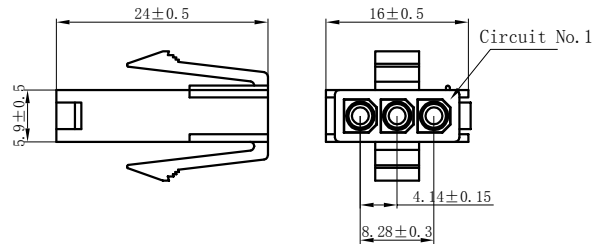
FL-2R



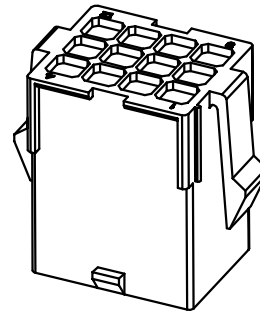
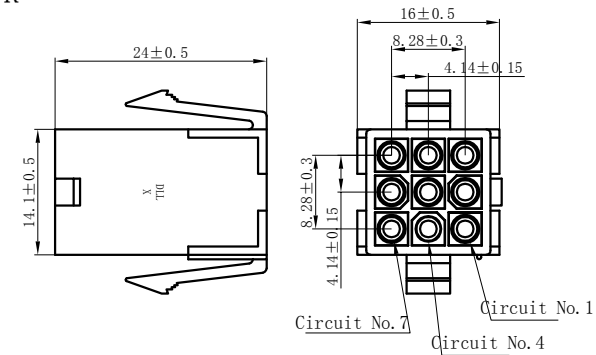
FL-15R



FL-3R

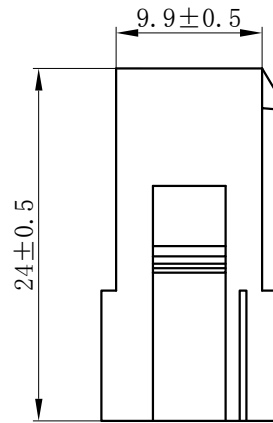
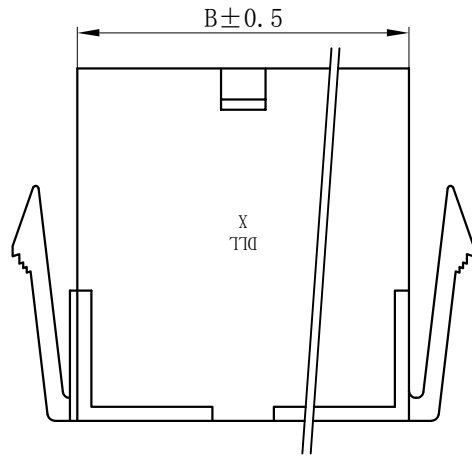


FL-9R



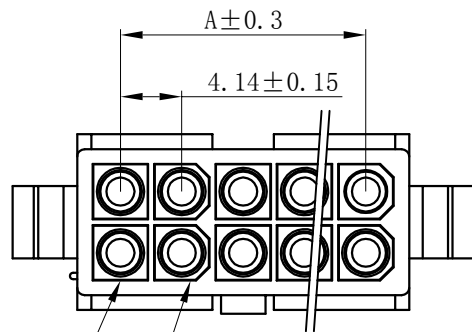
GENERAL TOLERANCES (UNLESS SPECIFIED)		ZHE JIANG DELI CONNECTORS CO., LTD	
.X: ± 0.25	$X^{\circ} : \pm 3.0^{\circ}$	PRODUCT NAME: DL41401 (FL)-R	TITLE: 4.14 mm Pitch Wire To Wire Wafer
.XX: ± 0.15	$.X^{\circ} : \pm 2.0^{\circ}$	DR: Chen Quan Long	DATE: 21/08/01
.XXX: ± 0.01	$.XX^{\circ} : \pm 1.0^{\circ}$	FINISH:	CHKD: Wu Hui
			DATE: 21/08/01
		DRAWING NO:	APPD: Ren An De
			DATE: 21/08/01
		SCALE: N/A	PAGE: 1/2
		UNITS: mm	REV.: A

REV.	REVISION DESCRIPTION	DATE	APPD

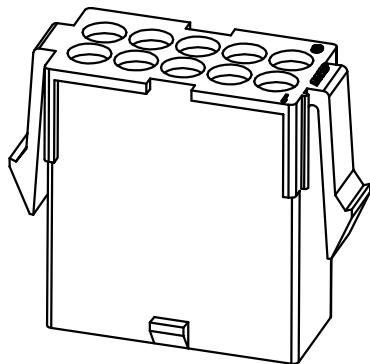


NOTES:

- 1、Rated voltage: 300V AC.DC
 - 2、Rated current: 8A AC.DC
 - 3、Contact resistance: $\leq 20 \text{ m}\Omega$
 - 4、Insulation resistance: $\geq 1000 \text{ M}\Omega$
 - 5、Withstand voltage : 1500V AC/minute
 - 6、Ambient temperature: $-40^{\circ}\text{C} \sim 105^{\circ}\text{C}$
- Materials: Nylon UL94V-0(2)
Green Material RoHS Compliant



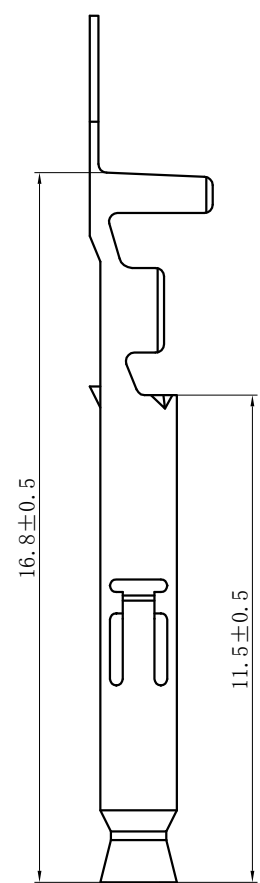
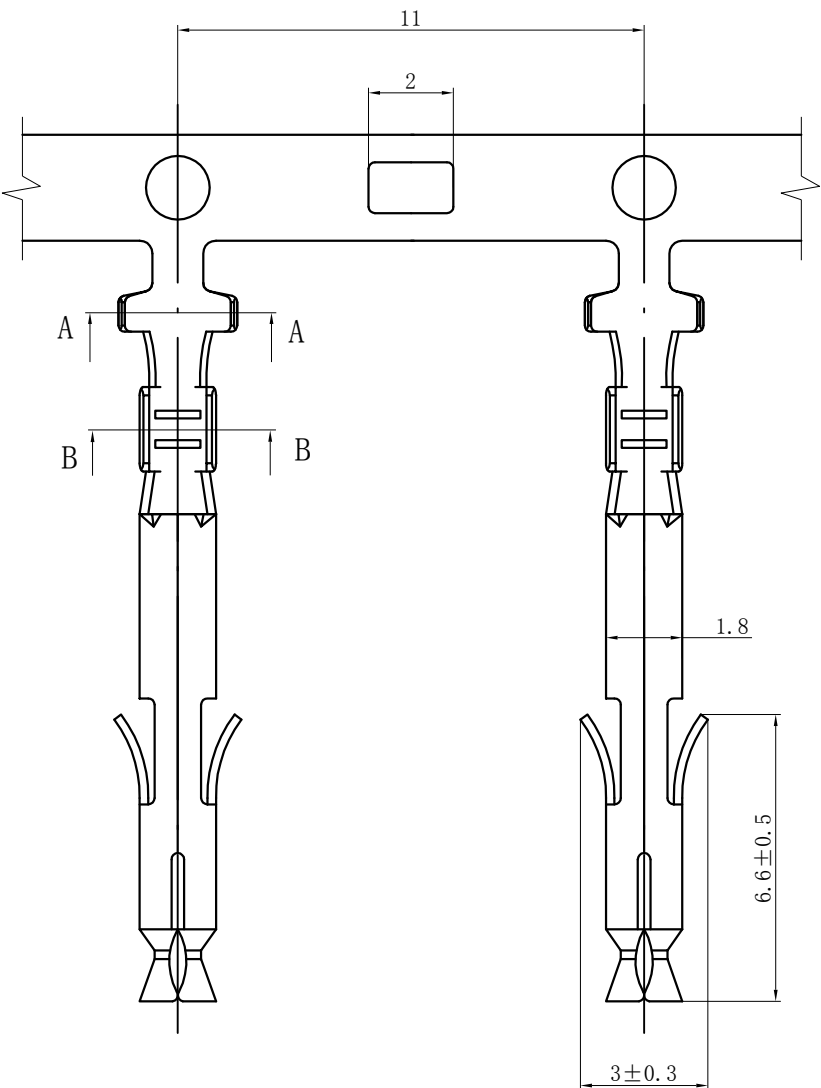
Circuit No.1 Circuit No.2



Circuits	Product name	Dimensino (mm)	
		A	B
2X2	FL-4R	4.14	10.00
2X3	FL-6R	8.28	14.20
2X4	FL-8R	12.42	18.30
2X5	FL-10R	16.56	22.40
2X6	FL-12RN	20.70	26.60
2X7	FL-14R	24.84	30.70
2X8	FL-16R	28.98	34.90
2X9	FL-18R	33.12	39.00
2X10	FL-20R	37.26	43.10
2X11	FL-22R	41.40	47.30
2X12	FL-24R	45.54	51.40

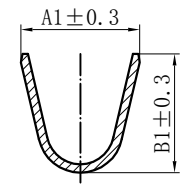
GENERAL TOLERANCES (UNLESS SPECIFIED)		ZHE JIANG DELI CONNECTORS CO., LTD	
.X: ± 0.25	X°: $\pm 3.0^{\circ}$	PRODUCT NAME:	TITLE: 4.14 mm Pitch Wire To Wire Wafer
.XX: ± 0.15	.X°: $\pm 2.0^{\circ}$	DL41401 (FL)-R	PART NO:
.XXX: ± 0.01	.XX°: $\pm 1.0^{\circ}$	DR: Chen Quan Long	DATE: 21/08/01
FINISH:		CHKD: Wu Hui	DATE: 21/08/01
DRAWING NO:	APPD: Ren An De	DATE: 21/08/01	SCALE: N/A PAGE: 2/2
			UNITS: mm REV.: A

REV.	REVISION DESCRIPTION	DATE	APPD

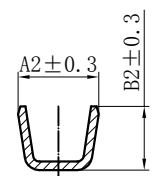


技术特性/Specifications:
 额定电压Rated voltage :300V AC.DC.
 额定电流Rated current :8A AC.DC.
 接触电阻Contact resistance:20mΩ MAX
 绝缘电阻Insulation resistance: 1000 MΩ MIN
 耐压Withstand voltage:1500V AC/minute
 环境温度Ambient temperature: -40℃~+105℃
 适用线规Applicable wires:AWG28#-18#
 材料/Materials:
 端子Terminal:磷青铜, 镀锡Phosphor bronze ,Tin Plated

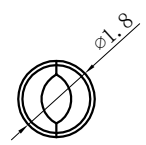
TYPE	Dimension mm				适用线规 AWG#
	A1	B1	A2	B2	
FL-T	3.8	4.3	2.1	2.2	22-18
FL-T-D	2.8	2.8	1.9	1.5	26-24



SECTION A-A



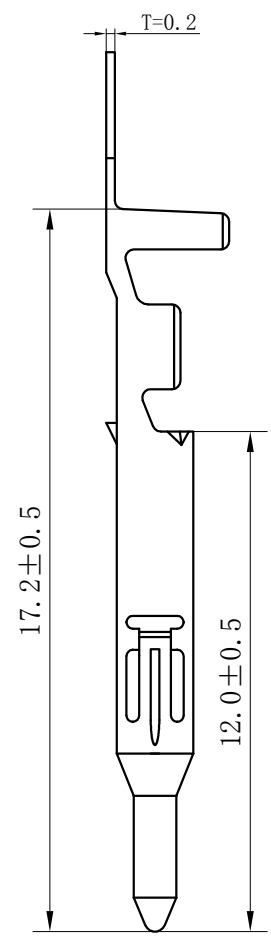
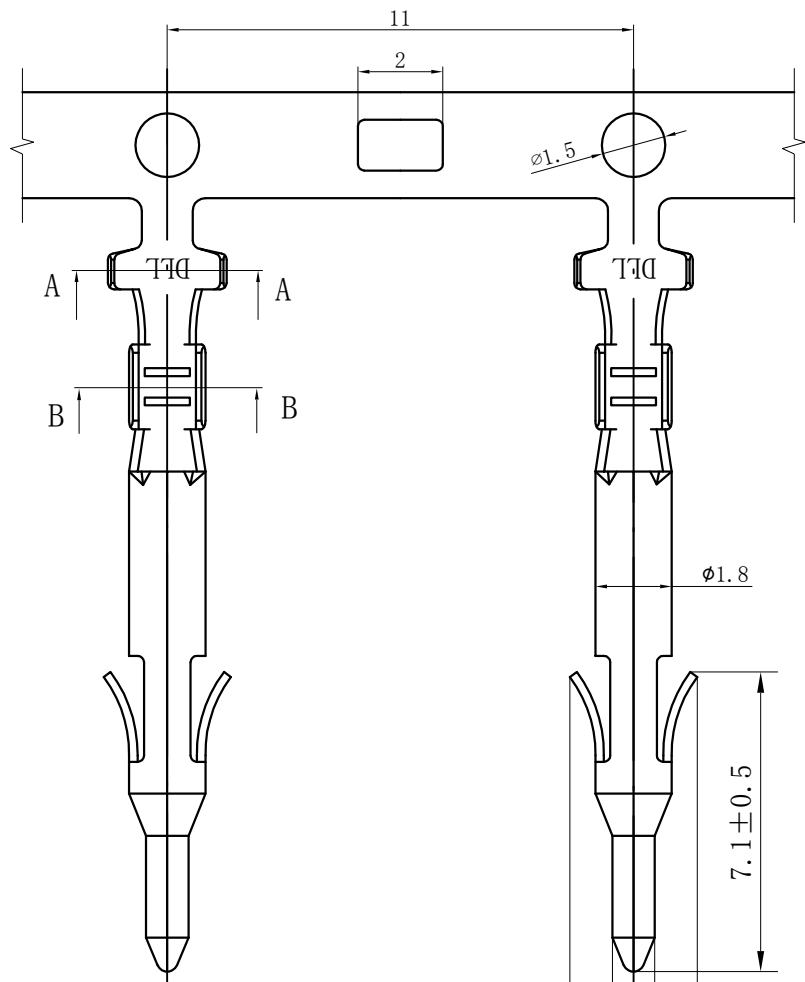
SECTION B-B



SECTION B-B

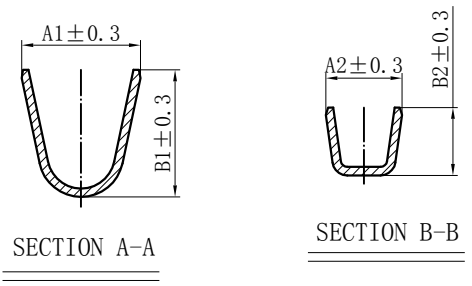
GENERAL TOLERANCES (UNLESS SPECIFIED)		ZHEJIANG DELI CONNECTORS CO., LTD	
.X: ± 0.25	X°: ± 3.0°	PRODUCT NAME: DL41401 (FL)-T	TITLE: 4.14mm Pitch Wire To Wire Crimp Terminal
.XX: ± 0.15	.X°: ± 2.0°	DR: Yuan Jun Rong	DATE:2021.9.27
.XXX: ± 0.01	.XX°: ± 1.0°	CHKD:Wu Hui	DATE:2021.9.27
DRAWING NO:		APPD:Ren An De	DATE:2021.9.27
		SCALE: N/A	PAGE: 1/1
		UNITS: mm	REV.: A

REV.	REVISION DESCRIPTION	DATE	APPD



技术特性/Specifications:
 额定电压Rated voltage :300V AC.DC.
 额定电流Rated current :8A AC.DC.
 接触电阻Contact resistance:20mΩ MAX
 绝缘电阻Insulation resistance: 1000 MΩ MIN
 耐压Withstand voltage:1500V AC/minute
 环境温度Ambient temperature: -40℃~+105℃
 适用线规Applicable wires:AWG28#-18#
 材料/Materials:
 端子Terminal:磷青铜, 镀锡Phosphor bronze ,Tin Plated

TYPE	Dimension mm				适用线规
	A1	B1	A2	B2	AWG#
FL-RT	3.6	4.4	2.2	2.1	22-18
FL-RT-D	2.8	3.0	1.8	1.6	28-22



GENERAL TOLERANCES (UNLESS SPECIFIED)		ZHEJIANG DELI CONNECTORS CO., LTD	
.X: ± 0.25	.X°: ± 3.0°	PRODUCT NAME:	TITLE:
.XX: ± 0.15	.X°: ± 2.0°	DLA1401 (FL)-RT	4.14mm Pitch Wire To Wire Crimp Terminal
.XXX: ± 0.01	.XX°: ± 1.0°	DR: Yuan Jun Rong	DATE:2021.9.27
FINISH:		CHKD:Wu Hui	DATE:2021.9.27
DRAWING NO:		APPD:Ren An De	DATE:2021.9.27
			SCALE: N/A
			PAGE: 1/1
			UNITS: mm
			REV.: A

X-ON Electronics

Largest Supplier of Electrical and Electronic Components

Click to view similar products for [Headers & Wire Housings](#) category:

Click to view products by [DLL](#) manufacturer:

Other Similar products are found below :

[0015917161](#) [0022155065](#) [57102-F02-18ULF](#) [58102-G61-06LF](#) [582553-1](#) [01.001.5753.1](#) [0050291907](#) [02.125.8002.8](#) [609-3404](#) [61062-3](#)
[CSU011177004](#) [622-0430](#) [622-3653LF](#) [63453-116](#) [636-1030](#) [636-1427](#) [636-3427](#) [636-4007](#) [641938-9](#) [65495-038](#) [65692-001LF](#) [65781-018](#)
[65781-047](#) [65817-010LF](#) [65817-015LF](#) [67095-007LF](#) [67601157](#) [68631-112](#) [699319-000](#) [70.362.1628.0](#) [70-4210](#) [70-4226B](#) [70-4853B](#) [707-](#)
[5028](#) [71.350.2428.0](#) [733-134](#) [733-162](#) [760-3052](#) [MHR-64-VUAL](#) [80.063.4001.1](#) [800-90-001-10-001000](#) [801-43-002-10-013000](#)
[801-43-006-10-002000](#) [803-43-024-10-001000](#) [803-93-012-10-001000](#) [8-1437020-4](#) [819-22-004-30-001101](#) [820-22-006-30-001101](#)
[820-22-008-30-001101](#) [821-22-002-10-001101](#)