

**技术特性/Specifications:**

额定电压 Rated voltage: 50V AC, DC  
 额定电流 Rated current: 1A AC, DC  
 接触电阻 Contact resistance: 30mΩ max  
 绝缘电阻 Insulation resistance: 100MΩ min  
 耐压 Withstand voltage: 500V AC/minute  
 环境温度 Ambient temperature: -25°C~+85°C  
 适用线规 Wire range: AWG#30~#26

**标准/Standard:**

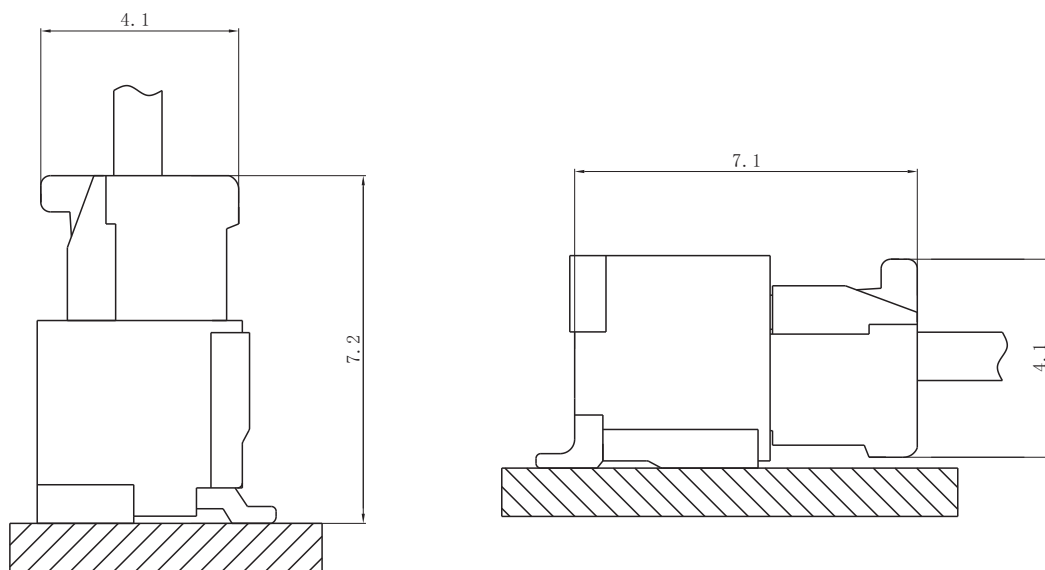


详细参数请咨询:

- E-mail: manager@zjdll.com
- E-mail: technical-support@zjdll.com
- WeChat: 13867778918

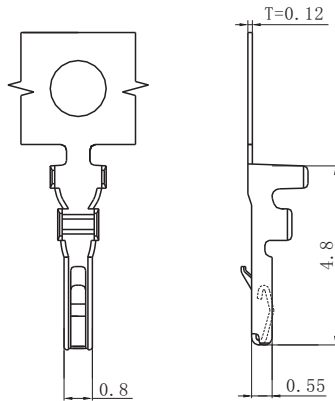
**PC电路板布局和组件布局 PC board layout and Assembly layout**

▣ Assembly layout (装配布局)



上图为连接器安装侧观察图  
 Notes: The above figure is the figure viewed from the connector mounting side.

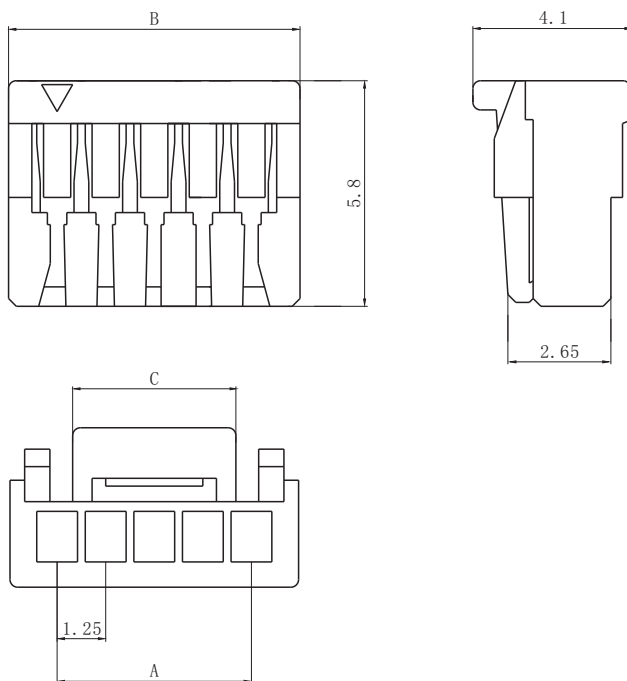
□ DL12503-T (GH-T)



| Model No. (型号)   | Applicable wire (适用线规) |       |                          | Material (材料)         | Plating (电镀)    | Qty/reel (数量/盘) |
|------------------|------------------------|-------|--------------------------|-----------------------|-----------------|-----------------|
|                  | mm <sup>2</sup>        | AWG#  | Insulation O.D. (绝缘外径mm) |                       |                 |                 |
| DL12503-T (GH-T) | 0.032~0.08             | 30~26 | φ 0.7~1.0                | Phosphor bronze (磷青铜) | Tin Plated (镀锡) | 15000           |

符合RoHS标准  
RoHS compliance

□ DL12503-Y (GH-Y)



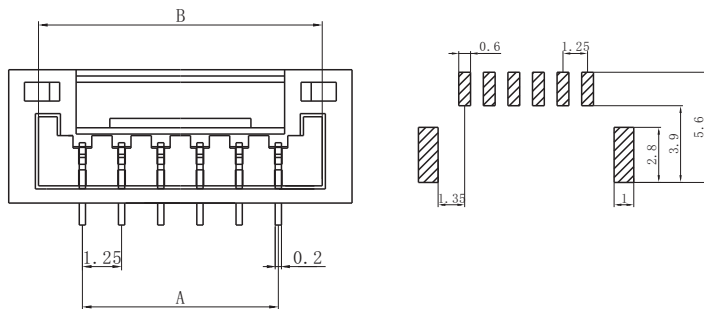
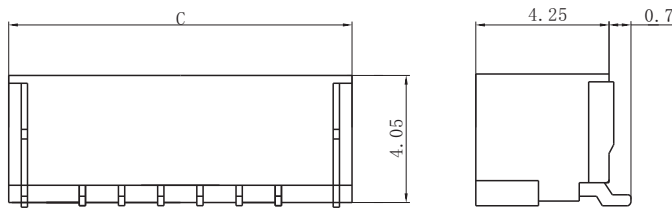
| Circuits (电路) | Dimensions (尺寸mm) |       |      |
|---------------|-------------------|-------|------|
|               | A                 | B     | C    |
| 2             | 1.25              | 3.75  | 2.00 |
| 3             | 2.50              | 5.00  | 3.00 |
| 4             | 3.75              | 6.25  | 4.25 |
| 5             | 5.00              | 7.50  | 4.25 |
| 6             | 6.25              | 8.75  | 6.25 |
| 7             | 7.50              | 10.00 | 6.25 |
| 8             | 8.75              | 11.25 | 6.25 |
| 9             | 10.00             | 12.50 | 6.25 |
| 10            | 11.25             | 13.75 | 8.25 |
| 11            | 12.50             | 15.00 | 8.25 |
| 12            | 13.75             | 16.25 | 8.25 |
| 13            | 15.00             | 17.50 | 8.25 |
| 14            | 16.25             | 18.75 | 8.25 |
| 15            | 17.50             | 20.00 | 8.25 |
| 16            | 18.75             | 21.25 | 8.25 |
| 17            | 20.00             | 22.50 | 8.25 |
| 18            | 21.25             | 23.75 | 8.25 |
| 19            | 22.50             | 25.00 | 8.25 |
| 20            | 23.75             | 26.25 | 8.25 |

Material (材料)

Housing (胶壳): Nylon (尼龙) UL94V-0 (2)

符合RoHS标准  
RoHS compliance

□ DL12503-2-7AB (GH-2-7AB)



| Circuits<br>(电路) | Product name<br>(产品名称) | Dimensions (尺寸mm) |       |       |
|------------------|------------------------|-------------------|-------|-------|
|                  |                        | A                 | B     | C     |
| 2                | GH-2AB                 | 1.25              | 3.85  | 5.75  |
| 3                | GH-3AB                 | 2.50              | 5.10  | 7.00  |
| 4                | GH-4AB                 | 3.75              | 6.35  | 8.25  |
| 5                | GH-5AB                 | 5.00              | 7.60  | 9.50  |
| 6                | GH-6AB                 | 6.25              | 8.85  | 10.75 |
| 7                | GH-7AB                 | 7.50              | 10.10 | 12.00 |

Material (材料)

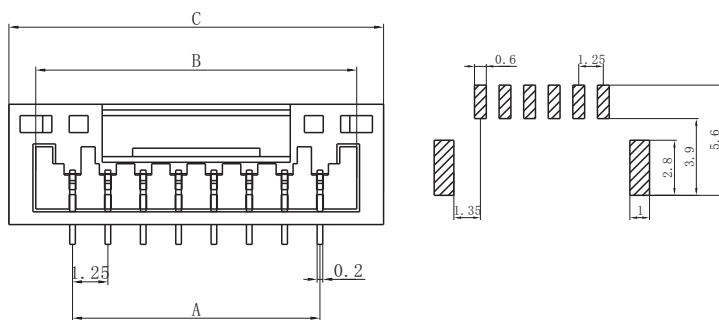
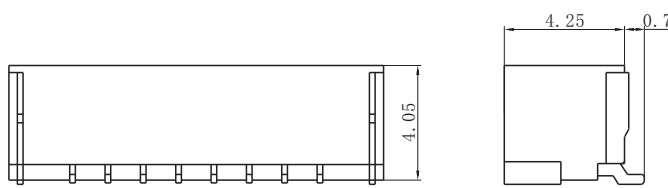
Housing (胶壳): LCP UL94V-0

Wafer (接触件): Phosphor bronze (磷青铜)/Tin plated (镀锡)

Solder tabs (焊片): Brass (黄铜)/Tin plated (镀锡)

符合RoHS标准  
RoHS compliance

□ DL12503-8-20AB (GH-8-20AB)



| Circuits<br>(电路) | Product name<br>(产品名称) | Dimensions (尺寸mm) |       |       |
|------------------|------------------------|-------------------|-------|-------|
|                  |                        | A                 | B     | C     |
| 8                | GH-8AB                 | 8.75              | 11.35 | 13.25 |
| 9                | GH-9AB                 | 10.00             | 12.60 | 14.50 |
| 10               | GH-10AB                | 11.25             | 13.85 | 15.75 |
| 11               | GH-11AB                | 12.50             | 15.10 | 17.00 |
| 12               | GH-12AB                | 13.75             | 16.35 | 18.25 |
| 13               | GH-13AB                | 15.00             | 17.60 | 19.50 |
| 14               | GH-14AB                | 16.25             | 18.85 | 20.75 |
| 15               | GH-15AB                | 17.50             | 20.10 | 22.00 |
| 16               | GH-16AB                | 18.75             | 21.35 | 23.25 |
| 17               | GH-17AB                | 20.00             | 22.60 | 24.50 |
| 18               | GH-18AB                | 21.25             | 23.85 | 25.75 |
| 19               | GH-19AB                | 22.50             | 25.10 | 27.00 |
| 20               | GH-20AB                | 23.75             | 26.35 | 28.25 |

Material (材料)

Housing (胶壳): LCP UL94V-0

Wafer (接触件): Phosphor bronze (磷青铜)/Tin plated (镀锡)

Solder tabs (焊片): Brass (黄铜)/Tin plated (镀锡)

符合RoHS标准  
RoHS compliance

□ DL12503-2-7AWB (GH-2-7AWB)



| Circuits<br>(电路) | Product name<br>(产品名称) | Dimensions (尺寸mm) |       |       |
|------------------|------------------------|-------------------|-------|-------|
|                  |                        | A                 | B     | C     |
| 2                | GH-2AWB                | 1.25              | 3.85  | 5.75  |
| 3                | GH-3AWB                | 2.50              | 5.10  | 7.00  |
| 4                | GH-4AWB                | 3.75              | 6.35  | 8.25  |
| 5                | GH-5AWB                | 5.00              | 7.60  | 9.50  |
| 6                | GH-6AWB                | 6.25              | 8.85  | 10.75 |
| 7                | GH-7AWB                | 7.50              | 10.10 | 12.00 |

Material (材料)

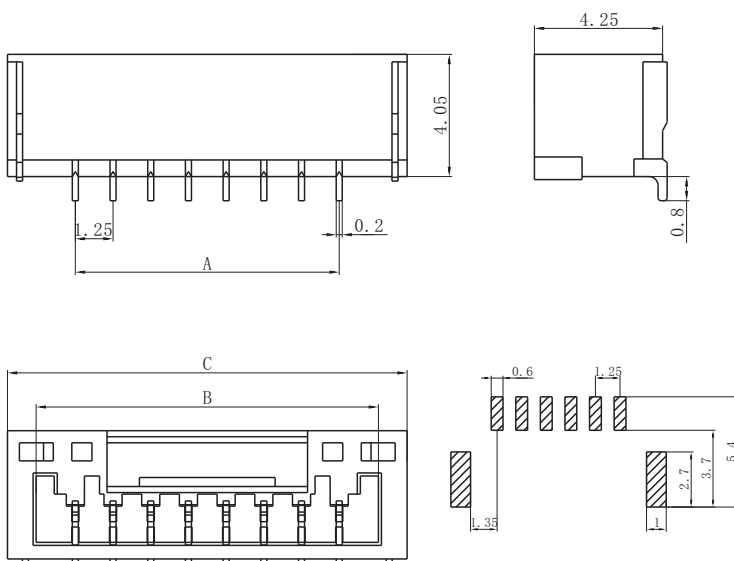
Housing (胶壳): LCP UL94V-0

Wafer (接触件): Phosphor bronze (磷青铜)/Tin plated (镀锡)

Solder tabs (焊片): Brass (黄铜)/Tin plated (镀锡)

符合RoHS标准  
RoHS compliance

□ DL12503-8-20AWB (GH-8-20AWB)



| Circuits<br>(电路) | Product name<br>(产品名称) | Dimensions (尺寸mm) |       |       |
|------------------|------------------------|-------------------|-------|-------|
|                  |                        | A                 | B     | C     |
| 8                | GH-8AWB                | 8.75              | 11.35 | 13.25 |
| 9                | GH-9AWB                | 10.00             | 12.60 | 14.50 |
| 10               | GH-10AWB               | 11.25             | 13.85 | 15.75 |
| 11               | GH-11AWB               | 12.50             | 15.10 | 17.00 |
| 12               | GH-12AWB               | 13.75             | 16.35 | 18.25 |
| 13               | GH-13AWB               | 15.00             | 17.60 | 19.50 |
| 14               | GH-14AWB               | 16.25             | 18.85 | 20.75 |
| 15               | GH-15AWB               | 17.50             | 20.10 | 22.00 |
| 16               | GH-16AWB               | 18.75             | 21.35 | 23.25 |
| 17               | GH-17AWB               | 20.00             | 22.60 | 24.50 |
| 18               | GH-18AWB               | 21.25             | 23.85 | 25.75 |
| 19               | GH-19AWB               | 22.50             | 25.10 | 27.00 |
| 20               | GH-20AWB               | 23.75             | 26.35 | 28.25 |

Material (材料)

Housing (胶壳): LCP UL94V-0

Wafer (接触件): Phosphor bronze (磷青铜)/Tin plated (镀锡)

Solder tabs (焊片): Brass (黄铜)/Tin plated (镀锡)

符合RoHS标准  
RoHS compliance

## X-ON Electronics

Largest Supplier of Electrical and Electronic Components

*Click to view similar products for [Headers & Wire Housings](#) category:*

*Click to view products by [DLL](#) manufacturer:*

Other Similar products are found below :

[0015917161](#) [0022155065](#) [57102-F02-18ULF](#) [58102-G61-06LF](#) [582553-1](#) [01.001.5753.1](#) [0050291907](#) [02.125.8002.8](#) [609-3404](#) [61062-3](#)  
[CSU011177004](#) [622-0430](#) [622-3653LF](#) [63453-116](#) [636-1030](#) [636-1427](#) [636-3427](#) [636-4007](#) [641938-9](#) [65495-038](#) [65692-001LF](#) [65781-018](#)  
[65781-047](#) [65817-010LF](#) [65817-015LF](#) [67095-007LF](#) [67601157](#) [68631-112](#) [68645-018](#) [699319-000](#) [70.362.1628.0](#) [70-4210](#) [70-4226B](#) [70-](#)  
[4853B](#) [71.350.2428.0](#) [733-134](#) [733-162](#) [760-3052](#) [MHR-64-VUAL](#) [80.063.4001.1](#) [800-90-001-10-001000](#) [801-43-002-10-013000](#)  
[801-43-006-10-002000](#) [803-43-024-10-001000](#) [803-93-012-10-001000](#) [8-1437020-4](#) [819-22-004-30-001101](#) [820-22-006-30-001101](#)  
[820-22-008-30-001101](#) [821-22-002-10-001101](#)