

技术特性/Specifications:

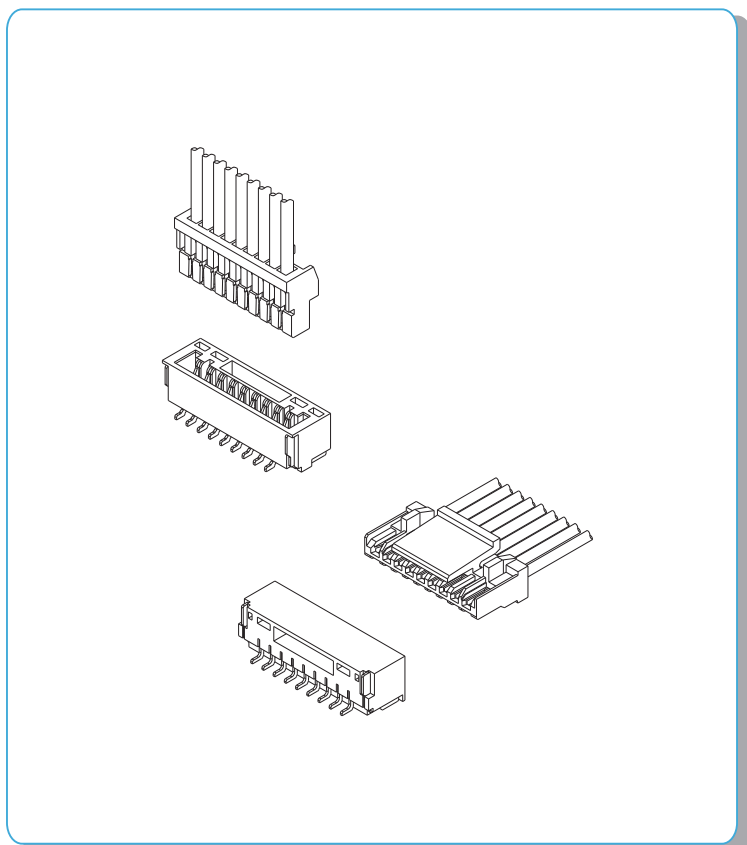
额定电压 Rated voltage: 50V AC, DC
 额定电流 Rated current: 1A AC, DC
 接触电阻 Contact resistance: 30mΩ max
 绝缘电阻 Insulation resistance: 100MΩ min
 耐压 Withstand voltage: 500V AC/minute
 环境温度 Ambient temperature: -25°C~+85°C
 适用线规 Wire range: AWG#30~#26

标准/Standard:



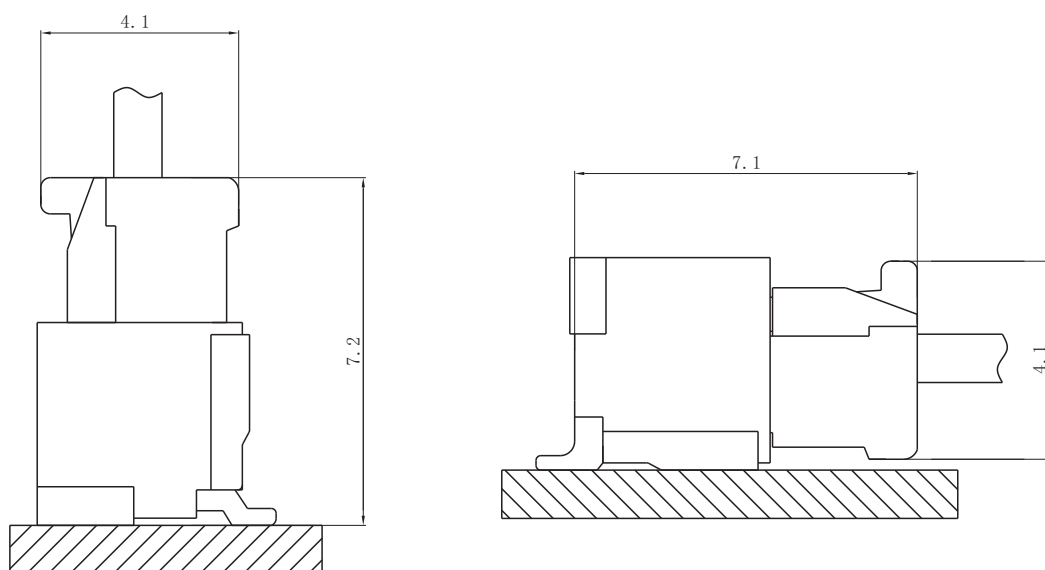
详细参数请咨询:

- E-mail: manager@zjdll.com
- E-mail: technical-support@zjdll.com
- WeChat: 13867778918



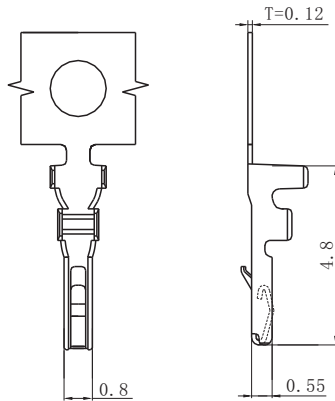
PC电路板布局和组件布局 PC board layout and Assembly layout

▣ Assembly layout (装配布局)



上图为连接器安装侧观察图
 Notes: The above figure is the figure viewed from the connector mounting side.

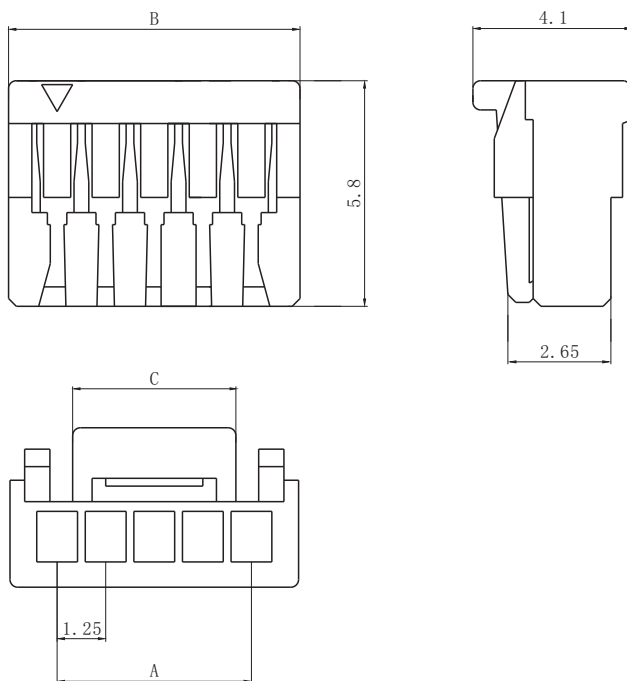
□ DL12503-T (GH-T)



Model No. (型号)	Applicable wire (适用线规)			Material (材料)	Plating (电镀)	Qty/reel (数量/盘)
	mm ²	AWG#	Insulation O.D. (绝缘外径mm)			
DL12503-T (GH-T)	0.032~0.08	30~26	φ 0.7~1.0	Phosphor bronze (磷青铜)	Tin Plated (镀锡)	15000

符合RoHS标准
RoHS compliance

□ DL12503-Y (GH-Y)



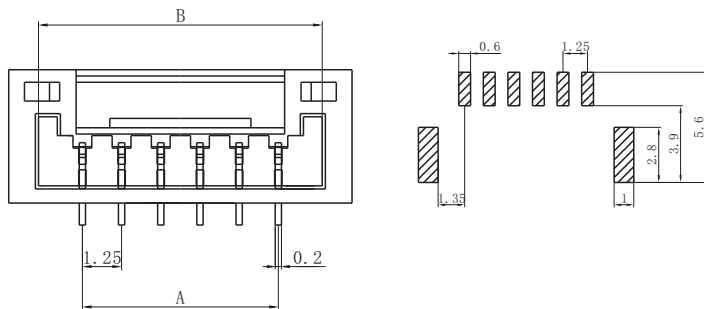
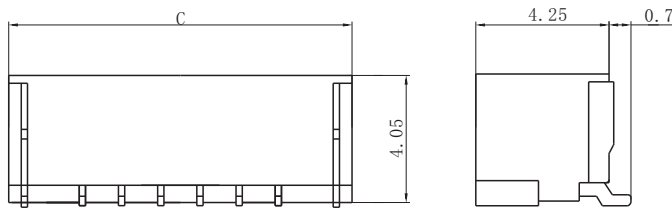
Circuits (电路)	Dimensions (尺寸mm)		
	A	B	C
2	1.25	3.75	2.00
3	2.50	5.00	3.00
4	3.75	6.25	4.25
5	5.00	7.50	4.25
6	6.25	8.75	6.25
7	7.50	10.00	6.25
8	8.75	11.25	6.25
9	10.00	12.50	6.25
10	11.25	13.75	8.25
11	12.50	15.00	8.25
12	13.75	16.25	8.25
13	15.00	17.50	8.25
14	16.25	18.75	8.25
15	17.50	20.00	8.25
16	18.75	21.25	8.25
17	20.00	22.50	8.25
18	21.25	23.75	8.25
19	22.50	25.00	8.25
20	23.75	26.25	8.25

Material (材料)

Housing (胶壳): Nylon (尼龙) UL94V-0 (2)

符合RoHS标准
RoHS compliance

□ DL12503-2-7AB (GH-2-7AB)



Circuits (电路)	Product name (产品名称)	Dimensions (尺寸mm)		
		A	B	C
2	GH-2AB	1.25	3.85	5.75
3	GH-3AB	2.50	5.10	7.00
4	GH-4AB	3.75	6.35	8.25
5	GH-5AB	5.00	7.60	9.50
6	GH-6AB	6.25	8.85	10.75
7	GH-7AB	7.50	10.10	12.00

Material (材料)

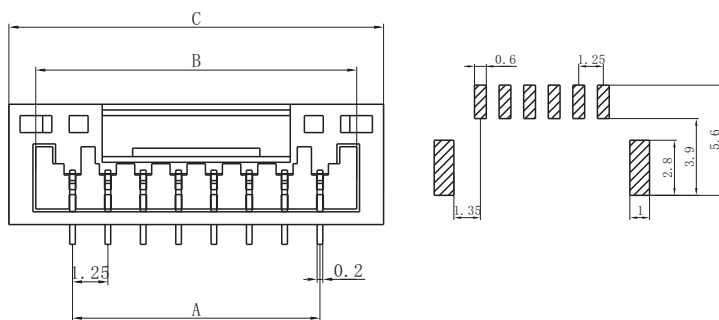
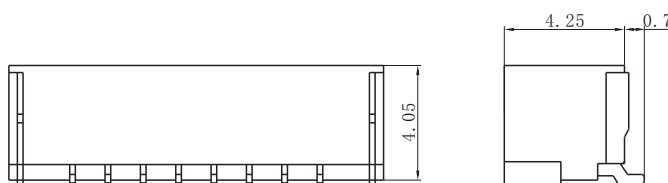
Housing (胶壳): LCP UL94V-0

Wafer (接触件): Phosphor bronze (磷青铜)/Tin plated (镀锡)

Solder tabs (焊片): Brass (黄铜)/Tin plated (镀锡)

符合RoHS标准
RoHS compliance

□ DL12503-8-20AB (GH-8-20AB)



Circuits (电路)	Product name (产品名称)	Dimensions (尺寸mm)		
		A	B	C
8	GH-8AB	8.75	11.35	13.25
9	GH-9AB	10.00	12.60	14.50
10	GH-10AB	11.25	13.85	15.75
11	GH-11AB	12.50	15.10	17.00
12	GH-12AB	13.75	16.35	18.25
13	GH-13AB	15.00	17.60	19.50
14	GH-14AB	16.25	18.85	20.75
15	GH-15AB	17.50	20.10	22.00
16	GH-16AB	18.75	21.35	23.25
17	GH-17AB	20.00	22.60	24.50
18	GH-18AB	21.25	23.85	25.75
19	GH-19AB	22.50	25.10	27.00
20	GH-20AB	23.75	26.35	28.25

Material (材料)

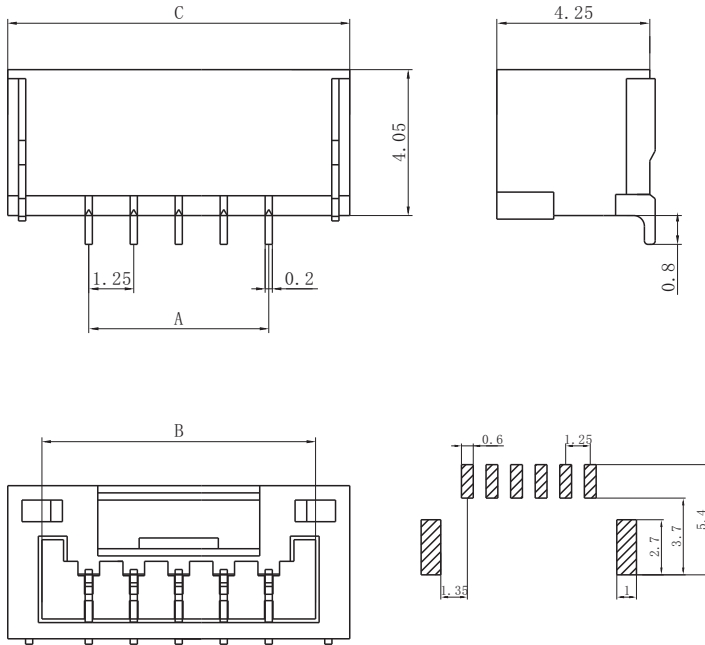
Housing (胶壳): LCP UL94V-0

Wafer (接触件): Phosphor bronze (磷青铜)/Tin plated (镀锡)

Solder tabs (焊片): Brass (黄铜)/Tin plated (镀锡)

符合RoHS标准
RoHS compliance

□ DL12503-2-7AWB (GH-2-7AWB)



Circuits (电路)	Product name (产品名称)	Dimensions (尺寸mm)		
		A	B	C
2	GH-2AWB	1.25	3.85	5.75
3	GH-3AWB	2.50	5.10	7.00
4	GH-4AWB	3.75	6.35	8.25
5	GH-5AWB	5.00	7.60	9.50
6	GH-6AWB	6.25	8.85	10.75
7	GH-7AWB	7.50	10.10	12.00

Material (材料)

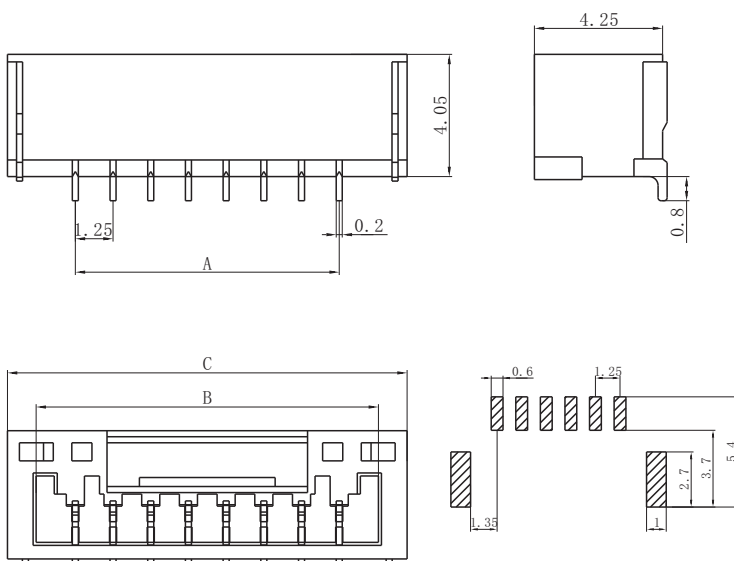
Housing (胶壳): LCP UL94V-0

Wafer (接触件): Phosphor bronze (磷青铜)/Tin plated (镀锡)

Solder tabs (焊片): Brass (黄铜)/Tin plated (镀锡)

符合RoHS标准
RoHS compliance

□ DL12503-8-20AWB (GH-8-20AWB)



Circuits (电路)	Product name (产品名称)	Dimensions (尺寸mm)		
		A	B	C
8	GH-8AWB	8.75	11.35	13.25
9	GH-9AWB	10.00	12.60	14.50
10	GH-10AWB	11.25	13.85	15.75
11	GH-11AWB	12.50	15.10	17.00
12	GH-12AWB	13.75	16.35	18.25
13	GH-13AWB	15.00	17.60	19.50
14	GH-14AWB	16.25	18.85	20.75
15	GH-15AWB	17.50	20.10	22.00
16	GH-16AWB	18.75	21.35	23.25
17	GH-17AWB	20.00	22.60	24.50
18	GH-18AWB	21.25	23.85	25.75
19	GH-19AWB	22.50	25.10	27.00
20	GH-20AWB	23.75	26.35	28.25

Material (材料)

Housing (胶壳): LCP UL94V-0

Wafer (接触件): Phosphor bronze (磷青铜)/Tin plated (镀锡)

Solder tabs (焊片): Brass (黄铜)/Tin plated (镀锡)

符合RoHS标准
RoHS compliance

X-ON Electronics

Largest Supplier of Electrical and Electronic Components

Click to view similar products for [Headers & Wire Housings](#) category:

Click to view products by [DLL](#) manufacturer:

Other Similar products are found below :

[0015917161](#) [0022155065](#) [57102-F02-18ULF](#) [58102-G61-06LF](#) [582553-1](#) [01.001.5753.1](#) [0050291907](#) [02.125.8002.8](#) [609-3404](#) [61062-3](#)
[CSU011177004](#) [622-0430](#) [622-3653LF](#) [63453-116](#) [636-1030](#) [636-1427](#) [636-3427](#) [636-4007](#) [641938-9](#) [65495-038](#) [65692-001LF](#) [65781-018](#)
[65781-047](#) [65817-010LF](#) [65817-015LF](#) [67095-007LF](#) [67601157](#) [68631-112](#) [68645-018](#) [699319-000](#) [70.362.1628.0](#) [70-4210](#) [70-4226B](#) [70-](#)
[4853B](#) [71.350.2428.0](#) [733-134](#) [733-162](#) [760-3052](#) [MHR-64-VUAL](#) [80.063.4001.1](#) [800-90-001-10-001000](#) [801-43-002-10-013000](#)
[801-43-006-10-002000](#) [803-43-024-10-001000](#) [803-93-012-10-001000](#) [8-1437020-4](#) [819-22-004-30-001101](#) [820-22-006-30-001101](#)
[820-22-008-30-001101](#) [821-22-002-10-001101](#)