

技术特性/Specifications:

额定电压 Rated voltage: 50V AC, DC
额定电流 Rated current: 1.25A AC, DC
接触电阻 Contact resistance: 50m Ω max
绝缘电阻 Insulation resistance: 100M Ω min
耐压 Withstand voltage: 500V AC/minute
环境温度 Ambient temperature: -40 $^{\circ}$ C~+105 $^{\circ}$ C
适用线规 Wire range: AWG#32~#28

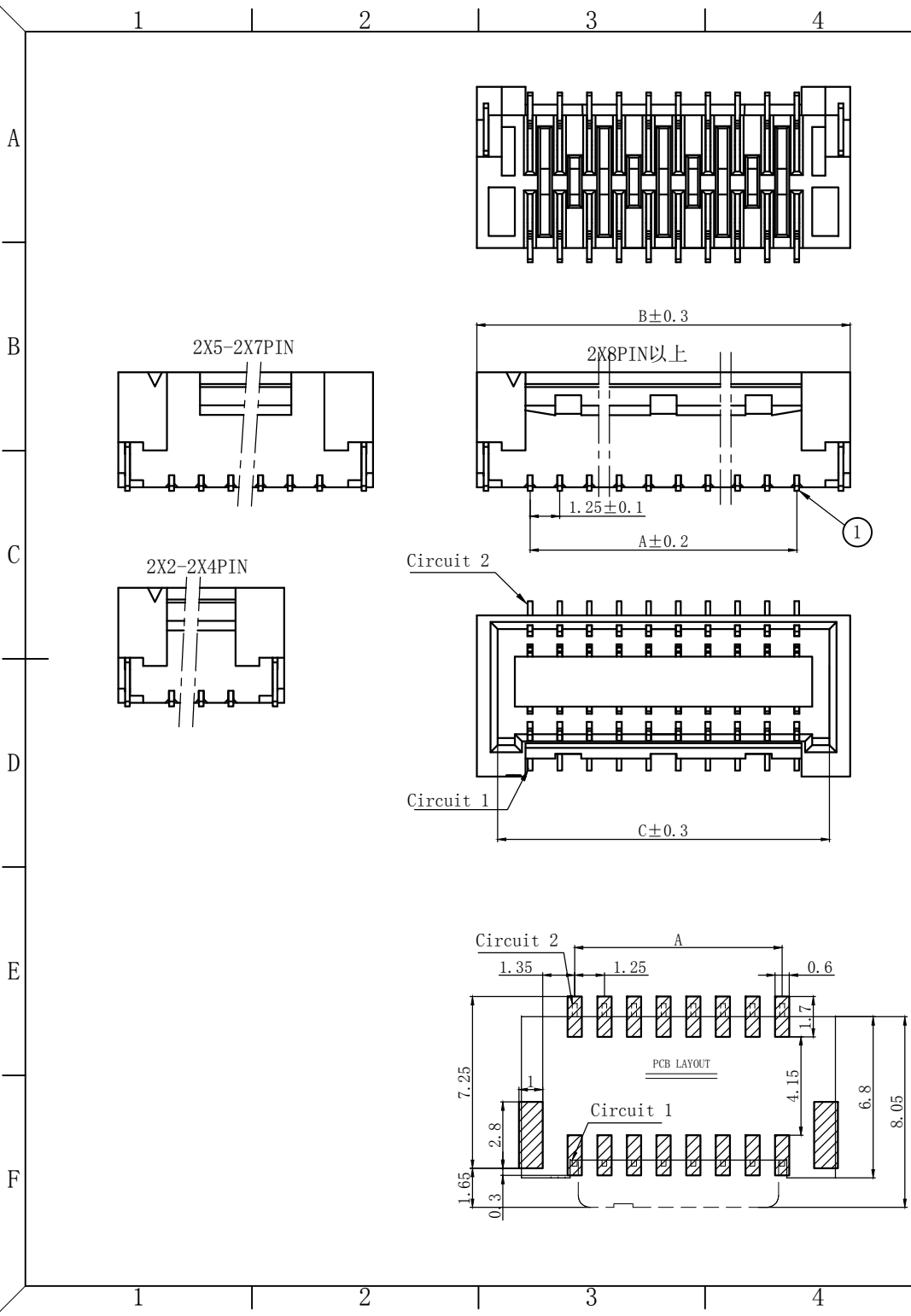
REV.	REVISION DESCRIPTION	DATE	APPD

技术特性/Specifications:
 额定电压Rated voltage : 50V AC.DC.
 额定电流Rated current : 1.25A AC.DC.
 接触电阻Contact resistance: 50mΩ MAX
 绝缘电阻Insulation resistance: 100 MΩ MIN
 耐压Withstand voltage: 500V AC/minute
 环境温度Ambient temperature: -40℃~+105℃
 针座Wafer:LCP UL94V-0

3	③	基座	LCP	1	UL94V-0
2	②	焊片	黄铜	2	镀锡
1	①	接触件	磷青铜	N	镀锡
序号	图号	名称	材料	数量	附件

Circuits	Product name	Dimension mm			Circuits	Product name	Dimension mm		
		A	B	C			A	B	C
2X2	GHD-4AB	1.25	5.75	4.00	2X12	GHD-24AB	13.75	18.25	16.50
2X3	GHD-6AB	2.50	7.00	5.25	2X13	GHD-26AB	15.00	19.50	17.75
2X4	GHD-8AB	3.75	8.25	6.50	2X14	GHD-28AB	16.25	20.75	19.00
2X5	GHD-10AB	5.00	9.50	7.75	2X15	GHD-30AB	17.50	22.00	20.25
2X6	GHD-12AB	6.25	10.75	9.00	2X16	GHD-32AB	18.75	23.25	21.50
2X7	GHD-14AB	7.50	12.00	10.25	2X17	GHD-34AB	20.00	24.50	22.75
2X8	GHD-16AB	8.75	13.25	11.50	2X18	GHD-36AB	21.25	25.75	24.00
2X9	GHD-18AB	10.00	14.50	12.75	2X19	GHD-38AB	22.50	27.00	25.25
2X10	GHD-20AB	11.25	15.75	14.00	2X20	GHD-40AB	23.75	28.25	26.50
2X11	GHD-22AB	12.50	17.00	15.25					

GENERAL TOLERANCES (UNLESS SPECIFIED)		ZHE JIANG DELI CONNECTORS CO.,LTD	
.X: ± 0.25	X°: ± 3.0°	PRODUCT NAME: DL12512 (GHD)-AB	TITLE: 1.25 mm Pitch Wire To Board Wafer
.XX: ± 0.15	.X°: ± 2.0°	DR:Chen QuanLong	DATE:22/11/30
.XXX: ± 0.01	.XX°: ± 1.0°	CHKD:Wu Hui	DATE:22/11/30
FINISH:		APPD:Ren AnDe	DATE:22/11/30
DRAWING NO:			
		SCALE: N/A	PAGE: 1/1
		UNITS: mm	REV.: A



A
B
C
D
E
F

A
B
C
D
E
F

1 2 3 4 5 6 7 8

1 2 3 4 5 6 7 8

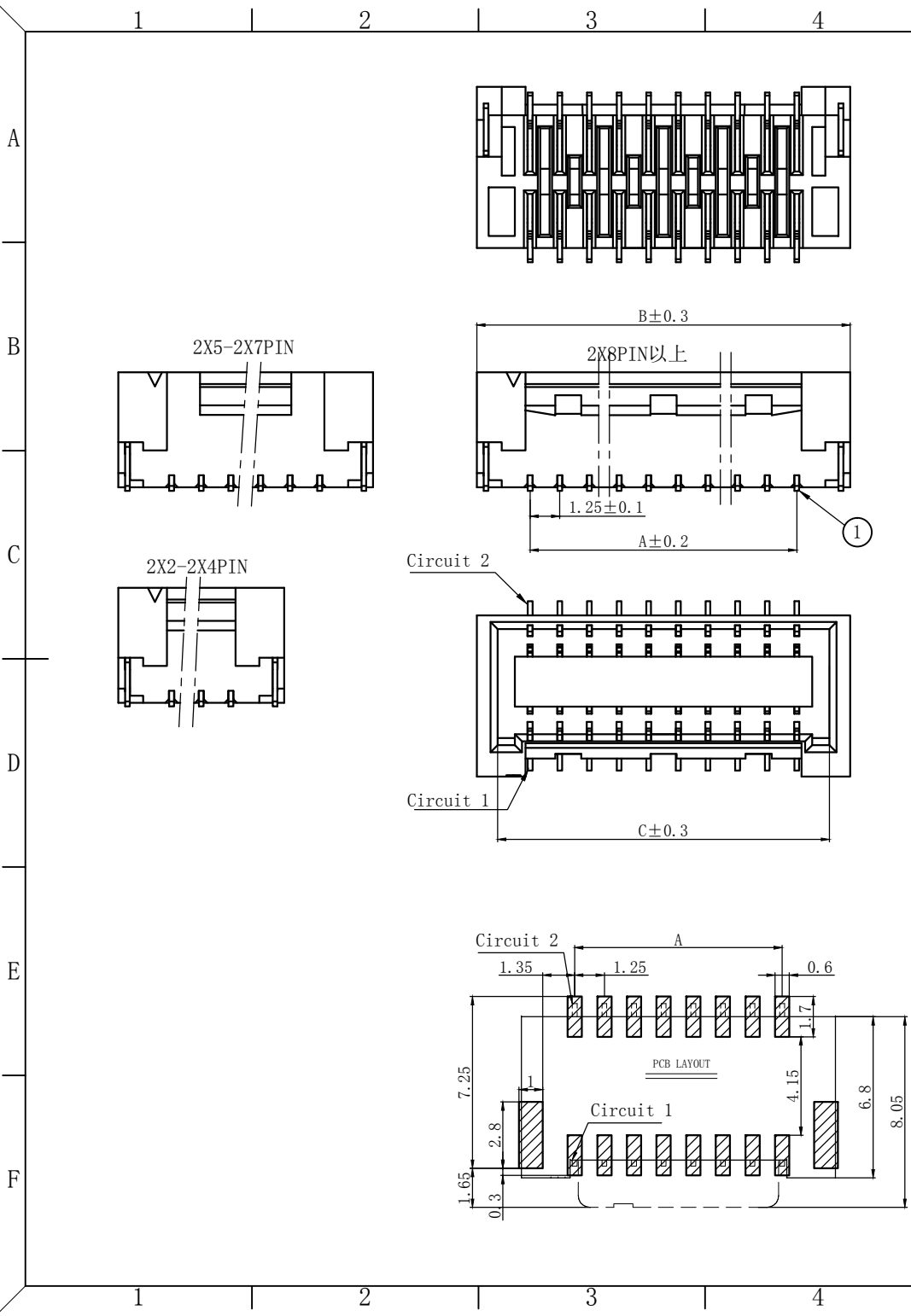
REV.	REVISION DESCRIPTION	DATE	APPD

技术特性/Specifications:
 额定电压Rated voltage : 50V AC.DC.
 额定电流Rated current : 1.25A AC.DC.
 接触电阻Contact resistance: 50mΩ MAX
 绝缘电阻Insulation resistance: 100 MΩ MIN
 耐压Withstand voltage: 500V AC/minute
 环境温度Ambient temperature: -40℃~+105℃
 针座Wafer:LCP UL94V-0

3	③	基座	LCP	1	UL94V-0
2	②	焊片	黄铜	2	镀锡
1	①	接触件	磷青铜	N	镀金
序号	图号	名称	材料	数量	附件

Circuits	Product name	Dimension mm			Circuits	Product name	Dimension mm		
		A	B	C			A	B	C
2X2	GHD-4AB-GOLD	1.25	5.75	4.00	2X12	GHD-24AB-GOLD	13.75	18.25	16.50
2X3	GHD-6AB-GOLD	2.50	7.00	5.25	2X13	GHD-26AB-GOLD	15.00	19.50	17.75
2X4	GHD-8AB-GOLD	3.75	8.25	6.50	2X14	GHD-28AB-GOLD	16.25	20.75	19.00
2X5	GHD-10AB-GOLD	5.00	9.50	7.75	2X15	GHD-30AB-GOLD	17.50	22.00	20.25
2X6	GHD-12AB-GOLD	6.25	10.75	9.00	2X16	GHD-32AB-GOLD	18.75	23.25	21.50
2X7	GHD-14AB-GOLD	7.50	12.00	10.25	2X17	GHD-34AB-GOLD	20.00	24.50	22.75
2X8	GHD-16AB-GOLD	8.75	13.25	11.50	2X18	GHD-36AB-GOLD	21.25	25.75	24.00
2X9	GHD-18AB-GOLD	10.00	14.50	12.75	2X19	GHD-38AB-GOLD	22.50	27.00	25.25
2X10	GHD-20AB-GOLD	11.25	15.75	14.00	2X20	GHD-40AB-GOLD	23.75	28.25	26.50
2X11	GHD-22AB-GOLD	12.50	17.00	15.25					

GENERAL TOLERANCES (UNLESS SPECIFIED)		ZHE JIANG DELI CONNECTORS CO., LTD	
.X: ± 0.25	X°: ± 3.0°	PRODUCT NAME: DL12512 (GHD)-AB-GOLD	TITLE: 1.25 mm Pitch Wire To Board Wafer
.XX: ± 0.15	.X°: ± 2.0°	DR:Chen QuanLong	DATE:22/11/30
.XXX: ± 0.01	.XX°: ± 1.0°	CHKD:Wu Hui	DATE:22/11/30
FINISH: _____		APPD:Ren AnDe	DATE:22/11/30
DRAWING NO:			
		SCALE: N/A	PAGE: 1/1
		UNITS: mm	REV.: A

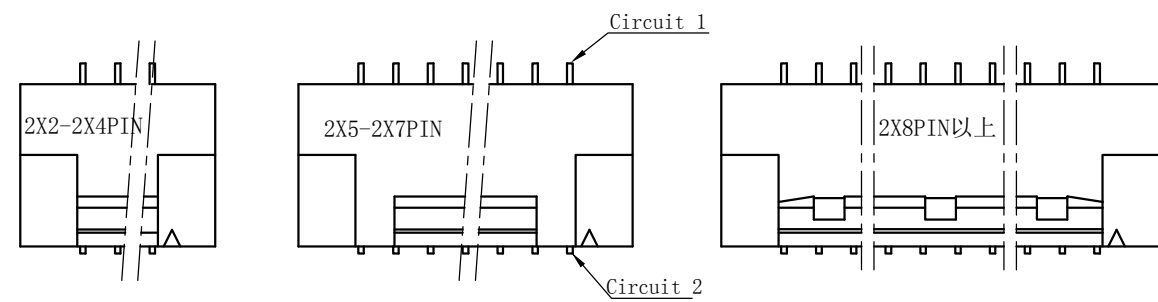
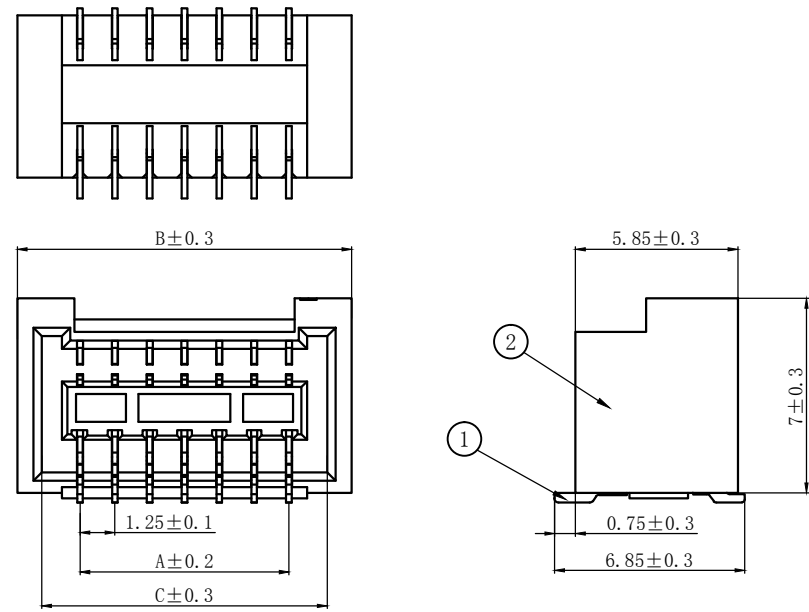


REV.	REVISION DESCRIPTION	DATE	APPD

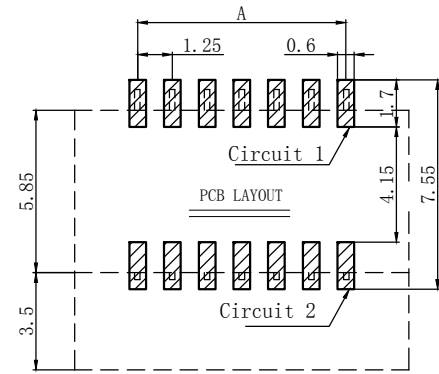
技术特性/Specifications:

额定电压Rated voltage : 50V AC.DC.
 额定电流Rated current : 1.25A AC.DC.
 接触电阻Contact resistance: 50mΩ MAX
 绝缘电阻Insulation resistance: 100 MΩ MIN
 耐压Withstand voltage: 500V AC/minute
 环境温度Ambient temperature: -40℃~+105℃
 针座Wafer:LCP UL94V-0

2	②	基座	LCP	1	UL94V-0
1	①	接触件	磷青铜	N	镀锡
序号	图号	名称	材料	数量	附件



Circuits	Product name	Dimension mm			Circuits	Product name	Dimension mm		
		A	B	C			A	B	C
2X2	GHD-4AWB	1.25	5.75	4.00	2X12	GHD-24AWB	13.75	18.25	16.50
2X3	GHD-6AWB	2.50	7.00	5.25	2X13	GHD-26AWB	15.00	19.50	17.75
2X4	GHD-8AWB	3.75	8.25	6.50	2X14	GHD-28AWB	16.25	20.75	19.00
2X5	GHD-10AWB	5.00	9.50	7.75	2X15	GHD-30AWB	17.50	22.00	20.25
2X6	GHD-12AWB	6.25	10.75	9.00	2X16	GHD-32AWB	18.75	23.25	21.50
2X7	GHD-14AWB	7.50	12.00	10.25	2X17	GHD-34AWB	20.00	24.50	22.75
2X8	GHD-16AWB	8.75	13.25	11.50	2X18	GHD-36AWB	21.25	25.75	24.00
2X9	GHD-18AWB	10.00	14.50	12.75	2X19	GHD-38AWB	22.50	27.00	25.25
2X10	GHD-20AWB	11.25	15.75	14.00	2X20	GHD-40AWB	23.75	28.25	26.50
2X11	GHD-22AWB	12.50	17.00	15.25					

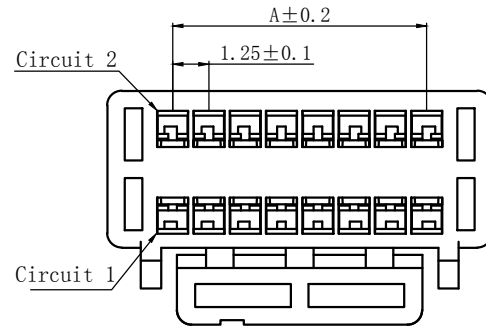
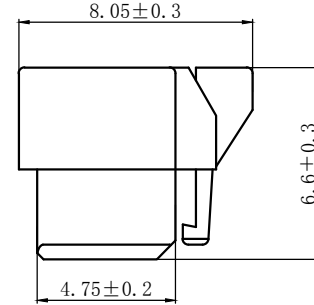
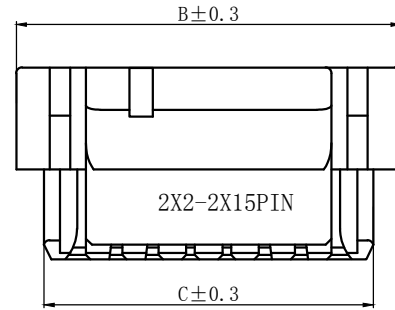
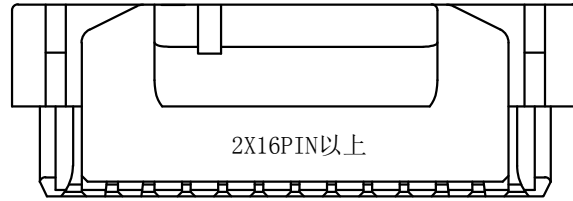
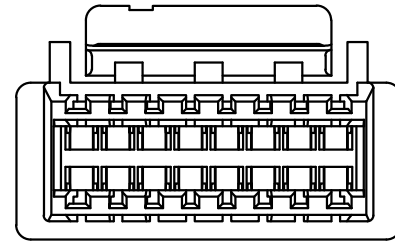


GENERAL TOLERANCES (UNLESS SPECIFIED)		ZHE JIANG DELI CONNECTORS CO., LTD	
.X: ± 0.25	X°: ± 3.0°	PRODUCT NAME: DL12512 (GHD)-AWB	TITLE: 1.25 mm Pitch Wire To Board Wafer
.XX: ± 0.15	.X°: ± 2.0°	DR: Chen QuanLong	DATE: 22/11/30
.XXX: ± 0.01	.XX°: ± 1.0°	CHKD: Wu Hui	DATE: 22/11/30
DRAWING NO:		APPD: Ren AnDe	DATE: 22/11/30
		SCALE: N/A	PAGE: 1/1
		UNITS: mm	REV.: A

REV.	REVISION DESCRIPTION	DATE	APPD

技术特性/Specifications:

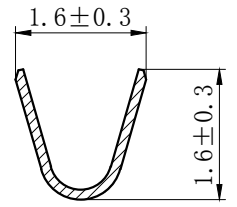
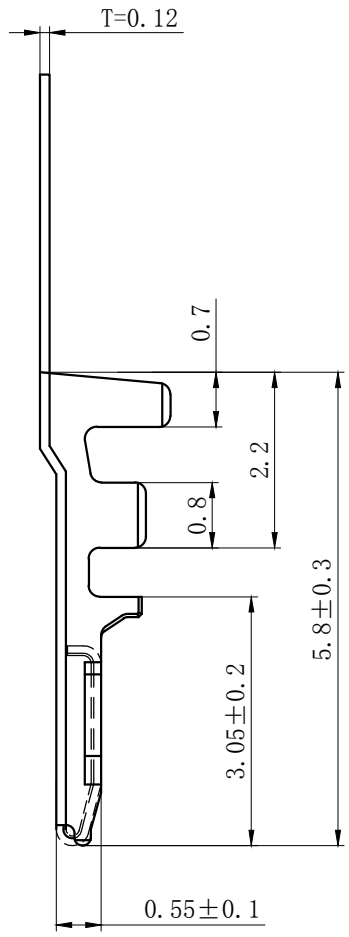
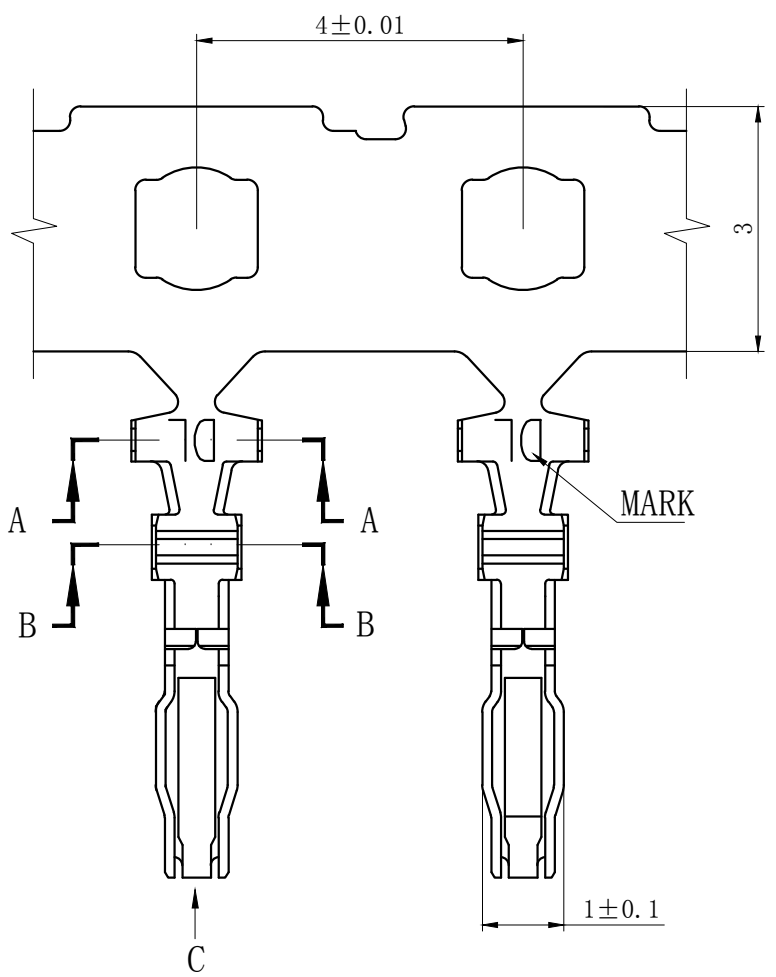
额定电压Rated voltage : 50V AC.DC.
 额定电流Rated current : 1.25A AC.DC.
 接触电阻Contact resistance: 50mΩ MAX
 绝缘电阻Insulation resistance: 100 MΩ MIN
 耐压Withstand voltage: 500V AC/minute
 环境温度Ambient temperature: -40℃~+105℃
 针座Wafer:PA66 UL94V-0



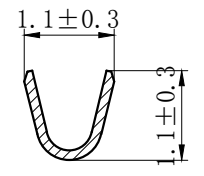
Circuits	Product name	Dimension mm			Circuits	Product name	Dimension mm		
		A	B	C			A	B	C
2X2	GHD-4Y	1.25	5.75	3.85	2X12	GHD-24Y	13.75	18.25	16.35
2X3	GHD-6Y	2.50	7.00	5.10	2X13	GHD-26Y	15.00	19.50	17.60
2X4	GHD-8Y	3.75	8.25	6.35	2X14	GHD-28Y	16.25	20.75	18.85
2X5	GHD-10Y	5.00	9.50	7.60	2X15	GHD-30Y	17.50	22.00	20.10
2X6	GHD-12Y	6.25	10.75	8.85	2X16	GHD-32Y	18.75	23.25	21.35
2X7	GHD-14Y	7.50	12.00	10.10	2X17	GHD-34Y	20.00	24.50	22.60
2X8	GHD-16Y	8.75	13.25	11.35	2X18	GHD-36Y	21.25	25.75	23.85
2X9	GHD-18Y	10.00	14.50	12.60	2X19	GHD-38Y	22.50	27.00	25.10
2X10	GHD-20Y	11.25	15.75	13.85	2X20	GHD-40Y	23.75	28.25	26.35
2X11	GHD-22Y	12.50	17.00	15.10					

GENERAL TOLERANCES (UNLESS SPECIFIED)		ZHE JIANG DELI CONNECTORS CO.,LTD	
.X: ± 0.25	X° : ± 3.0°	PRODUCT NAME:	TITLE: 1.25 mm Pitch
.XX: ± 0.15	.X° : ± 2.0°	DL12512 (GHD)-Y	
.XXX: ± 0.01	.XX° : ± 1.0°	DR:Chen QuanLong	DATE:22/11/30
FINISH:		CHKD:Wu Hui	DATE:22/11/30
DRAWING NO:	APPD:Ren AnDe	DATE:22/11/30	PART NO:
			SCALE: N/A
			PAGE: 1/1
			UNITS: mm
			REV.: A

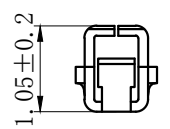
REV.	REVISION DESCRIPTION	DATE	APPD



SECTION A-A



SECTION B-B



SECTION C-C

NOTES

Used in DL12512-Y Series Housing.
 Accepts AWG #30~26 Wire Range.
 0.05~ 0.13 mm² .
 Insulation O.D.=0.76~1.0 mm.
 Material : Phosphor Bronze .
 Finish: Tin Plating
 Thickness: 0.12 mm.

GENERAL TOLERANCES (UNLESS SPECIFIED)		ZHE JIANG DELI CONNECTORS CO., LTD	
.X: ± 0.25	X°: ± 3.0°	PRODUCT NAME:	TITLE:
.XX: ± 0.15	.X°: ± 2.0°	DL12512(GHD)-T	1.25 mm Pitch Wire To Board Crimp Terminal
.XXX: ± 0.01	.XX°: ± 1.0°	DR:Chen Quan Long	DATE:22/11/30
FINISH:		CHKD: Wu Hui	DATE:22/11/30
DRAWING NO:		APPD:Ren An De	DATE:22/11/30
			PART NO:
			SCALE: N/A
			PAGE: 1/1
			UNITS: mm
			REV.: A

X-ON Electronics

Largest Supplier of Electrical and Electronic Components

Click to view similar products for [Headers & Wire Housings](#) category:

Click to view products by [DLL](#) manufacturer:

Other Similar products are found below :

[0015917161](#) [0022155065](#) [57102-F02-18ULF](#) [58102-G61-06LF](#) [582553-1](#) [01.001.5753.1](#) [0050291907](#) [02.125.8002.8](#) [609-3404](#) [61062-3](#)
[CSU011177004](#) [622-0430](#) [622-3653LF](#) [63453-116](#) [636-1030](#) [636-1427](#) [636-3427](#) [636-4007](#) [641938-9](#) [65495-038](#) [65692-001LF](#) [65781-018](#)
[65781-047](#) [65817-010LF](#) [65817-015LF](#) [67095-007LF](#) [67601157](#) [68631-112](#) [68645-018](#) [699319-000](#) [70.362.1628.0](#) [70-4210](#) [70-4226B](#) [70-](#)
[4853B](#) [71.350.2428.0](#) [733-134](#) [733-162](#) [760-3052](#) [MHR-64-VUAL](#) [80.063.4001.1](#) [800-90-001-10-001000](#) [801-43-002-10-013000](#)
[801-43-006-10-002000](#) [803-43-024-10-001000](#) [803-93-012-10-001000](#) [8-1437020-4](#) [819-22-004-30-001101](#) [820-22-006-30-001101](#)
[820-22-008-30-001101](#) [821-22-002-10-001101](#)