

**技术特性/Specifications:**

额定电压 Rated voltage: 50V AC, DC  
额定电流 Rated current: 1.25A AC, DC  
接触电阻 Contact resistance: 50m $\Omega$  max  
绝缘电阻 Insulation resistance: 100M $\Omega$  min  
耐压 Withstand voltage: 500V AC/minute  
环境温度 Ambient temperature: -40 $^{\circ}$ C~+105 $^{\circ}$ C  
适用线规 Wire range: AWG#32~#28

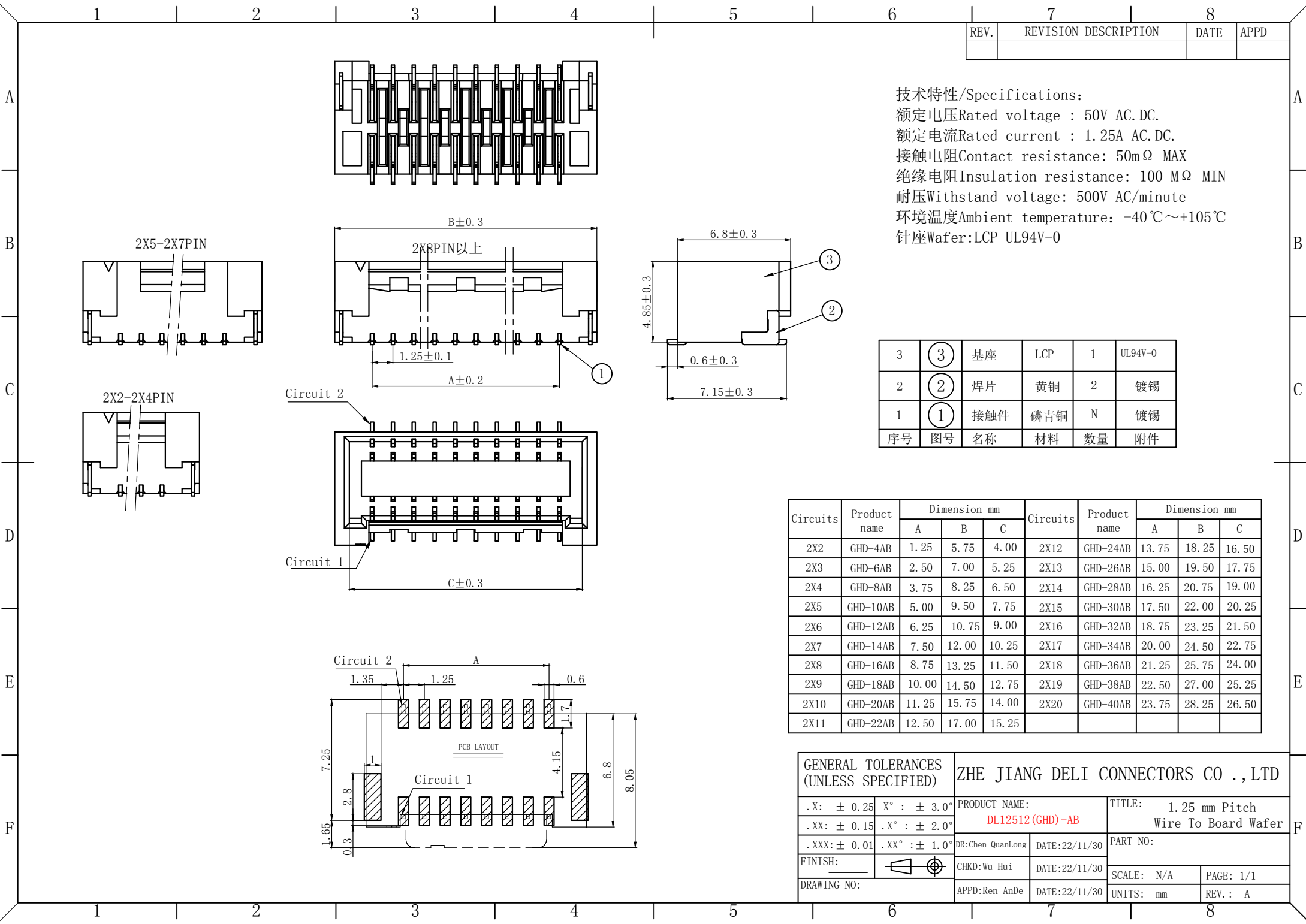
| REV. | REVISION DESCRIPTION | DATE | APPD |
|------|----------------------|------|------|
|      |                      |      |      |

技术特性/Specifications:  
 额定电压Rated voltage : 50V AC.DC.  
 额定电流Rated current : 1.25A AC.DC.  
 接触电阻Contact resistance: 50mΩ MAX  
 绝缘电阻Insulation resistance: 100 MΩ MIN  
 耐压Withstand voltage: 500V AC/minute  
 环境温度Ambient temperature: -40℃~+105℃  
 针座Wafer:LCP UL94V-0

|    |    |     |     |    |         |
|----|----|-----|-----|----|---------|
| 3  | ③  | 基座  | LCP | 1  | UL94V-0 |
| 2  | ②  | 焊片  | 黄铜  | 2  | 镀锡      |
| 1  | ①  | 接触件 | 磷青铜 | N  | 镀锡      |
| 序号 | 图号 | 名称  | 材料  | 数量 | 附件      |

| Circuits | Product name | Dimension mm |       |       | Circuits | Product name | Dimension mm |       |       |
|----------|--------------|--------------|-------|-------|----------|--------------|--------------|-------|-------|
|          |              | A            | B     | C     |          |              | A            | B     | C     |
| 2X2      | GHD-4AB      | 1.25         | 5.75  | 4.00  | 2X12     | GHD-24AB     | 13.75        | 18.25 | 16.50 |
| 2X3      | GHD-6AB      | 2.50         | 7.00  | 5.25  | 2X13     | GHD-26AB     | 15.00        | 19.50 | 17.75 |
| 2X4      | GHD-8AB      | 3.75         | 8.25  | 6.50  | 2X14     | GHD-28AB     | 16.25        | 20.75 | 19.00 |
| 2X5      | GHD-10AB     | 5.00         | 9.50  | 7.75  | 2X15     | GHD-30AB     | 17.50        | 22.00 | 20.25 |
| 2X6      | GHD-12AB     | 6.25         | 10.75 | 9.00  | 2X16     | GHD-32AB     | 18.75        | 23.25 | 21.50 |
| 2X7      | GHD-14AB     | 7.50         | 12.00 | 10.25 | 2X17     | GHD-34AB     | 20.00        | 24.50 | 22.75 |
| 2X8      | GHD-16AB     | 8.75         | 13.25 | 11.50 | 2X18     | GHD-36AB     | 21.25        | 25.75 | 24.00 |
| 2X9      | GHD-18AB     | 10.00        | 14.50 | 12.75 | 2X19     | GHD-38AB     | 22.50        | 27.00 | 25.25 |
| 2X10     | GHD-20AB     | 11.25        | 15.75 | 14.00 | 2X20     | GHD-40AB     | 23.75        | 28.25 | 26.50 |
| 2X11     | GHD-22AB     | 12.50        | 17.00 | 15.25 |          |              |              |       |       |

|                                       |              |                                   |  |
|---------------------------------------|--------------|-----------------------------------|--|
| GENERAL TOLERANCES (UNLESS SPECIFIED) |              | ZHE JIANG DELI CONNECTORS CO.,LTD |  |
| .X: ± 0.25                            | X°: ± 3.0°   | PRODUCT NAME:<br>DL12512 (GHD)-AB | TITLE: 1.25 mm Pitch Wire To Board Wafer |
| .XX: ± 0.15                           | .X°: ± 2.0°  | DR:Chen QuanLong                  | DATE:22/11/30                            |
| .XXX: ± 0.01                          | .XX°: ± 1.0° | CHKD:Wu Hui                       | DATE:22/11/30                            |
| FINISH: _____                         |              | APPD:Ren AnDe                     | DATE:22/11/30                            |
| DRAWING NO:                           |              |                                   |  |



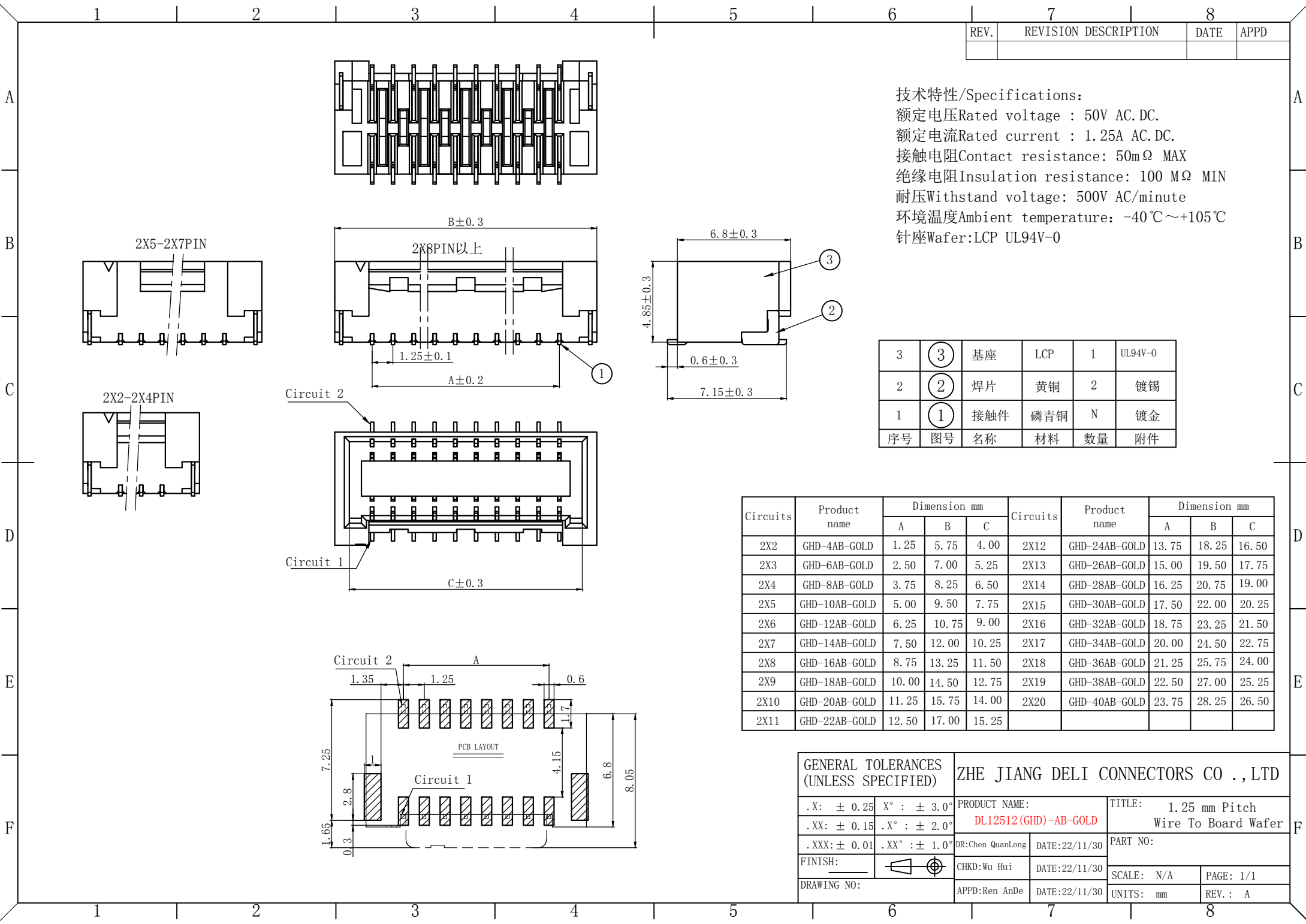
|      |                      |      |      |
|------|----------------------|------|------|
| REV. | REVISION DESCRIPTION | DATE | APPD |
|      |                      |      |      |

技术特性/Specifications:  
 额定电压Rated voltage : 50V AC.DC.  
 额定电流Rated current : 1.25A AC.DC.  
 接触电阻Contact resistance: 50mΩ MAX  
 绝缘电阻Insulation resistance: 100 MΩ MIN  
 耐压Withstand voltage: 500V AC/minute  
 环境温度Ambient temperature: -40℃~+105℃  
 针座Wafer:LCP UL94V-0

|    |    |     |     |    |         |
|----|----|-----|-----|----|---------|
| 3  | ③  | 基座  | LCP | 1  | UL94V-0 |
| 2  | ②  | 焊片  | 黄铜  | 2  | 镀锡      |
| 1  | ①  | 接触件 | 磷青铜 | N  | 镀金      |
| 序号 | 图号 | 名称  | 材料  | 数量 | 附件      |

| Circuits | Product name  | Dimension mm |       |       | Circuits | Product name  | Dimension mm |       |       |
|----------|---------------|--------------|-------|-------|----------|---------------|--------------|-------|-------|
|          |               | A            | B     | C     |          |               | A            | B     | C     |
| 2X2      | GHD-4AB-GOLD  | 1.25         | 5.75  | 4.00  | 2X12     | GHD-24AB-GOLD | 13.75        | 18.25 | 16.50 |
| 2X3      | GHD-6AB-GOLD  | 2.50         | 7.00  | 5.25  | 2X13     | GHD-26AB-GOLD | 15.00        | 19.50 | 17.75 |
| 2X4      | GHD-8AB-GOLD  | 3.75         | 8.25  | 6.50  | 2X14     | GHD-28AB-GOLD | 16.25        | 20.75 | 19.00 |
| 2X5      | GHD-10AB-GOLD | 5.00         | 9.50  | 7.75  | 2X15     | GHD-30AB-GOLD | 17.50        | 22.00 | 20.25 |
| 2X6      | GHD-12AB-GOLD | 6.25         | 10.75 | 9.00  | 2X16     | GHD-32AB-GOLD | 18.75        | 23.25 | 21.50 |
| 2X7      | GHD-14AB-GOLD | 7.50         | 12.00 | 10.25 | 2X17     | GHD-34AB-GOLD | 20.00        | 24.50 | 22.75 |
| 2X8      | GHD-16AB-GOLD | 8.75         | 13.25 | 11.50 | 2X18     | GHD-36AB-GOLD | 21.25        | 25.75 | 24.00 |
| 2X9      | GHD-18AB-GOLD | 10.00        | 14.50 | 12.75 | 2X19     | GHD-38AB-GOLD | 22.50        | 27.00 | 25.25 |
| 2X10     | GHD-20AB-GOLD | 11.25        | 15.75 | 14.00 | 2X20     | GHD-40AB-GOLD | 23.75        | 28.25 | 26.50 |
| 2X11     | GHD-22AB-GOLD | 12.50        | 17.00 | 15.25 |          |               |              |       |       |

|                                       |              |  |  |
|---------------------------------------|--------------|--|--|
| GENERAL TOLERANCES (UNLESS SPECIFIED) |              | ZHE JIANG DELI CONNECTORS CO., LTD     |  |
| .X: ± 0.25                            | X°: ± 3.0°   | PRODUCT NAME:<br>DL12512 (GHD)-AB-GOLD | TITLE: 1.25 mm Pitch Wire To Board Wafer |
| .XX: ± 0.15                           | .X°: ± 2.0°  | DR:Chen QuanLong                       | DATE:22/11/30                            |
| .XXX: ± 0.01                          | .XX°: ± 1.0° | CHKD:Wu Hui                            | DATE:22/11/30                            |
| FINISH: _____                         |              | APPD:Ren AnDe                          | DATE:22/11/30                            |
| DRAWING NO:                           |              |  |  |

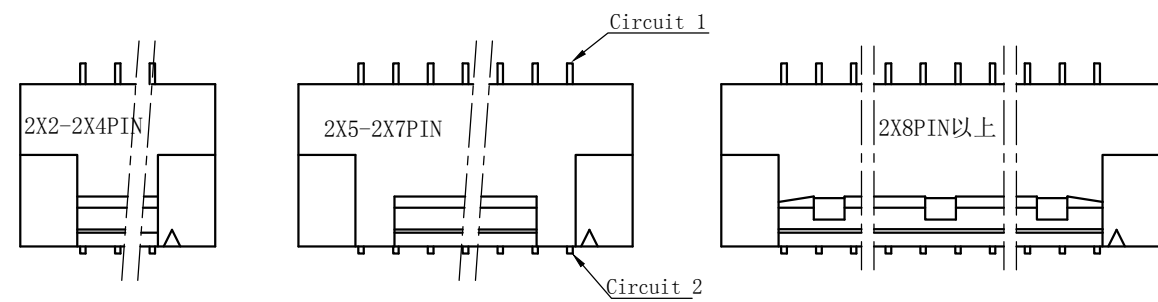
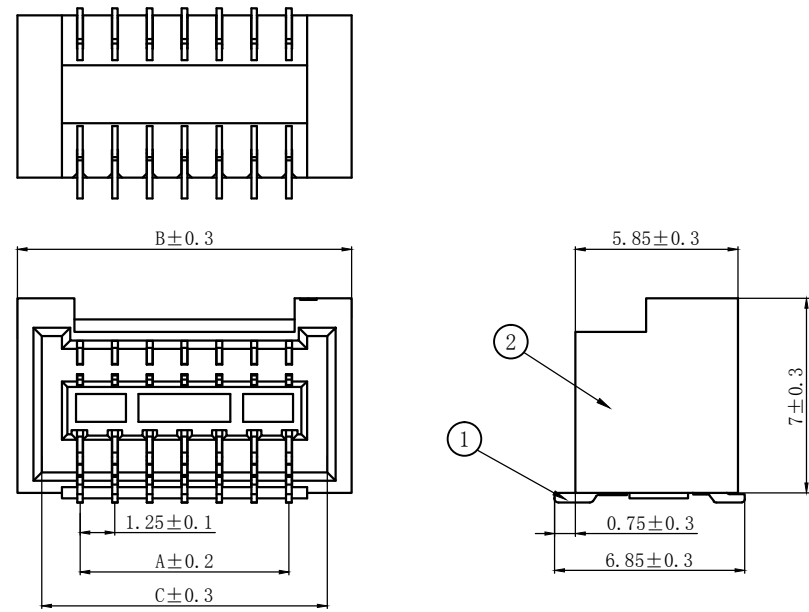


| REV. | REVISION DESCRIPTION | DATE | APPD |
|------|----------------------|------|------|
|      |                      |      |      |

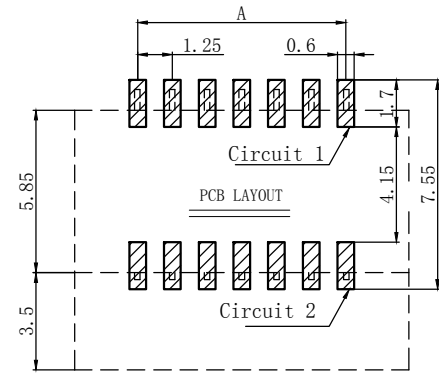
技术特性/Specifications:

额定电压Rated voltage : 50V AC.DC.  
 额定电流Rated current : 1.25A AC.DC.  
 接触电阻Contact resistance: 50mΩ MAX  
 绝缘电阻Insulation resistance: 100 MΩ MIN  
 耐压Withstand voltage: 500V AC/minute  
 环境温度Ambient temperature: -40℃~+105℃  
 针座Wafer:LCP UL94V-0

|    |    |     |     |    |         |
|----|----|-----|-----|----|---------|
| 2  | ②  | 基座  | LCP | 1  | UL94V-0 |
| 1  | ①  | 接触件 | 磷青铜 | N  | 镀锡      |
| 序号 | 图号 | 名称  | 材料  | 数量 | 附件      |



| Circuits | Product name | Dimension mm |       |       | Circuits | Product name | Dimension mm |       |       |
|----------|--------------|--------------|-------|-------|----------|--------------|--------------|-------|-------|
|          |              | A            | B     | C     |          |              | A            | B     | C     |
| 2X2      | GHD-4AWB     | 1.25         | 5.75  | 4.00  | 2X12     | GHD-24AWB    | 13.75        | 18.25 | 16.50 |
| 2X3      | GHD-6AWB     | 2.50         | 7.00  | 5.25  | 2X13     | GHD-26AWB    | 15.00        | 19.50 | 17.75 |
| 2X4      | GHD-8AWB     | 3.75         | 8.25  | 6.50  | 2X14     | GHD-28AWB    | 16.25        | 20.75 | 19.00 |
| 2X5      | GHD-10AWB    | 5.00         | 9.50  | 7.75  | 2X15     | GHD-30AWB    | 17.50        | 22.00 | 20.25 |
| 2X6      | GHD-12AWB    | 6.25         | 10.75 | 9.00  | 2X16     | GHD-32AWB    | 18.75        | 23.25 | 21.50 |
| 2X7      | GHD-14AWB    | 7.50         | 12.00 | 10.25 | 2X17     | GHD-34AWB    | 20.00        | 24.50 | 22.75 |
| 2X8      | GHD-16AWB    | 8.75         | 13.25 | 11.50 | 2X18     | GHD-36AWB    | 21.25        | 25.75 | 24.00 |
| 2X9      | GHD-18AWB    | 10.00        | 14.50 | 12.75 | 2X19     | GHD-38AWB    | 22.50        | 27.00 | 25.25 |
| 2X10     | GHD-20AWB    | 11.25        | 15.75 | 14.00 | 2X20     | GHD-40AWB    | 23.75        | 28.25 | 26.50 |
| 2X11     | GHD-22AWB    | 12.50        | 17.00 | 15.25 |          |              |              |       |       |

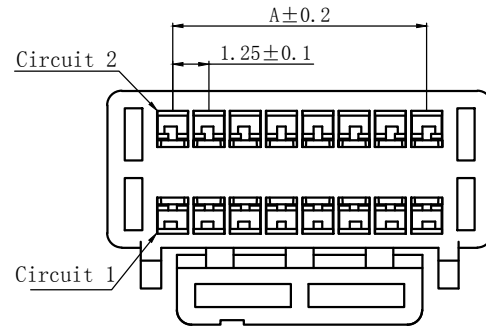
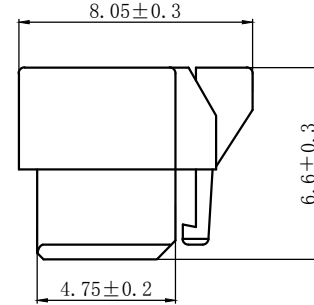
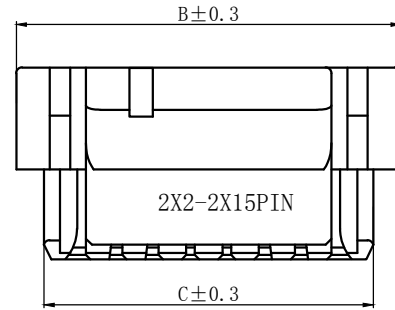
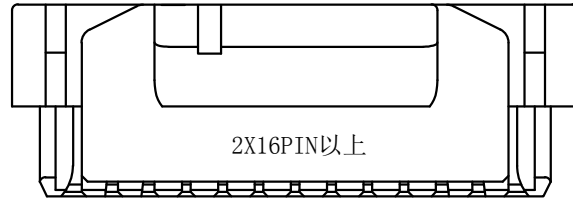
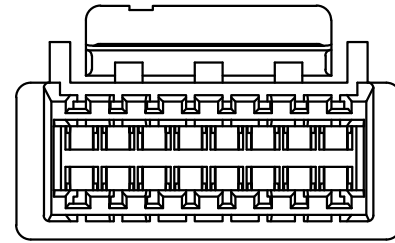


|                                       |              |                                    |  |
|---------------------------------------|--------------|------------------------------------|--|
| GENERAL TOLERANCES (UNLESS SPECIFIED) |              | ZHE JIANG DELI CONNECTORS CO., LTD |  |
| .X: ± 0.25                            | X°: ± 3.0°   | PRODUCT NAME:<br>DL12512 (GHD)-AWB | TITLE: 1.25 mm Pitch Wire To Board Wafer |
| .XX: ± 0.15                           | .X°: ± 2.0°  | DR:Chen QuanLong                   | DATE:22/11/30                            |
| .XXX: ± 0.01                          | .XX°: ± 1.0° | CHKD:Wu Hui                        | DATE:22/11/30                            |
| FINISH:                               |              | APPD:Ren AnDe                      | DATE:22/11/30                            |
| DRAWING NO:                           |              |                                    |  |

| REV. | REVISION DESCRIPTION | DATE | APPD |
|------|----------------------|------|------|
|      |                      |      |      |

技术特性/Specifications:

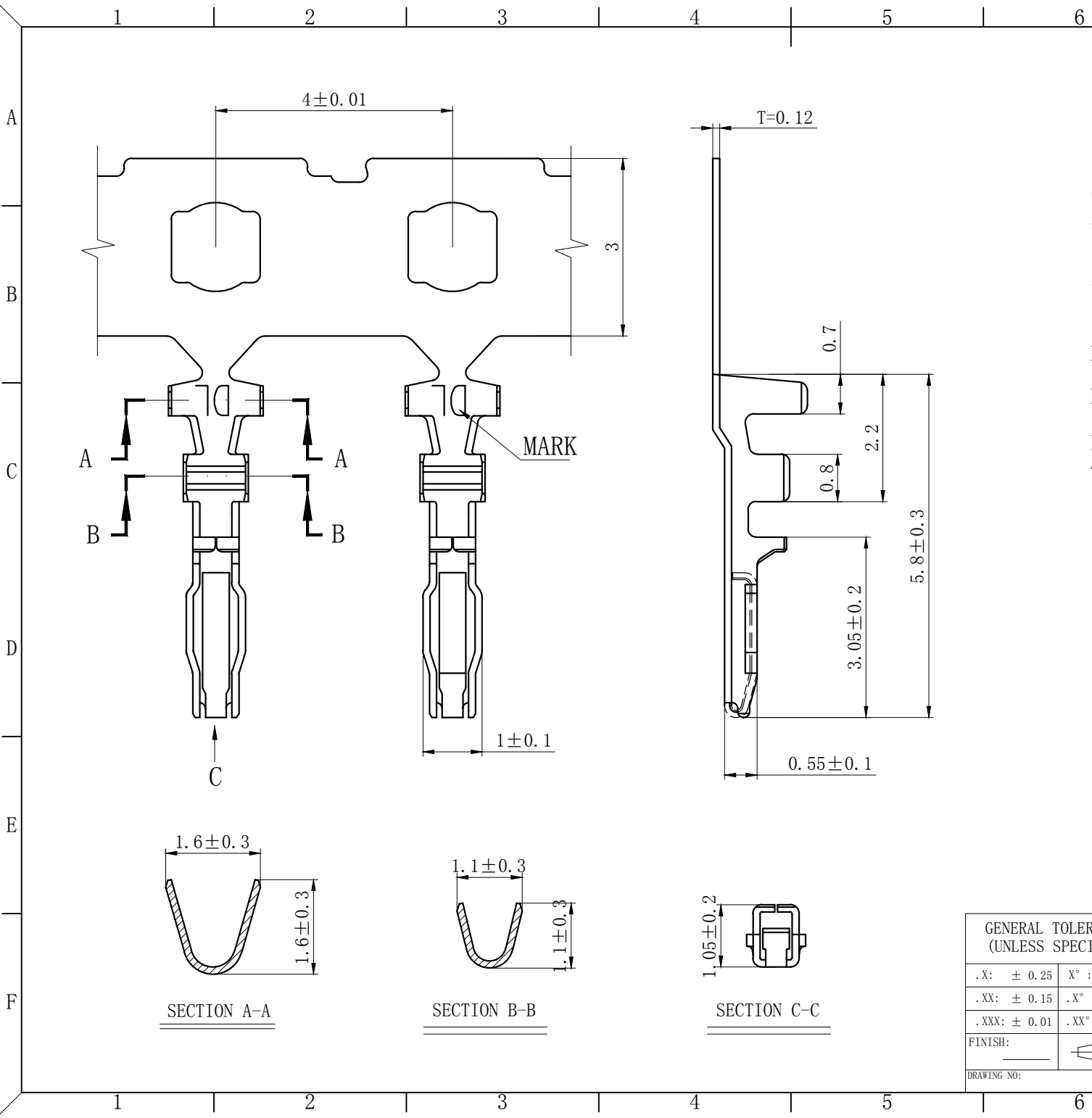
额定电压Rated voltage : 50V AC.DC.  
 额定电流Rated current : 1.25A AC.DC.  
 接触电阻Contact resistance: 50mΩ MAX  
 绝缘电阻Insulation resistance: 100 MΩ MIN  
 耐压Withstand voltage: 500V AC/minute  
 环境温度Ambient temperature: -40℃~+105℃  
 针座Wafer:PA66 UL94V-0



| Circuits | Product name | Dimension mm |       |       | Circuits | Product name | Dimension mm |       |       |
|----------|--------------|--------------|-------|-------|----------|--------------|--------------|-------|-------|
|          |              | A            | B     | C     |          |              | A            | B     | C     |
| 2X2      | GHD-4Y       | 1.25         | 5.75  | 3.85  | 2X12     | GHD-24Y      | 13.75        | 18.25 | 16.35 |
| 2X3      | GHD-6Y       | 2.50         | 7.00  | 5.10  | 2X13     | GHD-26Y      | 15.00        | 19.50 | 17.60 |
| 2X4      | GHD-8Y       | 3.75         | 8.25  | 6.35  | 2X14     | GHD-28Y      | 16.25        | 20.75 | 18.85 |
| 2X5      | GHD-10Y      | 5.00         | 9.50  | 7.60  | 2X15     | GHD-30Y      | 17.50        | 22.00 | 20.10 |
| 2X6      | GHD-12Y      | 6.25         | 10.75 | 8.85  | 2X16     | GHD-32Y      | 18.75        | 23.25 | 21.35 |
| 2X7      | GHD-14Y      | 7.50         | 12.00 | 10.10 | 2X17     | GHD-34Y      | 20.00        | 24.50 | 22.60 |
| 2X8      | GHD-16Y      | 8.75         | 13.25 | 11.35 | 2X18     | GHD-36Y      | 21.25        | 25.75 | 23.85 |
| 2X9      | GHD-18Y      | 10.00        | 14.50 | 12.60 | 2X19     | GHD-38Y      | 22.50        | 27.00 | 25.10 |
| 2X10     | GHD-20Y      | 11.25        | 15.75 | 13.85 | 2X20     | GHD-40Y      | 23.75        | 28.25 | 26.35 |
| 2X11     | GHD-22Y      | 12.50        | 17.00 | 15.10 |          |              |              |       |       |

|                                       |               |                                   |                      |
|---------------------------------------|---------------|-----------------------------------|----------------------|
| GENERAL TOLERANCES (UNLESS SPECIFIED) |               | ZHE JIANG DELI CONNECTORS CO.,LTD |                      |
| .X: ± 0.25                            | X° : ± 3.0°   | PRODUCT NAME:                     | TITLE: 1.25 mm Pitch |
| .XX: ± 0.15                           | .X° : ± 2.0°  | DL12512 (GHD)-Y                   |                      |
| .XXX: ± 0.01                          | .XX° : ± 1.0° | DR:Chen QuanLong                  | DATE:22/11/30        |
| FINISH:                               |               | CHKD:Wu Hui                       | DATE:22/11/30        |
| DRAWING NO:                           | APPD:Ren AnDe | DATE:22/11/30                     | PART NO:             |
|                                       |               |                                   | SCALE: N/A           |
|                                       |               |                                   | PAGE: 1/1            |
|                                       |               |                                   | UNITS: mm            |
|                                       |               |                                   | REV.: A              |

| REV. | REVISION DESCRIPTION | DATE | APPD |
|------|----------------------|------|------|
|      |                      |      |      |



## NOTES

Used in DL12512-Y Series Housing.  
 Accepts AWG #30~26 Wire Range.  
 0.05~ 0.13 mm<sup>2</sup> .  
 Insulation O.D.=0.76~1.0 mm.  
 Material : Phosphor Bronze .  
 Finish: Tin Plating  
 Thickness: 0.12 mm.

| GENERAL TOLERANCES (UNLESS SPECIFIED) |              | ZHE JIANG DELI CONNECTORS CO., LTD |   |
|---------------------------------------|--------------|------------------------------------|---|
| .X: ± 0.25                            | X°: ± 3.0°   | PRODUCT NAME:                      | TITLE:  |
| .XX: ± 0.15                           | .X°: ± 2.0°  | DL12512(GHD)-T                     | 1.25 mm Pitch<br>Wire To Board Crimp Terminal |
| .XXX: ± 0.01                          | .XX°: ± 1.0° | DR:Chen Quan Long                  | DATE:22/11/30                                 |
| FINISH:                               |              | CHKD: Wu Hui                       | DATE:22/11/30                                 |
| DRAWING NO:                           |              | APPD:Ren An De                     | DATE:22/11/30                                 |
|                                       |              | SCALE: N/A                         | PAGE: 1/1                                     |
|                                       |              | UNITS: mm                          | REV.: A                                       |

## X-ON Electronics

Largest Supplier of Electrical and Electronic Components

*Click to view similar products for [Headers & Wire Housings](#) category:*

*Click to view products by [DLL](#) manufacturer:*

Other Similar products are found below :

[0015917161](#) [0022155065](#) [57102-F02-18ULF](#) [58102-G61-06LF](#) [582553-1](#) [01.001.5753.1](#) [0050291907](#) [02.125.8002.8](#) [609-3404](#) [61062-3](#)  
[CSU011177004](#) [622-0430](#) [622-3653LF](#) [63453-116](#) [636-1030](#) [636-1427](#) [636-3427](#) [636-4007](#) [641938-9](#) [65495-038](#) [65692-001LF](#) [65781-018](#)  
[65781-047](#) [65817-010LF](#) [65817-015LF](#) [67095-007LF](#) [67601157](#) [68631-112](#) [68645-018](#) [699319-000](#) [70.362.1628.0](#) [70-4210](#) [70-4226B](#) [70-](#)  
[4853B](#) [71.350.2428.0](#) [733-134](#) [733-162](#) [760-3052](#) [MHR-64-VUAL](#) [80.063.4001.1](#) [800-90-001-10-001000](#) [801-43-002-10-013000](#)  
[801-43-006-10-002000](#) [803-43-024-10-001000](#) [803-93-012-10-001000](#) [8-1437020-4](#) [819-22-004-30-001101](#) [820-22-006-30-001101](#)  
[820-22-008-30-001101](#) [821-22-002-10-001101](#)