



**技术特性/Specifications:**

额定电压 Rated voltage: 50V AC, DC  
额定电流 Rated current: 1A AC, DC  
接触电阻 Contact resistance: 20mΩ max  
绝缘电阻 Insulation resistance: 100MΩ min  
耐压 Withstand voltage: 500V AC/minute  
环境温度 Ambient temperature: -40°C~+105°C  
适用线规 Wire range: AWG#32~#28

|      |                      |      |
|------|----------------------|------|
| REV. | REVISION DESCRIPTION | DATE |
|      |                      |      |



### NOTES

Available in 02 through 20 Circuits.  
 Mates with DL20005-Y Series Housing.  
 Material : LCP UL94V-0.  
 Pin Material : Brass.Tin-plated .



|    |    |     |     |    |         |
|----|----|-----|-----|----|---------|
| 3  | ③  | 基座  | LCP | 1  | UL94V-0 |
| 2  | ②  | 焊片  | 黄铜  | 2  | 镀锡      |
| 1  | ①  | 接触件 | 黄铜  | N  | 镀锡      |
| 序号 | 图号 | 名称  | 材料  | 数量 | 附件      |

| Circuits | Product name | Dimension mm |       |       | Circuits | Product name | Dimension mm |       |       |
|----------|--------------|--------------|-------|-------|----------|--------------|--------------|-------|-------|
|          |              | A            | B     | C     |          |              | A            | B     | C     |
| 2        | HY-2AB       | 2.00         | 8.00  | 4.75  | 10       | HY-10AB      | 18.00        | 24.00 | 20.75 |
| 3        | HY-3AB       | 4.00         | 10.00 | 6.75  | 11       | HY-11AB      | 20.00        | 26.00 | 22.75 |
| 4        | HY-4AB       | 6.00         | 12.00 | 8.75  | 12       | HY-12AB      | 22.00        | 28.00 | 24.75 |
| 5        | HY-5AB       | 8.00         | 14.00 | 10.75 | 13       | HY-13AB      | 24.00        | 30.00 | 26.75 |
| 6        | HY-6AB       | 10.00        | 16.00 | 12.75 | 14       | HY-14AB      | 26.00        | 32.00 | 28.75 |
| 7        | HY-7AB       | 12.00        | 18.00 | 14.75 | 15       | HY-15AB      | 28.00        | 34.00 | 30.75 |
| 8        | HY-8AB       | 14.00        | 20.00 | 16.75 | ~        | ~            | ~            | ~     | ~     |
| 9        | HY-9AB       | 16.00        | 22.00 | 18.75 | 20       | HY-20AB      | 38.00        | 44.00 | 40.75 |

|                                       |              |   |   |
|---------------------------------------|--------------|---|---|
| GENERAL TOLERANCES (UNLESS SPECIFIED) |              | ZHE JIANG DELI CONNECTORS CO.,LTD       |   |
| .X: ± 0.25                            | X°: ± 3.0°   | PRODUCT NAME:<br><b>DL20005 (HY)-AB</b> | TITLE:<br>2.0 mm Pitch<br>Wire To Board SMT Wafer |
| .XX: ± 0.15                           | .X°: ± 2.0°  | DR:Chen Quan Long                       | DATE:21/09/23                                     |
| .XXX: ± 0.01                          | .XX°: ± 1.0° | CHKD:Wu Hui                             | DATE:21/09/23                                     |
| FINISH:                               |              | APPD:Ren An De                          | DATE:21/09/23                                     |
| DRAWING NO:                           |              | UNITS: mm                               | REV.: A   |

|      |                      |      |
|------|----------------------|------|
| REV. | REVISION DESCRIPTION | DATE |
|      |                      |      |

### NOTES

Available in 02 through 20 Circuits.  
 Mates with DL20005-Y Series Housing.  
 Material : LCP UL94V-0.  
 Pin Material : Brass.Tin-plated .



| Circuits | Product name | Dimension mm |       |       | Circuits | Product name | Dimension mm |       |       |
|----------|--------------|--------------|-------|-------|----------|--------------|--------------|-------|-------|
|          |              | A            | B     | C     |          |              | A            | B     | C     |
| 2        | HY-2AWB      | 2.00         | 8.00  | 4.75  | 10       | HY-10AWB     | 18.00        | 24.00 | 20.75 |
| 3        | HY-3AWB      | 4.00         | 10.00 | 6.75  | 11       | HY-11AWB     | 20.00        | 26.00 | 22.75 |
| 4        | HY-4AWB      | 6.00         | 12.00 | 8.75  | 12       | HY-12AWB     | 22.00        | 28.00 | 24.75 |
| 5        | HY-5AWB      | 8.00         | 14.00 | 10.75 | 13       | HY-13AWB     | 24.00        | 30.00 | 26.75 |
| 6        | HY-6AWB      | 10.00        | 16.00 | 12.75 | 14       | HY-14AWB     | 26.00        | 32.00 | 28.75 |
| 7        | HY-7AWB      | 12.00        | 18.00 | 14.75 | 15       | HY-15AWB     | 28.00        | 34.00 | 30.75 |
| 8        | HY-8AWB      | 14.00        | 20.00 | 16.75 | ~        | ~            | ~            | ~     | ~     |
| 9        | HY-9AWB      | 16.00        | 22.00 | 18.75 | 20       | HY-20AWB     | 38.00        | 44.00 | 40.75 |

|    |    |     |     |    |         |
|----|----|-----|-----|----|---------|
| 3  | ③  | 基座  | LCP | 1  | UL94V-0 |
| 2  | ②  | 焊片  | 黄铜  | 2  | 镀锡      |
| 1  | ①  | 接触件 | 黄铜  | N  | 镀锡      |
| 序号 | 图号 | 名称  | 材料  | 数量 | 附件      |

|                                       |              |  |               |   |           |
|---------------------------------------|--------------|--|---------------|---|-----------|
| GENERAL TOLERANCES (UNLESS SPECIFIED) |              | ZHE JIANG DELI CONNECTORS CO., LTD       |               |   |           |
| .X: ± 0.25                            | X°: ± 3.0°   | PRODUCT NAME:<br><b>DL20005 (HY)-AWB</b> |               | TITLE:<br>2.0 mm Pitch<br>Wire To Board SMT Wafer |           |
| .XX: ± 0.15                           | .X°: ± 2.0°  | DR:Chen Quan Long                        | DATE:21/04/03 | PART NO:  |           |
| .XXX: ± 0.01                          | .XX°: ± 1.0° | CHKD:Wu Hui                              | DATE:21/04/03 | SCALE: N/A  | PAGE: 1/1 |
| FINISH:                               |              | APPD:Ren An De                           | DATE:21/04/03 | UNITS: mm   | REV.: A   |
| DRAWING NO:                           |              |  |               |   |           |

| REV. | REVISION DESCRIPTION | DATE | APPD |
|------|----------------------|------|------|
|      |                      |      |      |



### NOTES

Available in 02 through 20 Circuits.  
 Mates with DL20005-Y Series Housing.  
 Material : Nylon UL94V-0(2).  
 0.50mm Square Pin.  
 Pin Material : Brass / Tin-Plated.

| Circuits | Product name | Dimension mm |       |       | Circuits | Product name | Dimension mm |       |       |
|----------|--------------|--------------|-------|-------|----------|--------------|--------------|-------|-------|
|          |              | A            | B     | C     |          |              | A            | B     | C     |
| 2        | HY-2A        | 2.00         | 6.00  | 4.90  | 10       | HY-10A       | 18.00        | 22.00 | 20.90 |
| 3        | HY-3A        | 4.00         | 8.00  | 6.90  | 11       | HY-11A       | 20.00        | 24.00 | 22.90 |
| 4        | HY-4A        | 6.00         | 10.00 | 8.90  | 12       | HY-12A       | 22.00        | 26.00 | 24.90 |
| 5        | HY-5A        | 8.00         | 12.00 | 10.90 | 13       | HY-13A       | 24.00        | 28.00 | 26.90 |
| 6        | HY-6A        | 10.00        | 14.00 | 12.90 | 14       | HY-14A       | 26.00        | 30.00 | 28.90 |
| 7        | HY-7A        | 12.00        | 16.00 | 14.90 | 15       | HY-15A       | 28.00        | 32.00 | 30.90 |
| 8        | HY-8A        | 14.00        | 18.00 | 16.90 | -        | -            | -            | -     | -     |
| 9        | HY-9A        | 16.00        | 20.00 | 18.90 | 20       | HY-20A       | 38.00        | 42.00 | 40.90 |

| GENERAL TOLERANCES (UNLESS SPECIFIED) |              | ZHE JIANG DELI CONNECTORS CO., LTD |                |  |  |
|---------------------------------------|--------------|------------------------------------|----------------|--|--|
| .X: ± 0.25                            | X°: ± 3.0°   | PRODUCT NAME:                      |                | TITLE: 2.00 mm Pitch Wire To Board Wafer |  |
| .XX: ± 0.15                           | .X°: ± 2.0°  | DL20005 (HY)-A                     |                | PART NO:                                 |  |
| .XXX: ± 0.01                          | .XX°: ± 1.0° | DR: Chen Quan Long                 | DATE: 21/08/01 | SCALE: N/A PAGE: 1/1                     |  |
| FINISH:                               |              | CHKD: Wu Hui                       | DATE: 21/08/01 | UNITS: mm REV.: A                        |  |
| DRAWING NO:                           |              | APPD: Ren An De                    | DATE: 21/08/01 |  |  |

|      |   |                      |   |      |      |
|------|---|----------------------|---|------|------|
| REV. | 7 | REVISION DESCRIPTION | 8 | DATE | APPD |
|      |   |                      |   |      |      |

# NOTES

Available in 02 through 20 Circuits.  
 Mates with DL20005-Y Series Housing.  
 Material :Nylon UL94V-0(2).  
 0.50mm Square Pin.  
 Pin Material : Brass / Tin-Plated.



| Circuits | Product name | Dimension mm |       |       | Circuits | Product name | Dimension mm |       |       |
|----------|--------------|--------------|-------|-------|----------|--------------|--------------|-------|-------|
|          |              | A            | B     | C     |          |              | A            | B     | C     |
| 2        | HY-2AW       | 2.00         | 6.00  | 4.90  | 10       | HY-10AW      | 18.00        | 22.00 | 20.90 |
| 3        | HY-3AW       | 4.00         | 8.00  | 6.90  | 11       | HY-11AW      | 20.00        | 24.00 | 22.90 |
| 4        | HY-4AW       | 6.00         | 10.00 | 8.90  | 12       | HY-12AW      | 22.00        | 26.00 | 24.90 |
| 5        | HY-5AW       | 8.00         | 12.00 | 10.90 | 13       | HY-13AW      | 24.00        | 28.00 | 26.90 |
| 6        | HY-6AW       | 10.00        | 14.00 | 12.90 | 14       | HY-14AW      | 26.00        | 30.00 | 28.90 |
| 7        | HY-7AW       | 12.00        | 16.00 | 14.90 | 15       | HY-15AW      | 28.00        | 32.00 | 30.90 |
| 8        | HY-8AW       | 14.00        | 18.00 | 16.90 | -        | -            | -            | -     | -     |
| 9        | HY-9AW       | 16.00        | 20.00 | 18.90 | 20       | HY-20AW      | 38.00        | 42.00 | 40.90 |

|                                       |              |                                    |               |  |           |
|---------------------------------------|--------------|------------------------------------|---------------|--|-----------|
| GENERAL TOLERANCES (UNLESS SPECIFIED) |              | ZHE JIANG DELI CONNECTORS CO., LTD |               |  |           |
| .X: ± 0.25                            | .X°: ± 3.0°  | PRODUCT NAME:<br>DL20005 (HY)-AW   |               | TITLE:<br>2.00 mm Pitch<br>Wire To Board Wafer |           |
| .XX: ± 0.15                           | .X°: ± 2.0°  | DR:Chen Quan Long                  | DATE:21/08/01 | PART NO:                                       |           |
| .XXX: ± 0.01                          | .XX°: ± 1.0° | CHKD:Wu Hui                        | DATE:21/08/01 | SCALE: N/A                                     | PAGE: 1/1 |
| DRAWING NO:                           |              | APPD:Ren An De                     | DATE:21/08/01 | UNITS: mm                                      | REV.: A   |

|      |   |                      |   |      |      |
|------|---|----------------------|---|------|------|
| REV. | 7 | REVISION DESCRIPTION | 8 | DATE | APPD |
|      |   |                      |   |      |      |

# NOTES

Available in 02 through 20 Circuits.  
 Mates with DL20005-Y Series Housing.  
 Material :Nylon UL94V-0(2).  
 0.50mm Square Pin.  
 Pin Material : Brass / Tin-Plated.



| Circuits | Product name | Dimension mm |       |       | Circuits | Product name | Dimension mm |       |       |
|----------|--------------|--------------|-------|-------|----------|--------------|--------------|-------|-------|
|          |              | A            | B     | C     |          |              | A            | B     | C     |
| 2        | HY-2AWD      | 2.00         | 6.00  | 4.90  | 10       | HY-10AWD     | 18.00        | 22.00 | 20.90 |
| 3        | HY-3AWD      | 4.00         | 8.00  | 6.90  | 11       | HY-11AWD     | 20.00        | 24.00 | 22.90 |
| 4        | HY-4AWD      | 6.00         | 10.00 | 8.90  | 12       | HY-12AWD     | 22.00        | 26.00 | 24.90 |
| 5        | HY-5AWD      | 8.00         | 12.00 | 10.90 | 13       | HY-13AWD     | 24.00        | 28.00 | 26.90 |
| 6        | HY-6AWD      | 10.00        | 14.00 | 12.90 | 14       | HY-14AWD     | 26.00        | 30.00 | 28.90 |
| 7        | HY-7AWD      | 12.00        | 16.00 | 14.90 | 15       | HY-15AWD     | 28.00        | 32.00 | 30.90 |
| 8        | HY-8AWD      | 14.00        | 18.00 | 16.90 | -        | -            | -            | -     | -     |
| 9        | HY-9AWD      | 16.00        | 20.00 | 18.90 | 20       | HY-20AWD     | 38.00        | 42.00 | 40.90 |

|                                       |              |                                    |               |  |           |
|---------------------------------------|--------------|------------------------------------|---------------|--|-----------|
| GENERAL TOLERANCES (UNLESS SPECIFIED) |              | ZHE JIANG DELI CONNECTORS CO., LTD |               |  |           |
| .X: ± 0.25                            | X°: ± 3.0°   | PRODUCT NAME:<br>DL20005 (HY)-AWD  |               | TITLE:<br>2.00 mm Pitch<br>Wire To Board Wafer |           |
| .XX: ± 0.15                           | .X°: ± 2.0°  | DR:Chen Quan Long                  | DATE:21/08/01 | PART NO:                                       |           |
| .XXX: ± 0.01                          | .XX°: ± 1.0° | CHKD:Wu Hui                        | DATE:21/08/01 | SCALE: N/A                                     | PAGE: 1/1 |
| DRAWING NO:                           |              | APPD:Ren An De                     | DATE:21/08/01 | UNITS: mm                                      | REV.: A   |

|      |                      |      |      |
|------|----------------------|------|------|
| REV. | REVISION DESCRIPTION | DATE | APPD |
|      |                      |      |      |

# NOTES

Available in 02 through 20 Circuits.  
 Mates with DL20005-Y Series Housing.  
 Material :Nylon UL94V-0(2).  
 0.50mm Square Pin.  
 Pin Material : Brass / Tin-Plated.



| Circuits | Product name | Dimension mm |       |       | Circuits | Product name | Dimension mm |       |       |
|----------|--------------|--------------|-------|-------|----------|--------------|--------------|-------|-------|
|          |              | A            | B     | C     |          |              | A            | B     | C     |
| 2        | HY-2AWD-S    | 2.00         | 6.00  | 4.90  | 10       | HY-10AWD-S   | 18.00        | 22.00 | 20.90 |
| 3        | HY-3AWD-S    | 4.00         | 8.00  | 6.90  | 11       | HY-11AWD-S   | 20.00        | 24.00 | 22.90 |
| 4        | HY-4AWD-S    | 6.00         | 10.00 | 8.90  | 12       | HY-12AWD-S   | 22.00        | 26.00 | 24.90 |
| 5        | HY-5AWD-S    | 8.00         | 12.00 | 10.90 | 13       | HY-13AWD-S   | 24.00        | 28.00 | 26.90 |
| 6        | HY-6AWD-S    | 10.00        | 14.00 | 12.90 | 14       | HY-14AWD-S   | 26.00        | 30.00 | 28.90 |
| 7        | HY-7AWD-S    | 12.00        | 16.00 | 14.90 | 15       | HY-15AWD-S   | 28.00        | 32.00 | 30.90 |
| 8        | HY-8AWD-S    | 14.00        | 18.00 | 16.90 | -        | -            | -            | -     | -     |
| 9        | HY-9AWD-S    | 16.00        | 20.00 | 18.90 | 20       | HY-20AWD-S   | 38.00        | 42.00 | 40.90 |

|                                       |              |                                     |  |
|---------------------------------------|--------------|-------------------------------------|--|
| GENERAL TOLERANCES (UNLESS SPECIFIED) |              | ZHE JIANG DELI CONNECTORS CO., LTD  |  |
| .X: ± 0.25                            | X°: ± 3.0°   | PRODUCT NAME:<br>DL20005 (HY)-AWD-S | TITLE:<br>2.00 mm Pitch<br>Wire To Board Wafer |
| .XX: ± 0.15                           | .X°: ± 2.0°  | DR:Chen Quan Long                   | DATE:21/08/01                                  |
| .XXX: ± 0.01                          | .XX°: ± 1.0° | CHKD:Wu Hui                         | DATE:21/08/01                                  |
| FINISH:                               |              | APPD:Ren An De                      | DATE:21/08/01                                  |
| DRAWING NO:                           |              |                                     |  |
|                                       |              | SCALE: N/A                          | PAGE: 1/1                                      |
|                                       |              | UNITS: mm                           | REV.: A  |

| REV. | REVISION DESCRIPTION | DATE | APPD |
|------|----------------------|------|------|
|      |                      |      |      |

## NOTES

Available in 02 through 20 Circuits.  
 Mates with DL20038-Y Series Housing.  
 Material : Nylon UL94V-0 (2) .  
 0.50mm Square Pin.  
 Pin Material : Brass / Tin-Plated.



Circuit NO.1

| Circuits | Product name | Dimensino (mm) |      | Circuits | Product name | Dimensino (mm) |      |
|----------|--------------|----------------|------|----------|--------------|----------------|------|
|          |              | A              | B    |          |              | A              | B    |
| 2        | HY-H-2AS     | 2.0            | 6.0  | 9        | HY-H-9AS     | 16.0           | 20.0 |
| 3        | HY-H-3AS     | 4.0            | 8.0  | 10       | HY-H-10AS    | 18.0           | 22.0 |
| 4        | HY-H-4AS     | 6.0            | 10.0 | 11       | HY-H-11AS    | 20.0           | 24.0 |
| 5        | HY-H-5AS     | 8.0            | 12.0 | 12       | HY-H-12AS    | 22.0           | 26.0 |
| 6        | HY-H-6AS     | 10.0           | 14.0 | 13       | HY-H-13AS    | 24.0           | 28.0 |
| 7        | HY-H-7AS     | 12.0           | 16.0 | ~        | ~            | ~              | ~    |
| 8        | HY-H-8AS     | 14.0           | 18.0 | 20       | HY-H-20AS    | 38.0           | 42.0 |

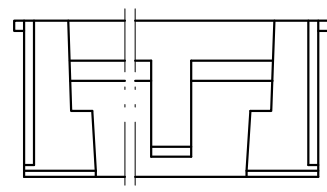
| GENERAL TOLERANCES (UNLESS SPECIFIED) |                       | ZHE JIANG DELI CONNECTORS CO., LTD |  |
|---------------------------------------|-----------------------|------------------------------------|--|
| .X: $\pm 0.25$                        | X°: $\pm 3.0^\circ$   | PRODUCT NAME:                      | TITLE: 2.00 mm Pitch Wire To Board Wafer |
| .XX: $\pm 0.15$                       | .X°: $\pm 2.0^\circ$  | DR: Chen Quan Long                 | DATE: 22/05/01                           |
| .XXX: $\pm 0.01$                      | .XX°: $\pm 1.0^\circ$ | CHKD: Wu Hui                       | DATE: 22/05/01                           |
| DRAWING NO:                           |                       | APPD: Ren An De                    | DATE: 22/05/01                           |
| FINISH:                               |                       | SCALE: N/A                         | PAGE: 1/1                                |
| UNITS: mm                             |                       | REV.: A                            |  |



|      |                      |      |      |
|------|----------------------|------|------|
| REV. | REVISION DESCRIPTION | DATE | APPD |
|      |                      |      |      |

# NOTES

Available in 02 through 20 Circuits.  
 Match with DL20005 series housing  
 Material : Nylon UL94V-0(2).  
 Accepts DL20005-T Crimp Terminal.



| Circuits | Product name | Dimensino (mm) |       |       | Circuits | Product name | Dimensino (mm) |       |       |
|----------|--------------|----------------|-------|-------|----------|--------------|----------------|-------|-------|
|          |              | A              | B     | C     |          |              | A              | B     | C     |
| 2        | HY-2Y        | 2.00           | 4.60  | 5.60  | 12       | HY-12Y       | 22.00          | 24.60 | 25.60 |
| 3        | HY-3Y        | 4.00           | 6.60  | 7.60  | 13       | HY-13Y       | 24.00          | 26.60 | 27.60 |
| 4        | HY-4Y        | 6.00           | 8.60  | 9.60  | 14       | HY-14Y       | 26.00          | 28.60 | 29.60 |
| 5        | HY-5Y        | 8.00           | 10.60 | 11.60 | 15       | HY-15Y       | 28.00          | 30.60 | 31.60 |
| 6        | HY-6Y        | 10.00          | 12.60 | 13.60 | 16       | HY-16Y       | 30.00          | 32.60 | 33.60 |
| 7        | HY-7Y        | 12.00          | 14.60 | 15.60 | 17       | HY-17Y       | 32.00          | 34.60 | 35.60 |
| 8        | HY-8Y        | 14.00          | 16.60 | 17.60 | 18       | HY-18Y       | 34.00          | 36.60 | 37.60 |
| 9        | HY-9Y        | 16.00          | 18.60 | 19.60 | 19       | HY-19Y       | 36.00          | 38.60 | 39.60 |
| 10       | HY-10Y       | 18.00          | 20.60 | 21.60 | 20       | HY-20Y       | 38.00          | 40.60 | 41.60 |
| 11       | HY-11Y       | 20.00          | 22.60 | 23.60 | -        | -            | -              | -     | -     |

|                                       |               |                                    |                       |
|---------------------------------------|---------------|------------------------------------|-----------------------|
| GENERAL TOLERANCES (UNLESS SPECIFIED) |               | ZHE JIANG DELI CONNECTORS CO., LTD |                       |
| .X: ± 0.25                            | .X°: ± 3.0°   | PRODUCT NAME:                      | TITLE:                |
| .XX: ± 0.15                           | .XX°: ± 2.0°  | DL20005 (HY)-Y                     | 2.00 mm Pitch Housing |
| .XXX: ± 0.01                          | .XXX°: ± 1.0° | DR:Chen Quan Long                  | DATE:21/08/01         |
| FINISH:                               |               | CHKD: Wu Hui                       | DATE:21/08/01         |
| DRAWING NO:                           |               | APPD:Ren An De                     | DATE:21/08/01         |
|                                       |               |                                    | PART NO:              |
|                                       |               |                                    | SCALE: N/A            |
|                                       |               |                                    | PAGE: 1/1             |
|                                       |               |                                    | UNITS: mm             |
|                                       |               |                                    | REV.: A               |

| REV. | REVISION DESCRIPTION | DATE | APPD |
|------|----------------------|------|------|
|      |                      |      |      |

## NOTES

Available in 02 Circuits.  
 Match with DL20005 series housing  
 Material : Nylon UL94V-0(2).  
 Accepts DL20005-T Crimp Terminal.

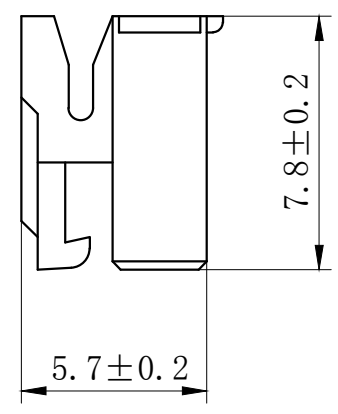
CIRCUIT NO. 1



| GENERAL TOLERANCES (UNLESS SPECIFIED) |              | ZHE JIANG DELI CONNECTORS CO., LTD |                       |
|---------------------------------------|--------------|------------------------------------|-----------------------|
| .X: ± 0.25                            | X°: ± 3.0°   | PRODUCT NAME:                      | TITLE:                |
| .XX: ± 0.15                           | .X°: ± 2.0°  | DL20005 (HY)-2Y-WJ                 | 2.00 mm Pitch Housing |
| .XXX: ± 0.01                          | .XX°: ± 1.0° | DR: Chen Quan Long                 | DATE: 21/08/01        |
| FINISH:                               |              | CHKD: Wu Hui                       | DATE: 21/08/01        |
| DRAWING NO:                           |              | APPD: Ren An De                    | DATE: 21/08/01        |
|                                       |              | SCALE: N/A                         | PAGE: 1/1             |
|                                       |              | UNITS: mm                          | REV.: A               |

| REV. | REVISION DESCRIPTION | DATE | APPD |
|------|----------------------|------|------|
|      |                      |      |      |

CIRCUIT NO. 1



### NOTES

Available in 03 Circuits.  
 Match with DL20005 series housing  
 Material : Nylon UL94V-0(2).  
 Accepts DL20005-T Crimp Terminal.



| GENERAL TOLERANCES<br>(UNLESS SPECIFIED) |              | ZHE JIANG DELI CONNECTORS CO., LTD |                       |
|--|--------------|------------------------------------|-----------------------|
| .X: ± 0.25                               | X°: ± 3.0°   | PRODUCT NAME:                      | TITLE:                |
| .XX: ± 0.15                              | .X°: ± 2.0°  | DL20005 (HY)-3Y-WJ                 | 2.00 mm Pitch Housing |
| .XXX: ± 0.01                             | .XX°: ± 1.0° | DR:Chen Quan Long                  | DATE:21/08/01         |
| FINISH:                                  |              | CHKD: Wu Hui                       | DATE:21/08/01         |
| DRAWING NO:                              |              | APPD:Ren An De                     | DATE:21/08/01         |
|  |              | SCALE: N/A                         | PAGE: 1/1             |
|  |              | UNITS: mm                          | REV.: A               |

| REV. | REVISION DESCRIPTION | DATE | APPD |
|------|----------------------|------|------|
|      |                      |      |      |

## NOTES

Available in 04 through 20 Circuits.  
 Match with DL20005 series housing  
 Material : Nylon UL94V-0(2).  
 Accepts DL20005-T Crimp Terminal.



| Circuits | Product name | Dimension mm |       |       | Circuits | Product name | Dimension mm |       |       |
|----------|--------------|--------------|-------|-------|----------|--------------|--------------|-------|-------|
|          |              | A            | B     | C     |          |              | A            | B     | C     |
| 4        | HY-4Y-WJ     | 6.00         | 8.60  | 9.60  | 11       | HY-11Y-WJ    | 20.00        | 22.60 | 23.60 |
| 5        | HY-5Y-WJ     | 8.00         | 10.60 | 11.60 | 12       | HY-12Y-WJ    | 22.00        | 24.60 | 25.60 |
| 6        | HY-6Y-WJ     | 10.00        | 12.60 | 13.60 | 13       | HY-13Y-WJ    | 24.00        | 26.60 | 27.60 |
| 7        | HY-7Y-WJ     | 12.00        | 14.60 | 15.60 | 14       | HY-14Y-WJ    | 26.00        | 28.60 | 29.60 |
| 8        | HY-8Y-WJ     | 14.00        | 16.60 | 17.60 | 15       | HY-15Y-WJ    | 28.00        | 30.60 | 31.60 |
| 9        | HY-9Y-WJ     | 16.00        | 18.60 | 19.60 | ~        | ~            | ~            | ~     | ~     |
| 10       | HY-10Y-WJ    | 18.00        | 20.60 | 21.60 | 20       | HY-20Y-WJ    | 38.00        | 40.60 | 41.60 |

| GENERAL TOLERANCES (UNLESS SPECIFIED) |               | ZHE JIANG DELI CONNECTORS CO., LTD |                       |
|---------------------------------------|---------------|------------------------------------|-----------------------|
| .X: ± 0.25                            | .X°: ± 3.0°   | PRODUCT NAME:                      | TITLE:                |
| .XX: ± 0.15                           | .XX°: ± 2.0°  | DL20005 (HY)-Y-WJ                  | 2.00 mm Pitch Housing |
| .XXX: ± 0.01                          | .XXX°: ± 1.0° | DR:Chen Quan Long                  | DATE:21/08/01         |
| FINISH:                               |               | CHKD: Wu Hui                       | DATE:21/08/01         |
| DRAWING NO:                           |               | APPD:Ren An De                     | DATE:21/08/01         |
|                                       |               |                                    | PART NO:              |
|                                       |               |                                    | SCALE: N/A            |
|                                       |               |                                    | PAGE: 1/1             |
|                                       |               |                                    | UNITS: mm             |
|                                       |               |                                    | REV.: A               |

|      |                      |      |      |
|------|----------------------|------|------|
| REV. | REVISION DESCRIPTION | DATE | APPD |
|      |                      |      |      |



**NOTES**

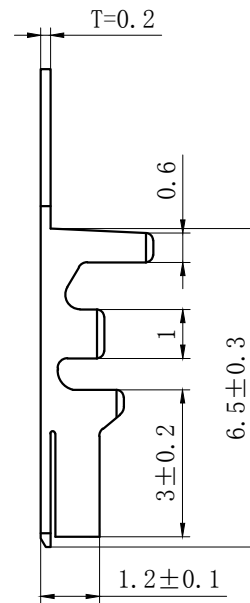
Available in 02 through 20 Circuits.  
 Mates with DL20005-Y Series Housing.  
 Material : Nylon UL94V-0(2).  
 Accepts DL20005-RT Crimp Terminal.



| Circuits | Product name | Dimension mm |       |      | Circuits | Product name | Dimension mm |       |      |
|----------|--------------|--------------|-------|------|----------|--------------|--------------|-------|------|
|          |              | A            | B     | C    |          |              | A            | B     | C    |
| 2        | HY-2R        | 2.00         | 6.00  | 4.9  | 10       | HY-10R       | 18.00        | 22.00 | 20.9 |
| 3        | HY-3R        | 4.00         | 8.00  | 6.9  | 11       | HY-11R       | 20.00        | 24.00 | 22.9 |
| 4        | HY-4R        | 6.00         | 10.00 | 8.9  | 12       | HY-12R       | 22.00        | 26.00 | 24.9 |
| 5        | HY-5R        | 8.00         | 12.00 | 10.9 | 13       | HY-13R       | 24.00        | 28.00 | 26.9 |
| 6        | HY-6R        | 10.00        | 14.00 | 12.9 | 14       | HY-14R       | 26.00        | 30.00 | 28.9 |
| 7        | HY-7R        | 12.00        | 16.00 | 14.9 | 15       | HY-15R       | 28.00        | 32.00 | 30.9 |
| 8        | HY-8R        | 14.00        | 18.00 | 16.9 | ~        | ~            | ~            | ~     | ~    |
| 9        | HY-9R        | 16.00        | 20.00 | 18.9 | 20       | HY-20R       | 38.00        | 42.00 | 40.9 |

|                                       |              |   |               |
|---------------------------------------|--------------|---|---------------|
| GENERAL TOLERANCES (UNLESS SPECIFIED) |              | ZHE JIANG DELI CONNECTORS CO., LTD        |               |
| .X: ± 0.25                            | X°: ± 3.0°   | <b>DL20005 (HY) -R</b>                    |               |
| .XX: ± 0.15                           | .X°: ± 2.0°  |   |               |
| .XXX: ± 0.01                          | .XX°: ± 1.0° | DR: Chen Quan Long                        | DATE:20/10/12 |
| FINISH:                               |              | CHKD: Wu Hui                              | DATE:20/10/12 |
| DRAWING NO:                           |              | APPD: Ren An De                           | DATE:20/10/12 |
|                                       |              | TITLE: 2.00 mm Pitch Wire To Wire Housing |               |
|                                       |              | PART NO:                                  |               |
|                                       |              | SCALE: N/A                                | PAGE: 1/1     |
|                                       |              | UNITS: mm                                 | REV.: A       |

| REV. | REVISION DESCRIPTION | DATE | APPD |
|------|----------------------|------|------|
|      |                      |      |      |



## NOTES

- Used in DL20005-Y Series Housing.
- Accepts AWG #28~22 Wire Range.  
0.05~ 0.33 mm<sup>2</sup>.
- Insulation O.D.=0.9~1.8 mm.
- Material : Phosphor Bronze .
- Finish: Tin plated.
- Thickness: 0.2 mm.



SECTION A-A



SECTION B-B



SECTION C-C

| TYPE   | Dimension mm |     |     |     | 适用线规AWG |
|--------|--------------|-----|-----|-----|---------|
|        | A1           | B1  | A2  | B2  |         |
| HY-T-G | 2.1          | 2.2 | 1.7 | 1.7 | #24-22  |
| HY-T   | 2.1          | 2.2 | 1.7 | 1.3 | #26-24  |
| HY-T-D | 1.7          | 1.7 | 1.3 | 1.2 | #28-26  |

| GENERAL TOLERANCES<br>(UNLESS SPECIFIED) |              | ZHE JIANG DELI CONNECTORS CO., LTD |                |   |           |
|--|--------------|------------------------------------|----------------|---|-----------|
| .X: ± 0.25                               | X°: ± 3.0°   | PRODUCT NAME:<br>DL20005(HY)-T     |                | TITLE:<br>2.00 mm Pitch<br>Crimp Terminal |           |
| .XX: ± 0.15                              | .X°: ± 2.0°  | DR: Chen Quan Long                 | DATE: 21/03/13 | PART NO:                                  |           |
| .XXX: ± 0.01                             | .XX°: ± 1.0° | CHKD: Wu Hui                       | DATE: 21/03/13 | SCALE: N/A                                | PAGE: 1/1 |
| DRAWING NO:                              |              | APPD: Ren An De                    | DATE: 21/03/13 | UNITS: mm                                 | REV.: A   |

| REV. | REVISION DESCRIPTION | DATE | APPD |
|------|----------------------|------|------|
|      |                      |      |      |



### NOTES

Used in DL20005-R Series Housing.  
Accepts AWG #28~22 Wire Range.

0.08~ 0.33 mm<sup>2</sup> .

Insulation O.D. =0.9~1.8mm.

Material : Phosphor Bronze .

Finish: Tin plated.

Thickness: 0.2 mm.



SECTION A-A



SECTION B-B



SECTION C-C

| GENERAL TOLERANCES<br>(UNLESS SPECIFIED) |               |  |               | ZHE JIANG DELI CONNECTORS CO ., LTD                    |  |           |  |
|--|---------------|--|---------------|--|--|-----------|--|
| .X: ± 0.25                               | X° : ± 3.0°   | PRODUCT NAME:<br><b>DL20005 (HY) -RT</b> |               | TITLE:<br>2.00 mm Pitch<br>Wire To Wire Crimp Terminal |  | PART NO:  |  |
| .XX: ± 0.15                              | .X° : ± 2.0°  | DR:Chen Quan Long                        | DATE:20/12/30 | SCALE: N/A   |  | PAGE: 1/1 |  |
| .XXX: ± 0.01                             | .XX° : ± 1.0° | CHKD: Wu Hui                             | DATE:20/12/30 | UNITS: mm  |  | REV.: A   |  |
| DRAWING NO:                              |               | APPD:Ren An De                           | DATE:20/12/30 |  |  |           |  |

## X-ON Electronics

Largest Supplier of Electrical and Electronic Components

*Click to view similar products for [Headers & Wire Housings](#) category:*

*Click to view products by [DLL](#) manufacturer:*

Other Similar products are found below :

[0015917161](#) [0022155065](#) [57102-F02-18ULF](#) [58102-G61-06LF](#) [582553-1](#) [01.001.5753.1](#) [0050291907](#) [02.125.8002.8](#) [609-3404](#) [61062-3](#)  
[CSU011177004](#) [622-0430](#) [622-3653LF](#) [63453-116](#) [636-1030](#) [636-1427](#) [636-3427](#) [636-4007](#) [641938-9](#) [65495-038](#) [65692-001LF](#) [65781-018](#)  
[65781-047](#) [65817-010LF](#) [65817-015LF](#) [67095-007LF](#) [67601157](#) [68631-112](#) [68645-018](#) [699319-000](#) [70.362.1628.0](#) [70-4210](#) [70-4226B](#) [70-](#)  
[4853B](#) [71.350.2428.0](#) [733-134](#) [733-162](#) [MHR-64-VUAL](#) [80.063.4001.1](#) [800-90-001-10-001000](#) [801-43-002-10-013000](#) [801-43-006-10-](#)  
[002000](#) [803-43-024-10-001000](#) [803-93-012-10-001000](#) [8-1437020-4](#) [819-22-004-30-001101](#) [820-22-006-30-001101](#) [820-22-008-30-001101](#)  
[821-22-002-10-001101](#) [821-22-003-10-002101](#)