

**技术特性/Specifications:**

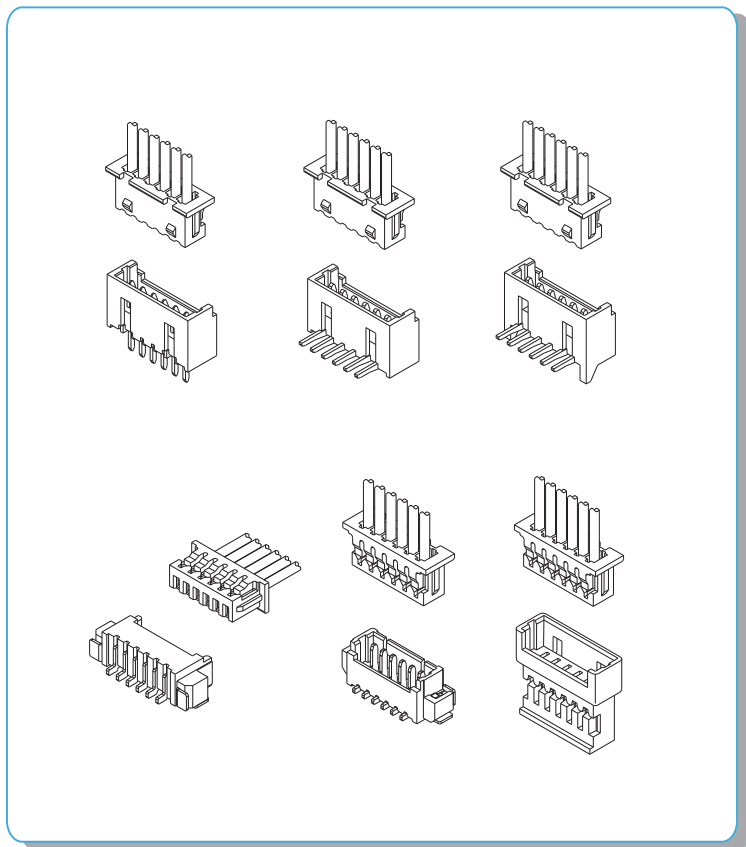
额定电压 Rated voltage: 125V AC, DC  
 额定电流 Rated current: 1A AC, DC  
 接触电阻 Contact resistance: 20mΩ max  
 绝缘电阻 Insulation resistance: 100MΩ min  
 耐压 Withstand voltage: 500V AC/minute  
 环境温度 Ambient temperature: -25°C~+85°C  
 适用线规 Wire range: AWG#32~#28

**标准/Standard:**



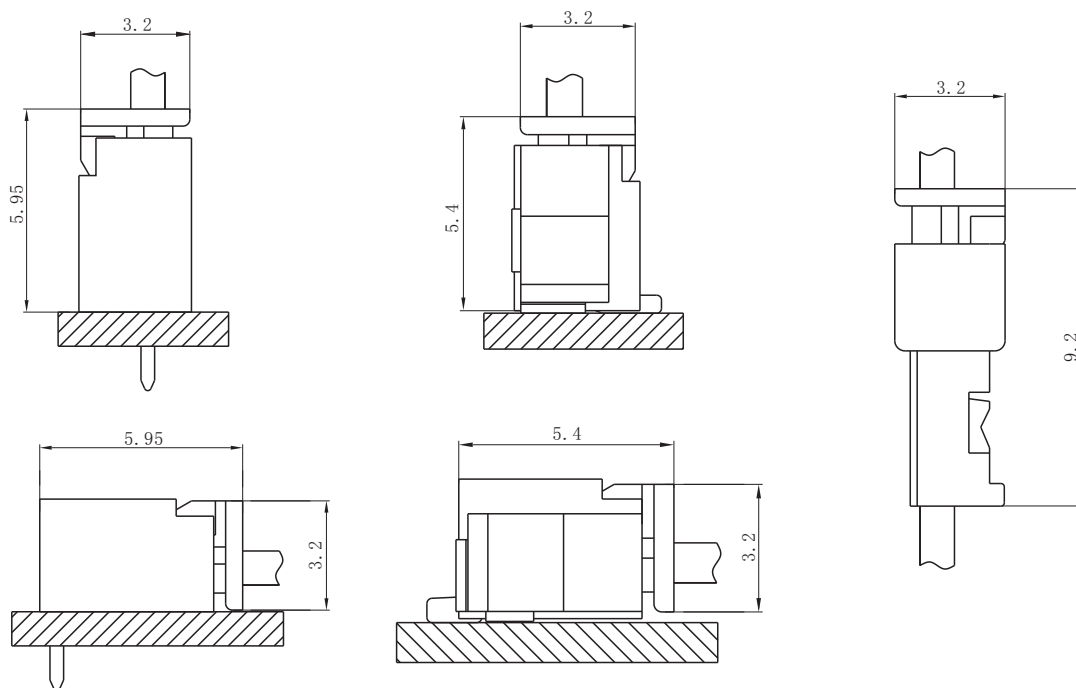
详细参数请咨询:

- E-mail: manager@zjdll.com
- E-mail: technical-support@zjdll.com
- WeChat: 13867778918



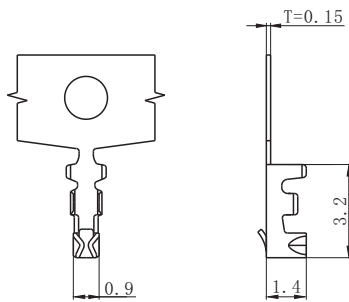
**PC电路板布局和组件布局 PC board layout and Assembly layout**

▣ Assembly layout (装配布局)

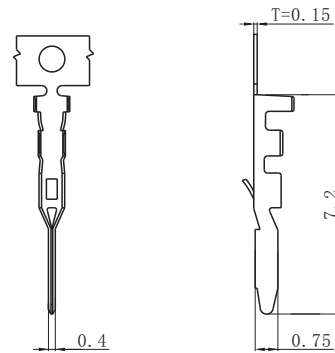


上图为连接器安装侧观察图  
 Notes: The above figure is the figure viewed from the connector mounting side.

□ DL12501-T (MH1.25-T)



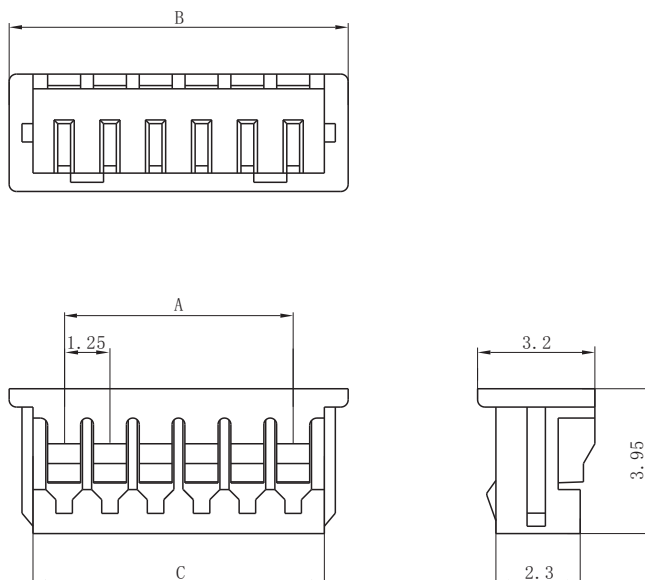
□ DL12501-RT (MH1.25-RT)



| Model No. (型号)         | Applicable wire (适用线规) |       |                          | Material (材料)         | Plating (电镀)    | Qty/reel (数量/盘) |
|------------------------|------------------------|-------|--------------------------|-----------------------|-----------------|-----------------|
|                        | mm <sup>2</sup>        | AWG#  | Insulation O.D. (绝缘外径mm) |                       |                 |                 |
| DL12501-T (MH1.25-T)   | 0.032~0.08             | 32~28 | φ 0.5~1.0                | Phosphor bronze (磷青铜) | Tin Plated (镀锡) | 15000           |
| DL12501-RT (MH1.25-RT) | 0.032~0.08             | 32~28 | φ 0.5~1.0                | Phosphor bronze (磷青铜) | Tin Plated (镀锡) | 15000           |

符合RoHS标准  
RoHS compliance

□ DL12501-Y (MH1.25-Y)



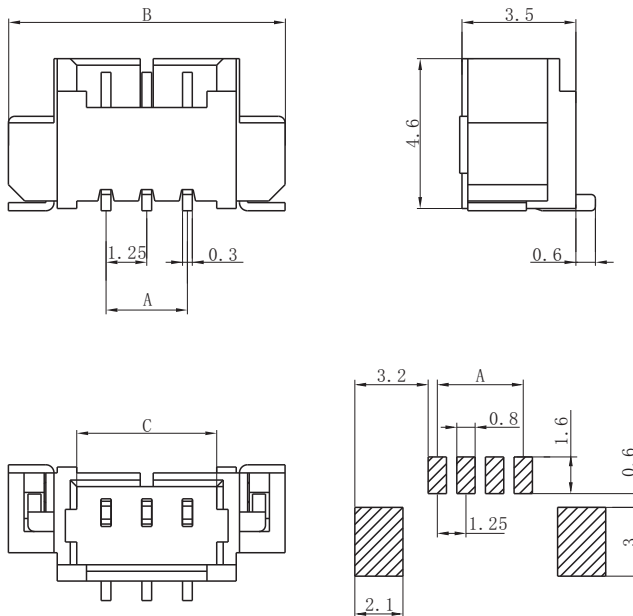
| Circuits (电路) | Product name (产品名称) | Dimensions (尺寸mm) |       |       |
|---------------|---------------------|-------------------|-------|-------|
|               |                     | A                 | B     | C     |
| 2             | MH1.25-2Y           | 1.25              | 4.25  | 2.95  |
| 3             | MH1.25-3Y           | 2.50              | 5.50  | 4.20  |
| 4             | MH1.25-4Y           | 3.75              | 6.75  | 5.45  |
| 5             | MH1.25-5Y           | 5.00              | 8.00  | 6.70  |
| 6             | MH1.25-6Y           | 6.25              | 9.25  | 7.95  |
| 7             | MH1.25-7Y           | 7.50              | 10.50 | 9.20  |
| 8             | MH1.25-8Y           | 8.75              | 11.75 | 10.45 |
| 9             | MH1.25-9Y           | 10.00             | 13.00 | 11.70 |
| 10            | MH1.25-10Y          | 11.25             | 14.25 | 12.95 |
| 11            | MH1.25-11Y          | 12.50             | 15.50 | 14.20 |
| 12            | MH1.25-12Y          | 13.75             | 16.75 | 15.45 |
| 13            | MH1.25-13Y          | 15.00             | 18.00 | 16.70 |
| 14            | MH1.25-14Y          | 16.25             | 19.25 | 17.95 |
| 15            | MH1.25-15Y          | 17.50             | 20.50 | 19.20 |
| 16            | MH1.25-16Y          | 18.75             | 21.75 | 20.45 |

Material (材料)

Housing (胶壳): Nylon (尼龙) UL94V-0 (2)

符合RoHS标准  
RoHS compliance

□ DL12501-AB (MH1.25-AB)



| Circuits<br>(电路) | Product name<br>(产品名称) | Dimensions (尺寸mm) |       |       |
|------------------|------------------------|-------------------|-------|-------|
|                  |                        | A                 | B     | C     |
| 2                | MH1.25-2AB             | 1.25              | 7.25  | 3.05  |
| 3                | MH1.25-3AB             | 2.50              | 8.50  | 4.30  |
| 4                | MH1.25-4AB             | 3.75              | 9.75  | 5.55  |
| 5                | MH1.25-5AB             | 5.00              | 11.00 | 6.80  |
| 6                | MH1.25-6AB             | 6.25              | 12.25 | 8.05  |
| 7                | MH1.25-7AB             | 7.50              | 13.50 | 9.30  |
| 8                | MH1.25-8AB             | 8.75              | 14.75 | 10.55 |
| 9                | MH1.25-9AB             | 10.00             | 16.00 | 11.80 |
| 10               | MH1.25-10AB            | 11.25             | 17.25 | 13.05 |
| 11               | MH1.25-11AB            | 12.50             | 18.50 | 14.30 |
| 12               | MH1.25-12AB            | 13.75             | 19.75 | 15.55 |
| 13               | MH1.25-13AB            | 15.00             | 21.00 | 16.80 |
| 14               | MH1.25-14AB            | 16.25             | 22.25 | 18.05 |
| 15               | MH1.25-15AB            | 17.50             | 23.50 | 19.30 |
| 16               | MH1.25-16AB            | 18.75             | 24.75 | 20.55 |

Material (材料)

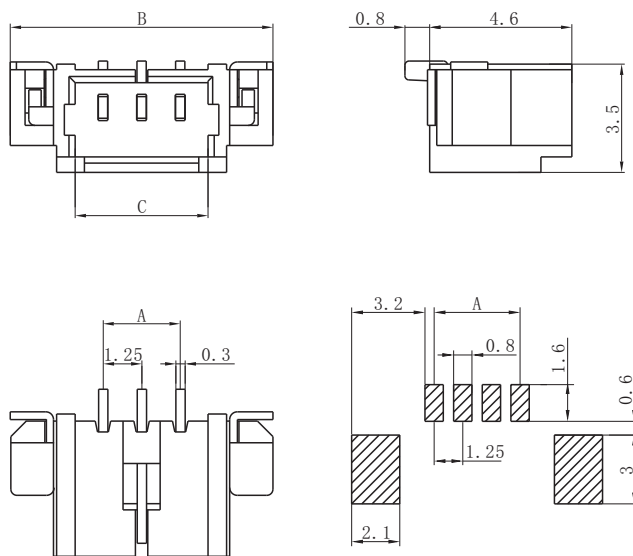
Housing (胶壳): LCP U194V-0

Wafer (接触件): Phosphor bronze (磷青铜) / Tin plated (镀锡)

Solder tabs (焊片): Brass (黄铜) / Tin plated (镀锡)

符合RoHS标准  
RoHS compliance

□ DL12501-AWB (MH1.25-AWB)



| Circuits<br>(电路) | Product name<br>(产品名称) | Dimensions (尺寸mm) |       |       |
|------------------|------------------------|-------------------|-------|-------|
|                  |                        | A                 | B     | C     |
| 2                | MH1.25-2AWB            | 1.25              | 7.25  | 3.05  |
| 3                | MH1.25-3AWB            | 2.50              | 8.50  | 4.30  |
| 4                | MH1.25-4AWB            | 3.75              | 9.75  | 5.55  |
| 5                | MH1.25-5AWB            | 5.00              | 11.00 | 6.80  |
| 6                | MH1.25-6AWB            | 6.25              | 12.25 | 8.05  |
| 7                | MH1.25-7AWB            | 7.50              | 13.50 | 9.30  |
| 8                | MH1.25-8AWB            | 8.75              | 14.75 | 10.55 |
| 9                | MH1.25-9AWB            | 10.00             | 16.00 | 11.80 |
| 10               | MH1.25-10AWB           | 11.25             | 17.25 | 13.05 |
| 11               | MH1.25-11AWB           | 12.50             | 18.50 | 14.30 |
| 12               | MH1.25-12AWB           | 13.75             | 19.75 | 15.55 |
| 13               | MH1.25-13AWB           | 15.00             | 21.00 | 16.80 |
| 14               | MH1.25-14AWB           | 16.25             | 22.25 | 18.05 |
| 15               | MH1.25-15AWB           | 17.50             | 23.50 | 19.30 |
| 16               | MH1.25-16AWB           | 18.75             | 24.75 | 20.55 |

Material (材料)

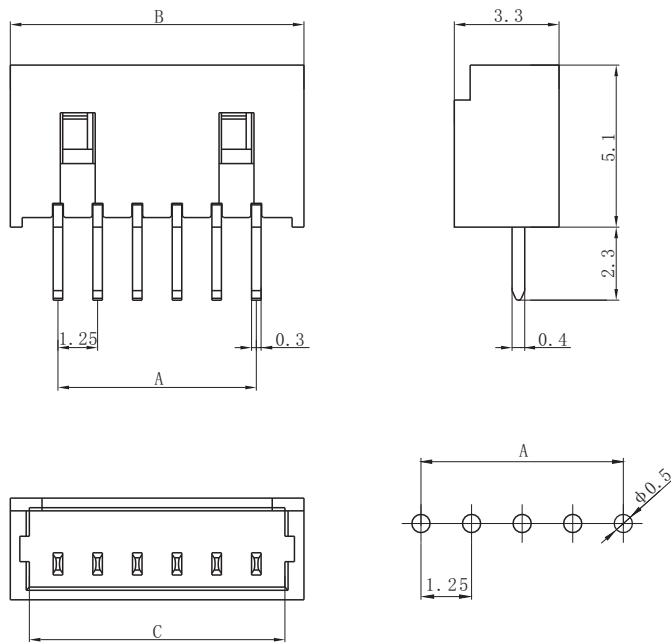
Housing (胶壳): LCP U194V-0

Wafer (接触件): Phosphor bronze (磷青铜) / Tin plated (镀锡)

Solder tabs (焊片): Brass (黄铜) / Tin plated (镀锡)

符合RoHS标准  
RoHS compliance

□ DL12501-A (MH1.25-A)



| Circuits<br>(电路) | Product name<br>(产品名称) | Dimensions (尺寸mm) |       |       |
|------------------|------------------------|-------------------|-------|-------|
|                  |                        | A                 | B     | C     |
| 2                | MH1.25-2A              | 1.25              | 4.25  | 3.05  |
| 3                | MH1.25-3A              | 2.50              | 8.50  | 4.30  |
| 4                | MH1.25-4A              | 3.75              | 6.75  | 5.55  |
| 5                | MH1.25-5A              | 5.00              | 8.00  | 6.80  |
| 6                | MH1.25-6A              | 6.25              | 9.25  | 8.05  |
| 7                | MH1.25-7A              | 7.50              | 10.50 | 9.30  |
| 8                | MH1.25-8A              | 8.75              | 11.75 | 10.55 |
| 9                | MH1.25-9A              | 10.00             | 13.00 | 11.80 |
| 10               | MH1.25-10A             | 11.25             | 14.25 | 13.05 |
| 11               | MH1.25-11A             | 12.50             | 15.50 | 14.30 |
| 12               | MH1.25-12A             | 13.75             | 16.75 | 15.55 |
| 13               | MH1.25-13A             | 15.00             | 18.00 | 16.80 |
| 14               | MH1.25-14A             | 16.25             | 19.25 | 18.05 |
| 15               | MH1.25-15A             | 17.50             | 20.50 | 19.30 |
| 16               | MH1.25-16A             | 18.75             | 21.75 | 20.55 |

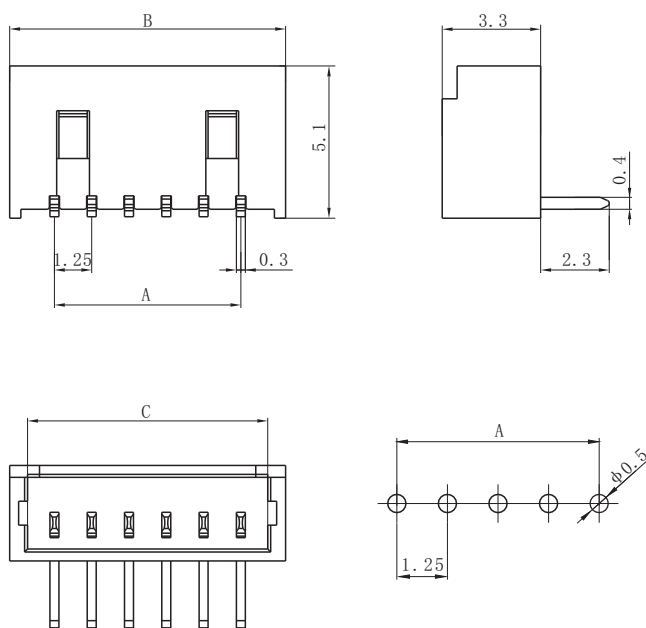
Material (材料)

Housing (胶壳): Nylon (尼龙) UL94V-0 (2)

Wafer (接触件): Phosphor bronze (磷青铜) / Tin plated (镀锡)

符合RoHS标准  
RoHS compliance

□ DL12501-AW (MH1.25-AW)



| Circuits<br>(电路) | Product name<br>(产品名称) | Dimensions (尺寸mm) |       |       |
|------------------|------------------------|-------------------|-------|-------|
|                  |                        | A                 | B     | C     |
| 2                | MH1.25-2AW             | 1.25              | 4.25  | 3.05  |
| 3                | MH1.25-3AW             | 2.50              | 8.50  | 4.30  |
| 4                | MH1.25-4AW             | 3.75              | 6.75  | 5.55  |
| 5                | MH1.25-5AW             | 5.00              | 8.00  | 6.80  |
| 6                | MH1.25-6AW             | 6.25              | 9.25  | 8.05  |
| 7                | MH1.25-7AW             | 7.50              | 10.50 | 9.30  |
| 8                | MH1.25-8AW             | 8.75              | 11.75 | 10.55 |
| 9                | MH1.25-9AW             | 10.00             | 13.00 | 11.80 |
| 10               | MH1.25-10AW            | 11.25             | 14.25 | 13.05 |
| 11               | MH1.25-11AW            | 12.50             | 15.50 | 14.30 |
| 12               | MH1.25-12AW            | 13.75             | 16.75 | 15.55 |
| 13               | MH1.25-13AW            | 15.00             | 18.00 | 16.80 |
| 14               | MH1.25-14AW            | 16.25             | 19.25 | 18.05 |
| 15               | MH1.25-15AW            | 17.50             | 20.50 | 19.30 |
| 16               | MH1.25-16AW            | 18.75             | 21.75 | 20.55 |

Material (材料)

Housing (胶壳): Nylon (尼龙) UL94V-0 (2)

Wafer (接触件): Phosphor bronze (磷青铜) / Tin plated (镀锡)

符合RoHS标准  
RoHS compliance

□ DL12501-R (MH1.25-R)



| Circuits<br>(电路) | Product name<br>(产品名称) | Dimensions (尺寸mm) |       |
|------------------|------------------------|-------------------|-------|
|                  |                        | A                 | B     |
| 2                | MH1.25-2R              | 1.25              | 4.25  |
| 3                | MH1.25-3R              | 2.50              | 5.50  |
| 4                | MH1.25-4R              | 3.75              | 6.75  |
| 5                | MH1.25-5R              | 5.00              | 8.00  |
| 6                | MH1.25-6R              | 6.25              | 9.25  |
| 7                | MH1.25-7R              | 7.50              | 10.50 |
| 8                | MH1.25-8R              | 8.75              | 11.75 |
| 9                | MH1.25-9R              | 10.00             | 13.00 |
| 10               | MH1.25-10R             | 11.25             | 14.25 |
| 11               | MH1.25-11R             | 12.50             | 15.50 |
| 12               | MH1.25-12R             | 13.75             | 16.75 |
| 13               | MH1.25-13R             | 15.00             | 18.00 |
| 14               | MH1.25-14R             | 16.25             | 19.25 |
| 15               | MH1.25-15R             | 17.50             | 20.50 |
| 16               | MH1.25-16R             | 18.75             | 21.75 |

Material (材料)

Housing (胶壳): Nylon (尼龙) UL94V-0 (2)

符合RoHS标准  
RoHS compliance

## X-ON Electronics

Largest Supplier of Electrical and Electronic Components

*Click to view similar products for [Headers & Wire Housings](#) category:*

*Click to view products by [DLL](#) manufacturer:*

Other Similar products are found below :

[0015917161](#) [0022155065](#) [57102-F02-18ULF](#) [58102-G61-06LF](#) [582553-1](#) [01.001.5753.1](#) [0050291907](#) [02.125.8002.8](#) [609-3404](#) [61062-3](#)  
[CSU011177004](#) [622-0430](#) [622-3653LF](#) [63453-116](#) [636-1030](#) [636-1427](#) [636-3427](#) [636-4007](#) [641938-9](#) [65495-038](#) [65692-001LF](#) [65781-018](#)  
[65781-047](#) [65817-010LF](#) [65817-015LF](#) [67095-007LF](#) [67601157](#) [68631-112](#) [68645-018](#) [699319-000](#) [70.362.1628.0](#) [70-4210](#) [70-4226B](#) [70-](#)  
[4853B](#) [71.350.2428.0](#) [733-134](#) [733-162](#) [760-3052](#) [MHR-64-VUAL](#) [80.063.4001.1](#) [800-90-001-10-001000](#) [801-43-002-10-013000](#)  
[801-43-006-10-002000](#) [803-43-024-10-001000](#) [803-93-012-10-001000](#) [8-1437020-4](#) [819-22-004-30-001101](#) [820-22-006-30-001101](#)  
[820-22-008-30-001101](#) [821-22-002-10-001101](#)