

技术特性/Specifications:

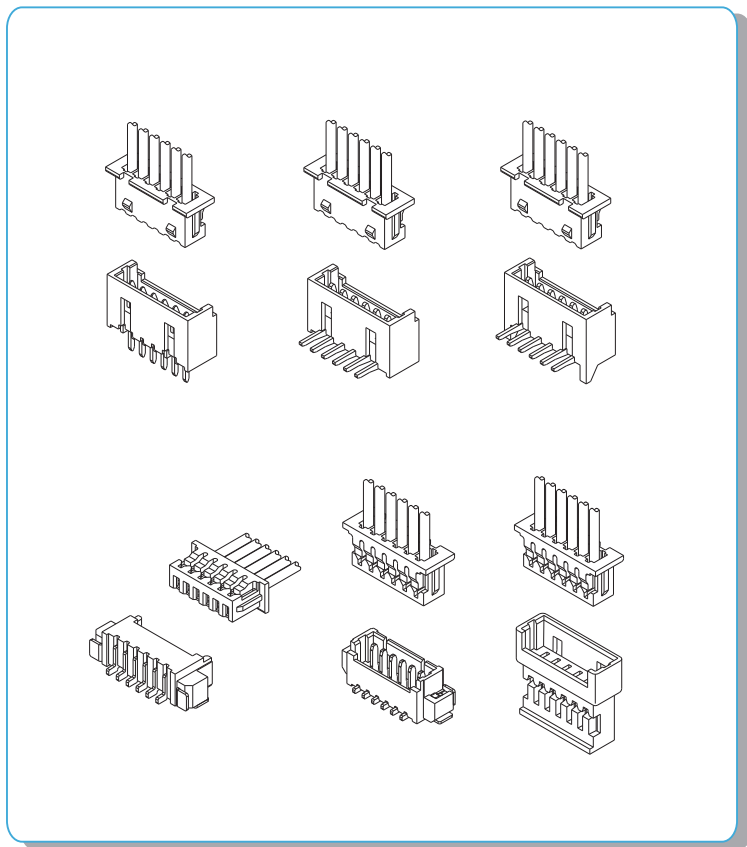
额定电压 Rated voltage: 125V AC, DC
 额定电流 Rated current: 1A AC, DC
 接触电阻 Contact resistance: 20mΩ max
 绝缘电阻 Insulation resistance: 100MΩ min
 耐压 Withstand voltage: 500V AC/minute
 环境温度 Ambient temperature: -25°C~+85°C
 适用线规 Wire range: AWG#32~#28

标准/Standard:



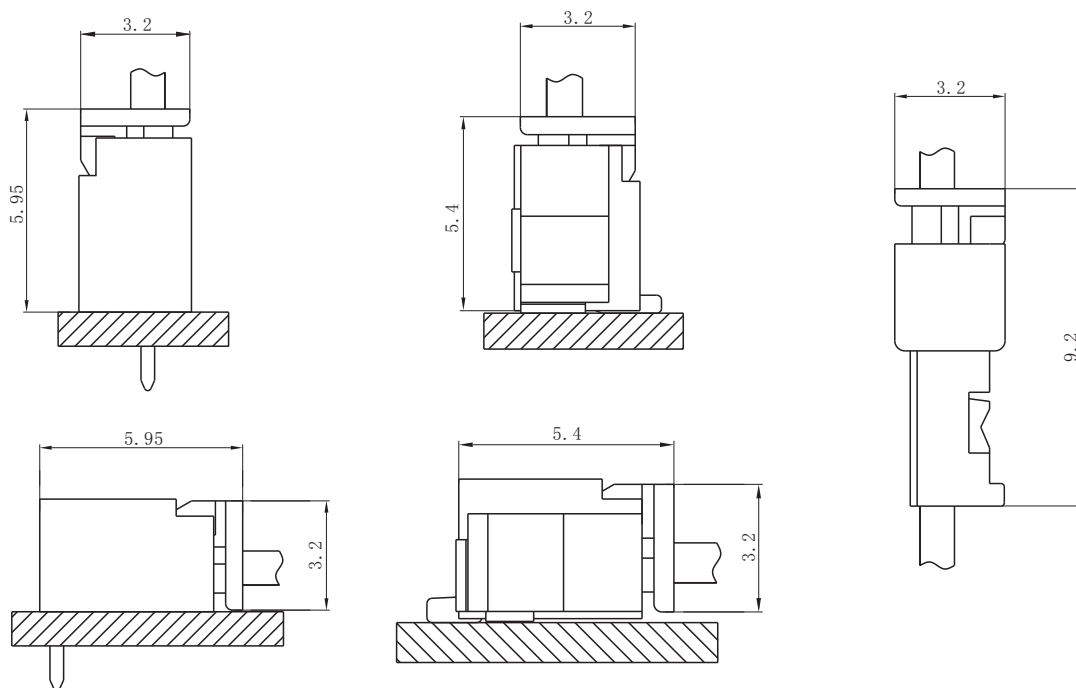
详细参数请咨询:

- E-mail: manager@zjdll.com
- E-mail: technical-support@zjdll.com
- WeChat: 13867778918



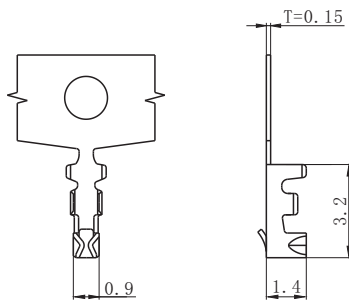
PC电路板布局和组件布局 PC board layout and Assembly layout

□ Assembly layout (装配布局)

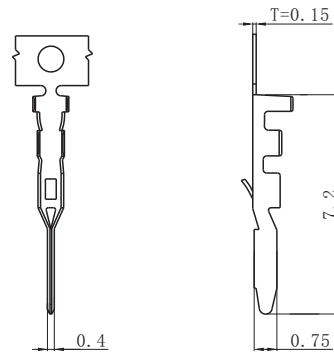


上图为连接器安装侧观察图
 Notes: The above figure is the figure viewed from the connector mounting side.

□ DL12501-T (MH1.25-T)



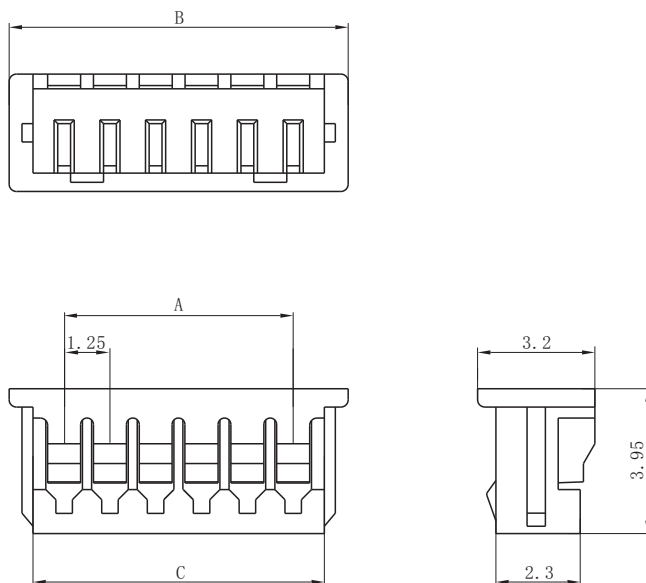
□ DL12501-RT (MH1.25-RT)



Model No. (型号)	Applicable wire (适用线规)			Material (材料)	Plating (电镀)	Qty/reel (数量/盘)
	mm ²	AWG#	Insulation O.D. (绝缘外径mm)			
DL12501-T (MH1.25-T)	0.032~0.08	32~28	φ 0.5~1.0	Phosphor bronze (磷青铜)	Tin Plated (镀锡)	15000
DL12501-RT (MH1.25-RT)	0.032~0.08	32~28	φ 0.5~1.0	Phosphor bronze (磷青铜)	Tin Plated (镀锡)	15000

符合RoHS标准
RoHS compliance

□ DL12501-Y (MH1.25-Y)



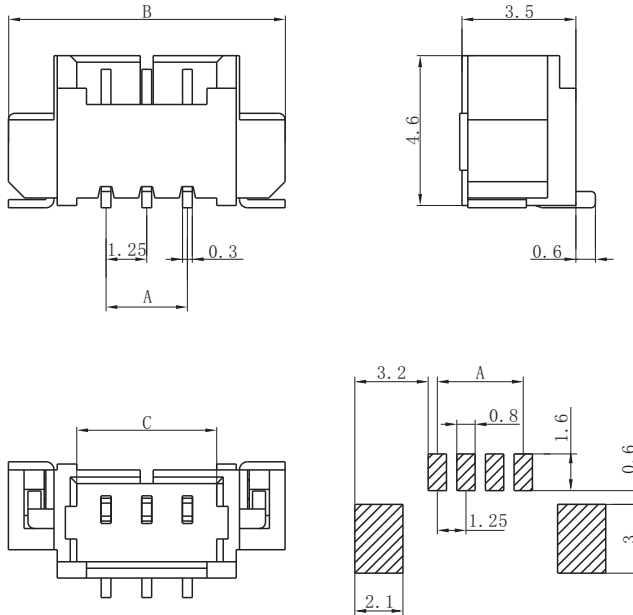
Circuits (电路)	Product name (产品名称)	Dimensions (尺寸mm)		
		A	B	C
2	MH1.25-2Y	1.25	4.25	2.95
3	MH1.25-3Y	2.50	5.50	4.20
4	MH1.25-4Y	3.75	6.75	5.45
5	MH1.25-5Y	5.00	8.00	6.70
6	MH1.25-6Y	6.25	9.25	7.95
7	MH1.25-7Y	7.50	10.50	9.20
8	MH1.25-8Y	8.75	11.75	10.45
9	MH1.25-9Y	10.00	13.00	11.70
10	MH1.25-10Y	11.25	14.25	12.95
11	MH1.25-11Y	12.50	15.50	14.20
12	MH1.25-12Y	13.75	16.75	15.45
13	MH1.25-13Y	15.00	18.00	16.70
14	MH1.25-14Y	16.25	19.25	17.95
15	MH1.25-15Y	17.50	20.50	19.20
16	MH1.25-16Y	18.75	21.75	20.45

Material (材料)

Housing (胶壳): Nylon (尼龙) UL94V-0 (2)

符合RoHS标准
RoHS compliance

□ DL12501-AB (MH1.25-AB)



Circuits (电路)	Product name (产品名称)	Dimensions (尺寸mm)		
		A	B	C
2	MH1.25-2AB	1.25	7.25	3.05
3	MH1.25-3AB	2.50	8.50	4.30
4	MH1.25-4AB	3.75	9.75	5.55
5	MH1.25-5AB	5.00	11.00	6.80
6	MH1.25-6AB	6.25	12.25	8.05
7	MH1.25-7AB	7.50	13.50	9.30
8	MH1.25-8AB	8.75	14.75	10.55
9	MH1.25-9AB	10.00	16.00	11.80
10	MH1.25-10AB	11.25	17.25	13.05
11	MH1.25-11AB	12.50	18.50	14.30
12	MH1.25-12AB	13.75	19.75	15.55
13	MH1.25-13AB	15.00	21.00	16.80
14	MH1.25-14AB	16.25	22.25	18.05
15	MH1.25-15AB	17.50	23.50	19.30
16	MH1.25-16AB	18.75	24.75	20.55

Material (材料)

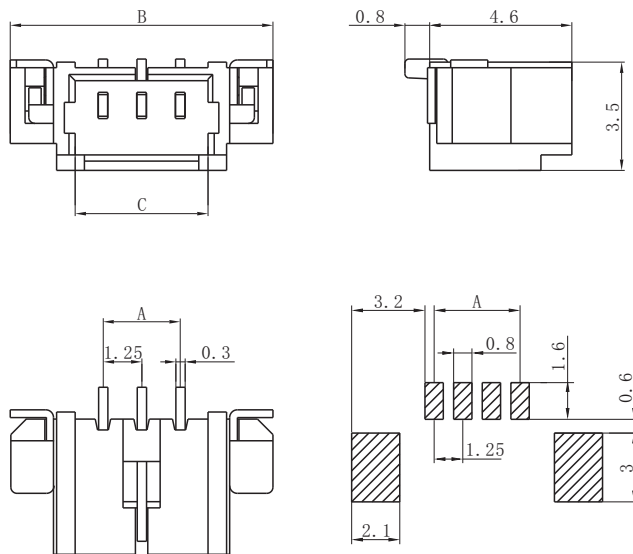
Housing (胶壳): LCP U194V-0

Wafer (接触件): Phosphor bronze (磷青铜) / Tin plated (镀锡)

Solder tabs (焊片): Brass (黄铜) / Tin plated (镀锡)

符合RoHS标准
RoHS compliance

□ DL12501-AWB (MH1.25-AWB)



Circuits (电路)	Product name (产品名称)	Dimensions (尺寸mm)		
		A	B	C
2	MH1.25-2AWB	1.25	7.25	3.05
3	MH1.25-3AWB	2.50	8.50	4.30
4	MH1.25-4AWB	3.75	9.75	5.55
5	MH1.25-5AWB	5.00	11.00	6.80
6	MH1.25-6AWB	6.25	12.25	8.05
7	MH1.25-7AWB	7.50	13.50	9.30
8	MH1.25-8AWB	8.75	14.75	10.55
9	MH1.25-9AWB	10.00	16.00	11.80
10	MH1.25-10AWB	11.25	17.25	13.05
11	MH1.25-11AWB	12.50	18.50	14.30
12	MH1.25-12AWB	13.75	19.75	15.55
13	MH1.25-13AWB	15.00	21.00	16.80
14	MH1.25-14AWB	16.25	22.25	18.05
15	MH1.25-15AWB	17.50	23.50	19.30
16	MH1.25-16AWB	18.75	24.75	20.55

Material (材料)

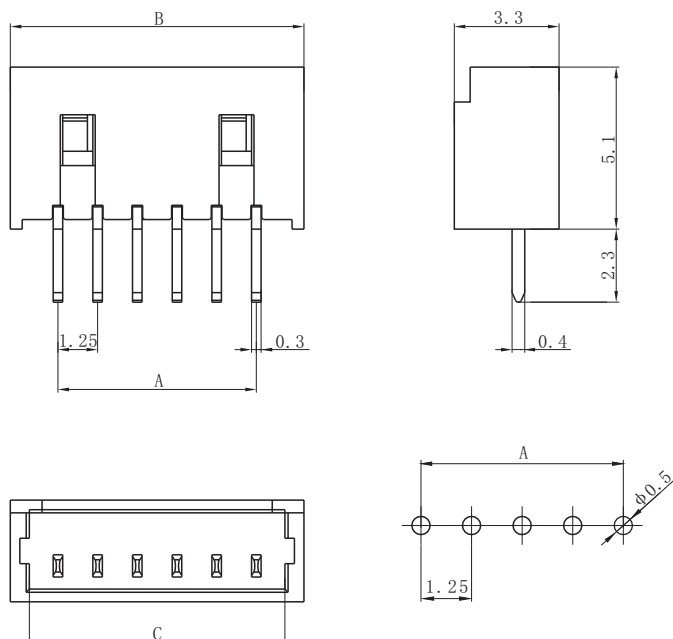
Housing (胶壳): LCP U194V-0

Wafer (接触件): Phosphor bronze (磷青铜) / Tin plated (镀锡)

Solder tabs (焊片): Brass (黄铜) / Tin plated (镀锡)

符合RoHS标准
RoHS compliance

□ DL12501-A (MH1.25-A)



Circuits (电路)	Product name (产品名称)	Dimensions (尺寸mm)		
		A	B	C
2	MH1.25-2A	1.25	4.25	3.05
3	MH1.25-3A	2.50	8.50	4.30
4	MH1.25-4A	3.75	6.75	5.55
5	MH1.25-5A	5.00	8.00	6.80
6	MH1.25-6A	6.25	9.25	8.05
7	MH1.25-7A	7.50	10.50	9.30
8	MH1.25-8A	8.75	11.75	10.55
9	MH1.25-9A	10.00	13.00	11.80
10	MH1.25-10A	11.25	14.25	13.05
11	MH1.25-11A	12.50	15.50	14.30
12	MH1.25-12A	13.75	16.75	15.55
13	MH1.25-13A	15.00	18.00	16.80
14	MH1.25-14A	16.25	19.25	18.05
15	MH1.25-15A	17.50	20.50	19.30
16	MH1.25-16A	18.75	21.75	20.55

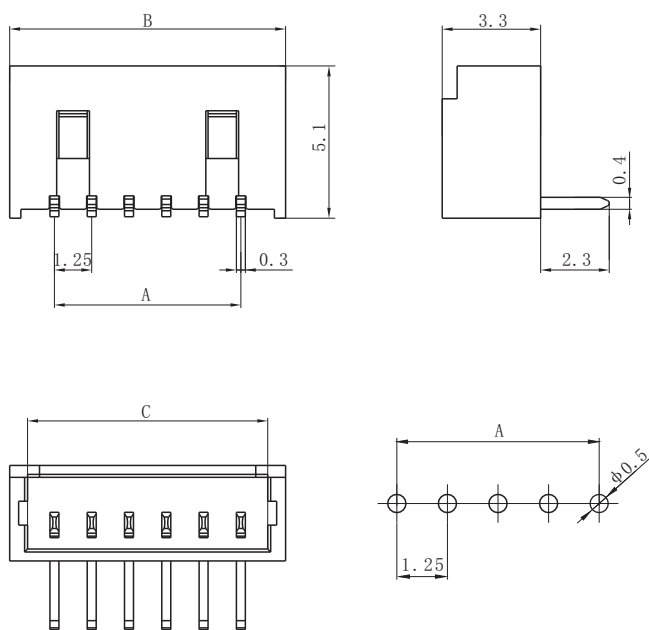
Material (材料)

Housing (胶壳): Nylon (尼龙) UL94V-0 (2)

Wafer (接触件): Phosphor bronze (磷青铜) / Tin plated (镀锡)

符合RoHS标准
RoHS compliance

□ DL12501-AW (MH1.25-AW)



Circuits (电路)	Product name (产品名称)	Dimensions (尺寸mm)		
		A	B	C
2	MH1.25-2AW	1.25	4.25	3.05
3	MH1.25-3AW	2.50	8.50	4.30
4	MH1.25-4AW	3.75	6.75	5.55
5	MH1.25-5AW	5.00	8.00	6.80
6	MH1.25-6AW	6.25	9.25	8.05
7	MH1.25-7AW	7.50	10.50	9.30
8	MH1.25-8AW	8.75	11.75	10.55
9	MH1.25-9AW	10.00	13.00	11.80
10	MH1.25-10AW	11.25	14.25	13.05
11	MH1.25-11AW	12.50	15.50	14.30
12	MH1.25-12AW	13.75	16.75	15.55
13	MH1.25-13AW	15.00	18.00	16.80
14	MH1.25-14AW	16.25	19.25	18.05
15	MH1.25-15AW	17.50	20.50	19.30
16	MH1.25-16AW	18.75	21.75	20.55

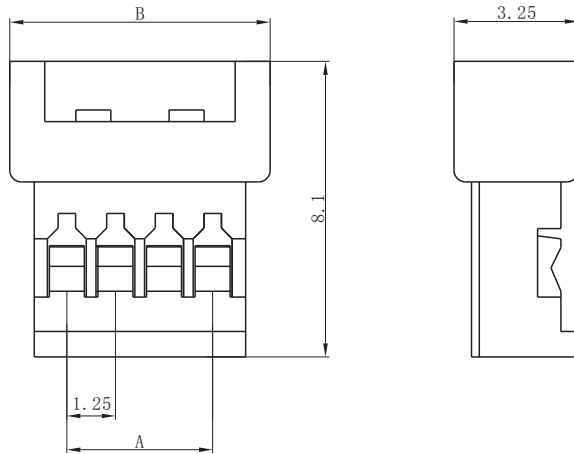
Material (材料)

Housing (胶壳): Nylon (尼龙) UL94V-0 (2)

Wafer (接触件): Phosphor bronze (磷青铜) / Tin plated (镀锡)

符合RoHS标准
RoHS compliance

□ DL12501-R (MH1.25-R)



Circuits (电路)	Product name (产品名称)	Dimensions (尺寸mm)	
		A	B
2	MH1.25-2R	1.25	4.25
3	MH1.25-3R	2.50	5.50
4	MH1.25-4R	3.75	6.75
5	MH1.25-5R	5.00	8.00
6	MH1.25-6R	6.25	9.25
7	MH1.25-7R	7.50	10.50
8	MH1.25-8R	8.75	11.75
9	MH1.25-9R	10.00	13.00
10	MH1.25-10R	11.25	14.25
11	MH1.25-11R	12.50	15.50
12	MH1.25-12R	13.75	16.75
13	MH1.25-13R	15.00	18.00
14	MH1.25-14R	16.25	19.25
15	MH1.25-15R	17.50	20.50
16	MH1.25-16R	18.75	21.75

Material (材料)

Housing (胶壳): Nylon (尼龙) UL94V-0 (2)

符合RoHS标准
RoHS compliance

X-ON Electronics

Largest Supplier of Electrical and Electronic Components

Click to view similar products for [Headers & Wire Housings](#) category:

Click to view products by [DLL](#) manufacturer:

Other Similar products are found below :

[0015917161](#) [0022155065](#) [57102-F02-18ULF](#) [58102-G61-06LF](#) [582553-1](#) [01.001.5753.1](#) [0050291907](#) [02.125.8002.8](#) [609-3404](#) [61062-3](#)
[CSU011177004](#) [622-0430](#) [622-3653LF](#) [63453-116](#) [636-1030](#) [636-1427](#) [636-3427](#) [636-4007](#) [641938-9](#) [65495-038](#) [65692-001LF](#) [65781-018](#)
[65781-047](#) [65817-010LF](#) [65817-015LF](#) [67095-007LF](#) [67601157](#) [68631-112](#) [68645-018](#) [699319-000](#) [70.362.1628.0](#) [70-4210](#) [70-4226B](#) [70-](#)
[4853B](#) [71.350.2428.0](#) [733-134](#) [733-162](#) [760-3052](#) [MHR-64-VUAL](#) [80.063.4001.1](#) [800-90-001-10-001000](#) [801-43-002-10-013000](#)
[801-43-006-10-002000](#) [803-43-024-10-001000](#) [803-93-012-10-001000](#) [8-1437020-4](#) [819-22-004-30-001101](#) [820-22-006-30-001101](#)
[820-22-008-30-001101](#) [821-22-002-10-001101](#)