

技术特性/Specifications:

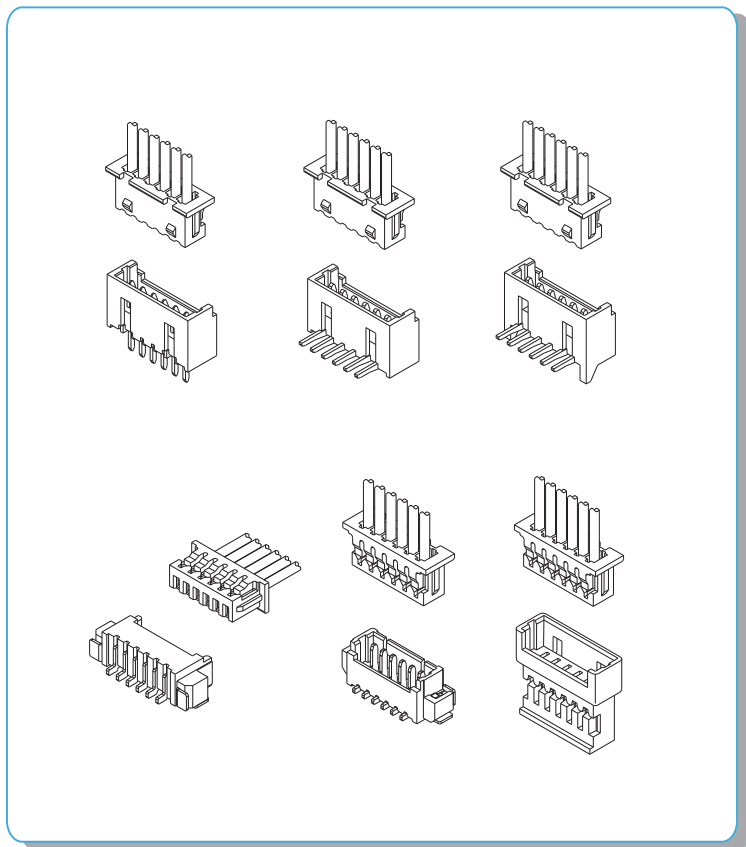
额定电压 Rated voltage: 125V AC, DC
 额定电流 Rated current: 1A AC, DC
 接触电阻 Contact resistance: 20mΩ max
 绝缘电阻 Insulation resistance: 100MΩ min
 耐压 Withstand voltage: 500V AC/minute
 环境温度 Ambient temperature: -25°C~+85°C
 适用线规 Wire range: AWG#32~#28

标准/Standard:



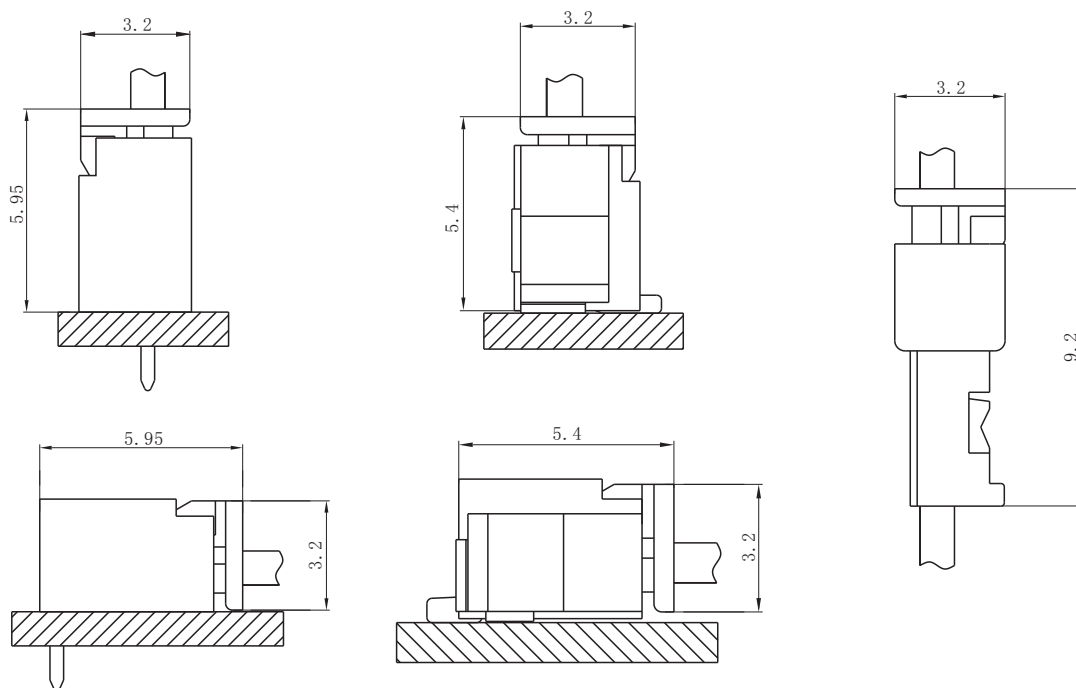
详细参数请咨询:

- E-mail: manager@zjdll.com
- E-mail: technical-support@zjdll.com
- WeChat: 13867778918



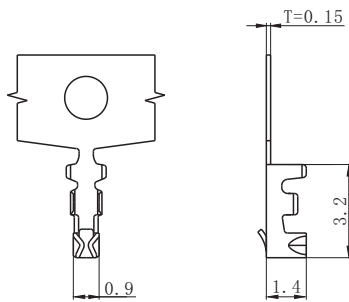
PC电路板布局和组件布局 PC board layout and Assembly layout

□ Assembly layout (装配布局)

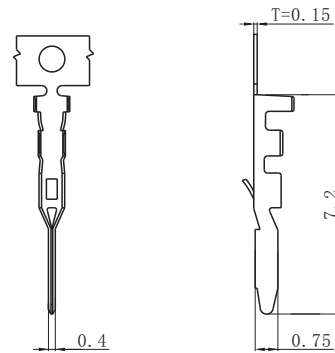


上图为连接器安装侧观察图
 Notes: The above figure is the figure viewed from the connector mounting side.

□ DL12501-T (MH1.25-T)



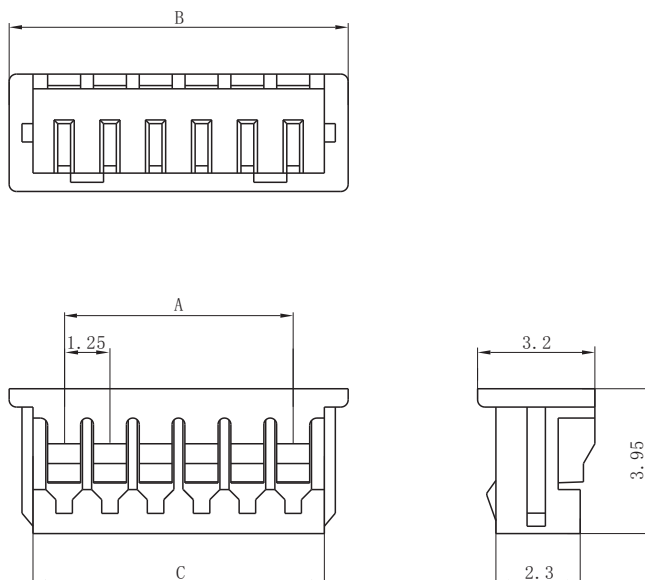
□ DL12501-RT (MH1.25-RT)



| Model No. (型号) | Applicable wire (适用线规) | | | Material (材料) | Plating (电镀) | Qty/reel (数量/盘) |
|------------------------|------------------------|-------|--------------------------|-----------------------|-----------------|-----------------|
| | mm ² | AWG# | Insulation O.D. (绝缘外径mm) | | | |
| DL12501-T (MH1.25-T) | 0.032~0.08 | 32~28 | φ 0.5~1.0 | Phosphor bronze (磷青铜) | Tin Plated (镀锡) | 15000 |
| DL12501-RT (MH1.25-RT) | 0.032~0.08 | 32~28 | φ 0.5~1.0 | Phosphor bronze (磷青铜) | Tin Plated (镀锡) | 15000 |

符合RoHS标准
RoHS compliance

□ DL12501-Y (MH1.25-Y)



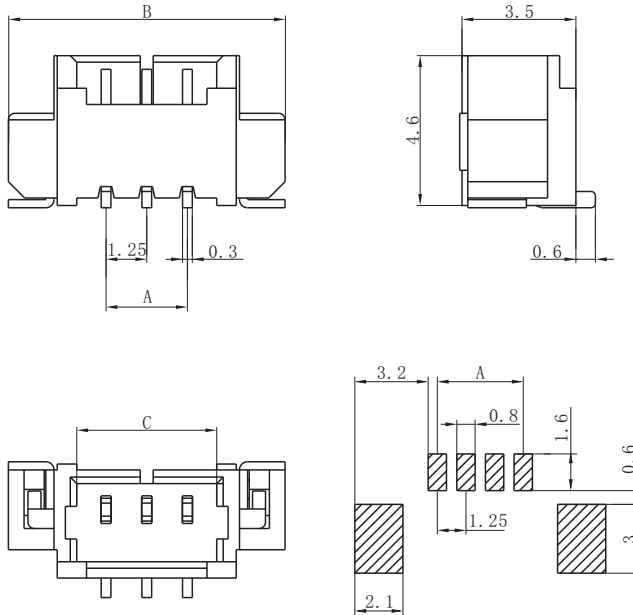
| Circuits (电路) | Product name (产品名称) | Dimensions (尺寸mm) | | |
|---------------|---------------------|-------------------|-------|-------|
| | | A | B | C |
| 2 | MH1.25-2Y | 1.25 | 4.25 | 2.95 |
| 3 | MH1.25-3Y | 2.50 | 5.50 | 4.20 |
| 4 | MH1.25-4Y | 3.75 | 6.75 | 5.45 |
| 5 | MH1.25-5Y | 5.00 | 8.00 | 6.70 |
| 6 | MH1.25-6Y | 6.25 | 9.25 | 7.95 |
| 7 | MH1.25-7Y | 7.50 | 10.50 | 9.20 |
| 8 | MH1.25-8Y | 8.75 | 11.75 | 10.45 |
| 9 | MH1.25-9Y | 10.00 | 13.00 | 11.70 |
| 10 | MH1.25-10Y | 11.25 | 14.25 | 12.95 |
| 11 | MH1.25-11Y | 12.50 | 15.50 | 14.20 |
| 12 | MH1.25-12Y | 13.75 | 16.75 | 15.45 |
| 13 | MH1.25-13Y | 15.00 | 18.00 | 16.70 |
| 14 | MH1.25-14Y | 16.25 | 19.25 | 17.95 |
| 15 | MH1.25-15Y | 17.50 | 20.50 | 19.20 |
| 16 | MH1.25-16Y | 18.75 | 21.75 | 20.45 |

Material (材料)

Housing (胶壳): Nylon (尼龙) UL94V-0 (2)

符合RoHS标准
RoHS compliance

□ DL12501-AB (MH1.25-AB)



| Circuits (电路) | Product name (产品名称) | Dimensions (尺寸mm) | | |
|------------------|------------------------|-------------------|-------|-------|
| | | A | B | C |
| 2 | MH1.25-2AB | 1.25 | 7.25 | 3.05 |
| 3 | MH1.25-3AB | 2.50 | 8.50 | 4.30 |
| 4 | MH1.25-4AB | 3.75 | 9.75 | 5.55 |
| 5 | MH1.25-5AB | 5.00 | 11.00 | 6.80 |
| 6 | MH1.25-6AB | 6.25 | 12.25 | 8.05 |
| 7 | MH1.25-7AB | 7.50 | 13.50 | 9.30 |
| 8 | MH1.25-8AB | 8.75 | 14.75 | 10.55 |
| 9 | MH1.25-9AB | 10.00 | 16.00 | 11.80 |
| 10 | MH1.25-10AB | 11.25 | 17.25 | 13.05 |
| 11 | MH1.25-11AB | 12.50 | 18.50 | 14.30 |
| 12 | MH1.25-12AB | 13.75 | 19.75 | 15.55 |
| 13 | MH1.25-13AB | 15.00 | 21.00 | 16.80 |
| 14 | MH1.25-14AB | 16.25 | 22.25 | 18.05 |
| 15 | MH1.25-15AB | 17.50 | 23.50 | 19.30 |
| 16 | MH1.25-16AB | 18.75 | 24.75 | 20.55 |

Material (材料)

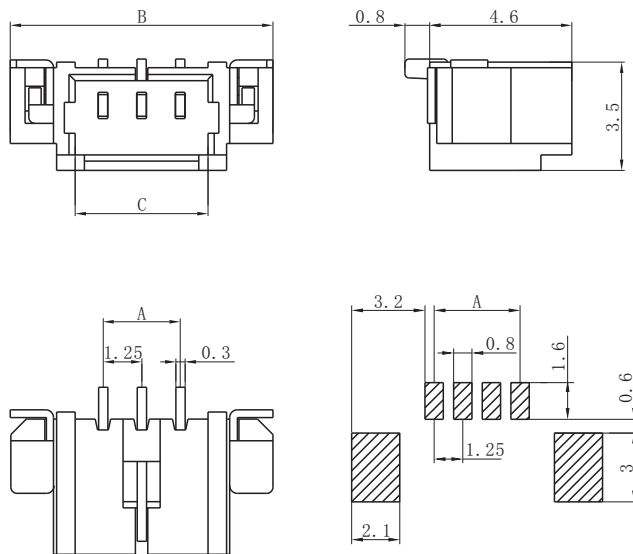
Housing (胶壳): LCP U194V-0

Wafer (接触件): Phosphor bronze (磷青铜) / Tin plated (镀锡)

Solder tabs (焊片): Brass (黄铜) / Tin plated (镀锡)

符合RoHS标准
RoHS compliance

□ DL12501-AWB (MH1.25-AWB)



| Circuits (电路) | Product name (产品名称) | Dimensions (尺寸mm) | | |
|------------------|------------------------|-------------------|-------|-------|
| | | A | B | C |
| 2 | MH1.25-2AWB | 1.25 | 7.25 | 3.05 |
| 3 | MH1.25-3AWB | 2.50 | 8.50 | 4.30 |
| 4 | MH1.25-4AWB | 3.75 | 9.75 | 5.55 |
| 5 | MH1.25-5AWB | 5.00 | 11.00 | 6.80 |
| 6 | MH1.25-6AWB | 6.25 | 12.25 | 8.05 |
| 7 | MH1.25-7AWB | 7.50 | 13.50 | 9.30 |
| 8 | MH1.25-8AWB | 8.75 | 14.75 | 10.55 |
| 9 | MH1.25-9AWB | 10.00 | 16.00 | 11.80 |
| 10 | MH1.25-10AWB | 11.25 | 17.25 | 13.05 |
| 11 | MH1.25-11AWB | 12.50 | 18.50 | 14.30 |
| 12 | MH1.25-12AWB | 13.75 | 19.75 | 15.55 |
| 13 | MH1.25-13AWB | 15.00 | 21.00 | 16.80 |
| 14 | MH1.25-14AWB | 16.25 | 22.25 | 18.05 |
| 15 | MH1.25-15AWB | 17.50 | 23.50 | 19.30 |
| 16 | MH1.25-16AWB | 18.75 | 24.75 | 20.55 |

Material (材料)

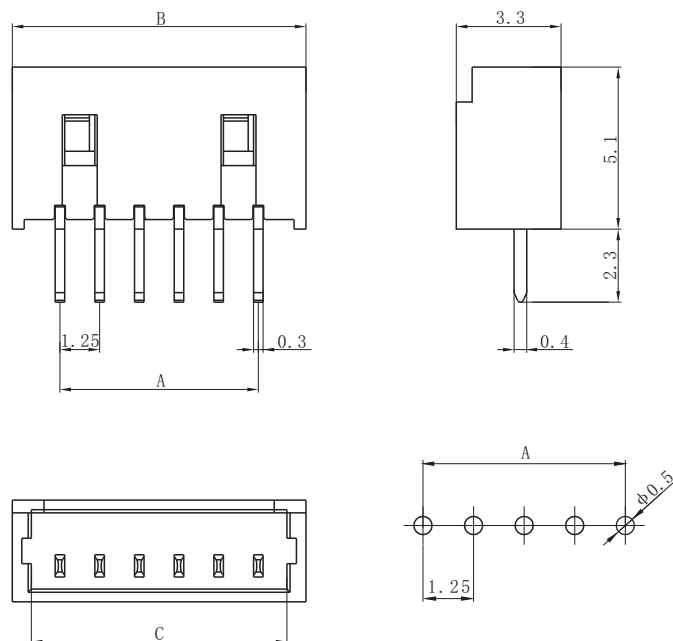
Housing (胶壳): LCP U194V-0

Wafer (接触件): Phosphor bronze (磷青铜) / Tin plated (镀锡)

Solder tabs (焊片): Brass (黄铜) / Tin plated (镀锡)

符合RoHS标准
RoHS compliance

DL12501-A (MH1.25-A)



| Circuits (电路) | Product name (产品名称) | Dimensions (尺寸mm) | | |
|------------------|------------------------|-------------------|-------|-------|
| | | A | B | C |
| 2 | MH1.25-2A | 1.25 | 4.25 | 3.05 |
| 3 | MH1.25-3A | 2.50 | 8.50 | 4.30 |
| 4 | MH1.25-4A | 3.75 | 6.75 | 5.55 |
| 5 | MH1.25-5A | 5.00 | 8.00 | 6.80 |
| 6 | MH1.25-6A | 6.25 | 9.25 | 8.05 |
| 7 | MH1.25-7A | 7.50 | 10.50 | 9.30 |
| 8 | MH1.25-8A | 8.75 | 11.75 | 10.55 |
| 9 | MH1.25-9A | 10.00 | 13.00 | 11.80 |
| 10 | MH1.25-10A | 11.25 | 14.25 | 13.05 |
| 11 | MH1.25-11A | 12.50 | 15.50 | 14.30 |
| 12 | MH1.25-12A | 13.75 | 16.75 | 15.55 |
| 13 | MH1.25-13A | 15.00 | 18.00 | 16.80 |
| 14 | MH1.25-14A | 16.25 | 19.25 | 18.05 |
| 15 | MH1.25-15A | 17.50 | 20.50 | 19.30 |
| 16 | MH1.25-16A | 18.75 | 21.75 | 20.55 |

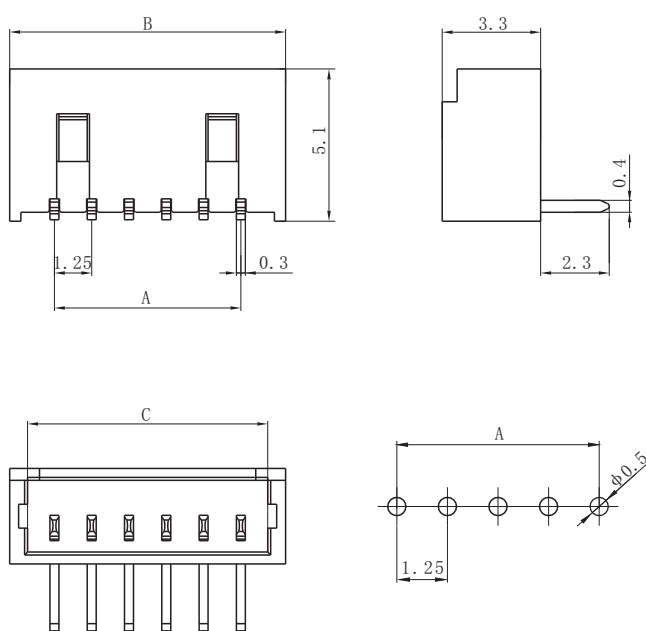
Material (材料)

Housing (胶壳): Nylon (尼龙) UL94V-0 (2)

Wafer (接触件): Phosphor bronze (磷青铜) / Tin plated (镀锡)

符合RoHS标准
RoHS compliance

DL12501-AW (MH1.25-AW)



| Circuits (电路) | Product name (产品名称) | Dimensions (尺寸mm) | | |
|------------------|------------------------|-------------------|-------|-------|
| | | A | B | C |
| 2 | MH1.25-2AW | 1.25 | 4.25 | 3.05 |
| 3 | MH1.25-3AW | 2.50 | 8.50 | 4.30 |
| 4 | MH1.25-4AW | 3.75 | 6.75 | 5.55 |
| 5 | MH1.25-5AW | 5.00 | 8.00 | 6.80 |
| 6 | MH1.25-6AW | 6.25 | 9.25 | 8.05 |
| 7 | MH1.25-7AW | 7.50 | 10.50 | 9.30 |
| 8 | MH1.25-8AW | 8.75 | 11.75 | 10.55 |
| 9 | MH1.25-9AW | 10.00 | 13.00 | 11.80 |
| 10 | MH1.25-10AW | 11.25 | 14.25 | 13.05 |
| 11 | MH1.25-11AW | 12.50 | 15.50 | 14.30 |
| 12 | MH1.25-12AW | 13.75 | 16.75 | 15.55 |
| 13 | MH1.25-13AW | 15.00 | 18.00 | 16.80 |
| 14 | MH1.25-14AW | 16.25 | 19.25 | 18.05 |
| 15 | MH1.25-15AW | 17.50 | 20.50 | 19.30 |
| 16 | MH1.25-16AW | 18.75 | 21.75 | 20.55 |

Material (材料)

Housing (胶壳): Nylon (尼龙) UL94V-0 (2)

Wafer (接触件): Phosphor bronze (磷青铜) / Tin plated (镀锡)

符合RoHS标准
RoHS compliance

□ DL12501-R (MH1.25-R)



| Circuits (电路) | Product name (产品名称) | Dimensions (尺寸mm) | |
|------------------|------------------------|-------------------|-------|
| | | A | B |
| 2 | MH1.25-2R | 1.25 | 4.25 |
| 3 | MH1.25-3R | 2.50 | 5.50 |
| 4 | MH1.25-4R | 3.75 | 6.75 |
| 5 | MH1.25-5R | 5.00 | 8.00 |
| 6 | MH1.25-6R | 6.25 | 9.25 |
| 7 | MH1.25-7R | 7.50 | 10.50 |
| 8 | MH1.25-8R | 8.75 | 11.75 |
| 9 | MH1.25-9R | 10.00 | 13.00 |
| 10 | MH1.25-10R | 11.25 | 14.25 |
| 11 | MH1.25-11R | 12.50 | 15.50 |
| 12 | MH1.25-12R | 13.75 | 16.75 |
| 13 | MH1.25-13R | 15.00 | 18.00 |
| 14 | MH1.25-14R | 16.25 | 19.25 |
| 15 | MH1.25-15R | 17.50 | 20.50 |
| 16 | MH1.25-16R | 18.75 | 21.75 |

Material (材料)

Housing (胶壳): Nylon (尼龙) UL94V-0 (2)

符合RoHS标准
RoHS compliance

X-ON Electronics

Largest Supplier of Electrical and Electronic Components

Click to view similar products for [Headers & Wire Housings](#) category:

Click to view products by [DLL](#) manufacturer:

Other Similar products are found below :

[0015917161](#) [0022155065](#) [57102-F02-18ULF](#) [58102-G61-06LF](#) [582553-1](#) [01.001.5753.1](#) [0050291907](#) [02.125.8002.8](#) [609-3404](#) [61062-3](#)
[CSU011177004](#) [622-0430](#) [622-3653LF](#) [63453-116](#) [636-1030](#) [636-1427](#) [636-3427](#) [636-4007](#) [641938-9](#) [65495-038](#) [65692-001LF](#) [65781-018](#)
[65781-047](#) [65817-010LF](#) [65817-015LF](#) [67095-007LF](#) [67601157](#) [68631-112](#) [68645-018](#) [699319-000](#) [70.362.1628.0](#) [70-4210](#) [70-4226B](#) [70-](#)
[4853B](#) [71.350.2428.0](#) [733-134](#) [733-162](#) [760-3052](#) [MHR-64-VUAL](#) [80.063.4001.1](#) [800-90-001-10-001000](#) [801-43-002-10-013000](#)
[801-43-006-10-002000](#) [803-43-024-10-001000](#) [803-93-012-10-001000](#) [8-1437020-4](#) [819-22-004-30-001101](#) [820-22-006-30-001101](#)
[820-22-008-30-001101](#) [821-22-002-10-001101](#)