

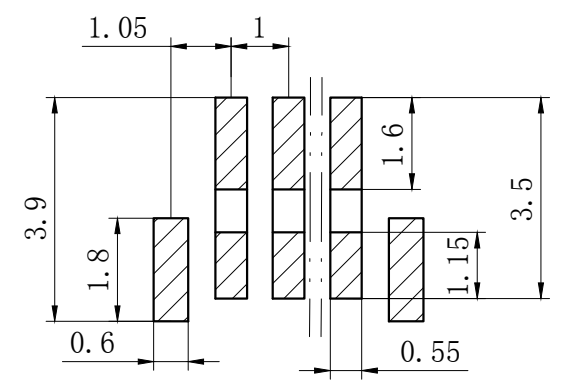
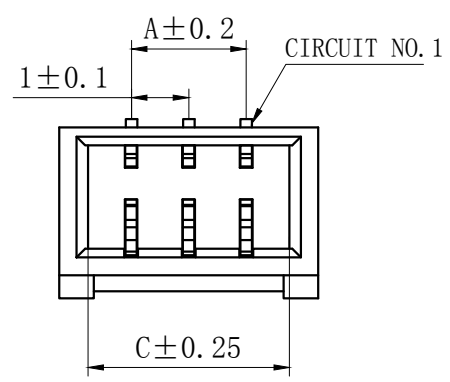
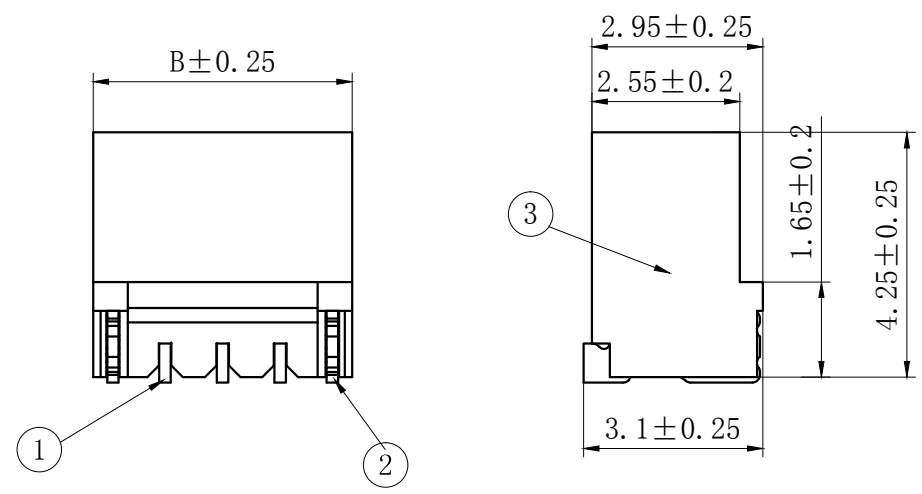
技术特性/Specifications:

额定电压 Rated voltage: 125V AC, DC
额定电流 Rated current: 1A AC, DC
接触电阻 Contact resistance: 20m Ω max
绝缘电阻 Insulation resistance: 100M Ω min
耐压 Withstand voltage: 500V AC/minute
环境温度 Ambient temperature: -40 $^{\circ}$ C~+105 $^{\circ}$ C
适用线规 Wire range: AWG#32~#28

REV.	REVISION DESCRIPTION	DATE	APPD

NOTES

Available in 02 through 20 Circuits.
 Mates with DL10006-Y Series Housing.
 Material :LCP UL94V-0.
 Material : Phosphor Bronze.
 Finish : Over Ni;Tin-plated.



PCB LAYOUT

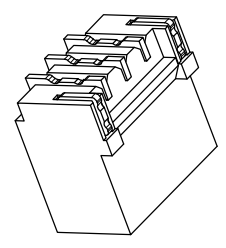
ORDERING INFORMATION

DL10006 - XX X - X XX - X X - X - XX
 1 2 3 4 5 6 7 8 9

- PART NO.
- . NO. OF CIRCUIT
- CONN. TYPE
- MATERIAL: 0:PA66 V0 1:PA66 V1 2:PA66 V2
 3:PA66 V0 750°C 4:LCP 5:PBT
 6:PA9T 7:9A6T 8:GF PA66
- COLOR: NA:NATURE RE:RED BR:BROWN
 GY:GREY BK:BLACK YE:YELLOW
 BL:BLUE GR:GREEN PU:PURPLE PI:PINK
 OR:ORANGE TR:TRANSPARENT OT:OTHER
- CONTACT MATERIAL: P:PHOSPJOR BRONZE B:BRASS
- FINISH: T:TIN MT:MATT TIN BG/QG:GOLD S:SILVER
- STYLE: Z:WITHOUT K K:WITH K
- SERIAL NUMBER: 00.01.02.....

3	③	基座	LCP	1	UL94-V0
2	②	焊片	黄铜	2	镀锡
1	①	接触件	磷青铜	N*	镀锡
序号	图号	名称	材料	数量	附件

Circuits	Type	Dimension mm			Circuits	Type	Dimension mm		
		A	B	C			A	B	C
2	NH1.0-2AB	1.0	3.5	2.5	11	NH1.0-11AB	10.0	12.5	11.5
3	NH1.0-3AB	2.0	4.5	3.5	12	NH1.0-12AB	11.0	13.5	12.5
4	NH1.0-4AB	3.0	5.5	4.5	13	NH1.0-13AB	12.0	14.5	13.5
5	NH1.0-5AB	4.0	6.5	5.5	14	NH1.0-14AB	13.0	15.5	14.5
6	NH1.0-6AB	5.0	7.5	6.5	15	NH1.0-15AB	14.0	16.5	15.5
7	NH1.0-7AB	6.0	8.5	7.5	16	NH1.0-16AB	15.0	17.5	16.5
8	NH1.0-8AB	7.0	9.5	8.5	17	NH1.0-17AB	16.0	18.5	17.5
9	NH1.0-9AB	8.0	10.5	9.5	-	-	-	-	-
10	NH1.0-10AB	9.0	11.5	10.5	20	NH1.0-20AB	19.0	21.5	20.5

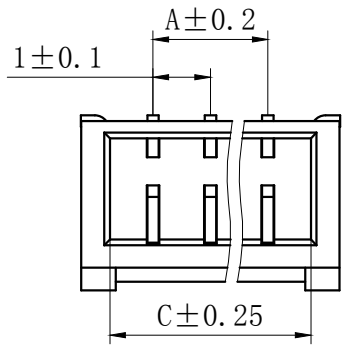
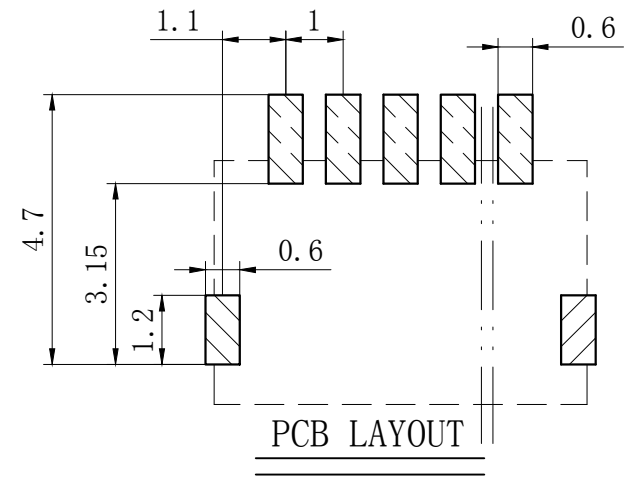
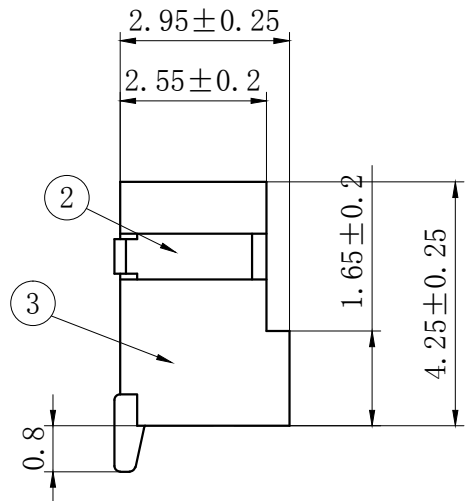
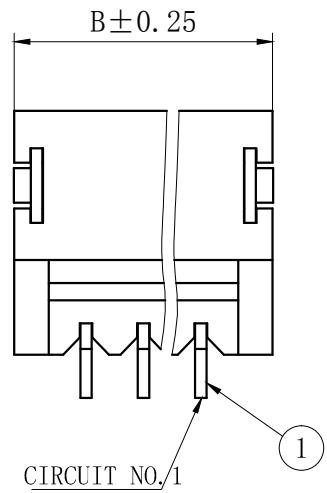


GENERAL TOLERANCES (UNLESS SPECIFIED)		浙江利接插件有限公司 ZHEJIANG DELI CONNECTORS CO.,LTD	
.X: ± 0.25	X°: ± 3.0°	PRODUCT NAME: DL10006-AB(NH1.0-AB)	TITLE: 1.0mm Pitch Wire To Board SMT Wafer
.XX: ± 0.15	.X°: ± 2.0°	DR:Chen Quan Long	DATE:20.12.31
.XXX: ± 0.01	.XX°: ± 1.0°	DATE:20.12.31	PART NO: DL10006-XXB-XXX-XX-X-XX
FINISH: —		CHKD: Wu Hui	DATE:20.12.31
DRAWING NO: GC-DL10006-XXB-XXX-XX-X-XX		APPD:Ren An De	DATE:20.12.31
		SCALE: N/A	PAGE: 1/1
		UNITS: mm	REV.: A

REV.	REVISION DESCRIPTION	DATE	APPD

NOTES

Available in 02 through 20 Circuits.
 Mates with DL10006-Y Series Housing.
 Material :LCP UL94V-0.
 Material : Phosphor Bronze.
 Finish : Over Ni;Tin-plated.



ORDERING INFORMATION

DL10006 - XX X - X XX - X X - X - XX
 1 2 3 4 5 6 7 8 9

- PART NO.
- NO. OF CIRCUIT
- CONN. TYPE
- MATERIAL: 0:PA66 V0 1:PA66 V1 2:PA66 V2
 3:PA66 V0 750 °C 4:LCP 5:PBT
 6:PA9T 7:9A6T 8:GF PA66
- COLOR: NA:NATURE RE:RED BR:BROWN
 GY:GREY BK:BLACK YE:YELLOW
 BL:BLUE GR:GREEN PU:PURPLE PI:PINK
 OR:ORANGE TR:TRANSPARENT OT:OTHER
- CONTACT MATERIAL: P:PHOSPHOR BRONZE B:BRASS
- FINISH: T:TIN MT:MATT TIN BG/QG:GOLD S:SILVER
- STYLE: Z:WITHOUT K K:WITH K
- SERIAL NUMBER: 00.01.02.....

3	③	基座	LCP	1	UL94-V0
2	②	焊片	黄铜	2	镀锡
1	①	接触件	磷青铜	N*	镀锡
序号	图号	名称	材料	数量	附件

Circuits	Type	Dimension mm			Circuits	Type	Dimension mm		
		A	B	C			A	B	C
2	NH1.0-2AWB	1.0	3.5	2.5	11	NH1.0-11AWB	10.0	12.5	11.5
3	NH1.0-3AWB	2.0	4.5	3.5	12	NH1.0-12AWB	11.0	13.5	12.5
4	NH1.0-4AWB	3.0	5.5	4.5	13	NH1.0-13AWB	12.0	14.5	13.5
5	NH1.0-5AWB	4.0	6.5	5.5	14	NH1.0-14AWB	13.0	15.5	14.5
6	NH1.0-6AWB	5.0	7.5	6.5	15	NH1.0-15AWB	14.0	16.5	15.5
7	NH1.0-7AWB	6.0	8.5	7.5	16	NH1.0-16AWB	15.0	17.5	16.5
8	NH1.0-8AWB	7.0	9.5	8.5	17	NH1.0-17AWB	16.0	18.5	17.5
9	NH1.0-9AWB	8.0	10.5	9.5	-	-	-	-	-
10	NH1.0-10AWB	9.0	11.5	10.5	20	NH1.0-20AWB	19.0	21.5	20.5

GENERAL TOLERANCES (UNLESS SPECIFIED)

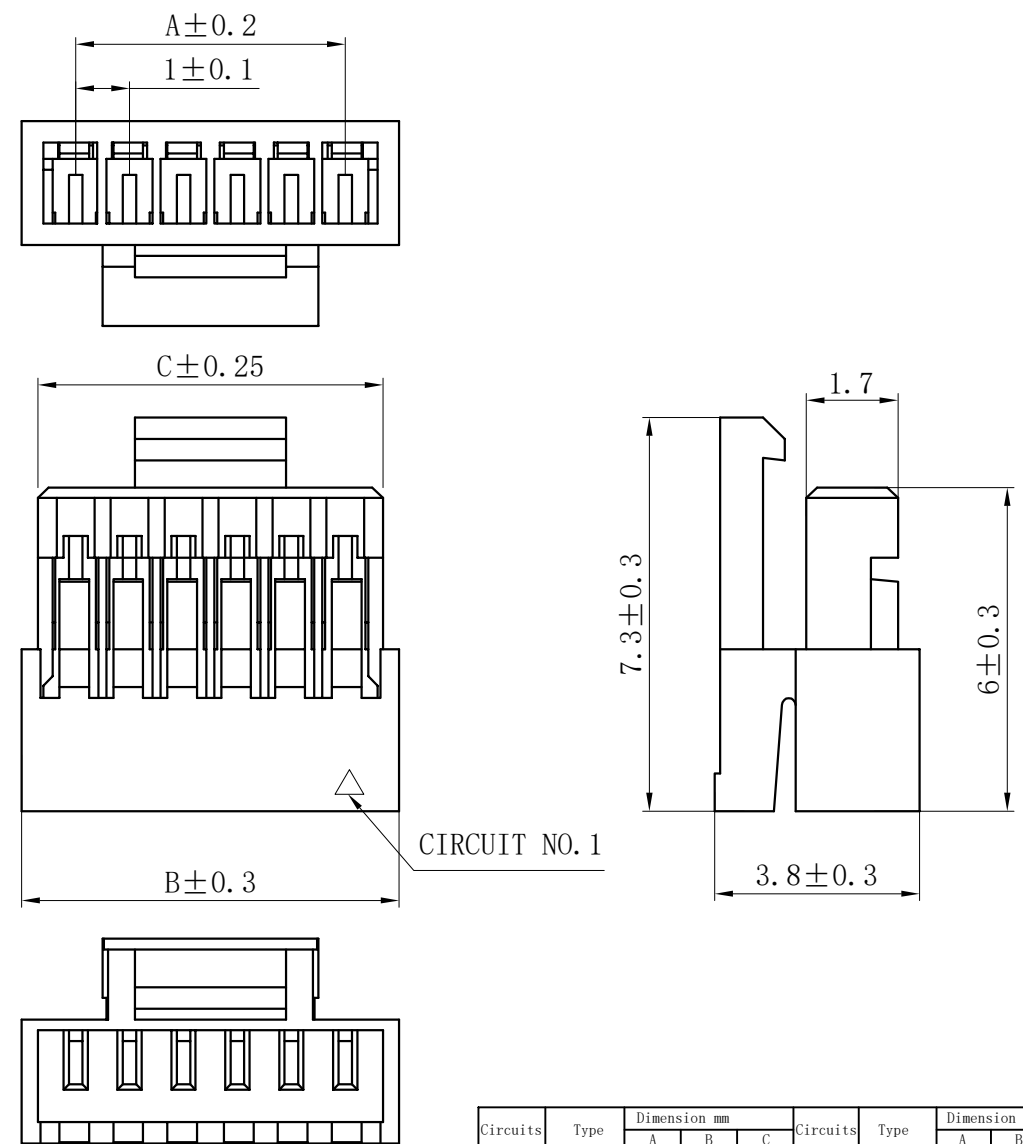
浙江利接插件有限公司
 ZHEJIANG DELI CONNECTORS CO., LTD

.X: ± 0.25	X°: ± 3.0°	PRODUCT NAME: DL10006-AWB(NH1.0-AWB)	TITLE: 1.0mm Pitch Wire To Board SMT Wafer
.XX: ± 0.15	.X°: ± 2.0°	DR:Chen Quan Long	DATE:20.12.31
.XXX: ± 0.01	.XX°: ± 1.0°	DATE:20.12.31	PART NO: DL10006-XXWB-XXX-XX-X-XX
FINISH: 	CHKD: Wu Hui	DATE:20.12.31	SCALE: N/A
DRAWING NO: GC-DL10006-XXWB-XXX-XX-X-XX	APPD:Ren An De	DATE:20.12.31	PAGE: 1/1
			UNITS: mm
			REV.: A

REV.	REVISION DESCRIPTION	DATE	APPD

NOTES

Available in 02 through 20 Circuits.
 Match with DL10006 series housing
 Material : Nylon UL94V-0(2).
 Accepts DL10006-T Crimp Terminal.



ORDERING INFORMATION

DLXXXXX - XX X - X XX - XX
 1 2 3 4 5 6

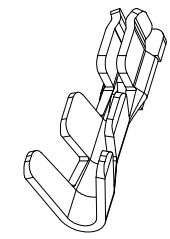
- PART NO.
- . NO. OF CIRCUIT
- CONN. TYPE
- MATERIAL: 0: PA66 V0 1: PA66 V1 2: PA66 V2
 3: PA66 V0 750 °C 4: LCP 5: PBT
 6:PA9T 7:9A6T 8:PA66 GF
- COLOR: NA:NATURE RE:RED BR:BROWN
 GY:GREY BK:BLACK YE:YELLOW
 BL:BLUE GR:GREEN PU:PURPLE PI:PINK
 OR:ORANGE TR:TRANSPARENT OT:OTHER
- SERIAL NUMBER: 00.01.02.....

Circuits	Type	Dimension mm			Circuits	Type	Dimension mm		
		A	B	C			A	B	C
2	NH1.0-2Y	1.0	3.0	2.4	11	NH1.0-11Y	10.0	12.0	11.4
3	NH1.0-3Y	2.0	4.0	3.4	12	NH1.0-12Y	11.0	13.0	12.4
4	NH1.0-4Y	3.0	5.0	4.4	13	NH1.0-13Y	12.0	14.0	13.4
5	NH1.0-5Y	4.0	6.0	5.4	14	NH1.0-14Y	13.0	15.0	14.4
6	NH1.0-6Y	5.0	7.0	6.4	15	NH1.0-15Y	14.0	16.0	15.4
7	NH1.0-7Y	6.0	8.0	7.4	16	NH1.0-16Y	15.0	17.0	16.4
8	NH1.0-8Y	7.0	9.0	8.4	17	NH1.0-17Y	16.0	18.0	17.4
9	NH1.0-9Y	8.0	10.0	9.4	-	-	-	-	-
10	NH1.0-10Y	9.0	11.0	10.4	20	NH1.0-20Y	19.0	21.0	20.4

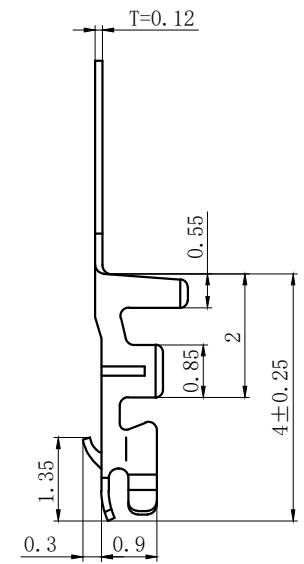
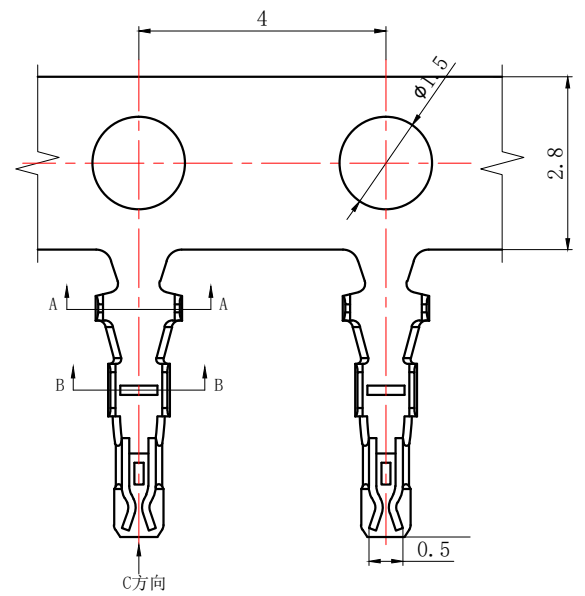
GENERAL TOLERANCES (UNLESS SPECIFIED)		ZHE JIANG DELI CONNECTORS CO., LTD	
.X: ± 0.25	X° : ± 3.0°	PRODUCT NAME: DL10006-Y(NH1.0-Y)	TITLE: 1.0 mm Pitch Housing
.XX: ± 0.15	.X° : ± 2.0°	DR:Chen Quan Long	DATE:20/10/12
.XXX: ± 0.01	.XX° : ± 1.0°	CHKD: Wu Hui	DATE:20/10/12
FINISH:		APPD:Ren An De	DATE:20/10/12
DRAWING NO: GC-DL10006-XXY-XXX-XX			UNITS: mm
			PAGE: 1/1
			REV.: A

REV.	REVISION DESCRIPTION	DATE	APPD

NOTES



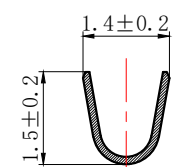
Used in DL10006-Y Series Housing.
 Accepts AWG #32~28 Wire Range.
 0.032~ 0.08 mm².
 Insulation O.D.=0.4~0.8 mm.
 Material : Phosphor Bronze .
 Finish: Tin plated.
 Thickness: 0.12 mm.



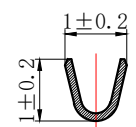
ORDERING INFORMATION

DL10006 - T - X - X - X - XX
 1 2 3 4 5 6

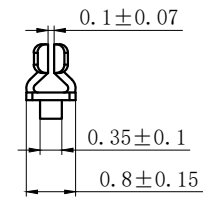
- PART NO.
- TERMINAL CODE
- MATERIAL TYPE: 1: PHOSPHOR BRONZE 2: BRASS 3: IRON
4: STAINLESS STEEL 5: OTHER
- TECHNICS: 0: UNPLATED 1: FIRST PLATING 2: POST PLATING
3: OTHER
- FINISH: 1: TIN-PLATED 2: MATTE PLATED 3: NICKEL PLATED
4: PICKLING 5: SILVER PLATED 6: GOLD PLATED
7: GALVANIZED 8: OTHER
- SERIAL NUMBER: 00.01.02.....



SECTION A-A



SECTION B-B



SECTION C-C

GENERAL TOLERANCES (UNLESS SPECIFIED)		ZHE JIANG DELI CONNECTORS CO., LTD	
.X: ± 0.25	X°: ± 3.0°	PRODUCT NAME:	TITLE: 1.0mm Pitch Crimp Terminal
.XX: ± 0.15	.X°: ± 2.0°	DL10006-T(NH1.0-T)	
.XXX: ± 0.01	.XX°: ± 1.0°	DR: Chen Quan Long	DATE: 20/10/12
FINISH:		CHKD: Wu Hui	DATE: 20/10/12
DRAWING NO: GC-DL10006-T-X-X-X-XX		APPD: Ren An De	DATE: 20/10/12
		PART NO: DL10006-T-X-X-X-XX	SCALE: N/A
			PAGE: 1/1
		UNITS: mm	REV.: A

X-ON Electronics

Largest Supplier of Electrical and Electronic Components

Click to view similar products for [Headers & Wire Housings](#) category:

Click to view products by [DLL](#) manufacturer:

Other Similar products are found below :

[0015917161](#) [0022155065](#) [57102-F02-18ULF](#) [58102-G61-06LF](#) [582553-1](#) [01.001.5753.1](#) [0050291907](#) [02.125.8002.8](#) [609-3404](#) [61062-3](#)
[CSU011177004](#) [622-0430](#) [622-3653LF](#) [63453-116](#) [636-1030](#) [636-1427](#) [636-3427](#) [636-4007](#) [641938-9](#) [65495-038](#) [65692-001LF](#) [65781-018](#)
[65781-047](#) [65817-010LF](#) [65817-015LF](#) [67095-007LF](#) [67601157](#) [68631-112](#) [68645-018](#) [699319-000](#) [70.362.1628.0](#) [70-4210](#) [70-4226B](#) [70-](#)
[4853B](#) [71.350.2428.0](#) [733-134](#) [733-162](#) [760-3052](#) [MHR-64-VUAL](#) [80.063.4001.1](#) [800-90-001-10-001000](#) [801-43-002-10-013000](#)
[801-43-006-10-002000](#) [803-43-024-10-001000](#) [803-93-012-10-001000](#) [8-1437020-4](#) [819-22-004-30-001101](#) [820-22-006-30-001101](#)
[820-22-008-30-001101](#) [821-22-002-10-001101](#)