

技术特性/Specifications:

额定电压 Rated voltage: 100V AC, DC
 额定电流 Rated current: 2A AC, DC
 接触电阻 Contact resistance: 20mΩ max
 绝缘电阻 Insulation resistance: 1000MΩ min
 耐压 Withstand voltage: 800V AC/minute
 环境温度 Ambient temperature: -25°C~+85°C
 适用线规 Wire range: AWG#30~#22

标准/Standard:

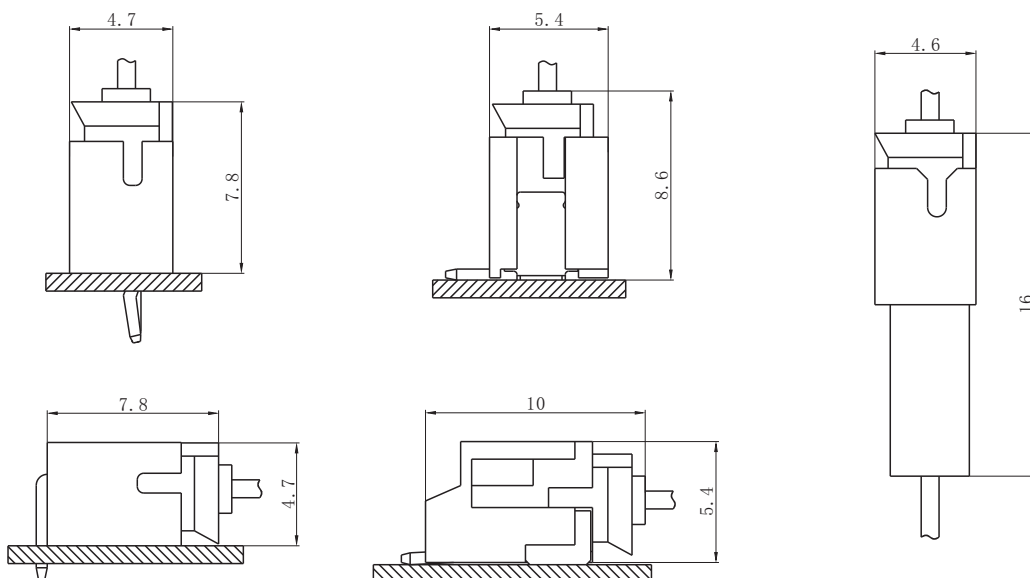


详细参数请咨询:

- E-mail: manager@zjdll.com
- E-mail: technical-support@zjdll.com
- WeChat: 13867778918

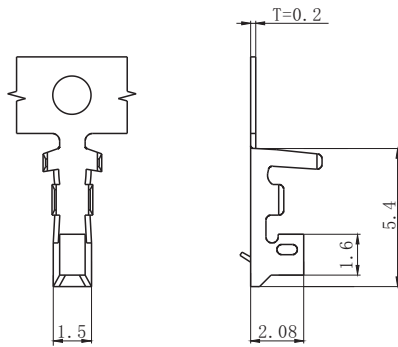
PC电路板布局和组件布局 PC board layout and Assembly layout

▣ Assembly layout (装配布局)

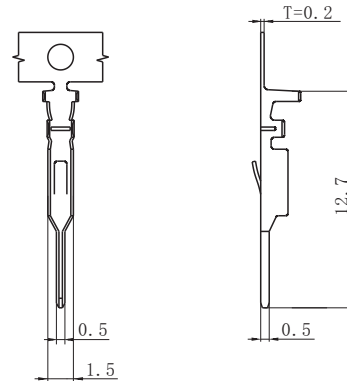


上图为连接器安装侧观察图
 Notes: The above figure is the figure viewed from the connector mounting side.

□ DL20001-T (PH-T)



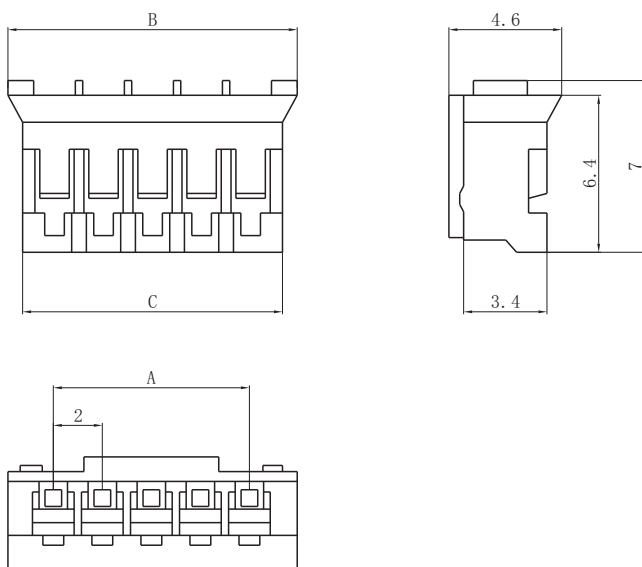
□ DL20001-RT (PH-RT)



Model No. (型号)	Applicable wire (适用线规)			Material (材料)	Plating (电镀)	Qty/reel (数量/盘)
	mm ²	AWG#	Insulation O.D. (绝缘外径mm)			
DL20001-T (PH-T)	0.05~0.20	30~24	φ 0.8~1.2	Phosphor bronze (磷青铜)	Tin Plated (镀锡)	10000
DL20001-T-G (PH-T-G)	0.13~0.33	26~22	φ 1.0~1.5	Phosphor bronze (磷青铜)	Tin Plated (镀锡)	10000
DL20001-RT (PH-RT)	0.05~0.33	28~22	φ 0.9~1.5	Phosphor bronze (磷青铜)	Tin Plated (镀锡)	12000

符合RoHS标准
RoHS compliance
注：镀金产品请联系DLL
Note: Contact DLL for gold-plated products.

□ DL20001-Y (PH-Y)



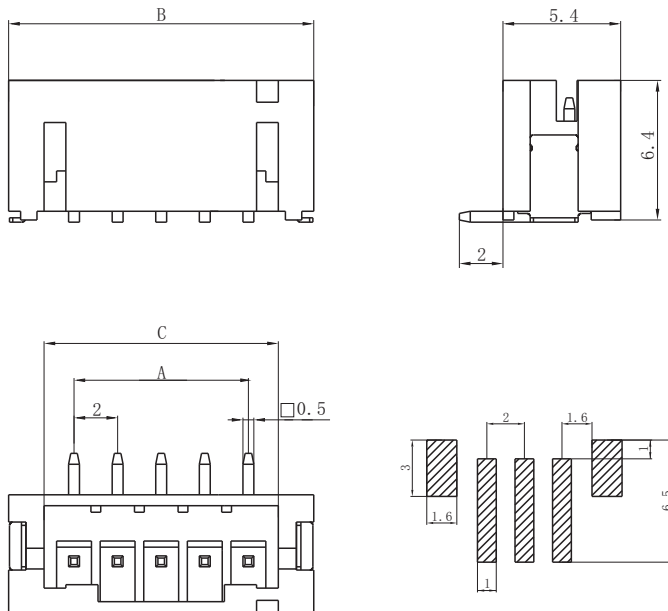
Circuits (电路)	Product name (产品名称)	Dimensions (尺寸mm)		
		A	B	C
2	PH-2Y	2.00	5.80	4.55
3	PH-3Y	4.00	7.80	6.55
4	PH-4Y	6.00	9.80	8.55
5	PH-5Y	8.00	11.80	10.55
6	PH-6Y	10.00	13.80	12.55
7	PH-7Y	12.00	15.80	14.55
8	PH-8Y	14.00	17.80	16.55
9	PH-9Y	16.00	19.80	18.55
10	PH-10Y	18.00	21.80	20.55
11	PH-11Y	20.00	23.80	22.55
12	PH-12Y	22.00	25.80	24.55
13	PH-13Y	24.00	27.80	26.55
14	PH-14Y	26.00	29.80	28.55
15	PH-15Y	28.00	31.80	30.55
16	PH-16Y	30.00	33.80	32.55
17	PH-17Y	32.00	35.80	34.55
18	PH-18Y	34.00	37.80	36.55
19	PH-19Y	36.00	39.80	38.55
20	PH-20Y	38.00	41.80	40.55

Material (材料)

Housing (胶壳): Nylon (尼龙) UL94V-0 (2)

符合RoHS标准
RoHS compliance

□ DL20001-AB (PH-AB)



Circuits (电路)	Product name (产品名称)	Dimensions (尺寸mm)		
		A	B	C
2	PH-2AB	2.00	8.00	4.75
3	PH-3AB	4.00	10.00	6.75
4	PH-4AB	6.00	12.00	8.75
5	PH-5AB	8.00	14.00	10.75
6	PH-6AB	10.00	16.00	12.75
7	PH-7AB	12.00	18.00	14.75
8	PH-8AB	14.00	20.00	16.75
9	PH-9AB	16.00	22.00	18.75
10	PH-10AB	18.00	24.00	20.75
11	PH-11AB	20.00	26.00	22.75
12	PH-12AB	22.00	28.00	24.75
13	PH-13AB	24.00	30.00	26.75
14	PH-14AB	26.00	32.00	28.75
15	PH-15AB	28.00	34.00	30.75
16	PH-16AB	30.00	36.00	32.75
17	PH-17AB	32.00	38.00	34.75
18	PH-18AB	34.00	40.00	36.75
19	PH-19AB	36.00	42.00	38.75
20	PH-20AB	38.00	44.00	40.75

Material (材料)

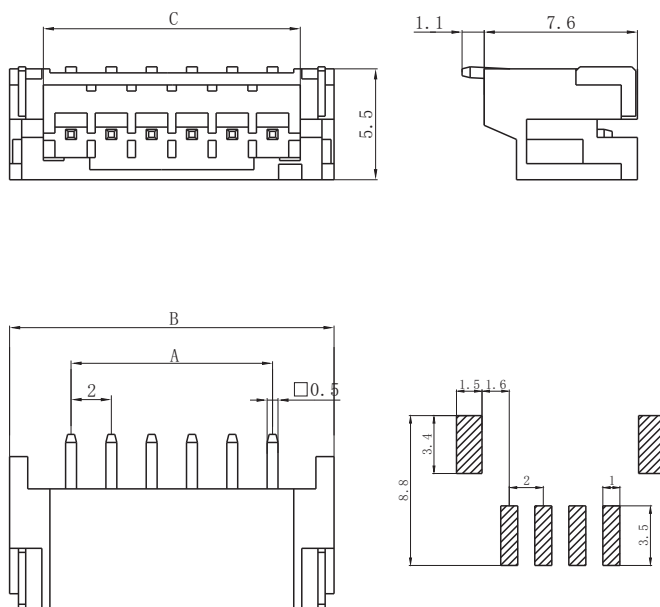
Housing (胶壳): LCP UL94V-0

Wafer (接触件): Brass (黄铜) / Tin plated (镀锡)

Solder tabs (焊片): Brass (黄铜) / Tin plated (镀锡)

符合RoHS标准
RoHS compliance

□ DL20001-AWB (PH-AWB)



Circuits (电路)	Product name (产品名称)	Dimensions (尺寸mm)		
		A	B	C
2	PH-2AWB	2.00	8.00	4.75
3	PH-3AWB	4.00	10.00	6.75
4	PH-4AWB	6.00	12.00	8.75
5	PH-5AWB	8.00	14.00	10.75
6	PH-6AWB	10.00	16.00	12.75
7	PH-7AWB	12.00	18.00	14.75
8	PH-8AWB	14.00	20.00	16.75
9	PH-9AWB	16.00	22.00	18.75
10	PH-10AWB	18.00	24.00	20.75
11	PH-11AWB	20.00	26.00	22.75
12	PH-12AWB	22.00	28.00	24.75
13	PH-13AWB	24.00	30.00	26.75
14	PH-14AWB	26.00	32.00	28.75
15	PH-15AWB	28.00	34.00	30.75
16	PH-16AWB	30.00	36.00	32.75
17	PH-17AWB	32.00	38.00	34.75
18	PH-18AWB	34.00	40.00	36.75
19	PH-19AWB	36.00	42.00	38.75
20	PH-20AWB	38.00	44.00	40.75

Material (材料)

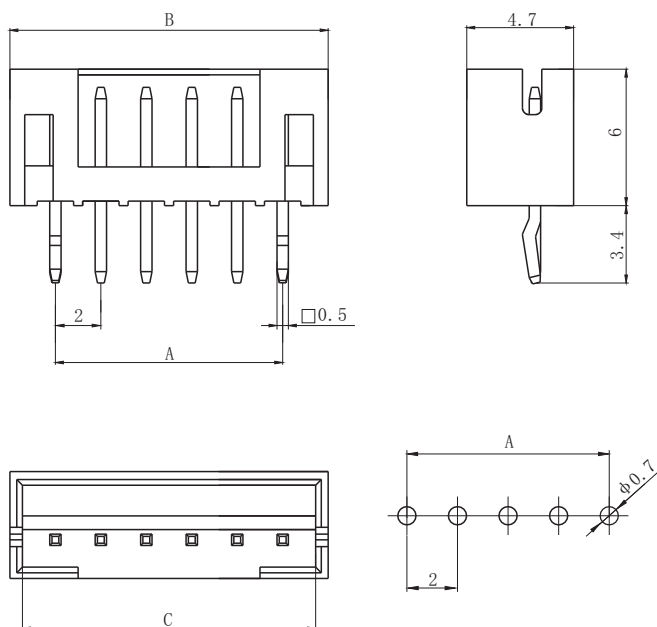
Housing (胶壳): LCP UL94V-0

Wafer (接触件): Brass (黄铜) / Tin plated (镀锡)

Solder tabs (焊片): Brass (黄铜) / Tin plated (镀锡)

符合RoHS标准
RoHS compliance

□ DL20001-A (PH-A)



Circuits (电路)	Product name (产品名称)	Dimensions (尺寸mm)		
		A	B	C
2	PH-2A	2.00	6.00	4.90
3	PH-3A	4.00	8.00	6.90
4	PH-4A	6.00	10.00	8.90
5	PH-5A	8.00	12.00	10.90
6	PH-6A	10.00	14.00	12.90
7	PH-7A	12.00	16.00	14.90
8	PH-8A	14.00	18.00	16.90
9	PH-9A	16.00	20.00	18.90
10	PH-10A	18.00	22.00	20.90
11	PH-11A	20.00	24.00	22.90
12	PH-12A	22.00	26.00	24.90
13	PH-13A	24.00	28.00	26.90
14	PH-14A	26.00	30.00	28.90
15	PH-15A	28.00	32.00	30.90
16	PH-16A	30.00	34.00	32.90
17	PH-17A	32.00	36.00	34.90
18	PH-18A	34.00	38.00	36.90
19	PH-19A	36.00	40.00	38.90
20	PH-20A	38.00	42.00	40.90

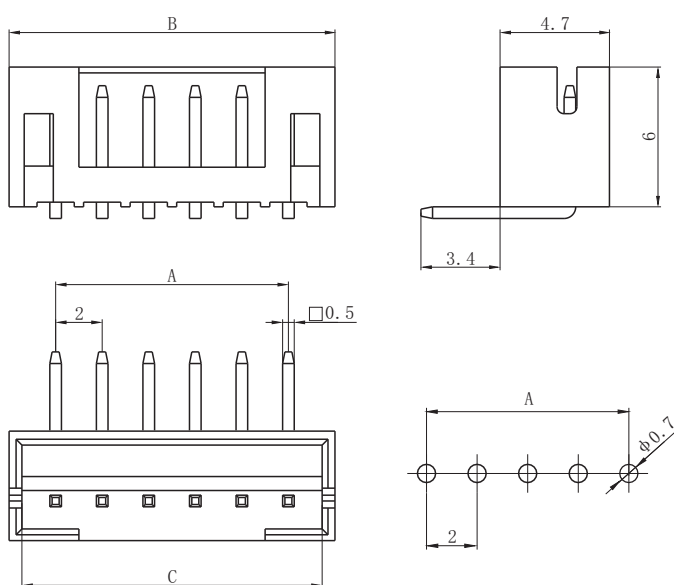
Material (材料)

Housing (胶壳): Nylon (尼龙) UL94V-0 (2)

Wafer (接触件): Brass (黄铜) / Tin plated (镀锡)

符合RoHS标准
RoHS compliance

□ DL20001-AW (PH-AW)



Circuits (电路)	Product name (产品名称)	Dimensions (尺寸mm)		
		A	B	C
2	PH-2AW	2.00	6.00	4.90
3	PH-3AW	4.00	8.00	6.90
4	PH-4AW	6.00	10.00	8.90
5	PH-5AW	8.00	12.00	10.90
6	PH-6AW	10.00	14.00	12.90
7	PH-7AW	12.00	16.00	14.90
8	PH-8AW	14.00	18.00	16.90
9	PH-9AW	16.00	20.00	18.90
10	PH-10AW	18.00	22.00	20.90
11	PH-11AW	20.00	24.00	22.90
12	PH-12AW	22.00	26.00	24.90
13	PH-13AW	24.00	28.00	26.90
14	PH-14AW	26.00	30.00	28.90
15	PH-15AW	28.00	32.00	30.90
16	PH-16AW	30.00	34.00	32.90
17	PH-17AW	32.00	36.00	34.90
18	PH-18AW	34.00	38.00	36.90
19	PH-19AW	36.00	40.00	38.90
20	PH-20AW	38.00	42.00	40.90

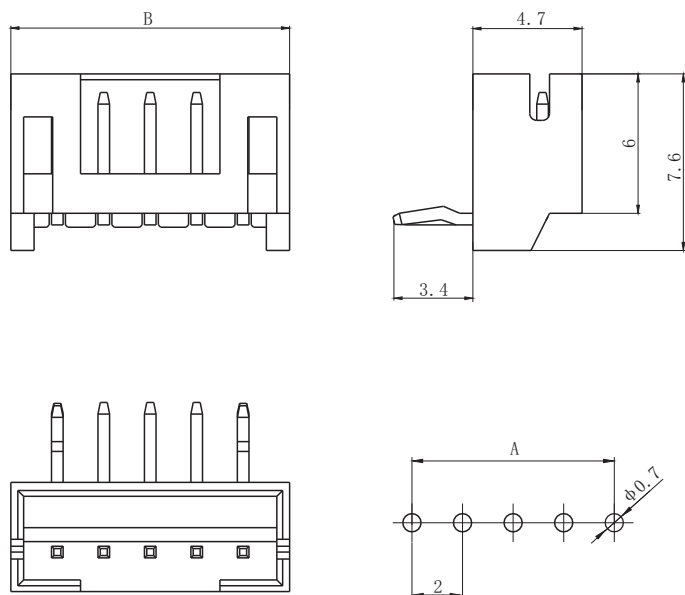
Material (材料)

Housing (胶壳): Nylon (尼龙) UL94V-0 (2)

Wafer (接触件): Brass (黄铜) / Tin plated (镀锡)

符合RoHS标准
RoHS compliance

□ DL20001-AWD (PH-AWD)



Circuits (电路)	Product name (产品名称)	Dimensions (尺寸mm)		
		A	B	C
2	PH-2AWD	2.00	6.00	4.90
3	PH-3AWD	4.00	8.00	6.90
4	PH-4AWD	6.00	10.00	8.90
5	PH-5AWD	8.00	12.00	10.90
6	PH-6AWD	10.00	14.00	12.90
7	PH-7AWD	12.00	16.00	14.90
8	PH-8AWD	14.00	18.00	16.90
9	PH-9AWD	16.00	20.00	18.90
10	PH-10AWD	18.00	22.00	20.90
11	PH-11AWD	20.00	24.00	22.90
12	PH-12AWD	22.00	26.00	24.90
13	PH-13AWD	24.00	28.00	26.90
14	PH-14AWD	26.00	30.00	28.90
15	PH-15AWD	28.00	32.00	30.90
16	PH-16AWD	30.00	34.00	32.90
17	PH-17AWD	32.00	36.00	34.90
18	PH-18AWD	34.00	38.00	36.90
19	PH-19AWD	36.00	40.00	38.90
20	PH-20AWD	38.00	42.00	40.90

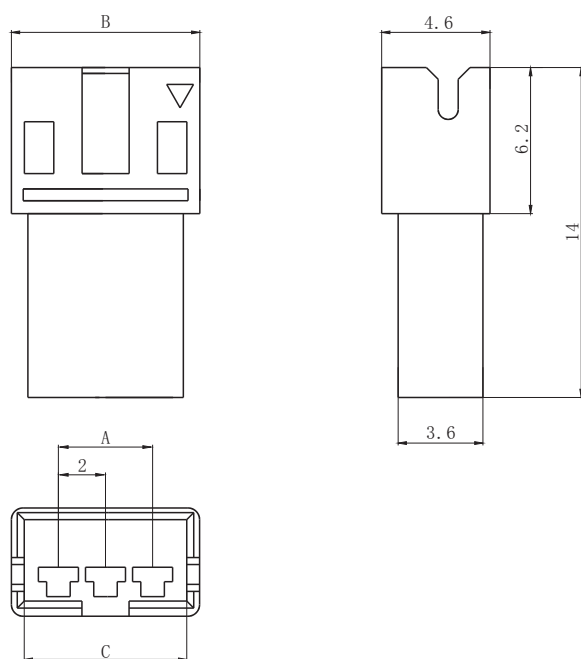
Material (材料)

Housing (胶壳): Nylon (尼龙) UL94V-0 (2)

Wafer (接触件): Brass (黄铜) / Tin plated (镀锡)

符合RoHS标准
RoHS compliance

□ DL20001-R (PH-R)



Circuits (电路)	Product name (产品名称)	Dimensions (尺寸mm)		
		A	B	C
2	PH-2R	2.00	6.00	4.90
3	PH-3R	4.00	8.00	6.90
4	PH-4R	6.00	10.00	8.90
5	PH-5R	8.00	12.00	10.90
6	PH-6R	10.00	14.00	12.90
7	PH-7R	12.00	16.00	14.90
8	PH-8R	14.00	18.00	16.90
9	PH-9R	16.00	20.00	18.90
10	PH-10R	18.00	22.00	20.90
11	PH-11R	20.00	24.00	22.90
12	PH-12R	22.00	26.00	24.90
13	PH-13R	24.00	28.00	26.90
14	PH-14R	26.00	30.00	28.90
15	PH-15R	28.00	32.00	30.90
16	PH-16R	30.00	34.00	32.90
17	PH-17R	32.00	36.00	34.90
18	PH-18R	34.00	38.00	36.90
19	PH-19R	36.00	40.00	38.90
20	PH-20R	38.00	42.00	40.90

Material (材料)

Housing (胶壳): Nylon (尼龙) UL94V-0 (2)

符合RoHS标准
RoHS compliance

X-ON Electronics

Largest Supplier of Electrical and Electronic Components

Click to view similar products for [Headers & Wire Housings](#) category:

Click to view products by [DLL](#) manufacturer:

Other Similar products are found below :

[0015917161](#) [0022155065](#) [57102-F02-18ULF](#) [58102-G61-06LF](#) [582553-1](#) [01.001.5753.1](#) [0050291907](#) [02.125.8002.8](#) [609-3404](#) [61062-3](#)
[CSU011177004](#) [622-0430](#) [622-3653LF](#) [63453-116](#) [636-1030](#) [636-1427](#) [636-3427](#) [636-4007](#) [641938-9](#) [65495-038](#) [65692-001LF](#) [65781-018](#)
[65781-047](#) [65817-010LF](#) [65817-015LF](#) [67095-007LF](#) [67601157](#) [68631-112](#) [68645-018](#) [699319-000](#) [70.362.1628.0](#) [70-4210](#) [70-4226B](#) [70-](#)
[4853B](#) [71.350.2428.0](#) [733-134](#) [733-162](#) [760-3052](#) [MHR-64-VUAL](#) [80.063.4001.1](#) [800-90-001-10-001000](#) [801-43-002-10-013000](#)
[801-43-006-10-002000](#) [803-43-024-10-001000](#) [803-93-012-10-001000](#) [8-1437020-4](#) [819-22-004-30-001101](#) [820-22-006-30-001101](#)
[820-22-008-30-001101](#) [821-22-002-10-001101](#)