

技术特性/Specifications:

额定电压 Rated voltage: 100V AC, DC
 额定电流 Rated current: 2A AC, DC
 接触电阻 Contact resistance: 20mΩ max
 绝缘电阻 Insulation resistance: 1000MΩ min
 耐压 Withstand voltage: 800V AC/minute
 环境温度 Ambient temperature: -25°C~+85°C
 适用线规 Wire range: AWG#30~#22

标准/Standard:

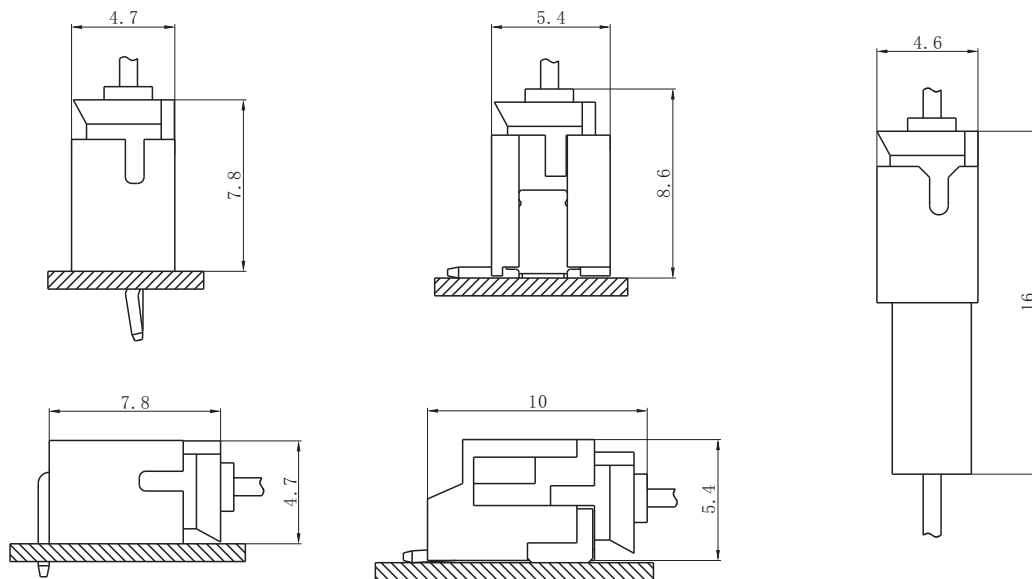


详细参数请咨询:

- E-mail: manager@zjdll.com
- E-mail: technical-support@zjdll.com
- WeChat: 13867778918

PC电路板布局和组件布局 PC board layout and Assembly layout

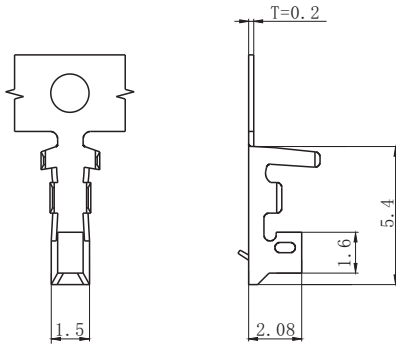
□ Assembly layout (装配布局)



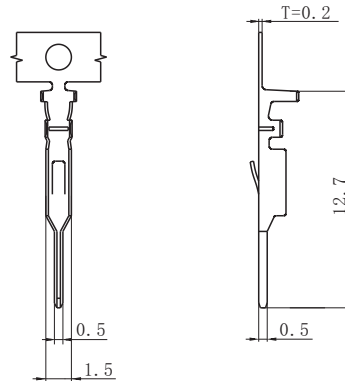
上图为连接器安装侧观察图

Notes: The above figure is the figure viewed from the connector mounting side.

□ DL20001-T (PH-T)



□ DL20001-RT (PH-RT)



| Model No. (型号) | Applicable wire (适用线规) | | | Material (材料) | Plating (电镀) | Qty/reel (数量/盘) |
|----------------------|------------------------|-------|--------------------------|-----------------------|-----------------|-----------------|
| | mm ² | AWG# | Insulation O.D. (绝缘外径mm) | | | |
| DL20001-T (PH-T) | 0.05~0.20 | 30~24 | φ 0.8~1.2 | Phosphor bronze (磷青铜) | Tin Plated (镀锡) | 10000 |
| DL20001-T-G (PH-T-G) | 0.13~0.33 | 26~22 | φ 1.0~1.5 | Phosphor bronze (磷青铜) | Tin Plated (镀锡) | 10000 |
| DL20001-RT (PH-RT) | 0.05~0.33 | 28~22 | φ 0.9~1.5 | Phosphor bronze (磷青铜) | Tin Plated (镀锡) | 12000 |

符合RoHS标准
RoHS compliance
注：镀金产品请联系DLL
Note: Contact DLL for gold-plated products.

□ DL20001-Y (PH-Y)



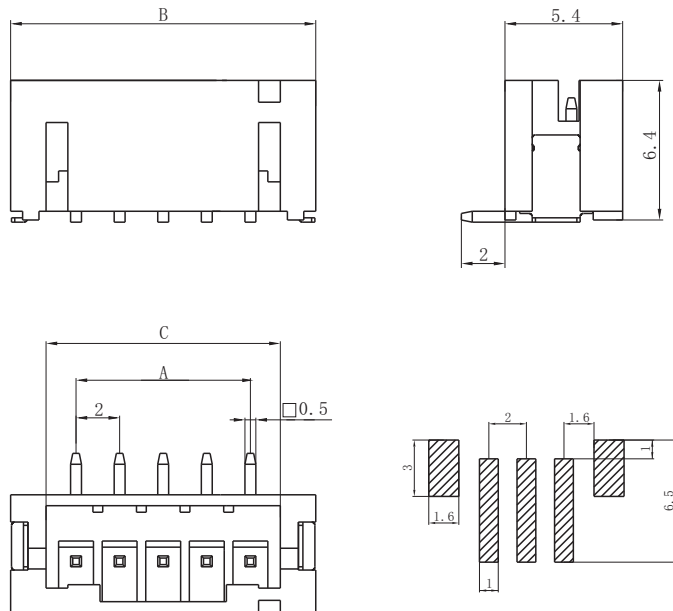
| Circuits (电路) | Product name (产品名称) | Dimensions (尺寸mm) | | |
|---------------|---------------------|-------------------|-------|-------|
| | | A | B | C |
| 2 | PH-2Y | 2.00 | 5.80 | 4.55 |
| 3 | PH-3Y | 4.00 | 7.80 | 6.55 |
| 4 | PH-4Y | 6.00 | 9.80 | 8.55 |
| 5 | PH-5Y | 8.00 | 11.80 | 10.55 |
| 6 | PH-6Y | 10.00 | 13.80 | 12.55 |
| 7 | PH-7Y | 12.00 | 15.80 | 14.55 |
| 8 | PH-8Y | 14.00 | 17.80 | 16.55 |
| 9 | PH-9Y | 16.00 | 19.80 | 18.55 |
| 10 | PH-10Y | 18.00 | 21.80 | 20.55 |
| 11 | PH-11Y | 20.00 | 23.80 | 22.55 |
| 12 | PH-12Y | 22.00 | 25.80 | 24.55 |
| 13 | PH-13Y | 24.00 | 27.80 | 26.55 |
| 14 | PH-14Y | 26.00 | 29.80 | 28.55 |
| 15 | PH-15Y | 28.00 | 31.80 | 30.55 |
| 16 | PH-16Y | 30.00 | 33.80 | 32.55 |
| 17 | PH-17Y | 32.00 | 35.80 | 34.55 |
| 18 | PH-18Y | 34.00 | 37.80 | 36.55 |
| 19 | PH-19Y | 36.00 | 39.80 | 38.55 |
| 20 | PH-20Y | 38.00 | 41.80 | 40.55 |

Material (材料)

Housing (胶壳): Nylon (尼龙) UL94V-0 (2)

符合RoHS标准
RoHS compliance

□ DL20001-AB (PH-AB)



| Circuits (电路) | Product name (产品名称) | Dimensions (尺寸mm) | | |
|------------------|------------------------|-------------------|-------|-------|
| | | A | B | C |
| 2 | PH-2AB | 2.00 | 8.00 | 4.75 |
| 3 | PH-3AB | 4.00 | 10.00 | 6.75 |
| 4 | PH-4AB | 6.00 | 12.00 | 8.75 |
| 5 | PH-5AB | 8.00 | 14.00 | 10.75 |
| 6 | PH-6AB | 10.00 | 16.00 | 12.75 |
| 7 | PH-7AB | 12.00 | 18.00 | 14.75 |
| 8 | PH-8AB | 14.00 | 20.00 | 16.75 |
| 9 | PH-9AB | 16.00 | 22.00 | 18.75 |
| 10 | PH-10AB | 18.00 | 24.00 | 20.75 |
| 11 | PH-11AB | 20.00 | 26.00 | 22.75 |
| 12 | PH-12AB | 22.00 | 28.00 | 24.75 |
| 13 | PH-13AB | 24.00 | 30.00 | 26.75 |
| 14 | PH-14AB | 26.00 | 32.00 | 28.75 |
| 15 | PH-15AB | 28.00 | 34.00 | 30.75 |
| 16 | PH-16AB | 30.00 | 36.00 | 32.75 |
| 17 | PH-17AB | 32.00 | 38.00 | 34.75 |
| 18 | PH-18AB | 34.00 | 40.00 | 36.75 |
| 19 | PH-19AB | 36.00 | 42.00 | 38.75 |
| 20 | PH-20AB | 38.00 | 44.00 | 40.75 |

Material (材料)

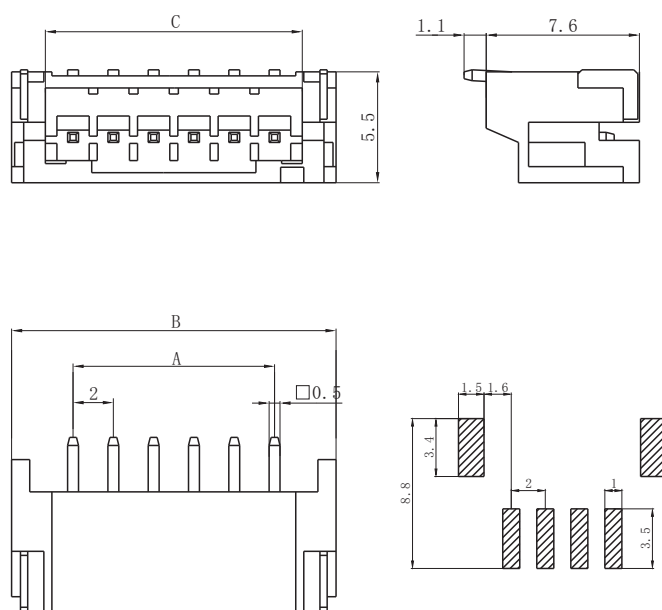
Housing (胶壳): LCP UL94V-0

Wafer (接触件): Brass (黄铜) / Tin plated (镀锡)

Solder tabs (焊片): Brass (黄铜) / Tin plated (镀锡)

符合RoHS标准
RoHS compliance

□ DL20001-AWB (PH-AWB)



| Circuits (电路) | Product name (产品名称) | Dimensions (尺寸mm) | | |
|------------------|------------------------|-------------------|-------|-------|
| | | A | B | C |
| 2 | PH-2AWB | 2.00 | 8.00 | 4.75 |
| 3 | PH-3AWB | 4.00 | 10.00 | 6.75 |
| 4 | PH-4AWB | 6.00 | 12.00 | 8.75 |
| 5 | PH-5AWB | 8.00 | 14.00 | 10.75 |
| 6 | PH-6AWB | 10.00 | 16.00 | 12.75 |
| 7 | PH-7AWB | 12.00 | 18.00 | 14.75 |
| 8 | PH-8AWB | 14.00 | 20.00 | 16.75 |
| 9 | PH-9AWB | 16.00 | 22.00 | 18.75 |
| 10 | PH-10AWB | 18.00 | 24.00 | 20.75 |
| 11 | PH-11AWB | 20.00 | 26.00 | 22.75 |
| 12 | PH-12AWB | 22.00 | 28.00 | 24.75 |
| 13 | PH-13AWB | 24.00 | 30.00 | 26.75 |
| 14 | PH-14AWB | 26.00 | 32.00 | 28.75 |
| 15 | PH-15AWB | 28.00 | 34.00 | 30.75 |
| 16 | PH-16AWB | 30.00 | 36.00 | 32.75 |
| 17 | PH-17AWB | 32.00 | 38.00 | 34.75 |
| 18 | PH-18AWB | 34.00 | 40.00 | 36.75 |
| 19 | PH-19AWB | 36.00 | 42.00 | 38.75 |
| 20 | PH-20AWB | 38.00 | 44.00 | 40.75 |

Material (材料)

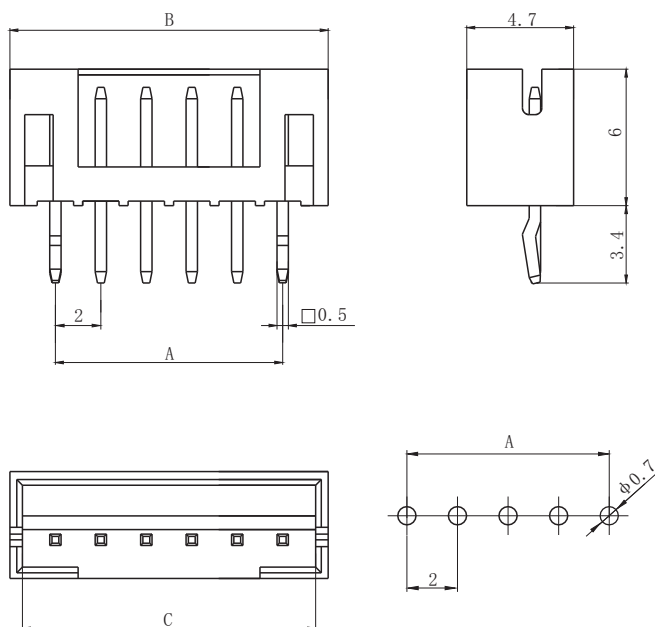
Housing (胶壳): LCP UL94V-0

Wafer (接触件): Brass (黄铜) / Tin plated (镀锡)

Solder tabs (焊片): Brass (黄铜) / Tin plated (镀锡)

符合RoHS标准
RoHS compliance

□ DL20001-A (PH-A)



| Circuits (电路) | Product name (产品名称) | Dimensions (尺寸mm) | | |
|------------------|------------------------|-------------------|-------|-------|
| | | A | B | C |
| 2 | PH-2A | 2.00 | 6.00 | 4.90 |
| 3 | PH-3A | 4.00 | 8.00 | 6.90 |
| 4 | PH-4A | 6.00 | 10.00 | 8.90 |
| 5 | PH-5A | 8.00 | 12.00 | 10.90 |
| 6 | PH-6A | 10.00 | 14.00 | 12.90 |
| 7 | PH-7A | 12.00 | 16.00 | 14.90 |
| 8 | PH-8A | 14.00 | 18.00 | 16.90 |
| 9 | PH-9A | 16.00 | 20.00 | 18.90 |
| 10 | PH-10A | 18.00 | 22.00 | 20.90 |
| 11 | PH-11A | 20.00 | 24.00 | 22.90 |
| 12 | PH-12A | 22.00 | 26.00 | 24.90 |
| 13 | PH-13A | 24.00 | 28.00 | 26.90 |
| 14 | PH-14A | 26.00 | 30.00 | 28.90 |
| 15 | PH-15A | 28.00 | 32.00 | 30.90 |
| 16 | PH-16A | 30.00 | 34.00 | 32.90 |
| 17 | PH-17A | 32.00 | 36.00 | 34.90 |
| 18 | PH-18A | 34.00 | 38.00 | 36.90 |
| 19 | PH-19A | 36.00 | 40.00 | 38.90 |
| 20 | PH-20A | 38.00 | 42.00 | 40.90 |

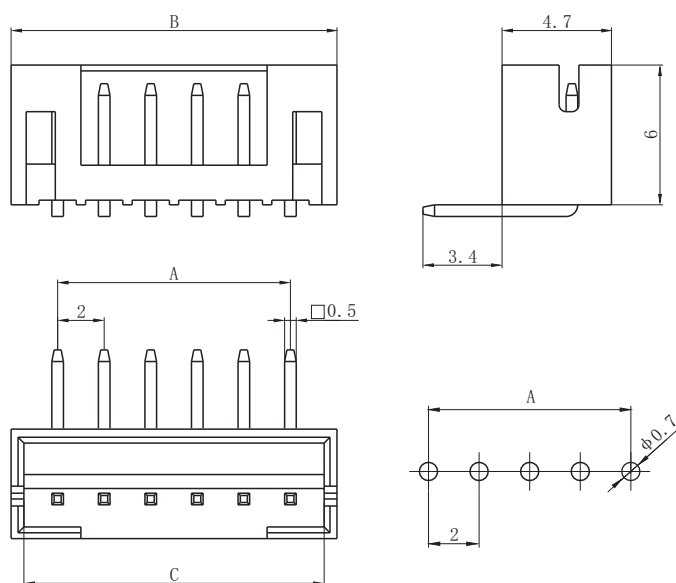
Material (材料)

Housing (胶壳): Nylon (尼龙) UL94V-0 (2)

Wafer (接触件): Brass (黄铜) / Tin plated (镀锡)

符合RoHS标准
RoHS compliance

□ DL20001-AW (PH-AW)



| Circuits (电路) | Product name (产品名称) | Dimensions (尺寸mm) | | |
|------------------|------------------------|-------------------|-------|-------|
| | | A | B | C |
| 2 | PH-2AW | 2.00 | 6.00 | 4.90 |
| 3 | PH-3AW | 4.00 | 8.00 | 6.90 |
| 4 | PH-4AW | 6.00 | 10.00 | 8.90 |
| 5 | PH-5AW | 8.00 | 12.00 | 10.90 |
| 6 | PH-6AW | 10.00 | 14.00 | 12.90 |
| 7 | PH-7AW | 12.00 | 16.00 | 14.90 |
| 8 | PH-8AW | 14.00 | 18.00 | 16.90 |
| 9 | PH-9AW | 16.00 | 20.00 | 18.90 |
| 10 | PH-10AW | 18.00 | 22.00 | 20.90 |
| 11 | PH-11AW | 20.00 | 24.00 | 22.90 |
| 12 | PH-12AW | 22.00 | 26.00 | 24.90 |
| 13 | PH-13AW | 24.00 | 28.00 | 26.90 |
| 14 | PH-14AW | 26.00 | 30.00 | 28.90 |
| 15 | PH-15AW | 28.00 | 32.00 | 30.90 |
| 16 | PH-16AW | 30.00 | 34.00 | 32.90 |
| 17 | PH-17AW | 32.00 | 36.00 | 34.90 |
| 18 | PH-18AW | 34.00 | 38.00 | 36.90 |
| 19 | PH-19AW | 36.00 | 40.00 | 38.90 |
| 20 | PH-20AW | 38.00 | 42.00 | 40.90 |

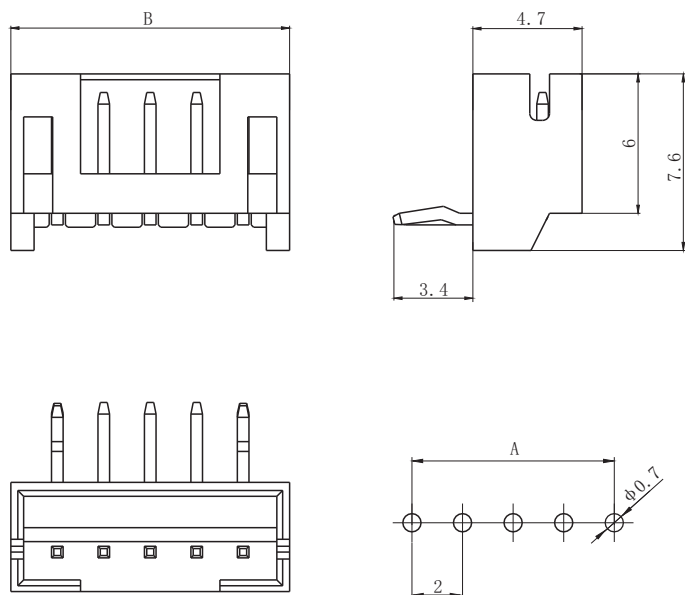
Material (材料)

Housing (胶壳): Nylon (尼龙) UL94V-0 (2)

Wafer (接触件): Brass (黄铜) / Tin plated (镀锡)

符合RoHS标准
RoHS compliance

□ DL20001-AWD (PH-AWD)



| Circuits (电路) | Product name (产品名称) | Dimensions (尺寸mm) | | |
|------------------|------------------------|-------------------|-------|-------|
| | | A | B | C |
| 2 | PH-2AWD | 2.00 | 6.00 | 4.90 |
| 3 | PH-3AWD | 4.00 | 8.00 | 6.90 |
| 4 | PH-4AWD | 6.00 | 10.00 | 8.90 |
| 5 | PH-5AWD | 8.00 | 12.00 | 10.90 |
| 6 | PH-6AWD | 10.00 | 14.00 | 12.90 |
| 7 | PH-7AWD | 12.00 | 16.00 | 14.90 |
| 8 | PH-8AWD | 14.00 | 18.00 | 16.90 |
| 9 | PH-9AWD | 16.00 | 20.00 | 18.90 |
| 10 | PH-10AWD | 18.00 | 22.00 | 20.90 |
| 11 | PH-11AWD | 20.00 | 24.00 | 22.90 |
| 12 | PH-12AWD | 22.00 | 26.00 | 24.90 |
| 13 | PH-13AWD | 24.00 | 28.00 | 26.90 |
| 14 | PH-14AWD | 26.00 | 30.00 | 28.90 |
| 15 | PH-15AWD | 28.00 | 32.00 | 30.90 |
| 16 | PH-16AWD | 30.00 | 34.00 | 32.90 |
| 17 | PH-17AWD | 32.00 | 36.00 | 34.90 |
| 18 | PH-18AWD | 34.00 | 38.00 | 36.90 |
| 19 | PH-19AWD | 36.00 | 40.00 | 38.90 |
| 20 | PH-20AWD | 38.00 | 42.00 | 40.90 |

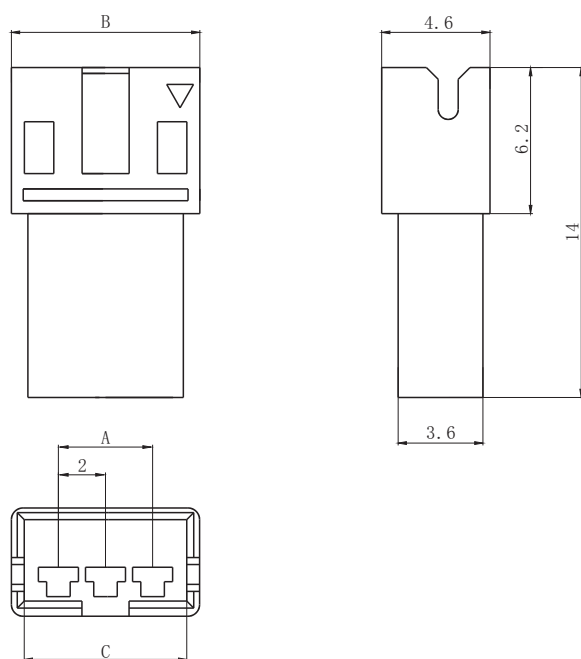
Material (材料)

Housing (胶壳): Nylon (尼龙) UL94V-0 (2)

Wafer (接触件): Brass (黄铜) / Tin plated (镀锡)

符合RoHS标准
RoHS compliance

□ DL20001-R (PH-R)



| Circuits (电路) | Product name (产品名称) | Dimensions (尺寸mm) | | |
|------------------|------------------------|-------------------|-------|-------|
| | | A | B | C |
| 2 | PH-2R | 2.00 | 6.00 | 4.90 |
| 3 | PH-3R | 4.00 | 8.00 | 6.90 |
| 4 | PH-4R | 6.00 | 10.00 | 8.90 |
| 5 | PH-5R | 8.00 | 12.00 | 10.90 |
| 6 | PH-6R | 10.00 | 14.00 | 12.90 |
| 7 | PH-7R | 12.00 | 16.00 | 14.90 |
| 8 | PH-8R | 14.00 | 18.00 | 16.90 |
| 9 | PH-9R | 16.00 | 20.00 | 18.90 |
| 10 | PH-10R | 18.00 | 22.00 | 20.90 |
| 11 | PH-11R | 20.00 | 24.00 | 22.90 |
| 12 | PH-12R | 22.00 | 26.00 | 24.90 |
| 13 | PH-13R | 24.00 | 28.00 | 26.90 |
| 14 | PH-14R | 26.00 | 30.00 | 28.90 |
| 15 | PH-15R | 28.00 | 32.00 | 30.90 |
| 16 | PH-16R | 30.00 | 34.00 | 32.90 |
| 17 | PH-17R | 32.00 | 36.00 | 34.90 |
| 18 | PH-18R | 34.00 | 38.00 | 36.90 |
| 19 | PH-19R | 36.00 | 40.00 | 38.90 |
| 20 | PH-20R | 38.00 | 42.00 | 40.90 |

Material (材料)

Housing (胶壳): Nylon (尼龙) UL94V-0 (2)

符合RoHS标准
RoHS compliance

X-ON Electronics

Largest Supplier of Electrical and Electronic Components

Click to view similar products for [Headers & Wire Housings](#) category:

Click to view products by [DLL](#) manufacturer:

Other Similar products are found below :

[0015917161](#) [0022155065](#) [57102-F02-18ULF](#) [58102-G61-06LF](#) [582553-1](#) [01.001.5753.1](#) [0050291907](#) [02.125.8002.8](#) [609-3404](#) [61062-3](#)
[CSU011177004](#) [622-0430](#) [622-3653LF](#) [63453-116](#) [636-1030](#) [636-1427](#) [636-3427](#) [636-4007](#) [641938-9](#) [65495-038](#) [65692-001LF](#) [65781-018](#)
[65781-047](#) [65817-010LF](#) [65817-015LF](#) [67095-007LF](#) [67601157](#) [68631-112](#) [68645-018](#) [699319-000](#) [70.362.1628.0](#) [70-4210](#) [70-4226B](#) [70-](#)
[4853B](#) [71.350.2428.0](#) [733-134](#) [733-162](#) [760-3052](#) [MHR-64-VUAL](#) [80.063.4001.1](#) [800-90-001-10-001000](#) [801-43-002-10-013000](#)
[801-43-006-10-002000](#) [803-43-024-10-001000](#) [803-93-012-10-001000](#) [8-1437020-4](#) [819-22-004-30-001101](#) [820-22-006-30-001101](#)
[820-22-008-30-001101](#) [821-22-002-10-001101](#)