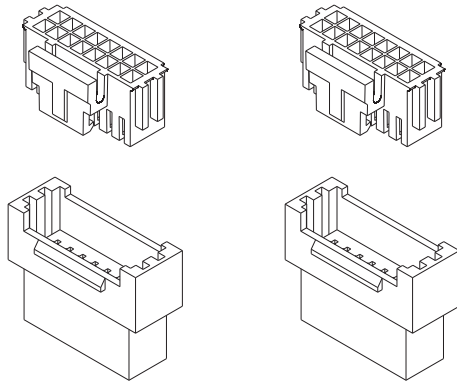
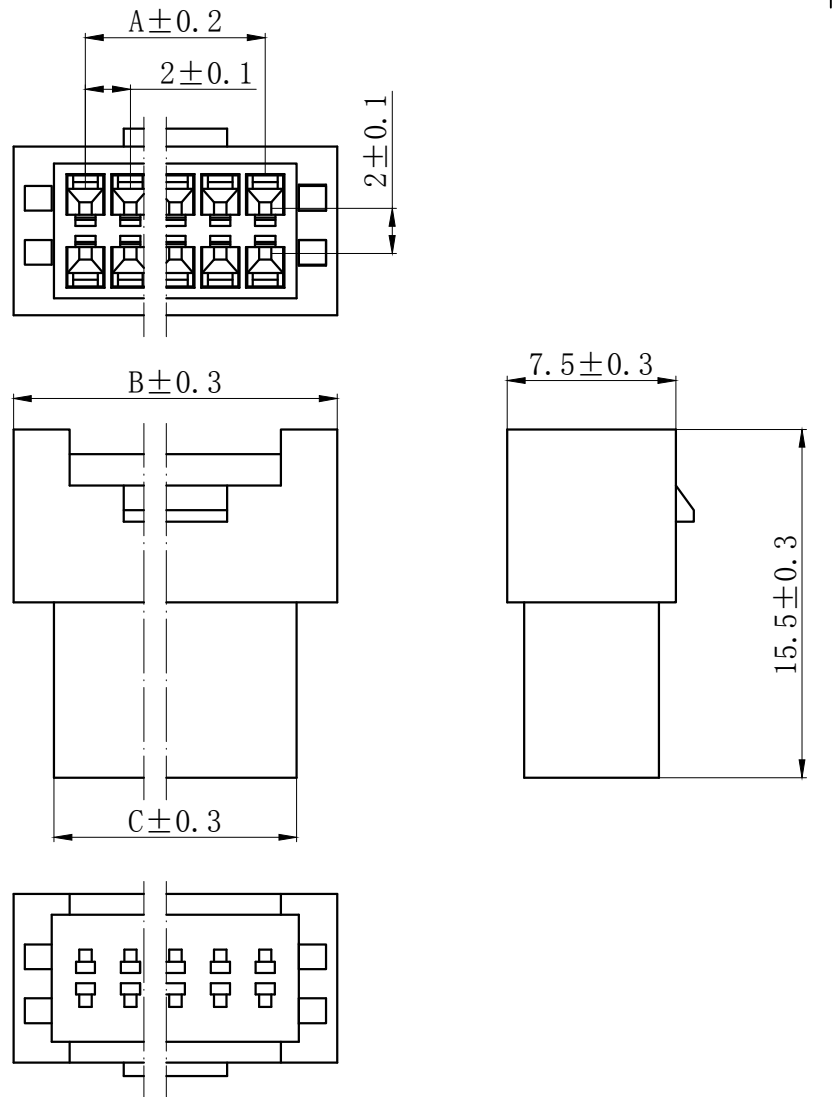


技术特性/Specifications:

额定电压 Rated voltage: 250V AC, DC
额定电流 Rated current: 2A AC, DC
接触电阻 Contact resistance: 10mΩ max
绝缘电阻 Insulation resistance: 1000MΩ min
耐压 Withstand voltage: 800V AC/minute
环境温度 Ambient temperature: -40°C~+105°C
适用线规 Wire range: AWG#28~#22



| | | | |
|------|----------------------|------|------|
| REV. | REVISION DESCRIPTION | DATE | APPD |
| | | | |



NOTES

Available in 04 through 60 Circuits.
Mates with DL20026-Y Series Housing.
Material : Nylon UL94V-0(2).
Accepts DL20006-RT Crimp Terminal.

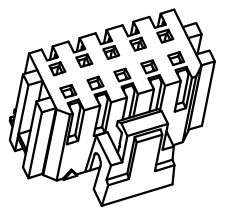
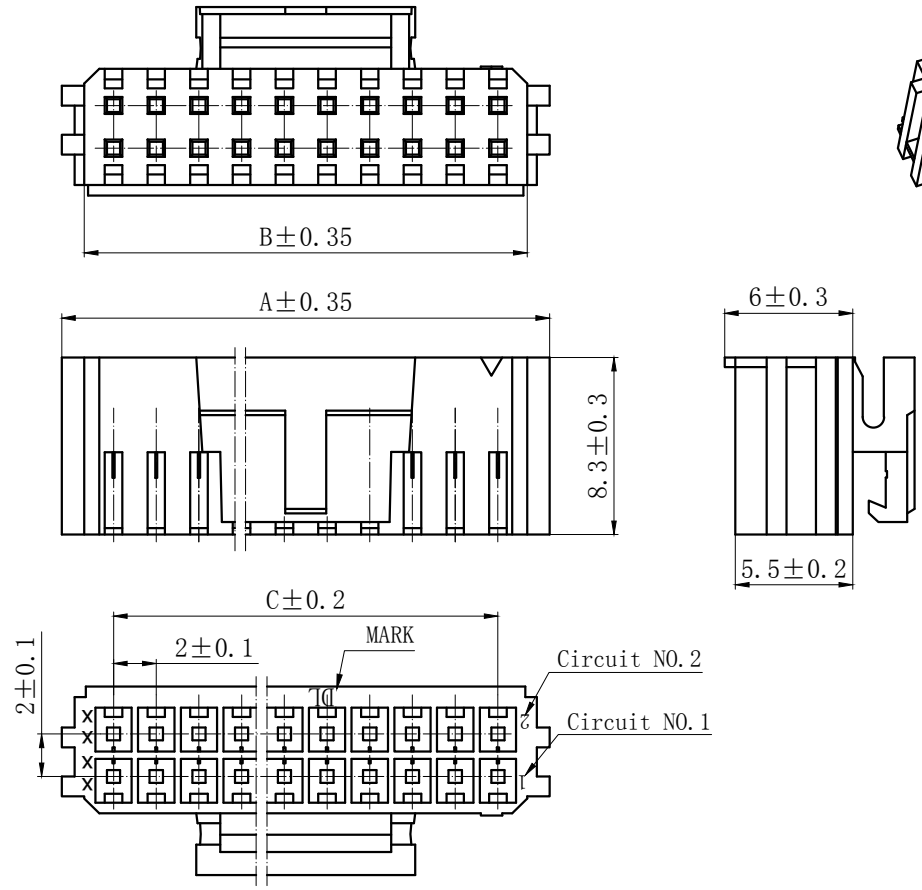
| Circuits | PRODUCT NAME | Dimension mm | | | Circuits | PRODUCT NAME | Dimension mm | | |
|----------|--------------|--------------|-------|-------|----------|--------------|--------------|-------|-------|
| | | A | B | C | | | A | B | C |
| 2X2 | PHBL-4R | 2.00 | 8.40 | 4.80 | 2X13 | PHBL-26R | 24.00 | 30.40 | 26.80 |
| 2X3 | PHBL-6R | 4.00 | 10.40 | 6.80 | 2X14 | PHBL-28R | 26.00 | 32.40 | 28.80 |
| 2X4 | PHBL-8R | 6.00 | 12.40 | 8.80 | 2X15 | PHBL-30R | 28.00 | 34.40 | 30.80 |
| 2X5 | PHBL-10R | 8.00 | 14.40 | 10.80 | 2X16 | PHBL-32R | 30.00 | 36.40 | 32.80 |
| 2X6 | PHBL-12R | 10.00 | 16.40 | 12.80 | 2X17 | PHBL-34R | 32.00 | 38.40 | 34.80 |
| 2X7 | PHBL-14R | 12.00 | 18.40 | 14.80 | 2X18 | PHBL-36R | 34.00 | 40.40 | 36.80 |
| 2X8 | PHBL-16R | 14.00 | 20.40 | 16.80 | 2X19 | PHBL-38R | 36.00 | 42.40 | 38.80 |
| 2X9 | PHBL-18R | 16.00 | 22.40 | 18.80 | 2X20 | PHBL-40R | 38.00 | 44.40 | 40.80 |
| 2X10 | PHBL-20R | 18.00 | 24.40 | 20.80 | 2X21 | PHBL-42R | 40.00 | 46.40 | 42.80 |
| 2X11 | PHBL-22R | 20.00 | 26.40 | 22.80 | ~ | ~ | ~ | ~ | ~ |
| 2X12 | PHBL-24R | 22.00 | 28.40 | 24.80 | 2X30 | PHBL-60R | 58.00 | 64.40 | 60.80 |

| | | | |
|--|-----------------------|------------------------------------|---|
| GENERAL TOLERANCES (UNLESS SPECIFIED) | | ZHE JIANG DELI CONNECTORS CO., LTD | |
| .X: ± 0.25 | X°: $\pm 3.0^\circ$ | PRODUCT NAME: DL20026(PHBL)-R | TITLE: 2.00 mm Pitch Wire To Wire Housing |
| .XX: ± 0.15 | .X°: $\pm 2.0^\circ$ | DR: Chen Quan Long | DATE: 20.11.30 |
| .XXX: ± 0.01 | .XX°: $\pm 1.0^\circ$ | CHKD: Wu Hui | DATE: 20.11.30 |
| FINISH: | | APPD: Ren An De | DATE: 20.11.30 |
| DRAWING NO: | | | PART NO: |
| | | | SCALE: N/A |
| | | | PAGE: 1/1 |
| | | | UNITS: mm |
| | | | REV.: A |

| | | | |
|------|----------------------|------|------|
| REV. | REVISION DESCRIPTION | DATE | APPD |
| | | | |

NOTES

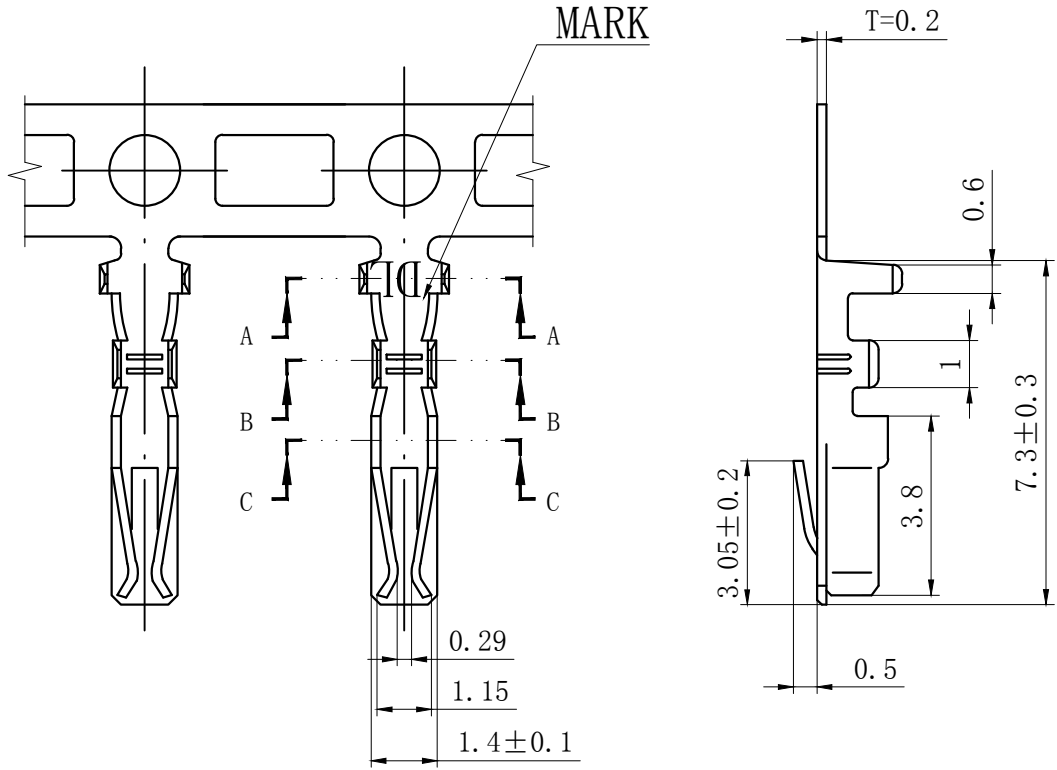
Available in 04 through 60 Circuits.
 Match with DL20026 series housing
 Material : Nylon UL94V-0(2).
 Accepts DL20006-T Crimp Terminal.



| Circuits | PRODUCT NAME | Dimension mm | | | Circuits | PRODUCT NAME | Dimension mm | | |
|----------|--------------|--------------|-------|-------|----------|--------------|--------------|-------|-------|
| | | A | B | C | | | A | B | C |
| 2X2 | PHBL-4Y | 7.00 | 4.70 | 2.00 | 2X13 | PHBL-26Y | 29.00 | 26.70 | 24.00 |
| 2X3 | PHBL-6Y | 9.00 | 6.70 | 4.00 | 2X14 | PHBL-28Y | 31.00 | 28.70 | 26.00 |
| 2X4 | PHBL-8Y | 11.00 | 8.70 | 6.00 | 2X15 | PHBL-30Y | 33.00 | 30.70 | 28.00 |
| 2X5 | PHBL-10Y | 13.00 | 10.70 | 8.00 | 2X16 | PHBL-32Y | 35.00 | 32.70 | 30.00 |
| 2X6 | PHBL-12Y | 15.00 | 12.70 | 10.00 | 2X17 | PHBL-34Y | 37.00 | 34.70 | 32.00 |
| 2X7 | PHBL-14Y | 17.00 | 14.70 | 12.00 | 2X18 | PHBL-36Y | 39.00 | 36.70 | 34.00 |
| 2X8 | PHBL-16Y | 19.00 | 16.70 | 14.00 | 2X19 | PHBL-38Y | 41.00 | 38.70 | 36.00 |
| 2X9 | PHBL-18Y | 21.00 | 18.70 | 16.00 | 2X20 | PHBL-40Y | 43.00 | 40.70 | 38.00 |
| 2X10 | PHBL-20Y | 23.00 | 20.70 | 18.00 | 2X21 | PHBL-42Y | 45.00 | 42.70 | 40.00 |
| 2X11 | PHBL-22Y | 25.00 | 22.70 | 20.00 | ~ | ~ | ~ | ~ | ~ |
| 2X12 | PHBL-24Y | 27.00 | 24.70 | 22.00 | 2X30 | PHBL-60Y | 63.00 | 60.70 | 58.00 |

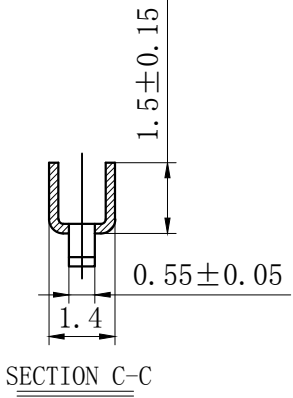
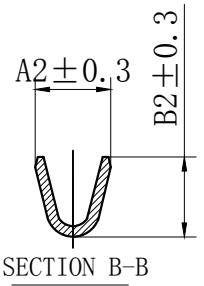
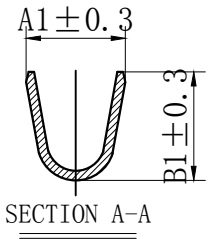
| | | | |
|--|---------------|------------------------------------|---------------------------------|
| GENERAL TOLERANCES (UNLESS SPECIFIED) | | ZHE JIANG DELI CONNECTORS CO., LTD | |
| .X: ± 0.25 | .X°: ± 3.0° | PRODUCT NAME: DL20026 (PHBL)-Y | TITLE: 2.00 mm Pitch Housing |
| .XX: ± 0.15 | .XX°: ± 2.0° | DR: Yuan Jun Rong | DATE:20.11.30 |
| .XXX: ± 0.01 | .XXX°: ± 1.0° | DATE:20.11.30 | PART NO: |
| FINISH: _____ | | CHKD: Wu Hui | SCALE: N/A |
| DRAWING NO: | | APPD:Ren An De | DATE:20.11.30 |
| | | | PAGE: 1/1 |
| | | | UNITS: mm |
| | | | REV.: B |

| REV. | REVISION DESCRIPTION | DATE | APPD |
|------|----------------------|----------|------|
| B | PHB-T开口处及倒勾尺寸调整 | 13/12/26 | 刘兵 |
| C | 调整小压线脚尺寸 | 17/04/13 | 吴慧 |
| D | 调整倒勾形状 | 18/09/25 | 吴慧 |



NOTES

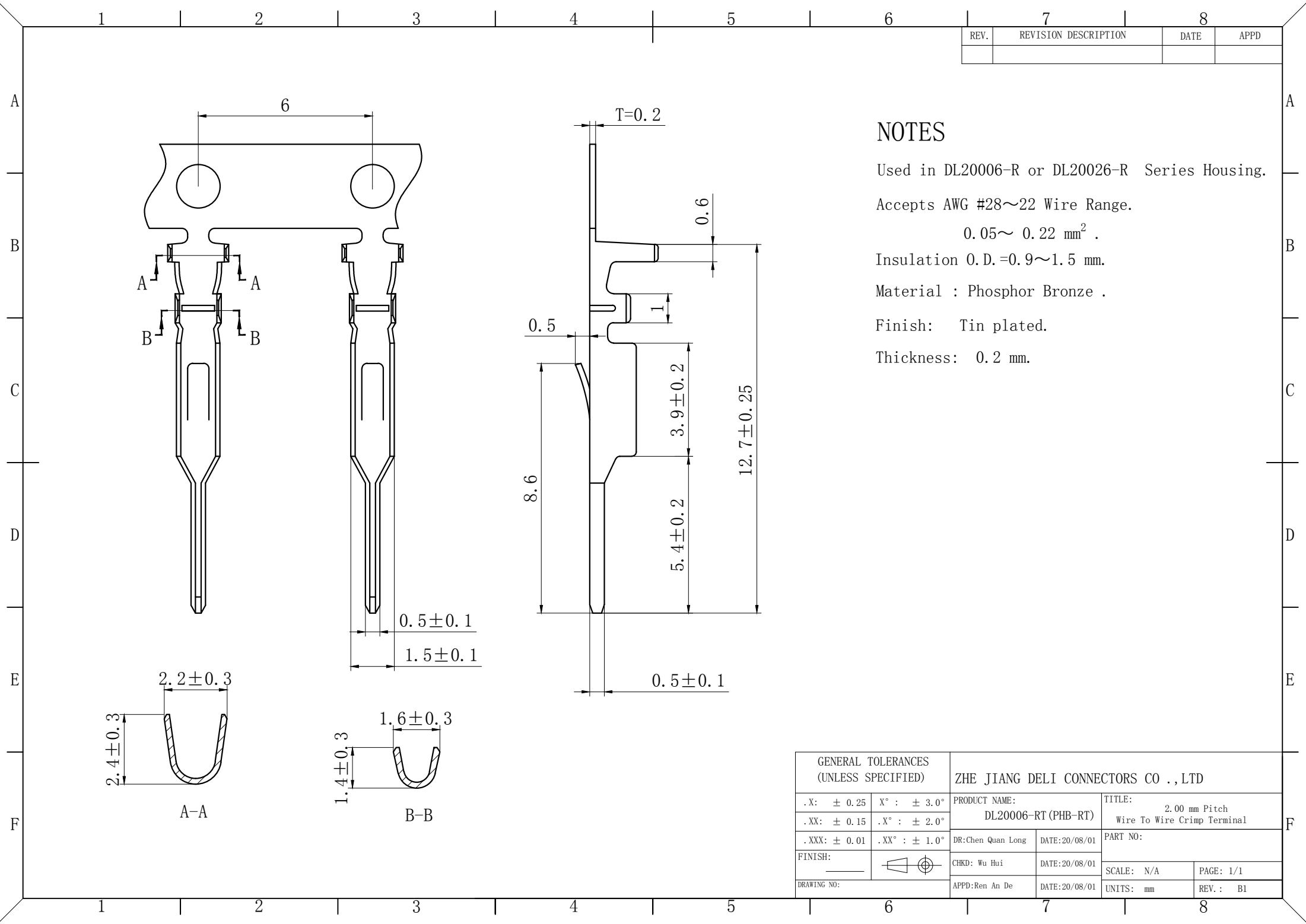
Used in DL20006-Y or DL20026-Y Series Housing.
 Accepts AWG #28~22 Wire Range.
 0.08~ 0.33 mm² .
 Insulation O.D. =0.9~1.5 mm.
 Material : Phosphor Bronze .
 Finish: Tin plated.



| TYPE | Dimension mm | | | | 适用线规 AWG# |
|----------|--------------|-----|-----|-----|--------------|
| | A1 | B1 | A2 | B2 | |
| PHB-T-02 | 2.1 | 2.3 | 1.6 | 1.7 | 24-22 |
| PHB-T-01 | 2.0 | 1.8 | 1.5 | 1.5 | 28-24 |

| GENERAL TOLERANCES (UNLESS SPECIFIED) | | ZHE JIANG DELI CONNECTORS CO., LTD | |
|--|--------------|---|----------------|
| .X: ± 0.25 | X°: ± 3.0° | PRODUCT NAME: DL20006-T (PHB-T) | |
| .XX: ± 0.15 | .X°: ± 2.0° | TITLE: 2.00 mm Pitch Crimp Terminal | |
| .XXX: ± 0.01 | .XX°: ± 1.0° | DR: Chen Quan Long | DATE: 20/04/13 |
| FINISH: _____ | | CHKD: Wu hui | DATE: 20/04/13 |
| DRAWING NO: | | APPD: Ren An De | DATE: 20/04/13 |
| | | SCALE: N/A | PAGE: 1/1 |
| | | UNITS: mm | REV.: D |

| REV. | REVISION DESCRIPTION | DATE | APPD |
|------|----------------------|------|------|
| | | | |



NOTES

Used in DL20006-R or DL20026-R Series Housing.
 Accepts AWG #28~22 Wire Range.
 0.05~ 0.22 mm² .
 Insulation O.D.=0.9~1.5 mm.
 Material : Phosphor Bronze .
 Finish: Tin plated.
 Thickness: 0.2 mm.

| GENERAL TOLERANCES (UNLESS SPECIFIED) | | ZHE JIANG DELI CONNECTORS CO .,LTD | |
|--|---------------|--------------------------------------|--|
| .X: ± 0.25 | X° : ± 3.0° | PRODUCT NAME: DL20006-RT (PHB-RT) | TITLE: 2.00 mm Pitch Wire To Wire Crimp Terminal |
| .XX: ± 0.15 | .X° : ± 2.0° | DR:Chen Quan Long | DATE:20/08/01 |
| .XXX: ± 0.01 | .XX° : ± 1.0° | CHKD: Wu Hui | DATE:20/08/01 |
| FINISH: _____ | | APPD:Ren An De | DATE:20/08/01 |
| DRAWING NO: | | | SCALE: N/A |
| | | | PAGE: 1/1 |
| | | | UNITS: mm |
| | | | REV. : B1 |

X-ON Electronics

Largest Supplier of Electrical and Electronic Components

Click to view similar products for [Headers & Wire Housings](#) category:

Click to view products by [DLL](#) manufacturer:

Other Similar products are found below :

[0015917161](#) [0022155065](#) [57102-F02-18ULF](#) [58102-G61-06LF](#) [582553-1](#) [01.001.5753.1](#) [0050291907](#) [02.125.8002.8](#) [609-3404](#) [61062-3](#)
[CSU011177004](#) [622-0430](#) [622-3653LF](#) [63453-116](#) [636-1030](#) [636-1427](#) [636-3427](#) [636-4007](#) [641938-9](#) [65495-038](#) [65692-001LF](#) [65781-018](#)
[65781-047](#) [65817-010LF](#) [65817-015LF](#) [67095-007LF](#) [67601157](#) [68631-112](#) [68645-018](#) [699319-000](#) [70.362.1628.0](#) [70-4210](#) [70-4226B](#) [70-](#)
[4853B](#) [71.350.2428.0](#) [733-134](#) [733-162](#) [760-3052](#) [MHR-64-VUAL](#) [80.063.4001.1](#) [800-90-001-10-001000](#) [801-43-002-10-013000](#)
[801-43-006-10-002000](#) [803-43-024-10-001000](#) [803-93-012-10-001000](#) [8-1437020-4](#) [819-22-004-30-001101](#) [820-22-006-30-001101](#)
[820-22-008-30-001101](#) [821-22-002-10-001101](#)