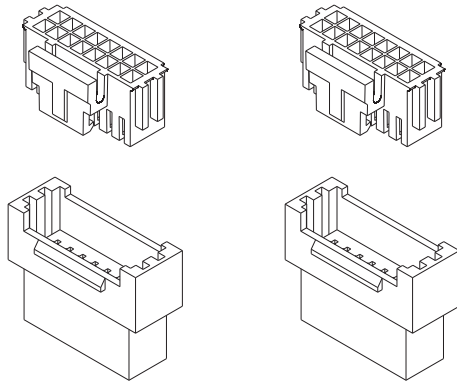
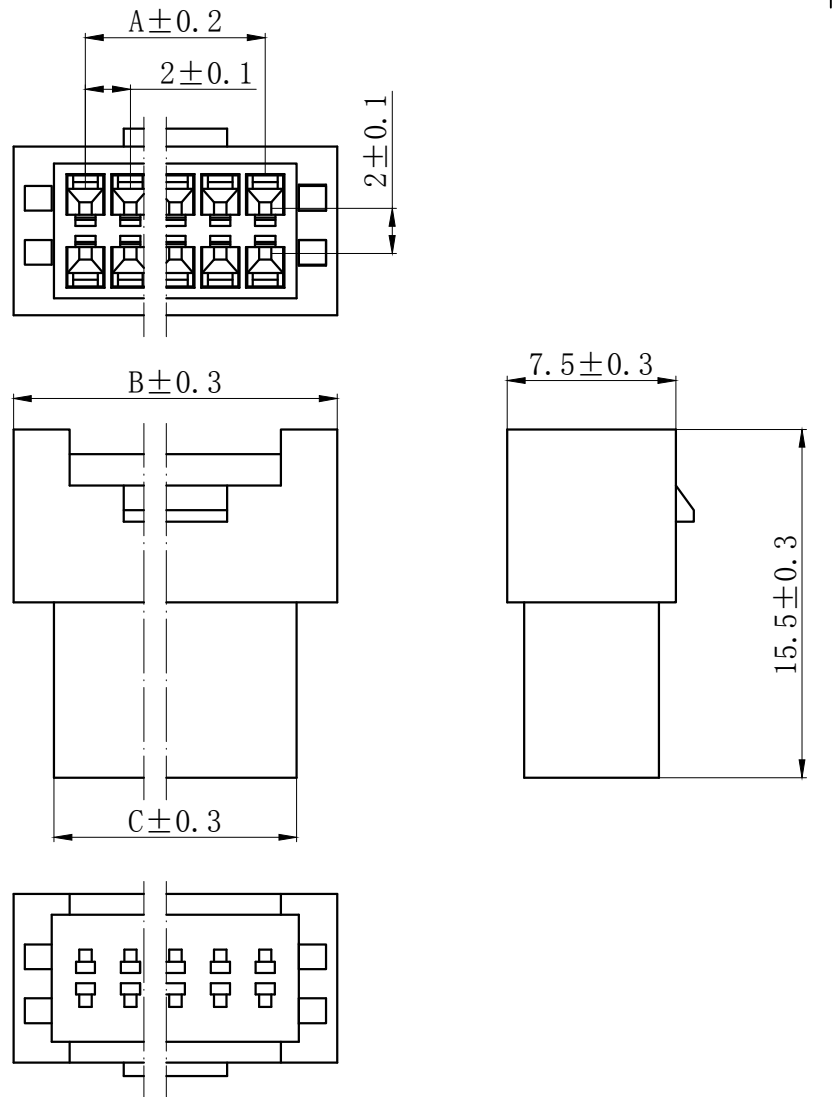


技术特性/Specifications:

额定电压 Rated voltage: 250V AC, DC  
额定电流 Rated current: 2A AC, DC  
接触电阻 Contact resistance: 10m $\Omega$  max  
绝缘电阻 Insulation resistance: 1000M $\Omega$  min  
耐压 Withstand voltage: 800V AC/minute  
环境温度 Ambient temperature: -40 $^{\circ}$ C~+105 $^{\circ}$ C  
适用线规 Wire range: AWG#28~#22



|      |                      |      |      |
|------|----------------------|------|------|
| REV. | REVISION DESCRIPTION | DATE | APPD |
|      |                      |      |      |



### NOTES

Available in 04 through 60 Circuits.  
Mates with DL20026-Y Series Housing.  
Material : Nylon UL94V-0(2).  
Accepts DL20006-RT Crimp Terminal.

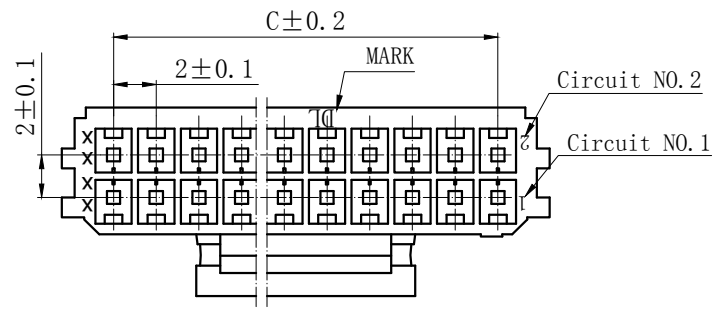
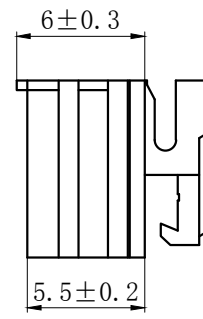
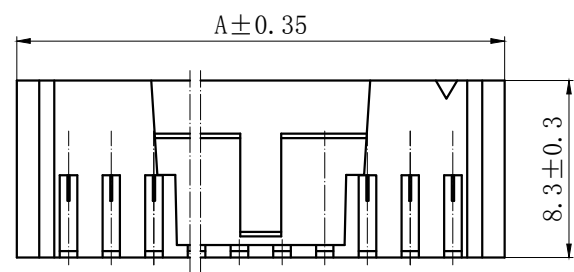
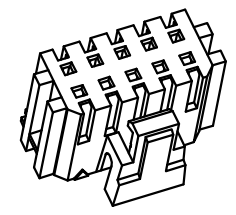
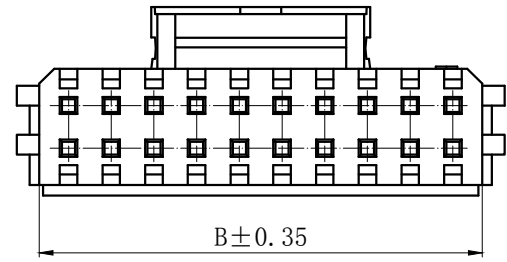
| Circuits | PRODUCT NAME | Dimension mm |       |       | Circuits | PRODUCT NAME | Dimension mm |       |       |
|----------|--------------|--------------|-------|-------|----------|--------------|--------------|-------|-------|
|          |              | A            | B     | C     |          |              | A            | B     | C     |
| 2X2      | PHBL-4R      | 2.00         | 8.40  | 4.80  | 2X13     | PHBL-26R     | 24.00        | 30.40 | 26.80 |
| 2X3      | PHBL-6R      | 4.00         | 10.40 | 6.80  | 2X14     | PHBL-28R     | 26.00        | 32.40 | 28.80 |
| 2X4      | PHBL-8R      | 6.00         | 12.40 | 8.80  | 2X15     | PHBL-30R     | 28.00        | 34.40 | 30.80 |
| 2X5      | PHBL-10R     | 8.00         | 14.40 | 10.80 | 2X16     | PHBL-32R     | 30.00        | 36.40 | 32.80 |
| 2X6      | PHBL-12R     | 10.00        | 16.40 | 12.80 | 2X17     | PHBL-34R     | 32.00        | 38.40 | 34.80 |
| 2X7      | PHBL-14R     | 12.00        | 18.40 | 14.80 | 2X18     | PHBL-36R     | 34.00        | 40.40 | 36.80 |
| 2X8      | PHBL-16R     | 14.00        | 20.40 | 16.80 | 2X19     | PHBL-38R     | 36.00        | 42.40 | 38.80 |
| 2X9      | PHBL-18R     | 16.00        | 22.40 | 18.80 | 2X20     | PHBL-40R     | 38.00        | 44.40 | 40.80 |
| 2X10     | PHBL-20R     | 18.00        | 24.40 | 20.80 | 2X21     | PHBL-42R     | 40.00        | 46.40 | 42.80 |
| 2X11     | PHBL-22R     | 20.00        | 26.40 | 22.80 | ~        | ~            | ~            | ~     | ~     |
| 2X12     | PHBL-24R     | 22.00        | 28.40 | 24.80 | 2X30     | PHBL-60R     | 58.00        | 64.40 | 60.80 |

|  |                       |                                    |   |
|--|-----------------------|------------------------------------|---|
| GENERAL TOLERANCES<br>(UNLESS SPECIFIED) |                       | ZHE JIANG DELI CONNECTORS CO., LTD |   |
| .X: $\pm 0.25$                           | X°: $\pm 3.0^\circ$   | PRODUCT NAME:<br>DL20026(PHBL)-R   | TITLE:<br>2.00 mm Pitch<br>Wire To Wire Housing |
| .XX: $\pm 0.15$                          | .X°: $\pm 2.0^\circ$  | DR: Chen Quan Long                 | DATE: 20.11.30                                  |
| .XXX: $\pm 0.01$                         | .XX°: $\pm 1.0^\circ$ | CHKD: Wu Hui                       | DATE: 20.11.30                                  |
| FINISH:                                  |                       | APPD: Ren An De                    | DATE: 20.11.30                                  |
| DRAWING NO:                              |                       |                                    | PART NO:  |
|  |                       |                                    | SCALE: N/A                                      |
|  |                       |                                    | PAGE: 1/1                                       |
|  |                       |                                    | UNITS: mm                                       |
|  |                       |                                    | REV.: A   |

|      |                      |      |      |
|------|----------------------|------|------|
| REV. | REVISION DESCRIPTION | DATE | APPD |
|      |                      |      |      |

NOTES

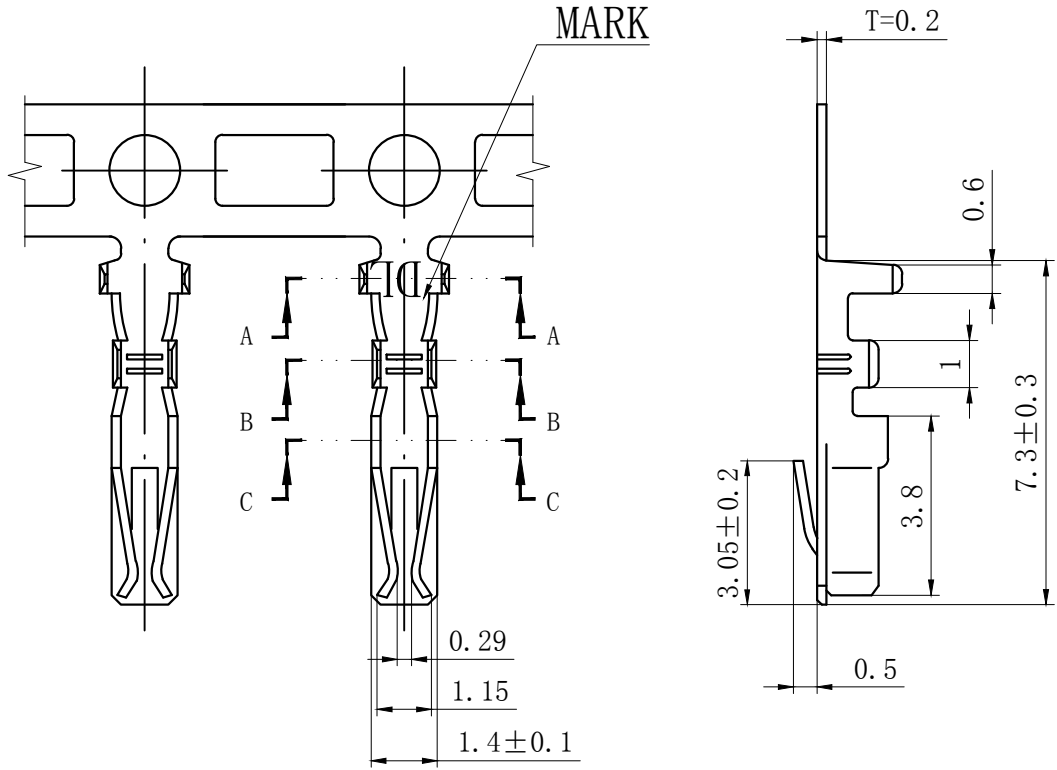
Available in 04 through 60 Circuits.  
 Match with DL20026 series housing  
 Material : Nylon UL94V-0(2).  
 Accepts DL20006-T Crimp Terminal.



| Circuits | PRODUCT NAME | Dimension mm |       |       | Circuits | PRODUCT NAME | Dimension mm |       |       |
|----------|--------------|--------------|-------|-------|----------|--------------|--------------|-------|-------|
|          |              | A            | B     | C     |          |              | A            | B     | C     |
| 2X2      | PHBL-4Y      | 7.00         | 4.70  | 2.00  | 2X13     | PHBL-26Y     | 29.00        | 26.70 | 24.00 |
| 2X3      | PHBL-6Y      | 9.00         | 6.70  | 4.00  | 2X14     | PHBL-28Y     | 31.00        | 28.70 | 26.00 |
| 2X4      | PHBL-8Y      | 11.00        | 8.70  | 6.00  | 2X15     | PHBL-30Y     | 33.00        | 30.70 | 28.00 |
| 2X5      | PHBL-10Y     | 13.00        | 10.70 | 8.00  | 2X16     | PHBL-32Y     | 35.00        | 32.70 | 30.00 |
| 2X6      | PHBL-12Y     | 15.00        | 12.70 | 10.00 | 2X17     | PHBL-34Y     | 37.00        | 34.70 | 32.00 |
| 2X7      | PHBL-14Y     | 17.00        | 14.70 | 12.00 | 2X18     | PHBL-36Y     | 39.00        | 36.70 | 34.00 |
| 2X8      | PHBL-16Y     | 19.00        | 16.70 | 14.00 | 2X19     | PHBL-38Y     | 41.00        | 38.70 | 36.00 |
| 2X9      | PHBL-18Y     | 21.00        | 18.70 | 16.00 | 2X20     | PHBL-40Y     | 43.00        | 40.70 | 38.00 |
| 2X10     | PHBL-20Y     | 23.00        | 20.70 | 18.00 | 2X21     | PHBL-42Y     | 45.00        | 42.70 | 40.00 |
| 2X11     | PHBL-22Y     | 25.00        | 22.70 | 20.00 | ~        | ~            | ~            | ~     | ~     |
| 2X12     | PHBL-24Y     | 27.00        | 24.70 | 22.00 | 2X30     | PHBL-60Y     | 63.00        | 60.70 | 58.00 |

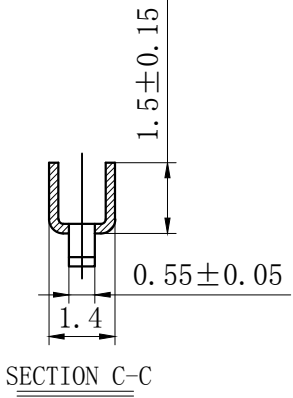
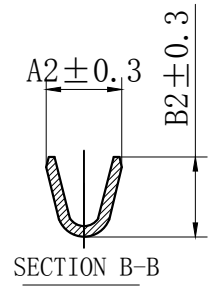
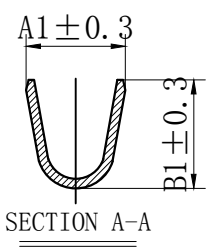
|  |              |                                    |                                 |
|--|--------------|------------------------------------|---------------------------------|
| GENERAL TOLERANCES<br>(UNLESS SPECIFIED) |              | ZHE JIANG DELI CONNECTORS CO., LTD |                                 |
| .X: ± 0.25                               | X°: ± 3.0°   | PRODUCT NAME:<br>DL20026 (PHBL)-Y  | TITLE:<br>2.00 mm Pitch Housing |
| .XX: ± 0.15                              | .X°: ± 2.0°  | DR: Yuan Jun Rong                  | DATE: 20.11.30                  |
| .XXX: ± 0.01                             | .XX°: ± 1.0° | CHKD: Wu Hui                       | DATE: 20.11.30                  |
| FINISH: _____                            |              | APPD: Ren An De                    | DATE: 20.11.30                  |
| DRAWING NO:                              |              |                                    | PART NO:                        |
|  |              |                                    | SCALE: N/A                      |
|  |              |                                    | PAGE: 1/1                       |
|  |              |                                    | UNITS: mm                       |
|  |              |                                    | REV.: B                         |

| REV. | REVISION DESCRIPTION | DATE     | APPD |
|------|----------------------|----------|------|
| B    | PHB-T开口处及倒勾尺寸调整      | 13/12/26 | 刘兵   |
| C    | 调整小压线脚尺寸             | 17/04/13 | 吴慧   |
| D    | 调整倒勾形状               | 18/09/25 | 吴慧   |



## NOTES

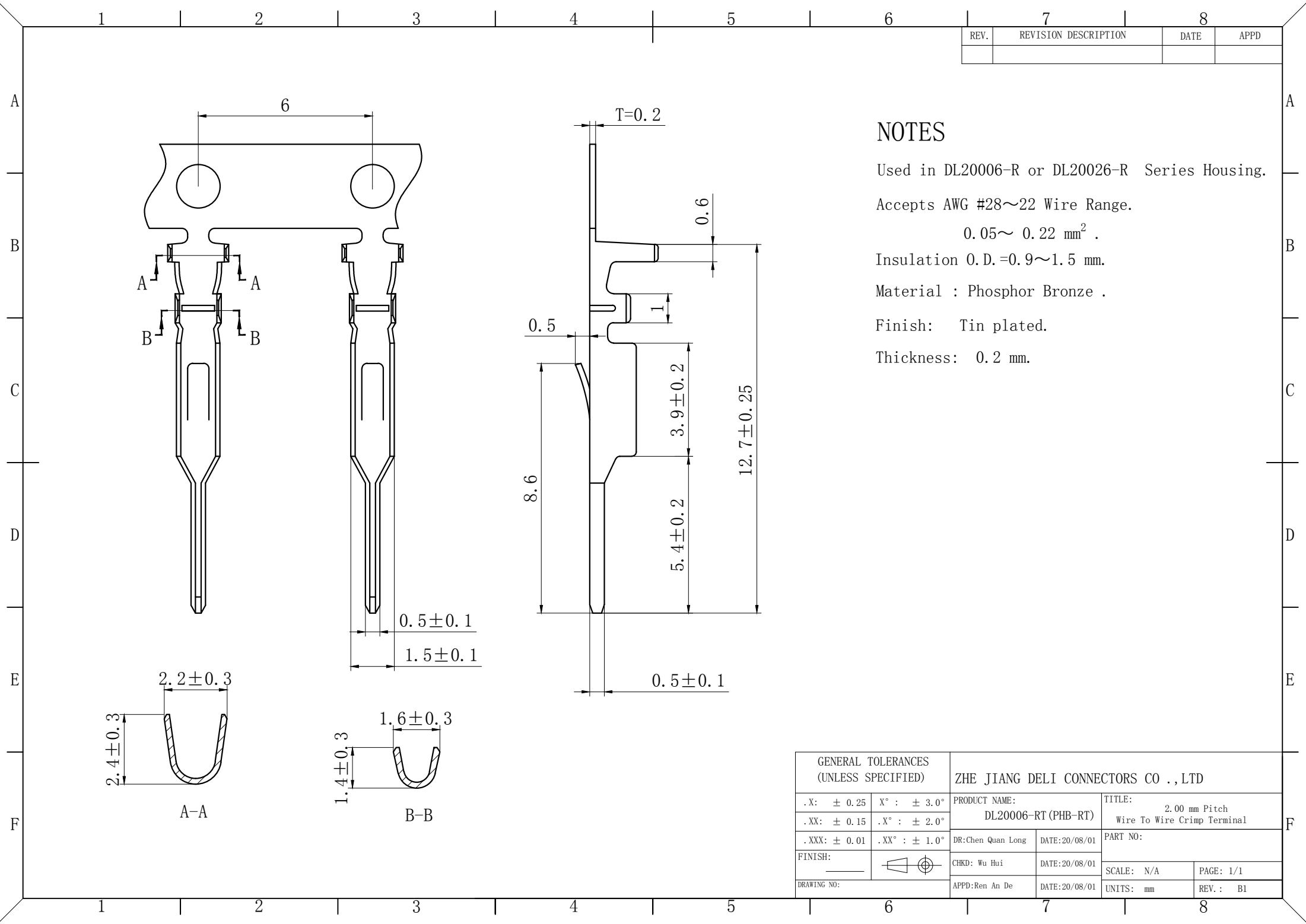
Used in DL20006-Y or DL20026-Y Series Housing.  
 Accepts AWG #28~22 Wire Range.  
 0.08~ 0.33 mm<sup>2</sup> .  
 Insulation O.D.=0.9~1.5 mm.  
 Material : Phosphor Bronze .  
 Finish: Tin plated.



| TYPE     | Dimension mm |     |     |     | 适用线规<br>AWG# |
|----------|--------------|-----|-----|-----|--------------|
|          | A1           | B1  | A2  | B2  |              |
| PHB-T-02 | 2.1          | 2.3 | 1.6 | 1.7 | 24-22        |
| PHB-T-01 | 2.0          | 1.8 | 1.5 | 1.5 | 28-24        |

| GENERAL TOLERANCES<br>(UNLESS SPECIFIED) |              | ZHE JIANG DELI CONNECTORS CO., LTD        |                |
|--|--------------|---|----------------|
| .X: ± 0.25                               | X°: ± 3.0°   | PRODUCT NAME:<br>DL20006-T (PHB-T)        |                |
| .XX: ± 0.15                              | .X°: ± 2.0°  | TITLE:<br>2.00 mm Pitch<br>Crimp Terminal |                |
| .XXX: ± 0.01                             | .XX°: ± 1.0° | DR: Chen Quan Long                        | DATE: 20/04/13 |
| FINISH: _____                            |              | CHKD: Wu hui                              | DATE: 20/04/13 |
| DRAWING NO:                              |              | APPD: Ren An De                           | DATE: 20/04/13 |
|  |              | SCALE: N/A                                | PAGE: 1/1      |
|  |              | UNITS: mm                                 | REV.: D        |

| REV. | REVISION DESCRIPTION | DATE | APPD |
|------|----------------------|------|------|
|      |                      |      |      |



### NOTES

Used in DL20006-R or DL20026-R Series Housing.  
 Accepts AWG #28~22 Wire Range.  
 0.05~ 0.22 mm<sup>2</sup> .  
 Insulation O.D.=0.9~1.5 mm.  
 Material : Phosphor Bronze .  
 Finish: Tin plated.  
 Thickness: 0.2 mm.

| GENERAL TOLERANCES<br>(UNLESS SPECIFIED) |               | ZHE JIANG DELI CONNECTORS CO .,LTD   |  |
|--|---------------|--------------------------------------|--|
| .X: ± 0.25                               | X° : ± 3.0°   | PRODUCT NAME:<br>DL20006-RT (PHB-RT) | TITLE:<br>2.00 mm Pitch<br>Wire To Wire Crimp Terminal |
| .XX: ± 0.15                              | .X° : ± 2.0°  | DR:Chen Quan Long                    | DATE:20/08/01  |
| .XXX: ± 0.01                             | .XX° : ± 1.0° | CHKD: Wu Hui                         | DATE:20/08/01  |
| FINISH:<br>_____                         |               | APPD:Ren An De                       | DATE:20/08/01  |
| DRAWING NO:                              |               |                                      | SCALE: N/A   |
|  |               |                                      | PAGE: 1/1  |
|  |               |                                      | UNITS: mm  |
|  |               |                                      | REV. : B1  |

## X-ON Electronics

Largest Supplier of Electrical and Electronic Components

*Click to view similar products for [Headers & Wire Housings](#) category:*

*Click to view products by [DLL](#) manufacturer:*

Other Similar products are found below :

[0015917161](#) [0022155065](#) [57102-F02-18ULF](#) [58102-G61-06LF](#) [582553-1](#) [01.001.5753.1](#) [0050291907](#) [02.125.8002.8](#) [609-3404](#) [61062-3](#)  
[CSU011177004](#) [622-0430](#) [622-3653LF](#) [63453-116](#) [636-1030](#) [636-1427](#) [636-3427](#) [636-4007](#) [641938-9](#) [65495-038](#) [65692-001LF](#) [65781-018](#)  
[65781-047](#) [65817-010LF](#) [65817-015LF](#) [67095-007LF](#) [67601157](#) [68631-112](#) [68645-018](#) [699319-000](#) [70.362.1628.0](#) [70-4210](#) [70-4226B](#) [70-](#)  
[4853B](#) [71.350.2428.0](#) [733-134](#) [733-162](#) [MHR-64-VUAL](#) [80.063.4001.1](#) [800-90-001-10-001000](#) [801-43-002-10-013000](#) [801-43-006-10-](#)  
[002000](#) [803-43-024-10-001000](#) [803-93-012-10-001000](#) [8-1437020-4](#) [819-22-004-30-001101](#) [820-22-006-30-001101](#) [820-22-008-30-001101](#)  
[821-22-002-10-001101](#) [821-22-003-10-002101](#)