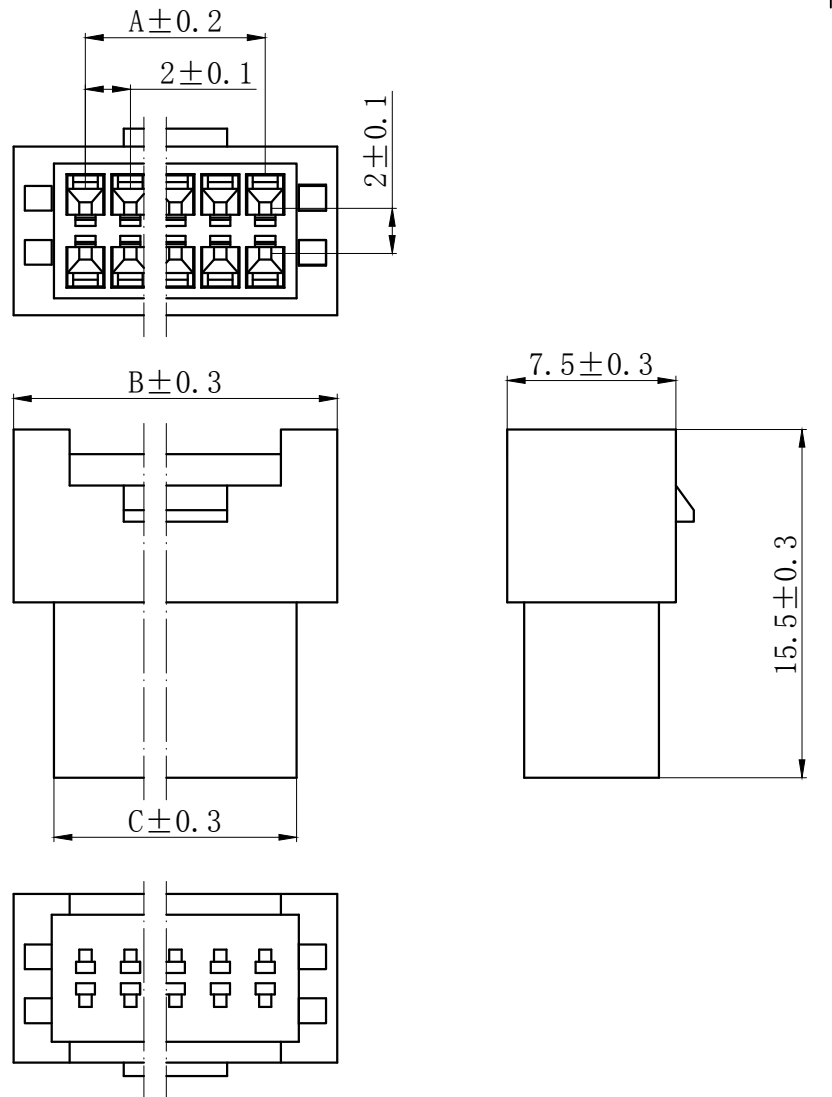


技术特性/Specifications:

额定电压 Rated voltage: 250V AC, DC
额定电流 Rated current: 2A AC, DC
接触电阻 Contact resistance: 10m Ω max
绝缘电阻 Insulation resistance: 1000M Ω min
耐压 Withstand voltage: 800V AC/minute
环境温度 Ambient temperature: -40 $^{\circ}$ C~+105 $^{\circ}$ C
适用线规 Wire range: AWG#28~#22

REV.	REVISION DESCRIPTION	DATE	APPD



NOTES

Available in 04 through 60 Circuits.
Mates with DL20026-Y Series Housing.
Material : Nylon UL94V-0(2).
Accepts DL20006-RT Crimp Terminal.

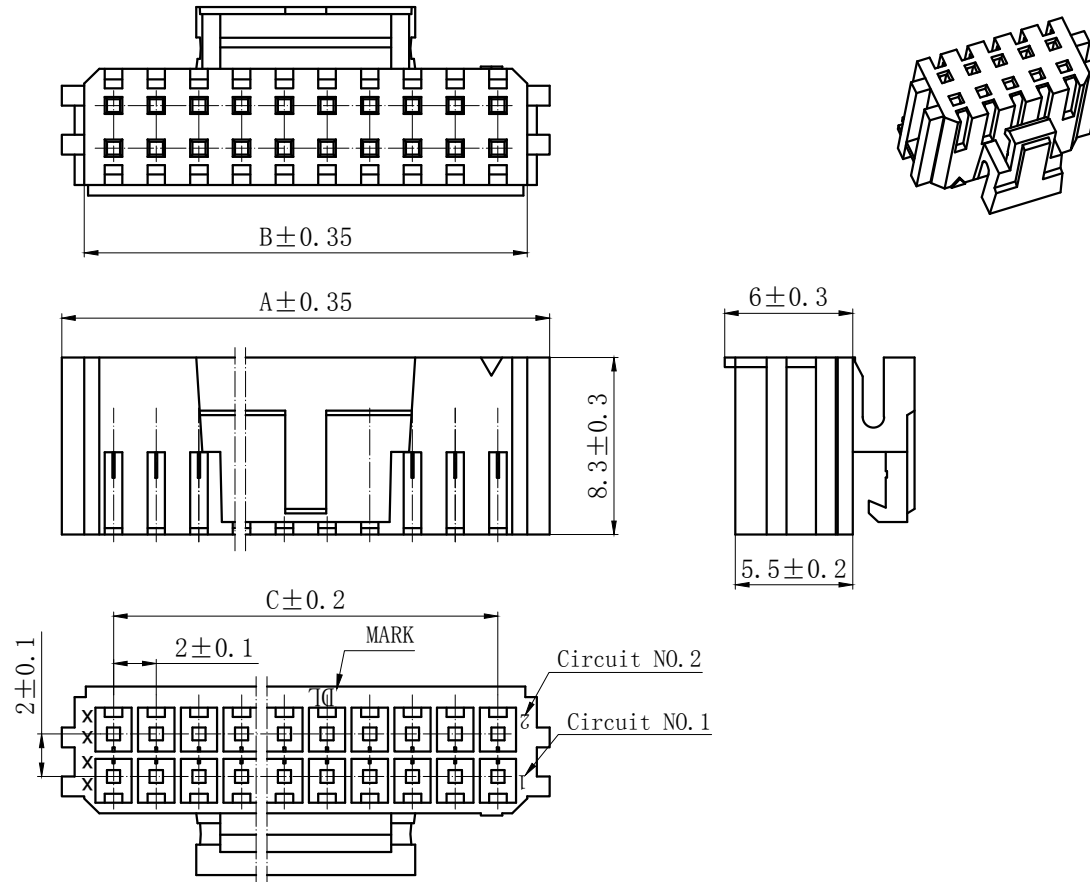
Circuits	PRODUCT NAME	Dimension mm			Circuits	PRODUCT NAME	Dimension mm		
		A	B	C			A	B	C
2X2	PHBL-4R	2.00	8.40	4.80	2X13	PHBL-26R	24.00	30.40	26.80
2X3	PHBL-6R	4.00	10.40	6.80	2X14	PHBL-28R	26.00	32.40	28.80
2X4	PHBL-8R	6.00	12.40	8.80	2X15	PHBL-30R	28.00	34.40	30.80
2X5	PHBL-10R	8.00	14.40	10.80	2X16	PHBL-32R	30.00	36.40	32.80
2X6	PHBL-12R	10.00	16.40	12.80	2X17	PHBL-34R	32.00	38.40	34.80
2X7	PHBL-14R	12.00	18.40	14.80	2X18	PHBL-36R	34.00	40.40	36.80
2X8	PHBL-16R	14.00	20.40	16.80	2X19	PHBL-38R	36.00	42.40	38.80
2X9	PHBL-18R	16.00	22.40	18.80	2X20	PHBL-40R	38.00	44.40	40.80
2X10	PHBL-20R	18.00	24.40	20.80	2X21	PHBL-42R	40.00	46.40	42.80
2X11	PHBL-22R	20.00	26.40	22.80	~	~	~	~	~
2X12	PHBL-24R	22.00	28.40	24.80	2X30	PHBL-60R	58.00	64.40	60.80

GENERAL TOLERANCES (UNLESS SPECIFIED)		ZHE JIANG DELI CONNECTORS CO., LTD	
.X: ± 0.25	X°: $\pm 3.0^\circ$	PRODUCT NAME: DL20026(PHBL)-R	TITLE: 2.00 mm Pitch Wire To Wire Housing
.XX: ± 0.15	.X°: $\pm 2.0^\circ$	DR: Chen Quan Long	DATE: 20.11.30
.XXX: ± 0.01	.XX°: $\pm 1.0^\circ$	CHKD: Wu Hui	DATE: 20.11.30
FINISH:		APPD: Ren An De	DATE: 20.11.30
DRAWING NO:			PART NO:
			SCALE: N/A
			PAGE: 1/1
			UNITS: mm
			REV.: A

REV.	REVISION DESCRIPTION	DATE	APPD

NOTES

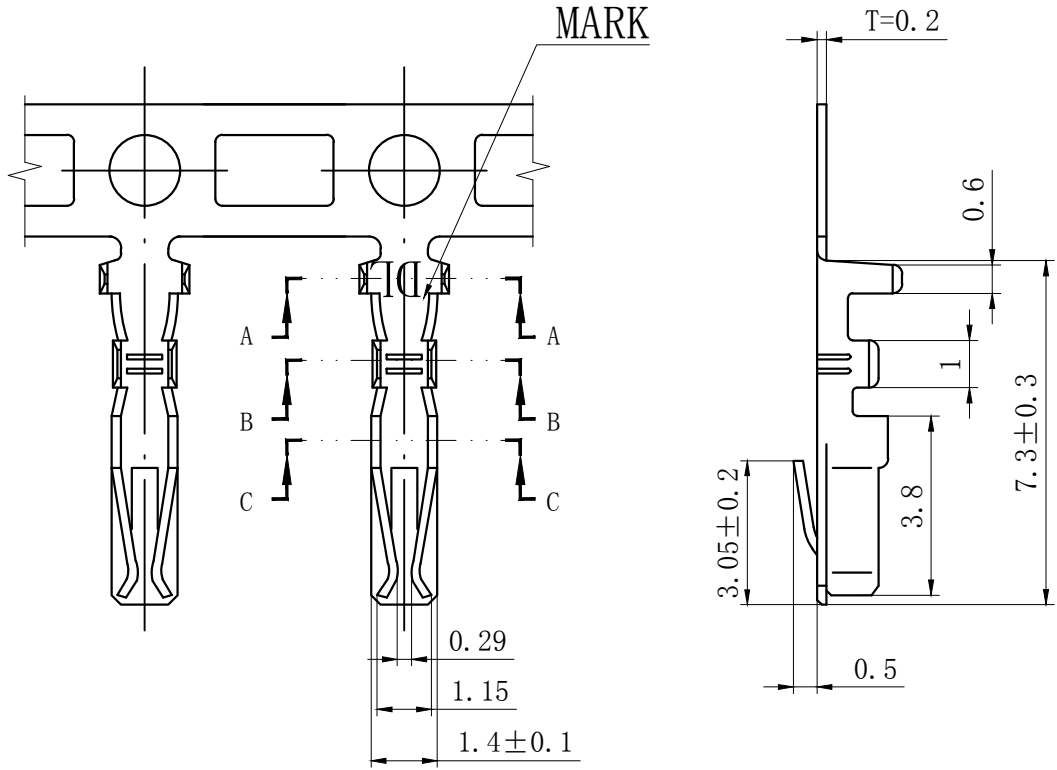
Available in 04 through 60 Circuits.
 Match with DL20026 series housing
 Material : Nylon UL94V-0(2).
 Accepts DL20006-T Crimp Terminal.



Circuits	PRODUCT NAME	Dimension mm			Circuits	PRODUCT NAME	Dimension mm		
		A	B	C			A	B	C
2X2	PHBL-4Y	7.00	4.70	2.00	2X13	PHBL-26Y	29.00	26.70	24.00
2X3	PHBL-6Y	9.00	6.70	4.00	2X14	PHBL-28Y	31.00	28.70	26.00
2X4	PHBL-8Y	11.00	8.70	6.00	2X15	PHBL-30Y	33.00	30.70	28.00
2X5	PHBL-10Y	13.00	10.70	8.00	2X16	PHBL-32Y	35.00	32.70	30.00
2X6	PHBL-12Y	15.00	12.70	10.00	2X17	PHBL-34Y	37.00	34.70	32.00
2X7	PHBL-14Y	17.00	14.70	12.00	2X18	PHBL-36Y	39.00	36.70	34.00
2X8	PHBL-16Y	19.00	16.70	14.00	2X19	PHBL-38Y	41.00	38.70	36.00
2X9	PHBL-18Y	21.00	18.70	16.00	2X20	PHBL-40Y	43.00	40.70	38.00
2X10	PHBL-20Y	23.00	20.70	18.00	2X21	PHBL-42Y	45.00	42.70	40.00
2X11	PHBL-22Y	25.00	22.70	20.00	~	~	~	~	~
2X12	PHBL-24Y	27.00	24.70	22.00	2X30	PHBL-60Y	63.00	60.70	58.00

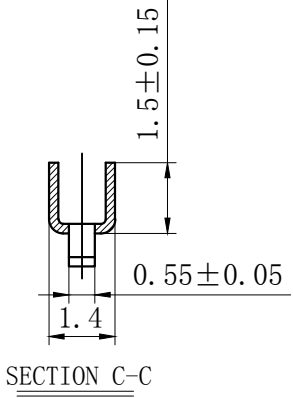
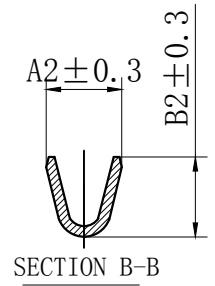
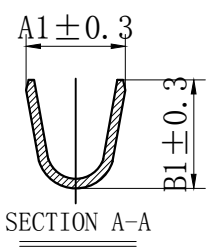
GENERAL TOLERANCES (UNLESS SPECIFIED)		ZHE JIANG DELI CONNECTORS CO., LTD	
.X: ± 0.25	.X°: ± 3.0°	PRODUCT NAME: DL20026 (PHBL)-Y	TITLE: 2.00 mm Pitch Housing
.XX: ± 0.15	.XX°: ± 2.0°	DR: Yuan Jun Rong	DATE:20.11.30
.XXX: ± 0.01	.XXX°: ± 1.0°	CHKD: Wu Hui	DATE:20.11.30
FINISH: _____		APPD: Ren An De	DATE:20.11.30
DRAWING NO:			PART NO:
			SCALE: N/A
			PAGE: 1/1
			UNITS: mm
			REV.: B

REV.	REVISION DESCRIPTION	DATE	APPD
B	PHB-T开口处及倒勾尺寸调整	13/12/26	刘兵
C	调整小压线脚尺寸	17/04/13	吴慧
D	调整倒勾形状	18/09/25	吴慧



NOTES

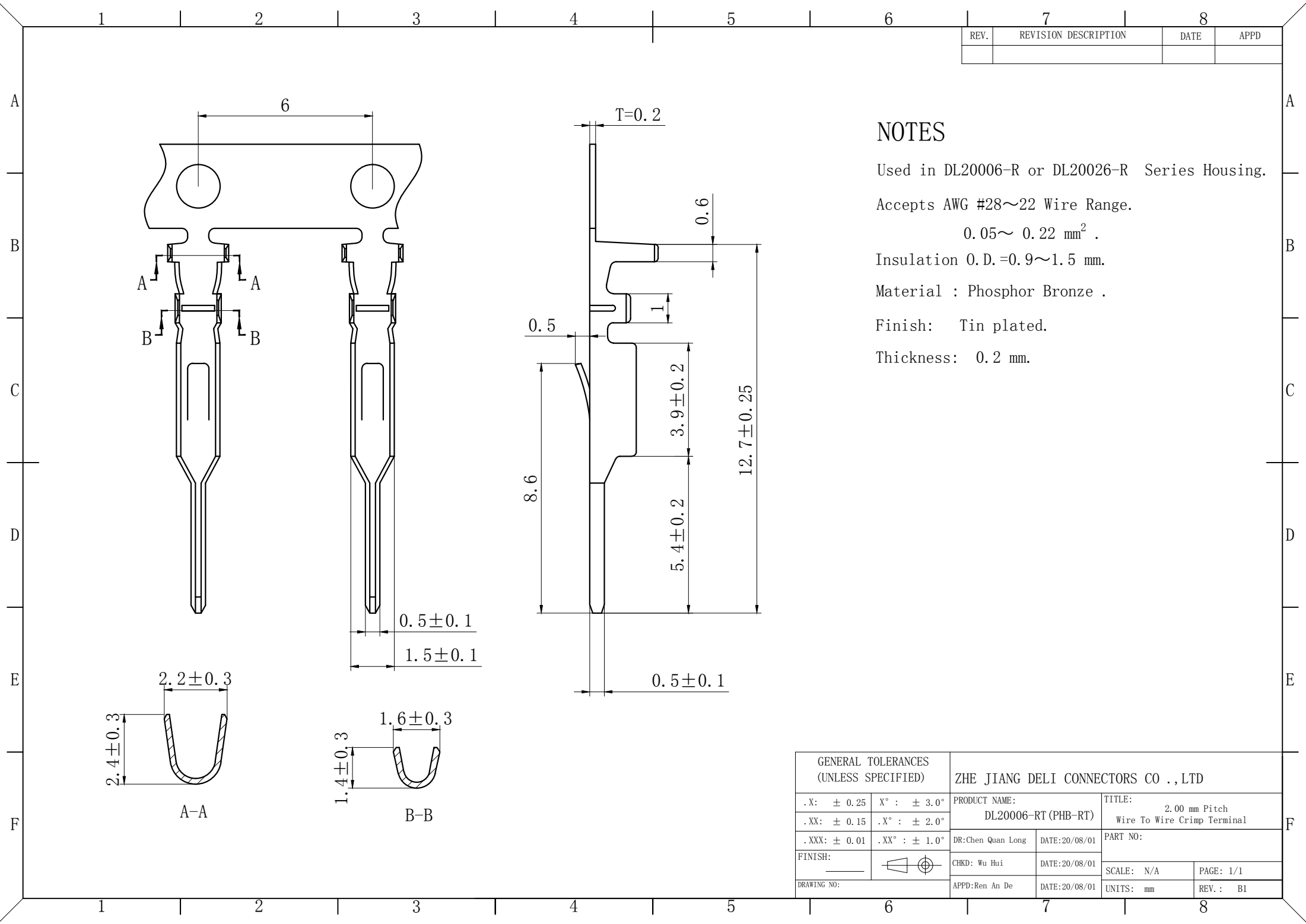
Used in DL20006-Y or DL20026-Y Series Housing.
 Accepts AWG #28~22 Wire Range.
 0.08~ 0.33 mm² .
 Insulation O.D. =0.9~1.5 mm.
 Material : Phosphor Bronze .
 Finish: Tin plated.



TYPE	Dimension mm				适用线规 AWG#
	A1	B1	A2	B2	
PHB-T-02	2.1	2.3	1.6	1.7	24-22
PHB-T-01	2.0	1.8	1.5	1.5	28-24

GENERAL TOLERANCES (UNLESS SPECIFIED)		ZHE JIANG DELI CONNECTORS CO., LTD	
.X: ± 0.25	X°: ± 3.0°	PRODUCT NAME: DL20006-T (PHB-T)	
.XX: ± 0.15	.X°: ± 2.0°	TITLE: 2.00 mm Pitch Crimp Terminal	
.XXX: ± 0.01	.XX°: ± 1.0°	PART NO:	
FINISH: _____		DR: Chen Quan Long	DATE: 20/04/13
DRAWING NO:		CHKD: Wu hui	DATE: 20/04/13
		APPD: Ren An De	DATE: 20/04/13
		SCALE: N/A	PAGE: 1/1
		UNITS: mm	REV.: D

REV.	REVISION DESCRIPTION	DATE	APPD



NOTES

Used in DL20006-R or DL20026-R Series Housing.
 Accepts AWG #28~22 Wire Range.
 0.05~ 0.22 mm² .
 Insulation O.D.=0.9~1.5 mm.
 Material : Phosphor Bronze .
 Finish: Tin plated.
 Thickness: 0.2 mm.

GENERAL TOLERANCES (UNLESS SPECIFIED)		ZHE JIANG DELI CONNECTORS CO .,LTD	
.X: ± 0.25	X° : ± 3.0°	PRODUCT NAME: DL20006-RT (PHB-RT)	TITLE: 2.00 mm Pitch Wire To Wire Crimp Terminal
.XX: ± 0.15	.X° : ± 2.0°	DR:Chen Quan Long	DATE:20/08/01
.XXX: ± 0.01	.XX° : ± 1.0°	CHKD: Wu Hui	DATE:20/08/01
FINISH:		APPD:Ren An De	DATE:20/08/01
DRAWING NO:		SCALE: N/A	PAGE: 1/1
		UNITS: mm	REV. : B1

X-ON Electronics

Largest Supplier of Electrical and Electronic Components

Click to view similar products for [Headers & Wire Housings](#) category:

Click to view products by [DLL](#) manufacturer:

Other Similar products are found below :

[0015917161](#) [0022155065](#) [57102-F02-18ULF](#) [58102-G61-06LF](#) [582553-1](#) [01.001.5753.1](#) [0050291907](#) [02.125.8002.8](#) [609-3404](#) [61062-3](#)
[CSU011177004](#) [622-0430](#) [622-3653LF](#) [63453-116](#) [636-1030](#) [636-1427](#) [636-3427](#) [636-4007](#) [641938-9](#) [65495-038](#) [65692-001LF](#) [65781-018](#)
[65781-047](#) [65817-010LF](#) [65817-015LF](#) [67095-007LF](#) [67601157](#) [68631-112](#) [68645-018](#) [699319-000](#) [70.362.1628.0](#) [70-4210](#) [70-4226B](#) [70-](#)
[4853B](#) [71.350.2428.0](#) [733-134](#) [733-162](#) [MHR-64-VUAL](#) [80.063.4001.1](#) [800-90-001-10-001000](#) [801-43-002-10-013000](#) [801-43-006-10-](#)
[002000](#) [803-43-024-10-001000](#) [803-93-012-10-001000](#) [8-1437020-4](#) [819-22-004-30-001101](#) [820-22-006-30-001101](#) [820-22-008-30-001101](#)
[821-22-002-10-001101](#) [821-22-003-10-002101](#)