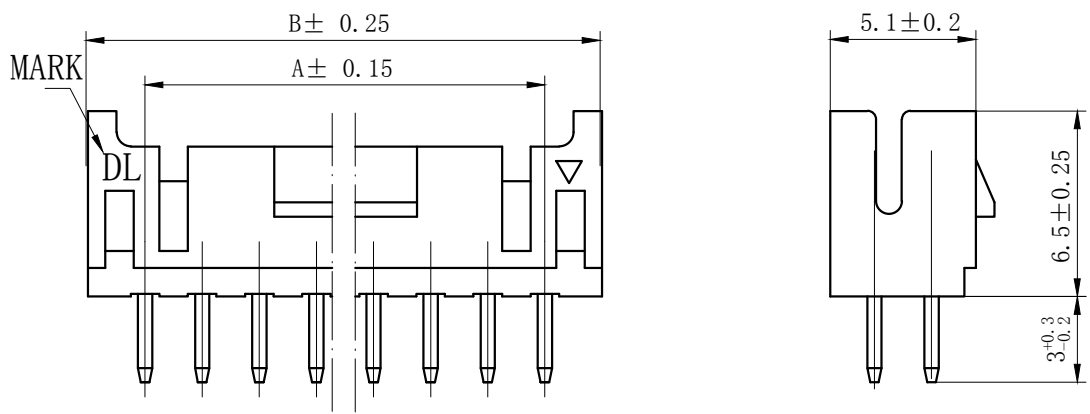


技术特性/Specifications:

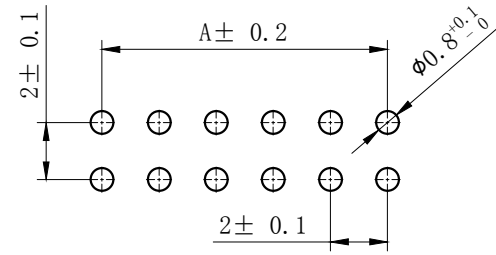
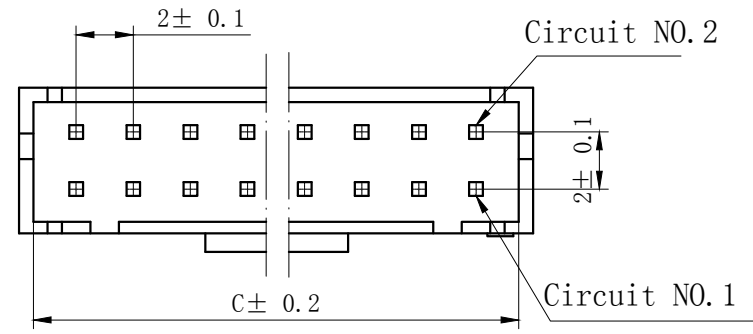
额定电压 Rated voltage: 250V AC, DC
额定电流 Rated current: 3A AC, DC
接触电阻 Contact resistance: 20m Ω max
绝缘电阻 Insulation resistance: 1000M Ω min
耐压 Withstand voltage: 800V AC/minute
环境温度 Ambient temperature: -40 $^{\circ}$ C~+105 $^{\circ}$ C
适用线规 Wire range: AWG#28~#22

| | | |
|------|----------------------|------|
| REV. | REVISION DESCRIPTION | DATE |
| | | |



NOTES

Available in 04 through 60 Circuits.
 Mates with DL20017-Y Series Housing.
 Material : Nylon UL94V-0(2).
 0.50mm Square Pin.
 Pin Material : Brass / Tin-Plated.

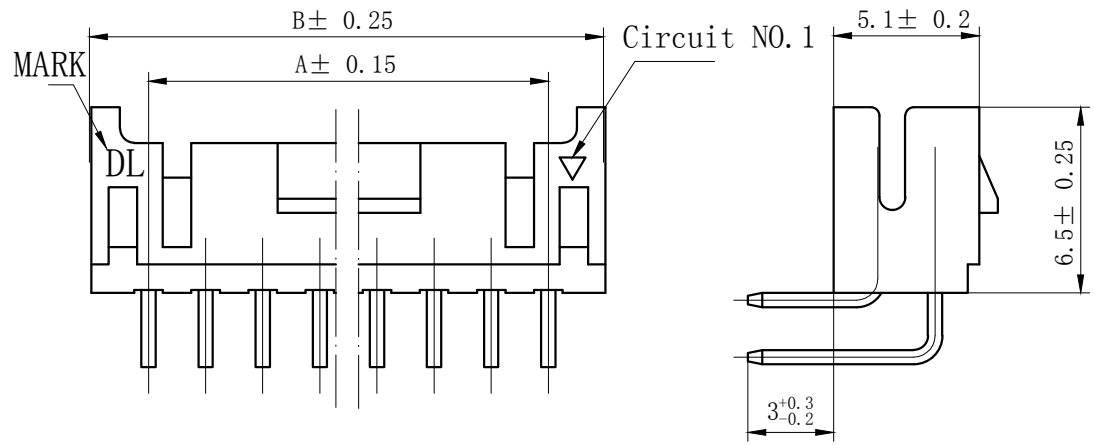


PCB LAYOUT

| Circuits | Product name | Dimension mm | | | Circuits | Product name | Dimension mm | | | Circuits | Product name | Dimension mm | | |
|----------|--------------|--------------|-------|-------|----------|--------------|--------------|-------|-------|----------|--------------|--------------|-------|-------|
| | | A | B | C | | | A | B | C | | | A | B | C |
| 2X2 | PHDS-4A | 2.00 | 6.00 | 5.00 | 2X10 | PHDS-20A | 18.00 | 22.00 | 21.00 | 2X18 | PHDS-36A | 34.00 | 38.00 | 37.00 |
| 2X3 | PHDS-6A | 4.00 | 8.00 | 7.00 | 2X11 | PHDS-22A | 20.00 | 24.00 | 23.00 | 2X19 | PHDS-38A | 36.00 | 40.00 | 39.00 |
| 2X4 | PHDS-8A | 6.00 | 10.00 | 9.00 | 2X12 | PHDS-24A | 22.00 | 26.00 | 25.00 | 2X20 | PHDS-40A | 38.00 | 42.00 | 41.00 |
| 2X5 | PHDS-10A | 8.00 | 12.00 | 11.00 | 2X13 | PHDS-26A | 24.00 | 28.00 | 27.00 | ~ | ~ | ~ | ~ | ~ |
| 2X6 | PHDS-12A | 10.00 | 14.00 | 13.00 | 2X14 | PHDS-28A | 26.00 | 30.00 | 29.00 | 2X30 | PHDS-60A | 58.00 | 62.00 | 61.00 |
| 2X7 | PHDS-14A | 12.00 | 16.00 | 15.00 | 2X15 | PHDS-30A | 28.00 | 32.00 | 31.00 | | | | | |
| 2X8 | PHDS-16A | 14.00 | 18.00 | 17.00 | 2X16 | PHDS-32A | 30.00 | 34.00 | 33.00 | | | | | |
| 2X9 | PHDS-18A | 16.00 | 20.00 | 19.00 | 2X17 | PHDS-34A | 32.00 | 36.00 | 35.00 | | | | | |

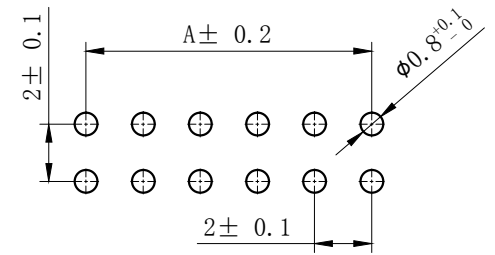
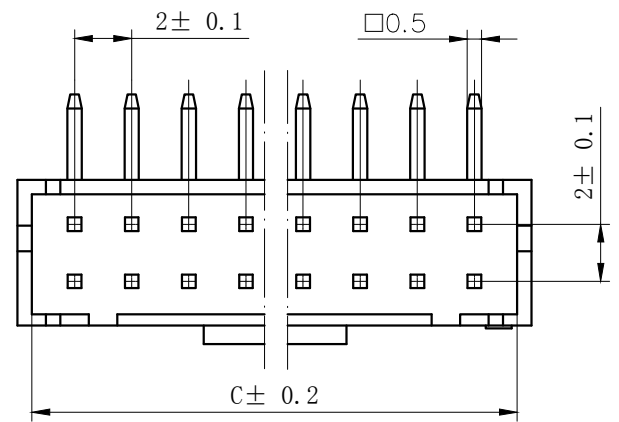
| | | | |
|--|--------------|---|---|
| GENERAL TOLERANCES (UNLESS SPECIFIED) | | ZHE JIANG DELI CONNECTORS CO., LTD | |
| .X: ± 0.25 | X°: ± 3.0° | PRODUCT NAME: DL20017(PHDS)-A | TITLE: 2.0 mm Pitch Wire To Board Wafer |
| .XX: ± 0.15 | .X°: ± 2.0° | DR: Yuan JunRong | DATE:21/08/01 |
| .XXX: ± 0.01 | .XX°: ± 1.0° | CHKD: Wu Hui | DATE:21/08/01 |
| DRAWING NO: | | APPD:Ren An De | DATE:21/08/01 |
| | | | PART NO: |
| | | | SCALE: N/A |
| | | | PAGE: 1/1 |
| | | | UNITS: mm |
| | | | REV.: A |

| | | |
|------|-------------|------|
| REV. | REVISION | DATE |
| | DESCRIPTION | |



NOTES

Available in 04 through 60 Circuits.
 Mates with DL20017-Y Series Housing.
 Material : Nylon UL94V-0(2).
 0.50mm Square Pin.
 Pin Material : Brass / Tin-Plated.

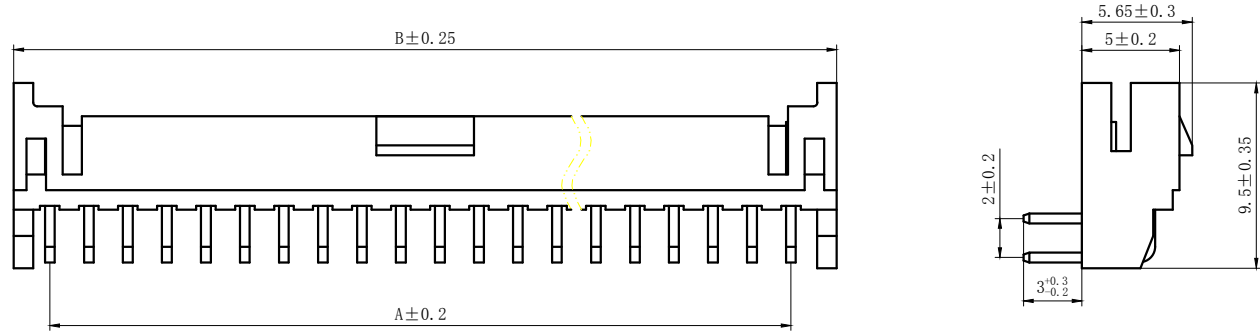


PCB LAYOUT

| Circuits | Product name | Dimension mm | | | Circuits | Product name | Dimension mm | | | Circuits | Product name | Dimension mm | | |
|----------|--------------|--------------|-------|-------|----------|--------------|--------------|-------|-------|----------|--------------|--------------|-------|-------|
| | | A | B | C | | | A | B | C | | | A | B | C |
| 2X2 | PHDS-4AW | 2.00 | 6.00 | 5.00 | 2X10 | PHDS-20AW | 18.00 | 22.00 | 21.00 | 2X18 | PHDS-36AW | 34.00 | 38.00 | 37.00 |
| 2X3 | PHDS-6AW | 4.00 | 8.00 | 7.00 | 2X11 | PHDS-22AW | 20.00 | 24.00 | 23.00 | 2X19 | PHDS-38AW | 36.00 | 40.00 | 39.00 |
| 2X4 | PHDS-8AW | 6.00 | 10.00 | 9.00 | 2X12 | PHDS-24AW | 22.00 | 26.00 | 25.00 | 2X20 | PHDS-40AW | 38.00 | 42.00 | 41.00 |
| 2X5 | PHDS-10AW | 8.00 | 12.00 | 11.00 | 2X13 | PHDS-26AW | 24.00 | 28.00 | 27.00 | ~ | ~ | ~ | ~ | ~ |
| 2X6 | PHDS-12AW | 10.00 | 14.00 | 13.00 | 2X14 | PHDS-28AW | 26.00 | 30.00 | 29.00 | 2X30 | PHDS-60AW | 58.00 | 62.00 | 61.00 |
| 2X7 | PHDS-14AW | 12.00 | 16.00 | 15.00 | 2X15 | PHDS-30AW | 28.00 | 32.00 | 31.00 | | | | | |
| 2X8 | PHDS-16AW | 14.00 | 18.00 | 17.00 | 2X16 | PHDS-32AW | 30.00 | 34.00 | 33.00 | | | | | |
| 2X9 | PHDS-18AW | 16.00 | 20.00 | 19.00 | 2X17 | PHDS-34AW | 32.00 | 36.00 | 35.00 | | | | | |

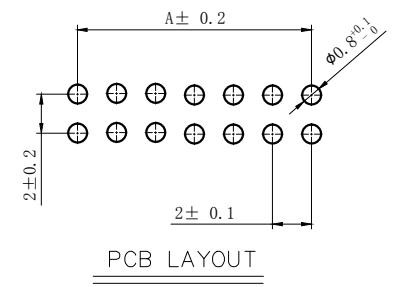
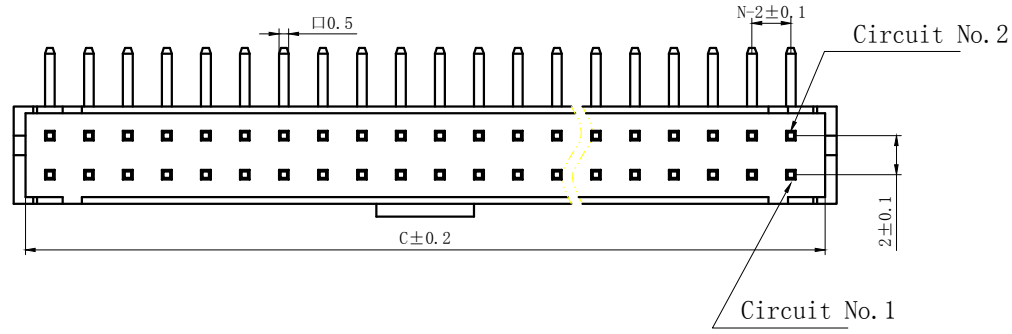
| | | | |
|--|--------------|---|---|
| GENERAL TOLERANCES (UNLESS SPECIFIED) | | ZHE JIANG DELI CONNECTORS CO., LTD | |
| .X: ± 0.25 | X°: ± 3.0° | PRODUCT NAME: DL20017 (PHDS)-AW | TITLE: 2.0 mm Pitch Wire To Board Wafer |
| .XX: ± 0.15 | .X°: ± 2.0° | DR: Yuan Junrong | DATE:21/08/01 |
| .XXX: ± 0.01 | .XX°: ± 1.0° | CHKD: Wu Hui | DATE:21/08/01 |
| FINISH: | | APPD: Ren An De | DATE:21/08/01 |
| DRAWING NO: | | | |
| | | SCALE: N/A | PAGE: 1/1 |
| | | UNITS: mm | REV.: A |

| | | | |
|------|----------------------|--------|------|
| REV. | REVISION DESCRIPTION | DATE | APPD |
| A1 | 更新公差 | 19.8.1 | Wu |



NOTES

Available in 04 through 60 Circuits.
Mates with DL20017-Y Series Housing.
Material : Nylon UL94V-0(2).
0.50mm Square Pin.
Pin Material : Brass / Tin-Plated.



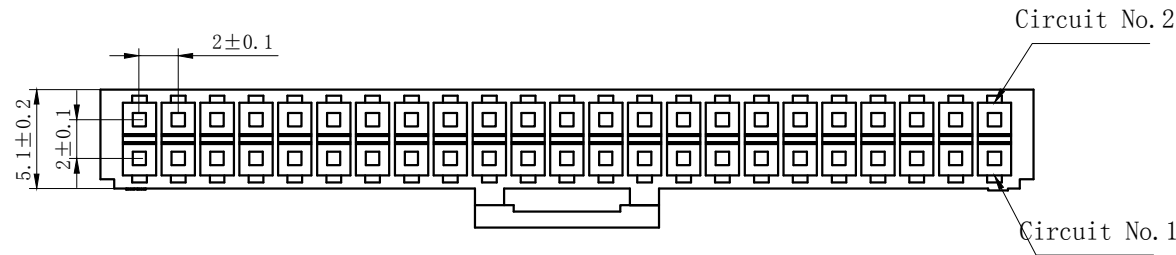
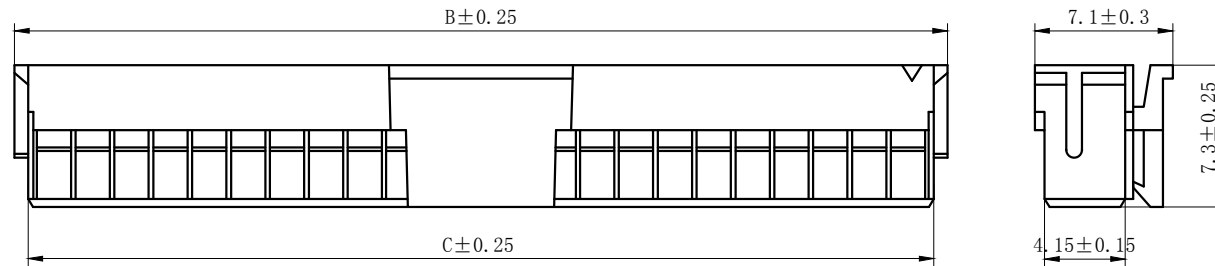
| Circuits | Product name | Dimension mm | | | Circuits | Product name | Dimension mm | | | Circuits | Product name | Dimension mm | | |
|----------|--------------|--------------|-------|-------|----------|--------------|--------------|-------|-------|----------|--------------|--------------|-------|-------|
| | | A | B | C | | | A | B | C | | | A | B | C |
| 2X2 | PHDS-4AWD | 2.00 | 6.00 | 5.00 | 2X10 | PHDS-20AWD | 18.00 | 22.00 | 21.00 | 2X18 | PHDS-36AWD | 34.00 | 38.00 | 37.00 |
| 2X3 | PHDS-6AWD | 4.00 | 8.00 | 7.00 | 2X11 | PHDS-22AWD | 20.00 | 24.00 | 23.00 | 2X19 | PHDS-38AWD | 36.00 | 40.00 | 39.00 |
| 2X4 | PHDS-8AWD | 6.00 | 10.00 | 9.00 | 2X12 | PHDS-24AWD | 22.00 | 26.00 | 25.00 | 2X20 | PHDS-40AWD | 38.00 | 42.00 | 41.00 |
| 2X5 | PHDS-10AWD | 8.00 | 12.00 | 11.00 | 2X13 | PHDS-26AWD | 24.00 | 28.00 | 27.00 | ~ | ~ | ~ | ~ | ~ |
| 2X6 | PHDS-12AWD | 10.00 | 14.00 | 13.00 | 2X14 | PHDS-28AWD | 26.00 | 30.00 | 29.00 | 2X30 | PHDS-60AWD | 58.00 | 62.00 | 61.00 |
| 2X7 | PHDS-14AWD | 12.00 | 16.00 | 15.00 | 2X15 | PHDS-30AWD | 28.00 | 32.00 | 31.00 | | | | | |
| 2X8 | PHDS-16AWD | 14.00 | 18.00 | 17.00 | 2X16 | PHDS-32AWD | 30.00 | 34.00 | 33.00 | | | | | |
| 2X9 | PHDS-18AWD | 16.00 | 20.00 | 19.00 | 2X17 | PHDS-34AWD | 32.00 | 36.00 | 35.00 | | | | | |

| | | | |
|--|--------------|--|--|
| GENERAL TOLERANCES (UNLESS SPECIFIED) | | ZHE JIANG DELI CONNECTORS CO., LTD | |
| .X: ± 0.25 | X°: ± 3.0° | PRODUCT NAME: DL20017 (PHDS)-AWD | TITLE: 2.0 mm Pitch Wire To Board Wafer |
| .XX: ± 0.15 | .X°: ± 2.0° | DR: Yuan Junrong | DATE: 21/08/01 |
| .XXX: ± 0.01 | .XX°: ± 1.0° | CHKD: Hu Hui | DATE: 21/08/01 |
| FINISH: | | APPD: Ren An De | DATE: 21/08/01 |
| DRAWING NO: | | | |
| | | PART NO: | SCALE: N/A |
| | | | PAGE: 1/1 |
| | | UNITS: mm | REV.: A1 |

| | | | |
|------|----------------------|------|------|
| REV. | REVISION DESCRIPTION | DATE | APPD |
| | | | |

NOTES

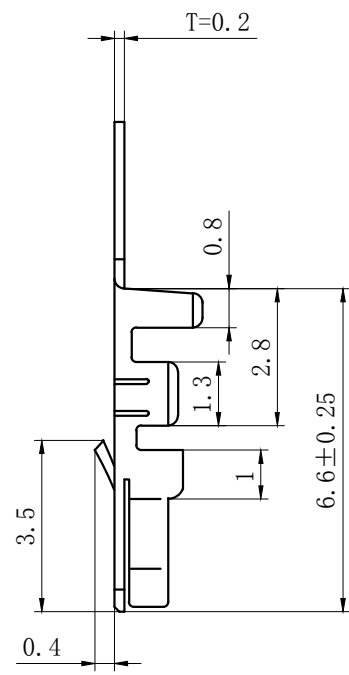
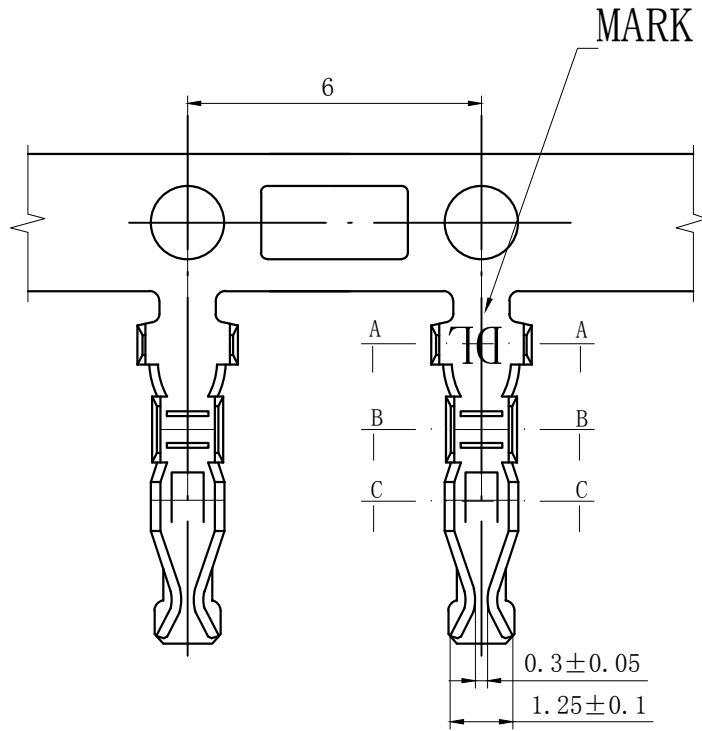
Available in 04 through 60 Circuits.
Mates with DL20017-A or DL20017-AW or DL20017-AWD Series WAFER.
Material : Nylon UL94V-0(2).
Accepts DL20004-T Crimp Terminal.



| Circuits | Product name | Dimension mm | | | Circuits | Product name | Dimension mm | | | Circuits | Product name | Dimension mm | | |
|----------|--------------|--------------|-------|-------|----------|--------------|--------------|-------|-------|----------|--------------|--------------|-------|-------|
| | | A | B | C | | | A | B | C | | | A | B | C |
| 2X2 | PHDS-4Y | 2.00 | 6.00 | 4.60 | 2X10 | PHDS-20Y | 18.00 | 22.00 | 20.60 | 2X18 | PHDS-36Y | 34.00 | 38.00 | 36.60 |
| 2X3 | PHDS-6Y | 4.00 | 8.00 | 6.60 | 2X11 | PHDS-22Y | 20.00 | 24.00 | 22.60 | 2X19 | PHDS-38Y | 36.00 | 40.00 | 38.60 |
| 2X4 | PHDS-8Y | 6.00 | 10.00 | 8.60 | 2X12 | PHDS-24Y | 22.00 | 26.00 | 24.60 | 2X20 | PHDS-40Y | 38.00 | 42.00 | 40.60 |
| 2X5 | PHDS-10Y | 8.00 | 12.00 | 10.60 | 2X13 | PHDS-26Y | 24.00 | 28.00 | 26.60 | 2X21 | PHDS-42Y | 40.00 | 44.00 | 42.60 |
| 2X6 | PHDS-12Y | 10.00 | 14.00 | 12.60 | 2X14 | PHDS-28Y | 26.00 | 30.00 | 28.60 | 2X22 | PHDS-44Y | 42.00 | 46.00 | 44.60 |
| 2X7 | PHDS-14Y | 12.00 | 16.00 | 14.60 | 2X15 | PHDS-30Y | 28.00 | 32.00 | 30.60 | ~ | ~ | ~ | ~ | ~ |
| 2X8 | PHDS-16Y | 14.00 | 18.00 | 16.60 | 2X16 | PHDS-32Y | 30.00 | 34.00 | 32.60 | 2X30 | PHDS-60Y | 58.00 | 62.00 | 60.60 |
| 2X9 | PHDS-18Y | 16.00 | 20.00 | 18.60 | 2X17 | PHDS-34Y | 32.00 | 36.00 | 34.60 | | | | | |

| | | | |
|--|---------------|--|---------------|
| GENERAL TOLERANCES (UNLESS SPECIFIED) | | ZHE JIANG DELI CONNECTORS CO., LTD | |
| .X: ± 0.25 | X° : ± 3.0° | PRODUCT NAME: DL20017 (PHDS)-Y | |
| .XX: ± 0.15 | .X° : ± 2.0° | TITLE: 2.0 mm Pitch Wire To Board Wafer | |
| .XXX: ± 0.01 | .XX° : ± 1.0° | DR: Yuan Junrong | DATE:21/08/01 |
| FINISH: | | CHKD: Wu Hui | DATE:21/08/01 |
| DRAWING NO: | | APPD:Ren An De | DATE:21/08/01 |
| | | SCALE: N/A | PAGE: 1/1 |
| | | UNITS: mm | REV. : A |

| REV. | REVISION DESCRIPTION | DATE | APPD |
|------|----------------------|------|------|
| B | | | |
| C | | | |



NOTES

Used in DL20004-Y or DL20016-Y or DL20017-Y Series Housing.

Accepts AWG #28~22 Wire Range.

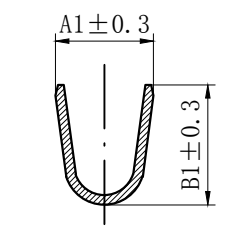
0.08~ 0.33 mm² .

Insulation O.D.=0.9~1.5 mm.

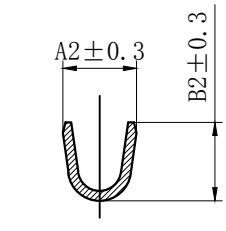
Material : Phosphor Bronze .

Finish: Tin plated.

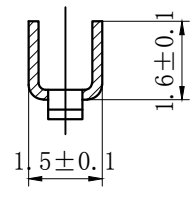
Thickness: 0.2 mm.



SECTION A-A



SECTION B-B



SECTION C-C

| Product name | Dimension mm | | | | 适用线规AWG |
|--------------|--------------|------|-----|------|---------|
| | A1 | B1 | A2 | B2 | |
| PHD-T-G | 2.3 | 2.45 | 1.5 | 1.6 | #26-22 |
| PHD-T-D | 1.9 | 1.6 | 1.4 | 1.15 | #28-24 |

| GENERAL TOLERANCES (UNLESS SPECIFIED) | | ZHE JIANG DELI CONNECTORS CO., LTD | | | |
|---------------------------------------|--------------|---|--------------|--|-----------|
| .X: ± 0.25 | X°: ± 3.0° | PRODUCT NAME: DL20004 (PHD)-T | | TITLE: 2.00 mm Pitch Crimp Terminal | |
| .XX: ± 0.2 | .X°: ± 2.0° | DR:Chen QuanLong | | DATE:21.3.31 | |
| .XXX: ± 0.01 | .XX°: ± 1.0° | DATE:21.3.31 | | PART NO: | |
| FINISH: | | CHKD:Wu Hui | DATE:21.3.31 | SCALE: N/A | PAGE: 1/1 |
| DRAWING NO: | | APPD:Ren An De | DATE:21.3.31 | UNITS: mm | REV.: A |

X-ON Electronics

Largest Supplier of Electrical and Electronic Components

Click to view similar products for [Headers & Wire Housings](#) category:

Click to view products by [DLL](#) manufacturer:

Other Similar products are found below :

[0015917161](#) [0022155065](#) [57102-F02-18ULF](#) [58102-G61-06LF](#) [582553-1](#) [01.001.5753.1](#) [0050291907](#) [02.125.8002.8](#) [609-3404](#) [61062-3](#)
[CSU011177004](#) [622-0430](#) [622-3653LF](#) [63453-116](#) [636-1030](#) [636-1427](#) [636-3427](#) [636-4007](#) [641938-9](#) [65495-038](#) [65692-001LF](#) [65781-018](#)
[65781-047](#) [65817-010LF](#) [65817-015LF](#) [67095-007LF](#) [67601157](#) [68631-112](#) [68645-018](#) [699319-000](#) [70.362.1628.0](#) [70-4210](#) [70-4226B](#) [70-](#)
[4853B](#) [71.350.2428.0](#) [733-134](#) [733-162](#) [760-3052](#) [MHR-64-VUAL](#) [80.063.4001.1](#) [800-90-001-10-001000](#) [801-43-002-10-013000](#)
[801-43-006-10-002000](#) [803-43-024-10-001000](#) [803-93-012-10-001000](#) [8-1437020-4](#) [819-22-004-30-001101](#) [820-22-006-30-001101](#)
[820-22-008-30-001101](#) [821-22-002-10-001101](#)