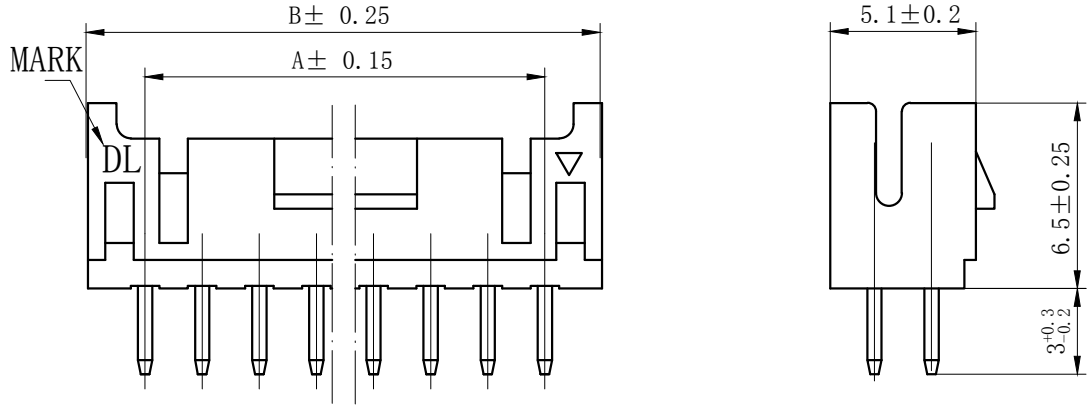


**技术特性/Specifications:**

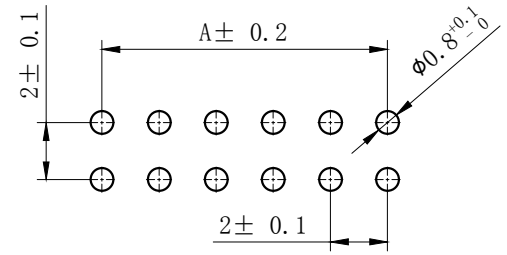
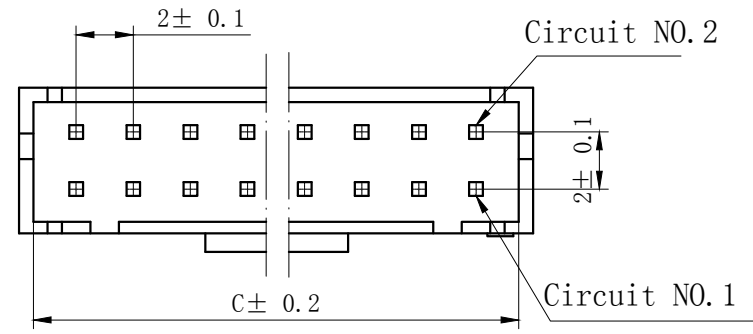
额定电压 Rated voltage: 250V AC, DC  
额定电流 Rated current: 3A AC, DC  
接触电阻 Contact resistance: 20m $\Omega$  max  
绝缘电阻 Insulation resistance: 1000M $\Omega$  min  
耐压 Withstand voltage: 800V AC/minute  
环境温度 Ambient temperature: -40 $^{\circ}$ C~+105 $^{\circ}$ C  
适用线规 Wire range: AWG#28~#22

|      |                      |      |
|------|----------------------|------|
| REV. | REVISION DESCRIPTION | DATE |
|      |                      |      |



### NOTES

Available in 04 through 60 Circuits.  
 Mates with DL20017-Y Series Housing.  
 Material : Nylon UL94V-0(2).  
 0.50mm Square Pin.  
 Pin Material : Brass / Tin-Plated.

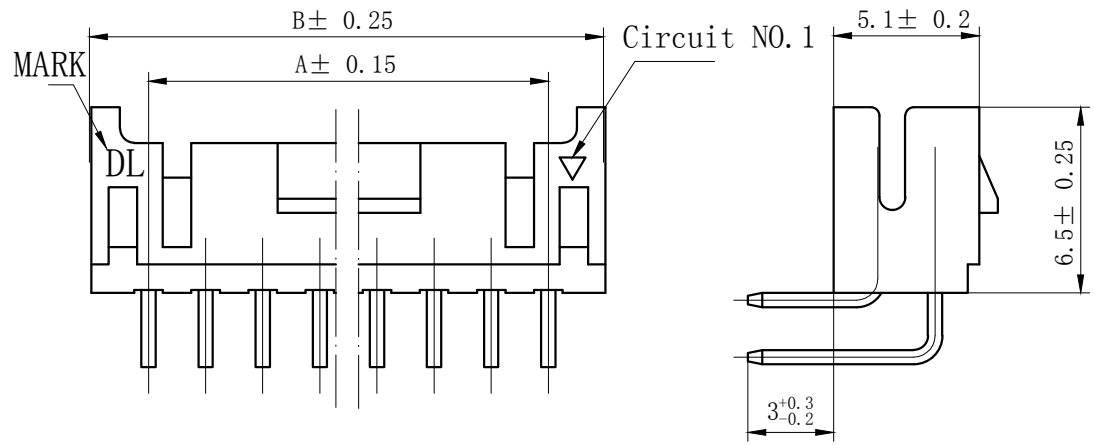


PCB LAYOUT

| Circuits | Product name | Dimension mm |       |       | Circuits | Product name | Dimension mm |       |       | Circuits | Product name | Dimension mm |       |       |
|----------|--------------|--------------|-------|-------|----------|--------------|--------------|-------|-------|----------|--------------|--------------|-------|-------|
|          |              | A            | B     | C     |          |              | A            | B     | C     |          |              | A            | B     | C     |
| 2X2      | PHDS-4A      | 2.00         | 6.00  | 5.00  | 2X10     | PHDS-20A     | 18.00        | 22.00 | 21.00 | 2X18     | PHDS-36A     | 34.00        | 38.00 | 37.00 |
| 2X3      | PHDS-6A      | 4.00         | 8.00  | 7.00  | 2X11     | PHDS-22A     | 20.00        | 24.00 | 23.00 | 2X19     | PHDS-38A     | 36.00        | 40.00 | 39.00 |
| 2X4      | PHDS-8A      | 6.00         | 10.00 | 9.00  | 2X12     | PHDS-24A     | 22.00        | 26.00 | 25.00 | 2X20     | PHDS-40A     | 38.00        | 42.00 | 41.00 |
| 2X5      | PHDS-10A     | 8.00         | 12.00 | 11.00 | 2X13     | PHDS-26A     | 24.00        | 28.00 | 27.00 | ~        | ~            | ~            | ~     | ~     |
| 2X6      | PHDS-12A     | 10.00        | 14.00 | 13.00 | 2X14     | PHDS-28A     | 26.00        | 30.00 | 29.00 | 2X30     | PHDS-60A     | 58.00        | 62.00 | 61.00 |
| 2X7      | PHDS-14A     | 12.00        | 16.00 | 15.00 | 2X15     | PHDS-30A     | 28.00        | 32.00 | 31.00 |          |              |              |       |       |
| 2X8      | PHDS-16A     | 14.00        | 18.00 | 17.00 | 2X16     | PHDS-32A     | 30.00        | 34.00 | 33.00 |          |              |              |       |       |
| 2X9      | PHDS-18A     | 16.00        | 20.00 | 19.00 | 2X17     | PHDS-34A     | 32.00        | 36.00 | 35.00 |          |              |              |       |       |

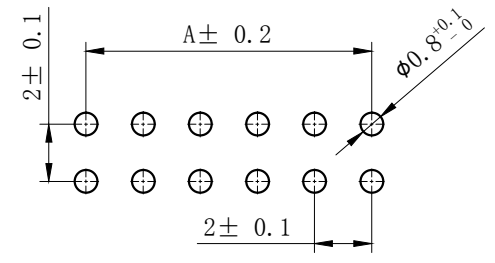
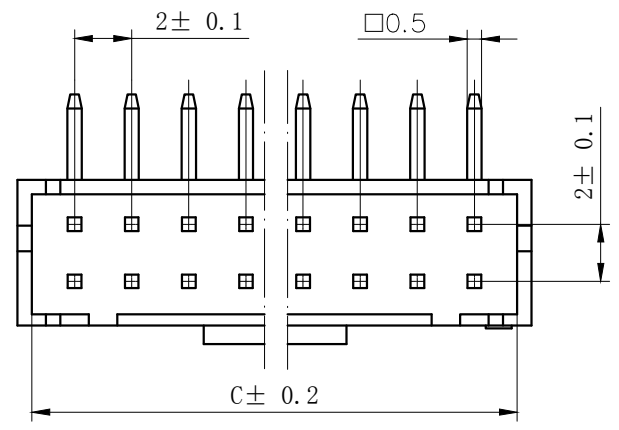
|  |              |   |   |
|--|--------------|---|---|
| GENERAL TOLERANCES<br>(UNLESS SPECIFIED) |              | ZHE JIANG DELI CONNECTORS CO., LTD      |   |
| .X: ± 0.25                               | X°: ± 3.0°   | PRODUCT NAME:<br><b>DL20017(PHDS)-A</b> | TITLE:<br>2.0 mm Pitch<br>Wire To Board Wafer |
| .XX: ± 0.15                              | .X°: ± 2.0°  | DR: Yuan JunRong                        | DATE:21/08/01                                 |
| .XXX: ± 0.01                             | .XX°: ± 1.0° | CHKD: Wu Hui                            | DATE:21/08/01                                 |
| DRAWING NO:                              |              | APPD:Ren An De                          | DATE:21/08/01                                 |
|  |              |   | PART NO:                                      |
|  |              |   | SCALE: N/A                                    |
|  |              |   | PAGE: 1/1                                     |
|  |              |   | UNITS: mm                                     |
|  |              |   | REV.: A                                       |

|      |             |      |
|------|-------------|------|
| REV. | REVISION    | DATE |
|      | DESCRIPTION |      |



### NOTES

Available in 04 through 60 Circuits.  
 Mates with DL20017-Y Series Housing.  
 Material : Nylon UL94V-0(2).  
 0.50mm Square Pin.  
 Pin Material : Brass / Tin-Plated.

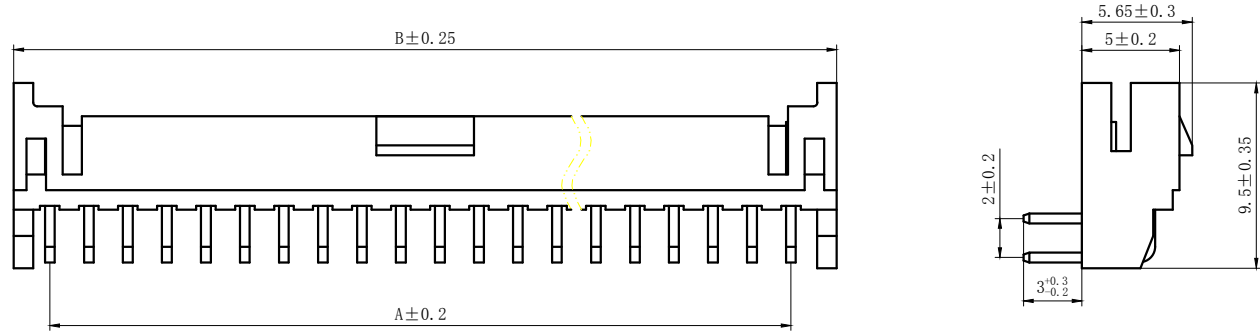


PCB LAYOUT

| Circuits | Product name | Dimension mm |       |       | Circuits | Product name | Dimension mm |       |       | Circuits | Product name | Dimension mm |       |       |
|----------|--------------|--------------|-------|-------|----------|--------------|--------------|-------|-------|----------|--------------|--------------|-------|-------|
|          |              | A            | B     | C     |          |              | A            | B     | C     |          |              | A            | B     | C     |
| 2X2      | PHDS-4AW     | 2.00         | 6.00  | 5.00  | 2X10     | PHDS-20AW    | 18.00        | 22.00 | 21.00 | 2X18     | PHDS-36AW    | 34.00        | 38.00 | 37.00 |
| 2X3      | PHDS-6AW     | 4.00         | 8.00  | 7.00  | 2X11     | PHDS-22AW    | 20.00        | 24.00 | 23.00 | 2X19     | PHDS-38AW    | 36.00        | 40.00 | 39.00 |
| 2X4      | PHDS-8AW     | 6.00         | 10.00 | 9.00  | 2X12     | PHDS-24AW    | 22.00        | 26.00 | 25.00 | 2X20     | PHDS-40AW    | 38.00        | 42.00 | 41.00 |
| 2X5      | PHDS-10AW    | 8.00         | 12.00 | 11.00 | 2X13     | PHDS-26AW    | 24.00        | 28.00 | 27.00 | ~        | ~            | ~            | ~     | ~     |
| 2X6      | PHDS-12AW    | 10.00        | 14.00 | 13.00 | 2X14     | PHDS-28AW    | 26.00        | 30.00 | 29.00 | 2X30     | PHDS-60AW    | 58.00        | 62.00 | 61.00 |
| 2X7      | PHDS-14AW    | 12.00        | 16.00 | 15.00 | 2X15     | PHDS-30AW    | 28.00        | 32.00 | 31.00 |          |              |              |       |       |
| 2X8      | PHDS-16AW    | 14.00        | 18.00 | 17.00 | 2X16     | PHDS-32AW    | 30.00        | 34.00 | 33.00 |          |              |              |       |       |
| 2X9      | PHDS-18AW    | 16.00        | 20.00 | 19.00 | 2X17     | PHDS-34AW    | 32.00        | 36.00 | 35.00 |          |              |              |       |       |

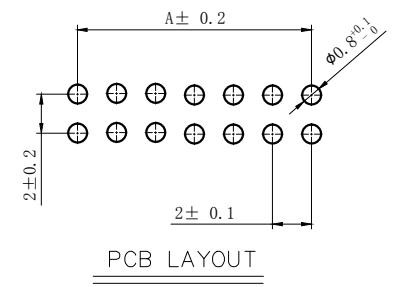
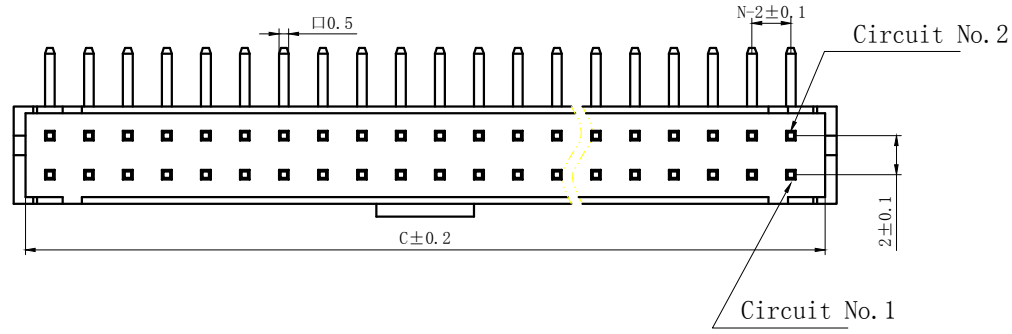
|  |              |   |   |
|--|--------------|---|---|
| GENERAL TOLERANCES<br>(UNLESS SPECIFIED) |              | ZHE JIANG DELI CONNECTORS CO., LTD        |   |
| .X: ± 0.25                               | X°: ± 3.0°   | PRODUCT NAME:<br><b>DL20017 (PHDS)-AW</b> | TITLE:<br>2.0 mm Pitch<br>Wire To Board Wafer |
| .XX: ± 0.15                              | .X°: ± 2.0°  | DR: Yuan Junrong                          | DATE:21/08/01                                 |
| .XXX: ± 0.01                             | .XX°: ± 1.0° | CHKD: Wu Hui                              | DATE:21/08/01                                 |
| FINISH:                                  |              | APPD: Ren An De                           | DATE:21/08/01                                 |
| DRAWING NO:                              |              |   |   |
|  |              | SCALE: N/A                                | PAGE: 1/1                                     |
|  |              | UNITS: mm                                 | REV.: A                                       |

|      |                      |        |      |
|------|----------------------|--------|------|
| REV. | REVISION DESCRIPTION | DATE   | APPD |
| A1   | 更新公差                 | 19.8.1 | Wu   |



### NOTES

Available in 04 through 60 Circuits.  
Mates with DL20017-Y Series Housing.  
Material : Nylon UL94V-0(2).  
0.50mm Square Pin.  
Pin Material : Brass / Tin-Plated.



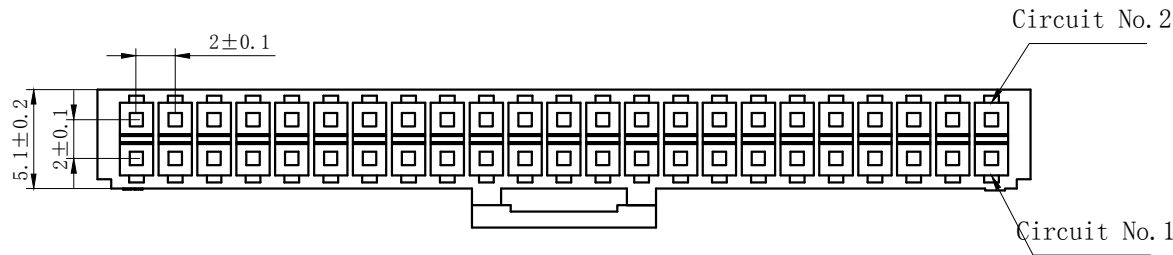
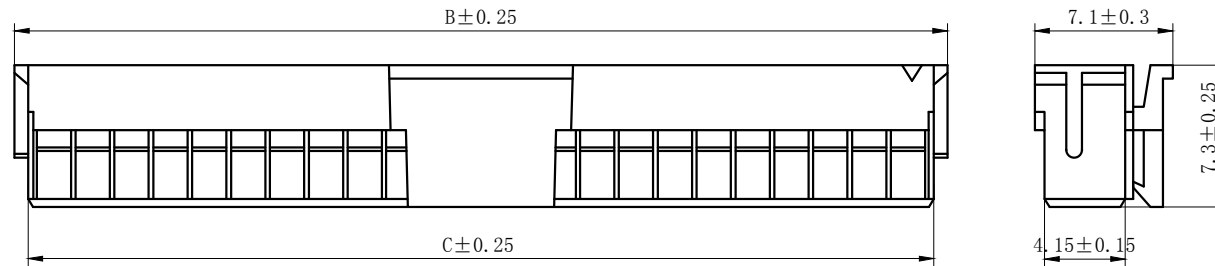
| Circuits | Product name | Dimension mm |       |       | Circuits | Product name | Dimension mm |       |       | Circuits | Product name | Dimension mm |       |       |
|----------|--------------|--------------|-------|-------|----------|--------------|--------------|-------|-------|----------|--------------|--------------|-------|-------|
|          |              | A            | B     | C     |          |              | A            | B     | C     |          |              | A            | B     | C     |
| 2X2      | PHDS-4AWD    | 2.00         | 6.00  | 5.00  | 2X10     | PHDS-20AWD   | 18.00        | 22.00 | 21.00 | 2X18     | PHDS-36AWD   | 34.00        | 38.00 | 37.00 |
| 2X3      | PHDS-6AWD    | 4.00         | 8.00  | 7.00  | 2X11     | PHDS-22AWD   | 20.00        | 24.00 | 23.00 | 2X19     | PHDS-38AWD   | 36.00        | 40.00 | 39.00 |
| 2X4      | PHDS-8AWD    | 6.00         | 10.00 | 9.00  | 2X12     | PHDS-24AWD   | 22.00        | 26.00 | 25.00 | 2X20     | PHDS-40AWD   | 38.00        | 42.00 | 41.00 |
| 2X5      | PHDS-10AWD   | 8.00         | 12.00 | 11.00 | 2X13     | PHDS-26AWD   | 24.00        | 28.00 | 27.00 | ~        | ~            | ~            | ~     | ~     |
| 2X6      | PHDS-12AWD   | 10.00        | 14.00 | 13.00 | 2X14     | PHDS-28AWD   | 26.00        | 30.00 | 29.00 | 2X30     | PHDS-60AWD   | 58.00        | 62.00 | 61.00 |
| 2X7      | PHDS-14AWD   | 12.00        | 16.00 | 15.00 | 2X15     | PHDS-30AWD   | 28.00        | 32.00 | 31.00 |          |              |              |       |       |
| 2X8      | PHDS-16AWD   | 14.00        | 18.00 | 17.00 | 2X16     | PHDS-32AWD   | 30.00        | 34.00 | 33.00 |          |              |              |       |       |
| 2X9      | PHDS-18AWD   | 16.00        | 20.00 | 19.00 | 2X17     | PHDS-34AWD   | 32.00        | 36.00 | 35.00 |          |              |              |       |       |

|  |              |  |  |
|--|--------------|--|--|
| GENERAL TOLERANCES<br>(UNLESS SPECIFIED) |              | ZHE JIANG DELI CONNECTORS CO., LTD         |  |
| .X: ± 0.25                               | X°: ± 3.0°   | PRODUCT NAME:<br><b>DL20017 (PHDS)-AWD</b> | TITLE: 2.0 mm Pitch<br>Wire To Board Wafer |
| .XX: ± 0.15                              | .X°: ± 2.0°  | DR: Yuan Junrong                           | DATE: 21/08/01                             |
| .XXX: ± 0.01                             | .XX°: ± 1.0° | CHKD: Hu Hui                               | DATE: 21/08/01                             |
| FINISH:                                  |              | APPD: Ren An De                            | DATE: 21/08/01                             |
| DRAWING NO:                              |              |  |  |
|  |              | PART NO:                                   | SCALE: N/A                                 |
|  |              |  | PAGE: 1/1                                  |
|  |              | UNITS: mm                                  | REV.: A1                                   |

|      |                      |      |      |
|------|----------------------|------|------|
| REV. | REVISION DESCRIPTION | DATE | APPD |
|      |                      |      |      |

### NOTES

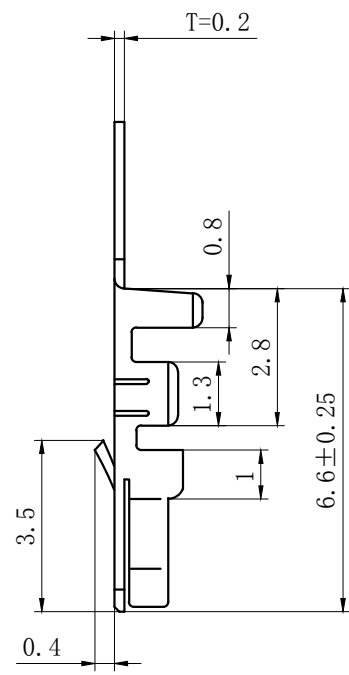
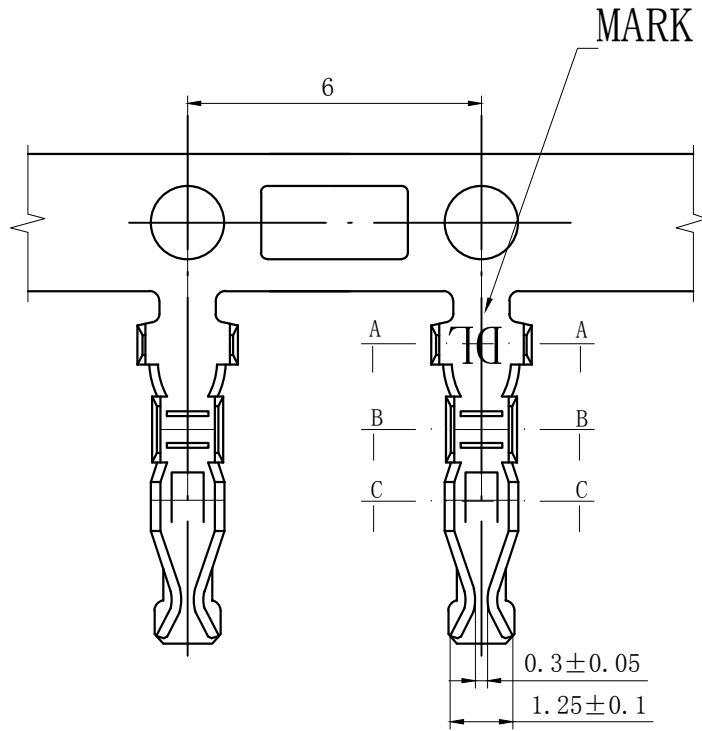
Available in 04 through 60 Circuits.  
 Mates with DL20017-A or DL20017-AW or DL20017-AWD Series WAFER.  
 Material : Nylon UL94V-0(2).  
 Accepts DL20004-T Crimp Terminal.



| Circuits | Product name | Dimension mm |       |       | Circuits | Product name | Dimension mm |       |       | Circuits | Product name | Dimension mm |       |       |
|----------|--------------|--------------|-------|-------|----------|--------------|--------------|-------|-------|----------|--------------|--------------|-------|-------|
|          |              | A            | B     | C     |          |              | A            | B     | C     |          |              | A            | B     | C     |
| 2X2      | PHDS-4Y      | 2.00         | 6.00  | 4.60  | 2X10     | PHDS-20Y     | 18.00        | 22.00 | 20.60 | 2X18     | PHDS-36Y     | 34.00        | 38.00 | 36.60 |
| 2X3      | PHDS-6Y      | 4.00         | 8.00  | 6.60  | 2X11     | PHDS-22Y     | 20.00        | 24.00 | 22.60 | 2X19     | PHDS-38Y     | 36.00        | 40.00 | 38.60 |
| 2X4      | PHDS-8Y      | 6.00         | 10.00 | 8.60  | 2X12     | PHDS-24Y     | 22.00        | 26.00 | 24.60 | 2X20     | PHDS-40Y     | 38.00        | 42.00 | 40.60 |
| 2X5      | PHDS-10Y     | 8.00         | 12.00 | 10.60 | 2X13     | PHDS-26Y     | 24.00        | 28.00 | 26.60 | 2X21     | PHDS-42Y     | 40.00        | 44.00 | 42.60 |
| 2X6      | PHDS-12Y     | 10.00        | 14.00 | 12.60 | 2X14     | PHDS-28Y     | 26.00        | 30.00 | 28.60 | 2X22     | PHDS-44Y     | 42.00        | 46.00 | 44.60 |
| 2X7      | PHDS-14Y     | 12.00        | 16.00 | 14.60 | 2X15     | PHDS-30Y     | 28.00        | 32.00 | 30.60 | ~        | ~            | ~            | ~     | ~     |
| 2X8      | PHDS-16Y     | 14.00        | 18.00 | 16.60 | 2X16     | PHDS-32Y     | 30.00        | 34.00 | 32.60 | 2X30     | PHDS-60Y     | 58.00        | 62.00 | 60.60 |
| 2X9      | PHDS-18Y     | 16.00        | 20.00 | 18.60 | 2X17     | PHDS-34Y     | 32.00        | 36.00 | 34.60 |          |              |              |       |       |

|  |               |  |               |
|--|---------------|--|---------------|
| GENERAL TOLERANCES<br>(UNLESS SPECIFIED) |               | ZHE JIANG DELI CONNECTORS CO., LTD         |               |
| .X: ± 0.25                               | X° : ± 3.0°   | PRODUCT NAME:<br><b>DL20017 (PHDS)-Y</b>   |               |
| .XX: ± 0.15                              | .X° : ± 2.0°  | TITLE: 2.0 mm Pitch<br>Wire To Board Wafer |               |
| .XXX: ± 0.01                             | .XX° : ± 1.0° | DR: Yuan Junrong                           | DATE:21/08/01 |
| FINISH:                                  |               | CHKD: Wu Hui                               | DATE:21/08/01 |
| DRAWING NO:                              |               | APPD:Ren An De                             | DATE:21/08/01 |
|  |               | SCALE: N/A                                 | PAGE: 1/1     |
|  |               | UNITS: mm                                  | REV. : A      |

| REV. | REVISION DESCRIPTION | DATE | APPD |
|------|----------------------|------|------|
| B    |                      |      |      |
| C    |                      |      |      |



### NOTES

Used in DL20004-Y or DL20016-Y or DL20017-Y Series Housing.

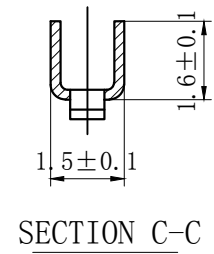
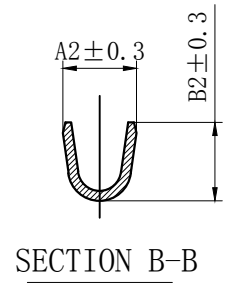
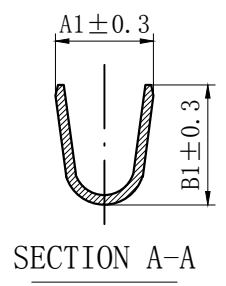
Accepts AWG #28~22 Wire Range.

0.08~ 0.33 mm<sup>2</sup> .  
Insulation O.D.=0.9~1.5 mm.

Material : Phosphor Bronze .

Finish: Tin plated.

Thickness: 0.2 mm.



| Product name | Dimension mm |      |     |      | 适用线规AWG |
|--------------|--------------|------|-----|------|---------|
|              | A1           | B1   | A2  | B2   |         |
| PHD-T-G      | 2.3          | 2.45 | 1.5 | 1.6  | #26-22  |
| PHD-T-D      | 1.9          | 1.6  | 1.4 | 1.15 | #28-24  |

| GENERAL TOLERANCES (UNLESS SPECIFIED) |              | ZHE JIANG DELI CONNECTORS CO., LTD      |              |   |           |
|---------------------------------------|--------------|---|--------------|---|-----------|
| .X: ± 0.25                            | X°: ± 3.0°   | PRODUCT NAME:<br><b>DL20004 (PHD)-T</b> |              | TITLE:<br>2.00 mm Pitch<br>Crimp Terminal |           |
| .XX: ± 0.2                            | .X°: ± 2.0°  | DR:Chen QuanLong                        |              | DATE:21.3.31                              |           |
| .XXX: ± 0.01                          | .XX°: ± 1.0° | DATE:21.3.31                            |              | PART NO:                                  |           |
| FINISH:                               |              | CHKD:Wu Hui                             | DATE:21.3.31 | SCALE: N/A                                | PAGE: 1/1 |
| DRAWING NO:                           |              | APPD:Ren An De                          | DATE:21.3.31 | UNITS: mm                                 | REV.: A   |

## X-ON Electronics

Largest Supplier of Electrical and Electronic Components

*Click to view similar products for [Headers & Wire Housings](#) category:*

*Click to view products by [DLL](#) manufacturer:*

Other Similar products are found below :

[0015917161](#) [0022155065](#) [57102-F02-18ULF](#) [58102-G61-06LF](#) [582553-1](#) [01.001.5753.1](#) [0050291907](#) [02.125.8002.8](#) [609-3404](#) [61062-3](#)  
[CSU011177004](#) [622-0430](#) [622-3653LF](#) [63453-116](#) [636-1030](#) [636-1427](#) [636-3427](#) [636-4007](#) [641938-9](#) [65495-038](#) [65692-001LF](#) [65781-018](#)  
[65781-047](#) [65817-010LF](#) [65817-015LF](#) [67095-007LF](#) [67601157](#) [68631-112](#) [68645-018](#) [699319-000](#) [70.362.1628.0](#) [70-4210](#) [70-4226B](#) [70-](#)  
[4853B](#) [71.350.2428.0](#) [733-134](#) [733-162](#) [760-3052](#) [MHR-64-VUAL](#) [80.063.4001.1](#) [800-90-001-10-001000](#) [801-43-002-10-013000](#)  
[801-43-006-10-002000](#) [803-43-024-10-001000](#) [803-93-012-10-001000](#) [8-1437020-4](#) [819-22-004-30-001101](#) [820-22-006-30-001101](#)  
[820-22-008-30-001101](#) [821-22-002-10-001101](#)