

技术特性/Specifications:

额定电压 Rated voltage: 500V AC, DC
额定电流 Rated current: 3A AC, DC
接触电阻 Contact resistance: 20m Ω max
绝缘电阻 Insulation resistance: 100M Ω min
耐压 Withstand voltage: 1000V AC/minute
环境温度 Ambient temperature: -40 $^{\circ}$ C~+105 $^{\circ}$ C
适用线规 Wire range: AWG#26~#24

REV.	REVISION DESCRIPTION	DATE	APPD

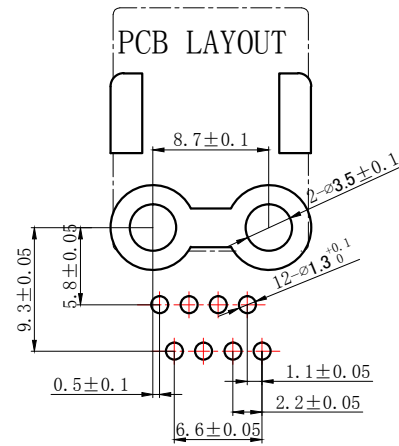
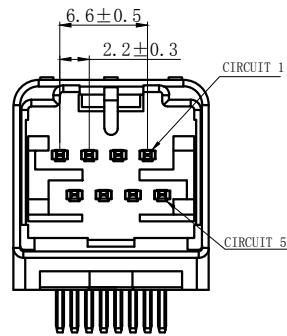
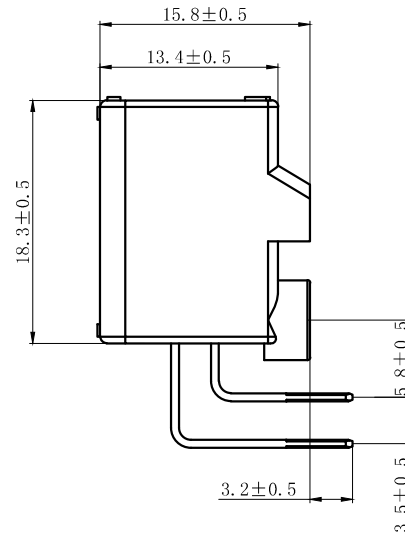
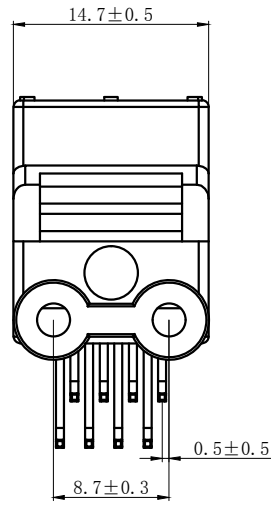
NOTES

Available in 8 Circuits.

Match with DL22002-Y series housing.

Material : PBT UL94-V0.

Pin Material : Brass .



GENERAL TOLERANCES (UNLESS SPECIFIED)		ZHE JIANG DELI CONNECTORS CO., LTD	
.X: ± 0.25	X° : ± 3.0°	PRODUCT NAME:	TITLE:
.XX: ± 0.15	.X° : ± 2.0°	DL22002(QB)-8AW	2.20 mm Pitch Housing
.XXX: ± 0.01	.XX° : ± 1.0°	DR: Chen Quan Long	DATE: 22/08/01
FINISH:		CHKD: Wu Hui	DATE: 22/08/01
DRAWING NO:		APPD: Ren An De	DATE: 22/08/01
			PART NO:
			SCALE: N/A
			PAGE: 1/1
			UNITS: mm
			REV.: A

REV.	REVISION DESCRIPTION	DATE	APPD

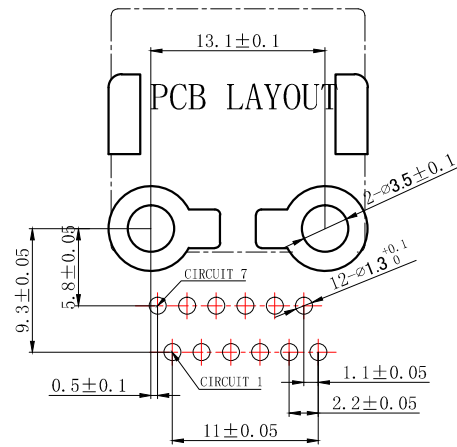
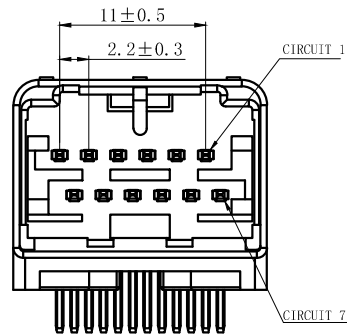
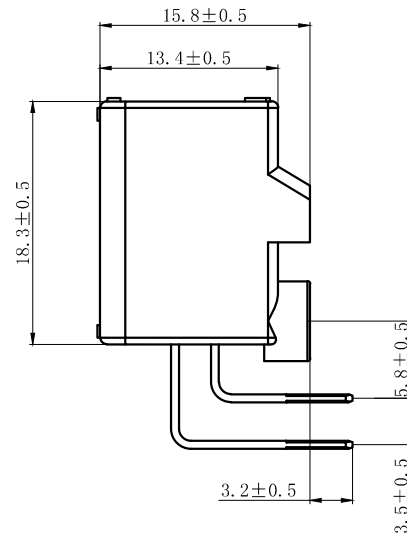
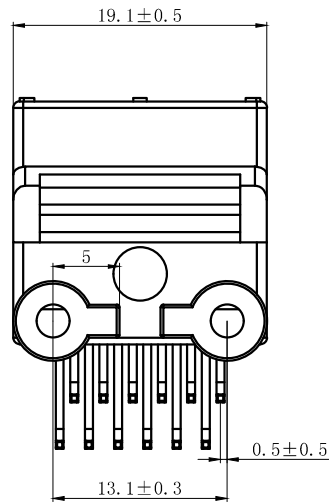
NOTES

Available in 12 Circuits.

Match with DL22002-Y series housing.

Material : PBT UL94-V0.

Pin Material : Brass .



GENERAL TOLERANCES (UNLESS SPECIFIED)		ZHE JIANG DELI CONNECTORS CO., LTD	
.X: ± 0.25	X°: ± 3.0°	PRODUCT NAME:	TITLE:
.XX: ± 0.15	.X°: ± 2.0°	DL22002(QB)-12AW	2.20 mm Pitch Housing
.XXX: ± 0.01	.XX°: ± 1.0°	DR: Chen Quan Long	DATE: 22/08/01
FINISH:		CHKD: Wu Hui	DATE: 22/08/01
DRAWING NO:		APPD: Ren An De	DATE: 22/08/01
		SCALE: N/A	PAGE: 1/1
		UNITS: mm	REV.: A

REV.	REVISION DESCRIPTION	DATE	APPD

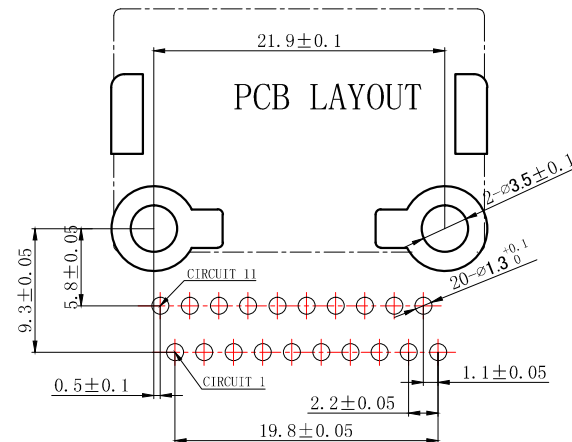
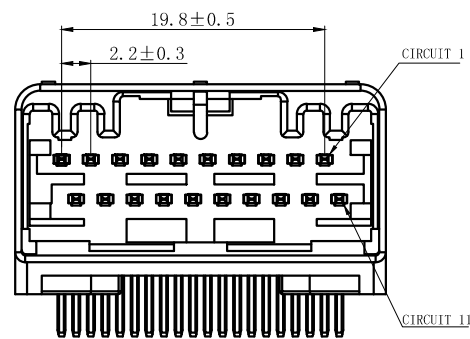
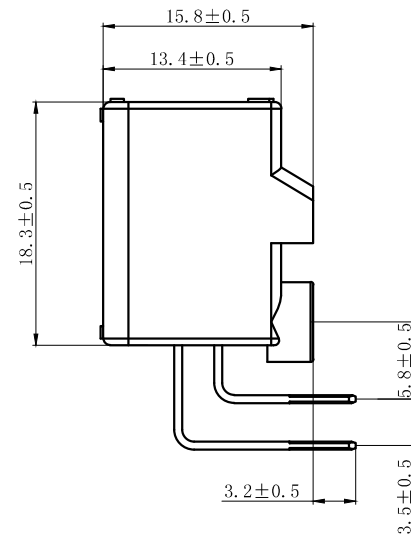
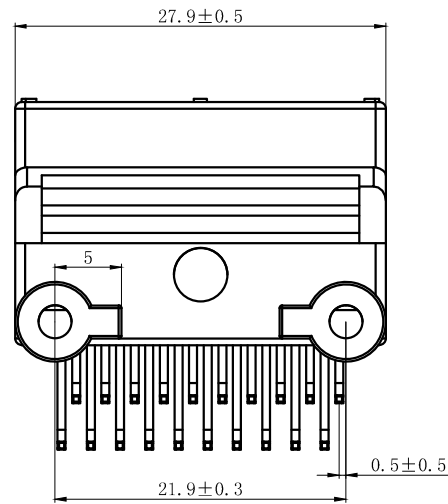
NOTES

Available in 20 Circuits.

Match with DL22002-Y series housing.

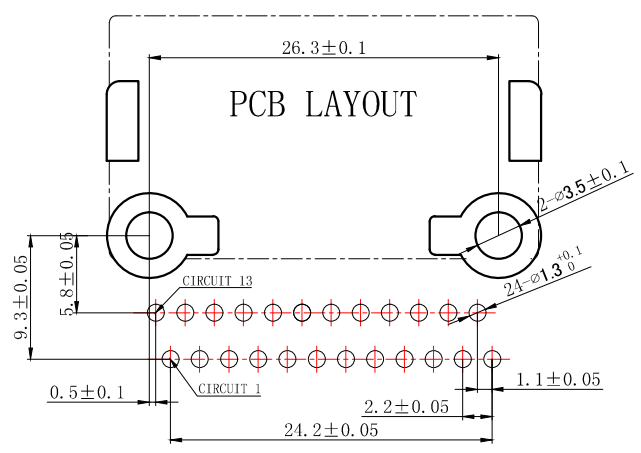
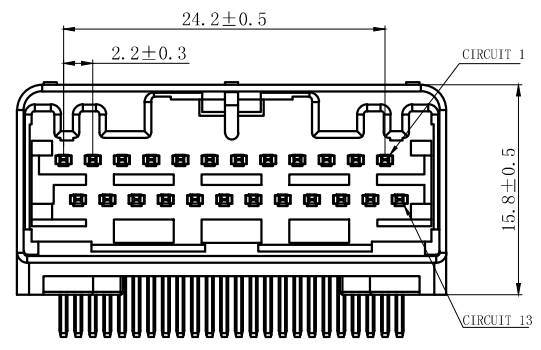
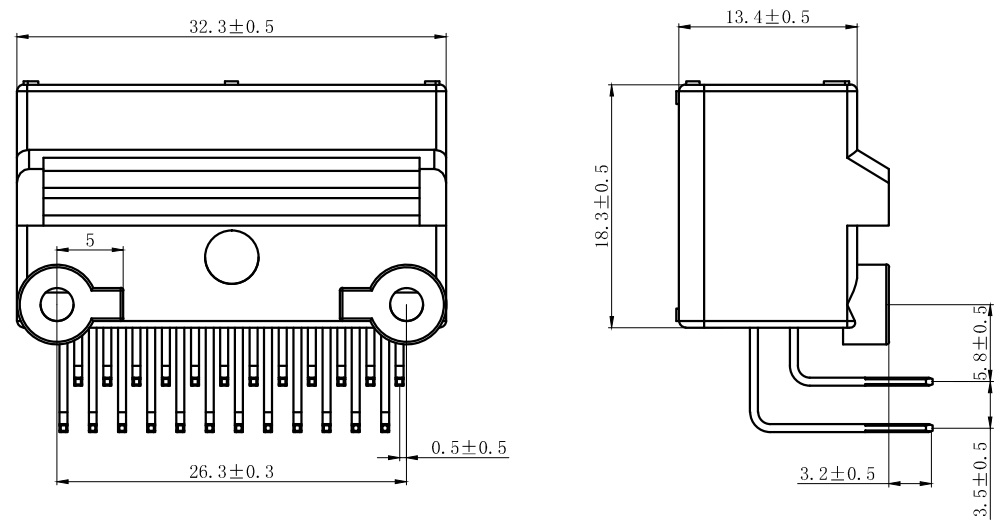
Material : PBT UL94-V0.

Pin Material : Brass .



GENERAL TOLERANCES (UNLESS SPECIFIED)		ZHE JIANG DELI CONNECTORS CO., LTD	
.X: ± 0.25	X° : ± 3.0°	PRODUCT NAME:	TITLE:
.XX: ± 0.15	.X° : ± 2.0°	DL22002(QB)-20AW	2.20 mm Pitch Housing
.XXX: ± 0.01	.XX° : ± 1.0°	DR: Chen Quan Long	DATE: 22/08/01
FINISH:		CHKD: Wu Hui	DATE: 22/08/01
DRAWING NO:		APPD: Ren An De	DATE: 22/08/01
		SCALE: N/A	PAGE: 1/1
		UNITS: mm	REV. : A

REV.	REVISION DESCRIPTION	DATE	APPD



NOTES

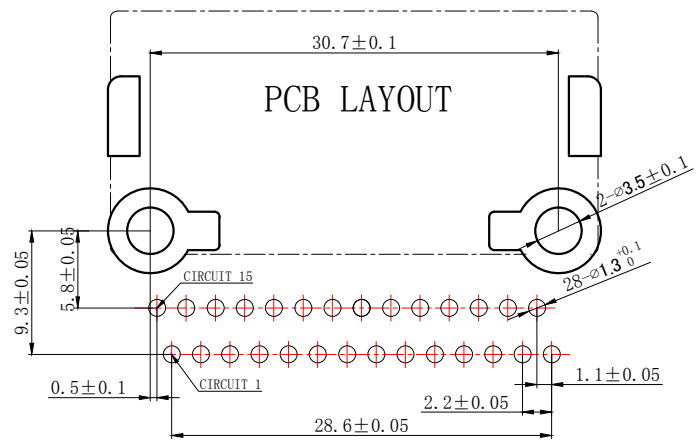
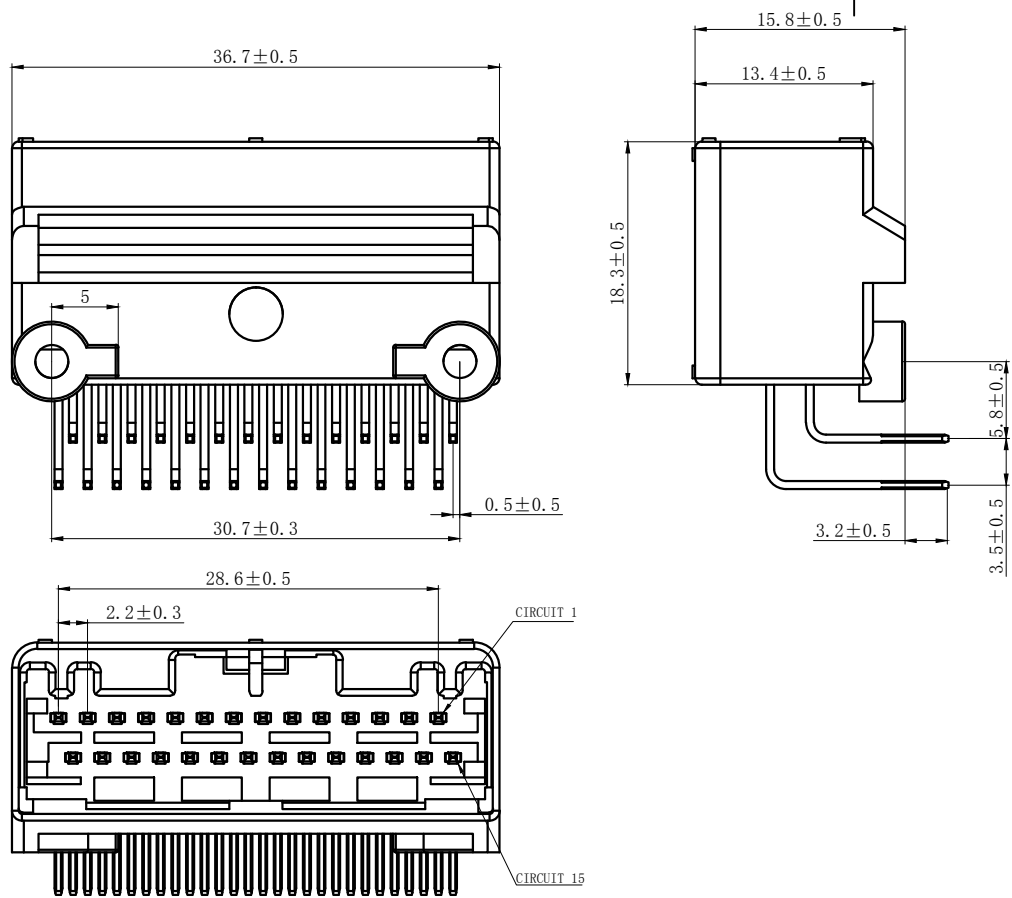
Available in 24 Circuits.
 Match with DL22002-Y series housing.
 Material : PBT UL94-V0.
 Pin Material : Brass .

GENERAL TOLERANCES (UNLESS SPECIFIED)		ZHE JIANG DELI CONNECTORS CO., LTD	
.X: ± 0.25	X°: ± 3.0°	PRODUCT NAME:	TITLE:
.XX: ± 0.15	.X°: ± 2.0°	DL22002(QB)-24AW	2.20 mm Pitch Housing
.XXX: ± 0.01	.XX°: ± 1.0°	DR: Chen Quan Long	DATE: 22/08/01
FINISH:		CHKD: Wu Hui	DATE: 22/08/01
DRAWING NO:		APPD: Ren An De	DATE: 22/08/01
		SCALE: N/A	PAGE: 1/1
		UNITS: mm	REV.: A

REV.	REVISION DESCRIPTION	DATE	APPD

NOTES

Available in 28 Circuits.
 Match with DL22002-Y series housing.
 Material : PBT UL94-V0.
 Pin Material : Brass .

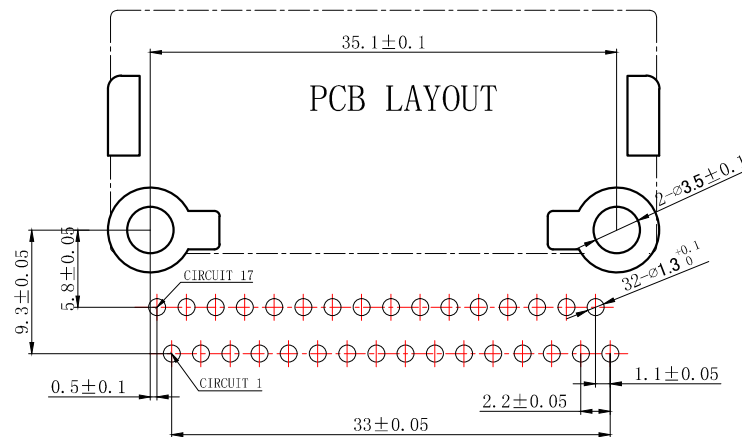
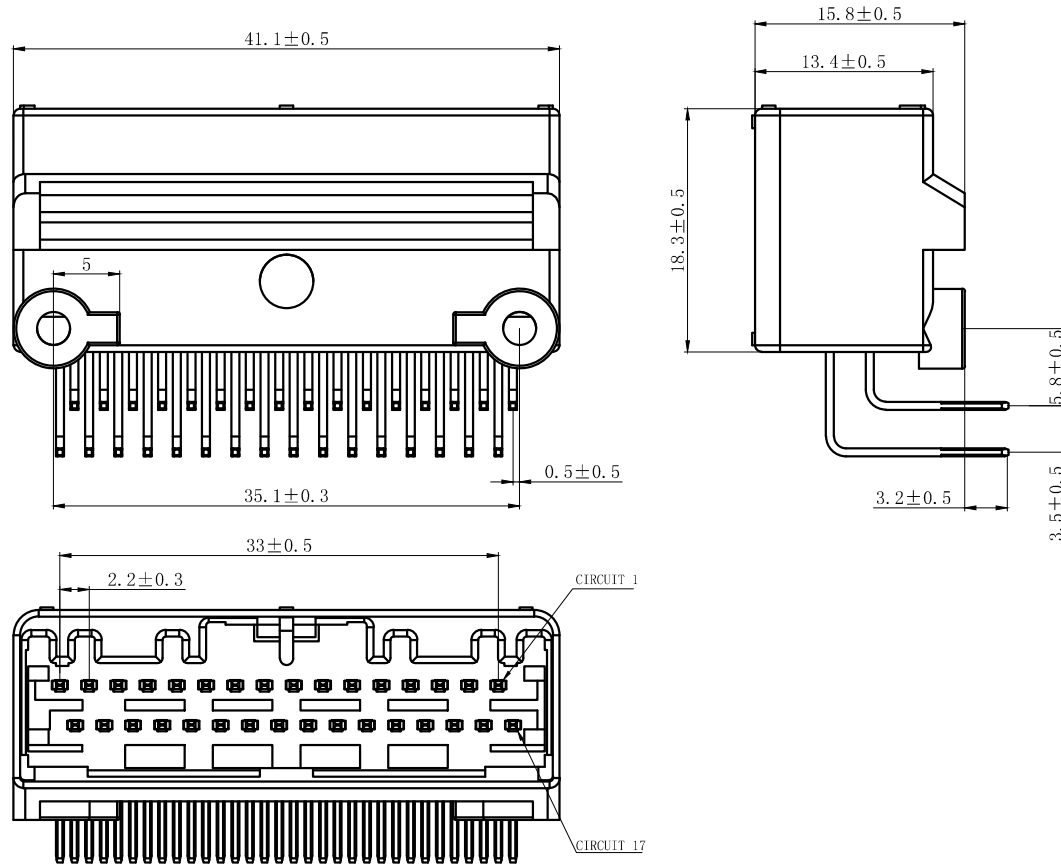


GENERAL TOLERANCES (UNLESS SPECIFIED)		ZHE JIANG DELI CONNECTORS CO., LTD	
.X: ± 0.25	X°: $\pm 3.0^\circ$	PRODUCT NAME: DL22002(QB)-28AW	TITLE: 2.20 mm Pitch Housing
.XX: ± 0.15	.X°: $\pm 2.0^\circ$	DR: Chen Quan Long	DATE: 22/08/01
.XXX: ± 0.01	.XX°: $\pm 1.0^\circ$	CHKD: Wu Hui	DATE: 22/08/01
FINISH: _____		APPD: Ren An De	DATE: 22/08/01
DRAWING NO: _____		UNITS: mm	PAGE: 1/1
		REV.: A	

REV.	REVISION DESCRIPTION	DATE	APPD

NOTES

Available in 32 Circuits.
 Match with DL22002-Y series housing.
 Material : PBT UL94-V0.
 Pin Material : Brass .

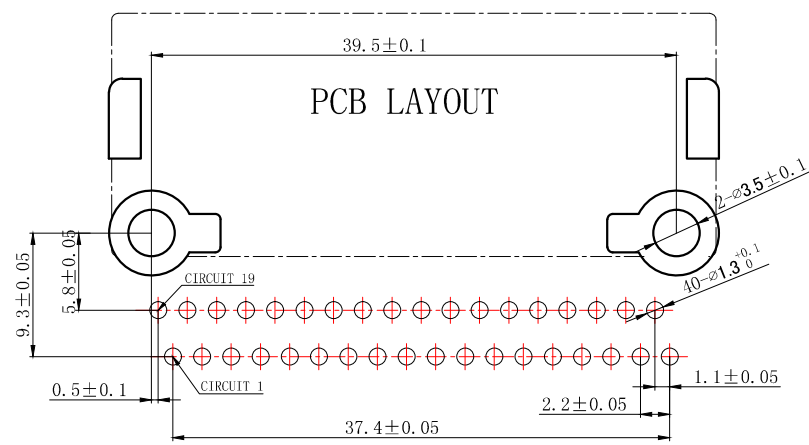
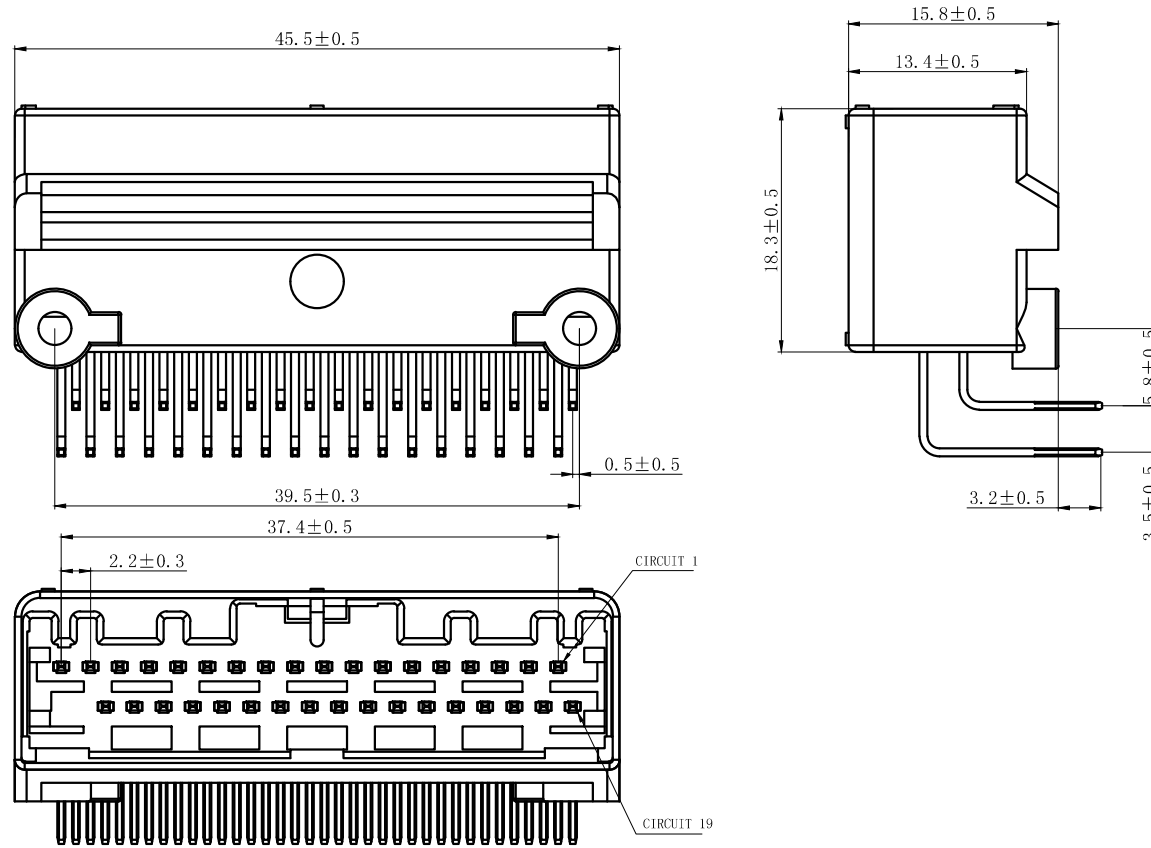


GENERAL TOLERANCES (UNLESS SPECIFIED)		ZHE JIANG DELI CONNECTORS CO., LTD	
.X: ± 0.25	X°: $\pm 3.0^\circ$	PRODUCT NAME:	TITLE:
.XX: ± 0.15	.X°: $\pm 2.0^\circ$	DL22002(QB)-32AW	2.20 mm Pitch Housing
.XXX: ± 0.01	.XX°: $\pm 1.0^\circ$	DR: Chen Quan Long	DATE: 22/08/01
FINISH:		CHKD: Wu Hui	DATE: 22/08/01
DRAWING NO:		APPD: Ren An De	DATE: 22/08/01
		SCALE: N/A	PAGE: 1/1
		UNITS: mm	REV.: A

REV.	REVISION DESCRIPTION	DATE	APPD

NOTES

Available in 36 Circuits.
 Match with DL22002-Y series housing.
 Material : PBT UL94-V0.
 Pin Material : Brass .

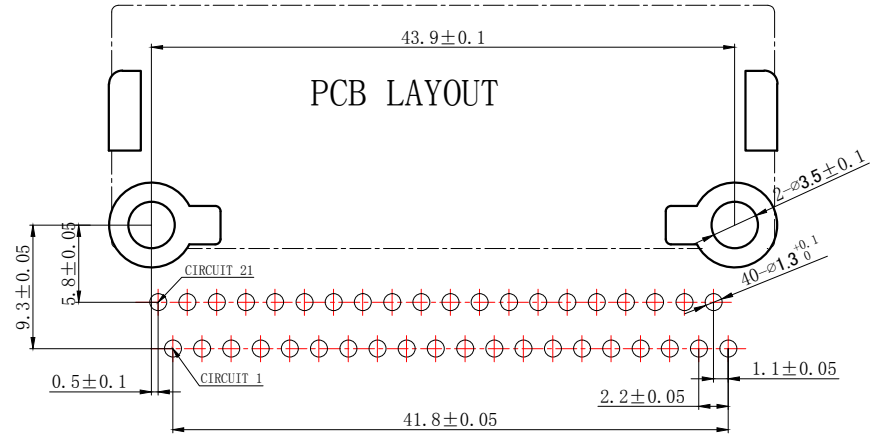
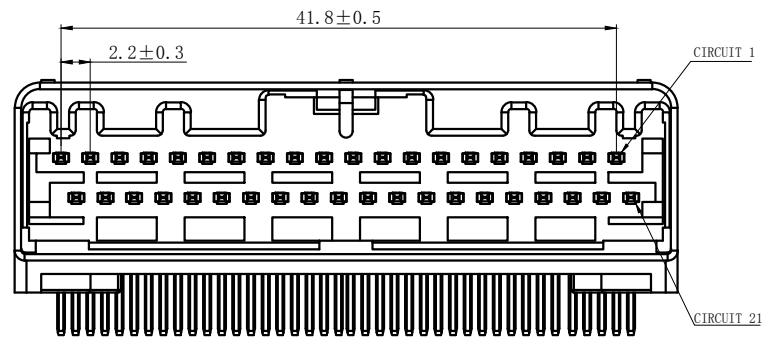
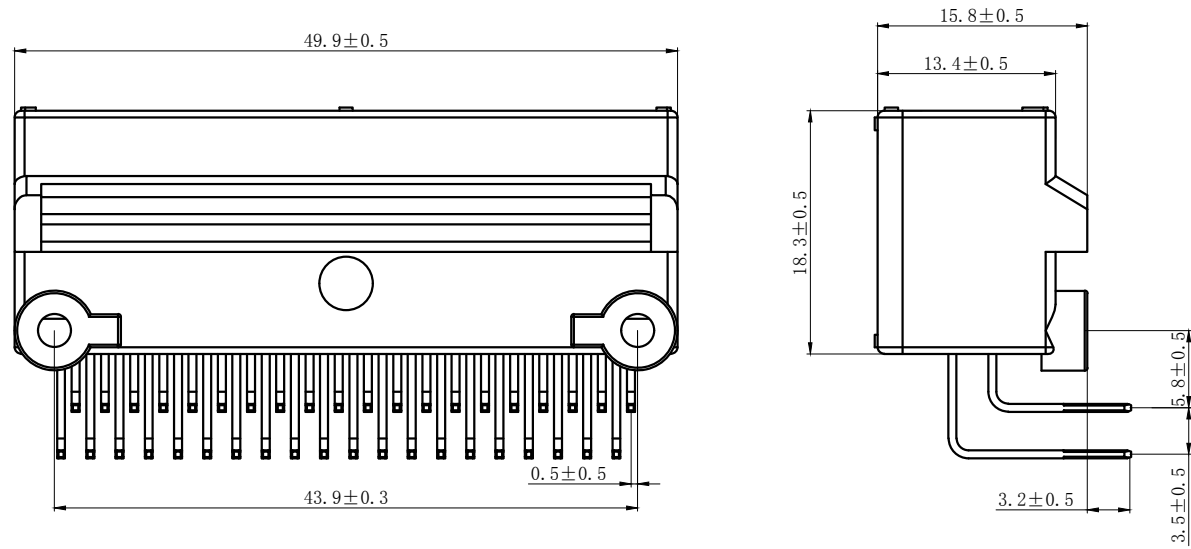


GENERAL TOLERANCES (UNLESS SPECIFIED)		ZHE JIANG DELI CONNECTORS CO., LTD	
.X: ± 0.25	X° : ± 3.0°	PRODUCT NAME:	TITLE:
.XX: ± 0.15	.X° : ± 2.0°	DL22002(QB)-36AW	2.20 mm Pitch Housing
.XXX: ± 0.01	.XX° : ± 1.0°	DR:Chen Quan Long	DATE:22/08/01
FINISH:		CHKD: Wu Hui	DATE:22/08/01
DRAWING NO:		APPD:Ren An De	DATE:22/08/01
		SCALE: N/A	PAGE: 1/1
		UNITS: mm	REV. : A

REV.	REVISION DESCRIPTION	DATE	APPD

NOTES

Available in 40 Circuits.
 Match with DL22002-Y series housing.
 Material : PBT UL94-V0.
 Pin Material : Brass .



GENERAL TOLERANCES (UNLESS SPECIFIED)		ZHE JIANG DELI CONNECTORS CO., LTD	
.X: ± 0.25	X° : ± 3.0°	PRODUCT NAME:	TITLE:
.XX: ± 0.15	.X° : ± 2.0°	DL22002 (QB) -40AW	2.20 mm Pitch Housing
.XXX: ± 0.01	.XX° : ± 1.0°	DR:Chen Quan Long	DATE:22/08/01
FINISH:		CHKD: Wu Hui	DATE:22/08/01
DRAWING NO:		APPD:Ren An De	DATE:22/08/01
		SCALE: N/A	PAGE: 1/1
		UNITS: mm	REV. : A

REV.	REVISION DESCRIPTION	DATE	APPD

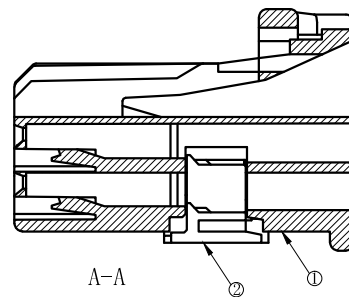
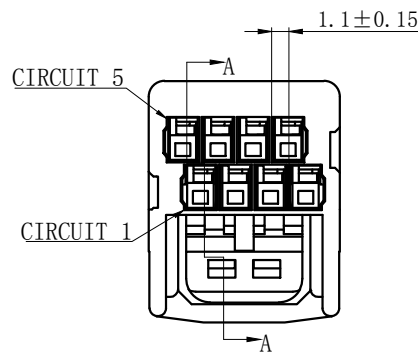
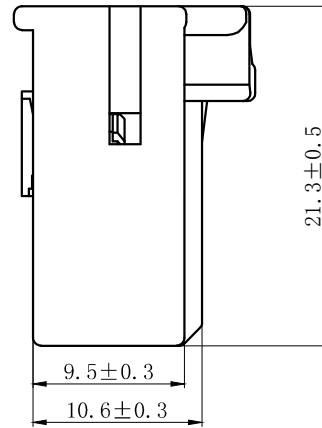
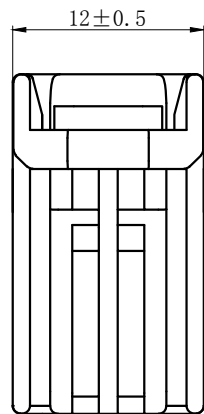
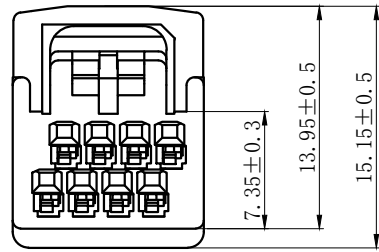
NOTES

Available in 8 Circuits.

Match with DL22002 series housing.

Material : PBT UL94-V0.

Accepts DL22002-T Crimp Terminal.



GENERAL TOLERANCES (UNLESS SPECIFIED)		ZHE JIANG DELI CONNECTORS CO., LTD	
.X: ± 0.25	X° : ± 3.0°	PRODUCT NAME: DL22002 (QB) -8Y	TITLE:
.XX: ± 0.15	.X° : ± 2.0°	DR: Chen Quan Long	DATE: 23/08/01
.XXX: ± 0.01	.XX° : ± 1.0°	CHKD: Wu Hui	DATE: 23/08/01
FINISH:		APPD: Ren An De	DATE: 23/08/01
DRAWING NO:		PART NO: DL22002-8Y-XXX-XX	
		SCALE: N/A	PAGE: 1/1
		UNITS: mm	REV. : A

1 2 3 4 5 6 7 8

REV.	REVISION DESCRIPTION	DATE	APPD

A

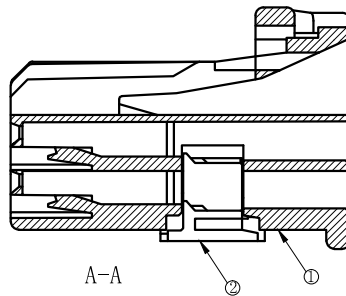
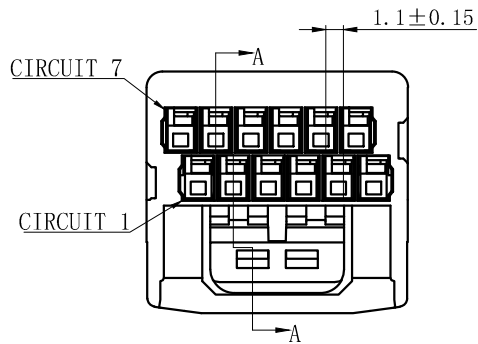
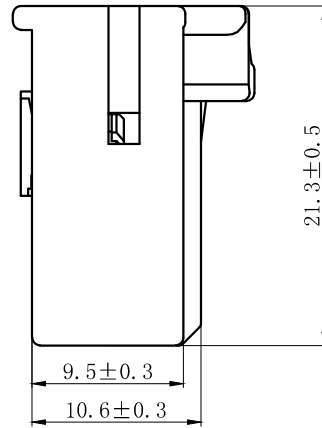
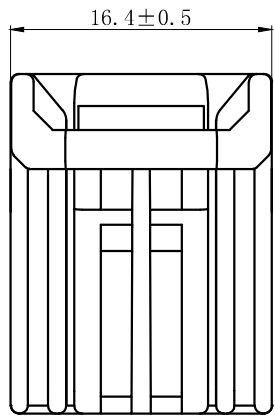
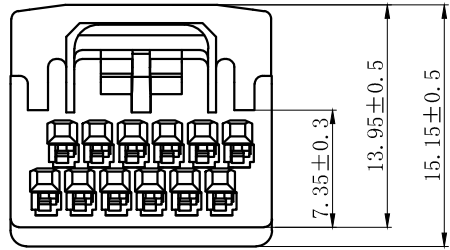
B

C

D

E

F



NOTES

Available in 12 Circuits.
 Match with DL22002 series housing.
 Material : PBT UL94-V0.
 Accepts DL22002-T Crimp Terminal.

2	②	护圈	PBT	1
1	①	基座	PBT	1
序号	图号	名称	材料	数量

GENERAL TOLERANCES (UNLESS SPECIFIED)		ZHE JIANG DELI CONNECTORS CO., LTD		
.X: ± 0.25	X°: ± 3.0°	PRODUCT NAME: DL22002(QB)-12Y	TITLE: 2.00 mm Pitch Housing	
.XX: ± 0.15	.X°: ± 2.0°	DR: Chen Quan Long	DATE: 23/08/01	
.XXX: ± 0.01	.XX°: ± 1.0°	CHKD: Wu Hui	DATE: 23/08/01	
FINISH:		APPD: Ren An De	DATE: 23/08/01	PART NO:
DRAWING NO:			SCALE: N/A	PAGE: 1/1
			UNITS: mm	REV.: A

1 2 3 4 5 6 7 8

1 2 3 4 5 6 7 8

REV.	REVISION DESCRIPTION	DATE	APPD

NOTES

Available in 16 Circuits.
 Match with DL22002 series housing.
 Material : PBT UL94-V0.
 Accepts DL22002-T Crimp Terminal.

A

B

C

D

E

F

A

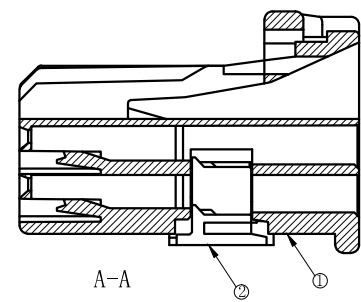
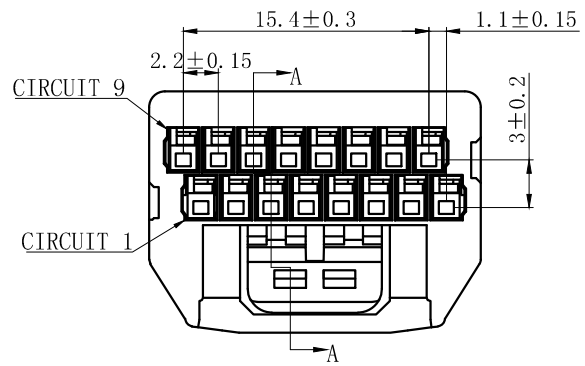
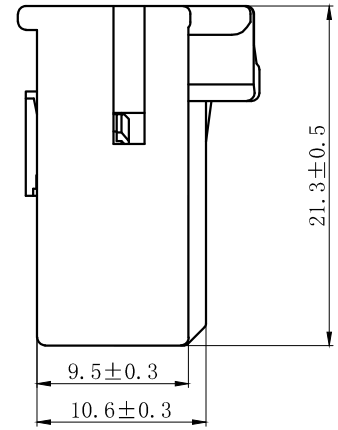
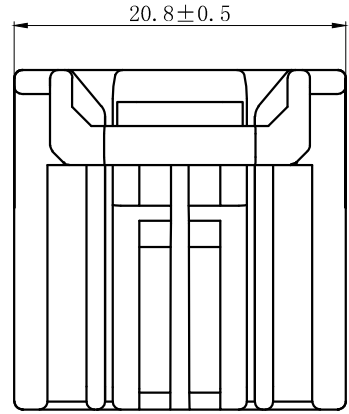
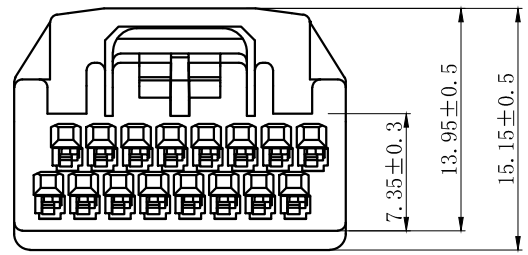
B

C

D

E

F



2	②	护圈	PBT	1
1	①	基座	PBT	1
序号	图号	名称	材料	数量

GENERAL TOLERANCES (UNLESS SPECIFIED)		ZHE JIANG DELI CONNECTORS CO., LTD		
.X: ± 0.25	X°: ± 3.0°	PRODUCT NAME: DL22002(QB)-16Y	TITLE: 2.00 mm Pitch Housing	
.XX: ± 0.15	.X°: ± 2.0°	DR: Chen Quan Long	DATE: 23/08/01	PART NO: DL22002-16Y-XXX-XX
.XXX: ± 0.01	.XX°: ± 1.0°	CHKD: Wu Hui	DATE: 23/08/01	SCALE: N/A
FINISH:		APPD: Ren An De	DATE: 23/08/01	PAGE: 1/1
DRAWING NO: GC-DL22002-16Y-XXX-XX				UNITS: mm
				REV.: A

1 2 3 4 5 6 7 8

REV.	REVISION DESCRIPTION	DATE	APPD

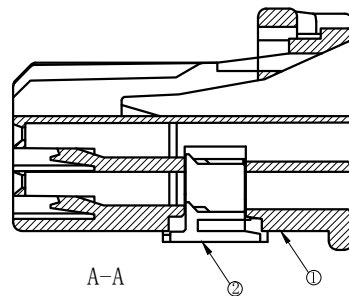
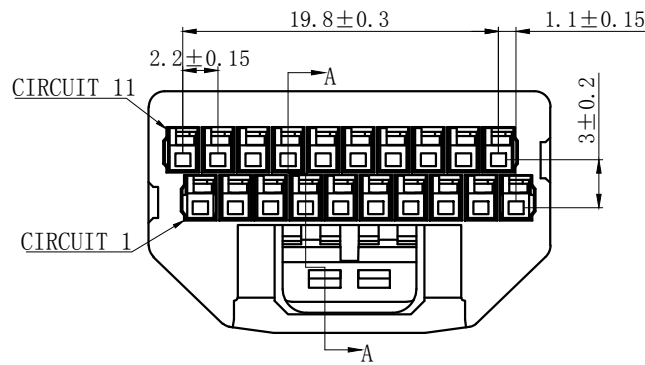
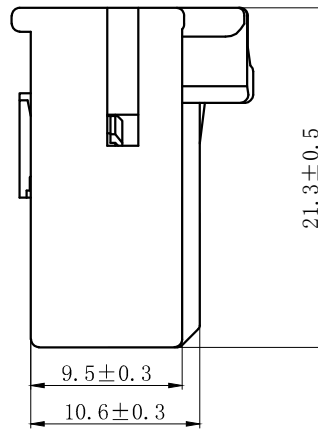
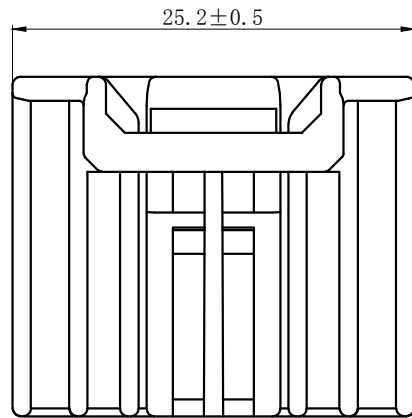
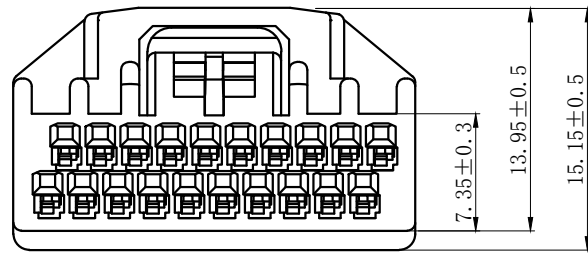
NOTES

Available in 20 Circuits.

Match with DL22002 series housing.

Material : PBT UL94-V0.

Accepts DL22002-T Crimp Terminal.



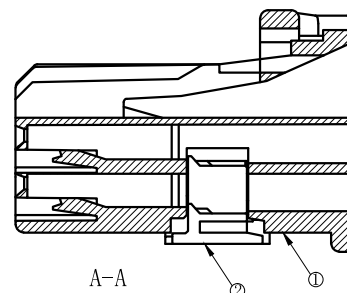
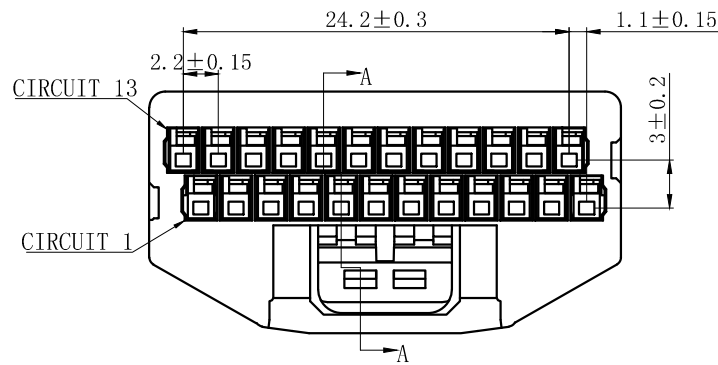
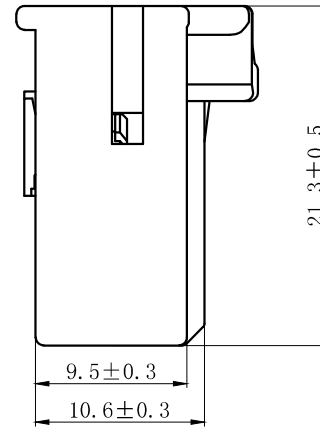
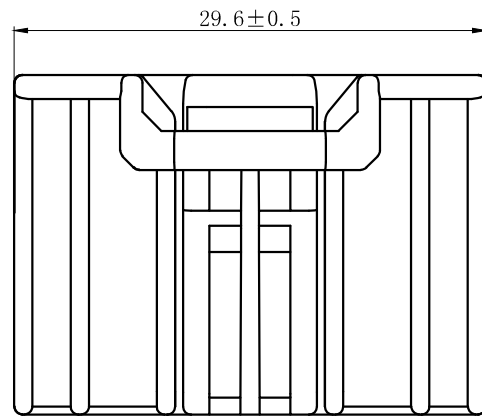
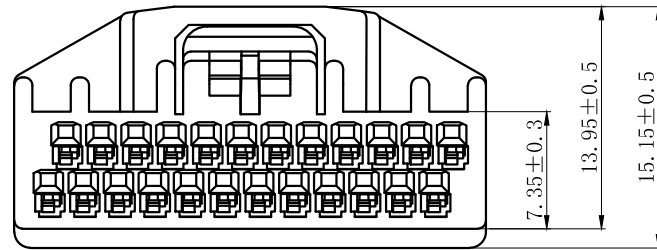
2	②	护圈	PBT	1
1	①	基座	PBT	1
序号	图号	名称	材料	数量

GENERAL TOLERANCES (UNLESS SPECIFIED)		ZHE JIANG DELI CONNECTORS CO., LTD	
.X: ± 0.25	X°: ± 3.0°	PRODUCT NAME: DL22002(QB)-20Y	TITLE: 2.00 mm Pitch Housing
.XX: ± 0.15	.X°: ± 2.0°	DR: Chen Quan Long	DATE: 23/08/01
.XXX: ± 0.01	.XX°: ± 1.0°	CHKD: Wu Hui	DATE: 23/08/01
FINISH:		APPD: Ren An De	DATE: 23/08/01
DRAWING NO:			
		PART NO:	SCALE: N/A
		UNITS: mm	PAGE: 1/1
		REV.: A	

REV.	REVISION DESCRIPTION	DATE	APPD

NOTES

Available in 24 Circuits.
 Match with DL22002 series housing.
 Material : PBT UL94-V0.
 Accepts DL22002-T Crimp Terminal.



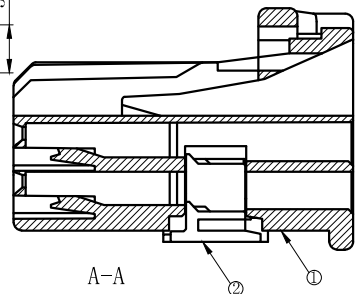
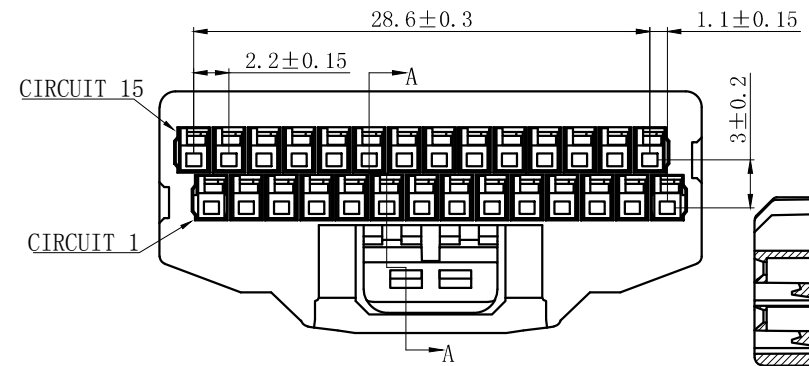
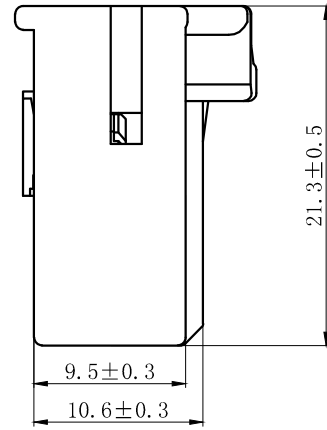
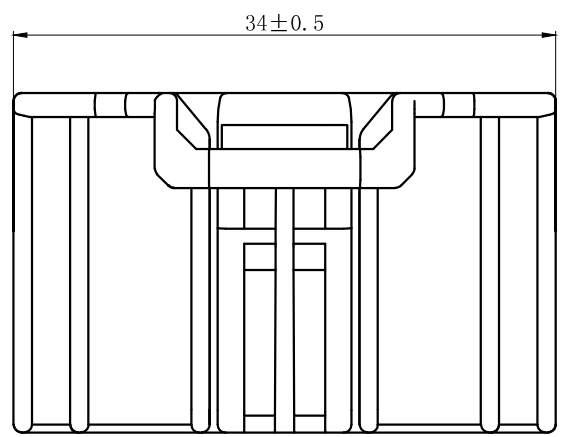
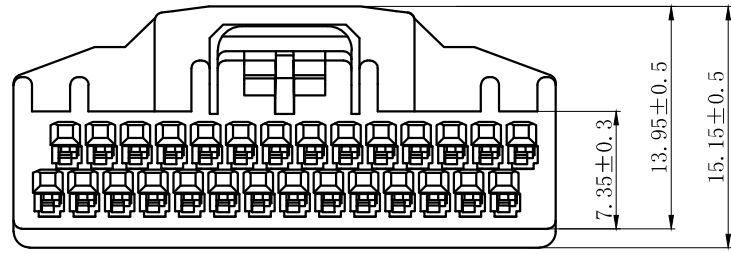
2	②	护圈	PBT	1
1	①	基座	PBT	1
序号	图号	名称	材料	数量

GENERAL TOLERANCES (UNLESS SPECIFIED)		ZHE JIANG DELI CONNECTORS CO., LTD		
.X: ± 0.25	X°: ± 3.0°	PRODUCT NAME:	TITLE:	
.XX: ± 0.15	.X°: ± 2.0°	DL22002(QB)-24Y	2.00 mm Pitch Housing	
.XXX: ± 0.01	.XX°: ± 1.0°	DR: Chen Quan Long	DATE: 23/08/01	
FINISH:		CHKD: Wu Hui	DATE: 23/08/01	
DRAWING NO:		APPD: Ren An De	DATE: 23/08/01	
			PART NO:	
			SCALE: N/A	PAGE: 1/1
			UNITS: mm	REV.: A

REV.	REVISION DESCRIPTION	DATE	APPD

NOTES

Available in 28 Circuits.
 Match with DL22002 series housing.
 Material : PBT UL94-V0.
 Accepts DL22002-T Crimp Terminal.



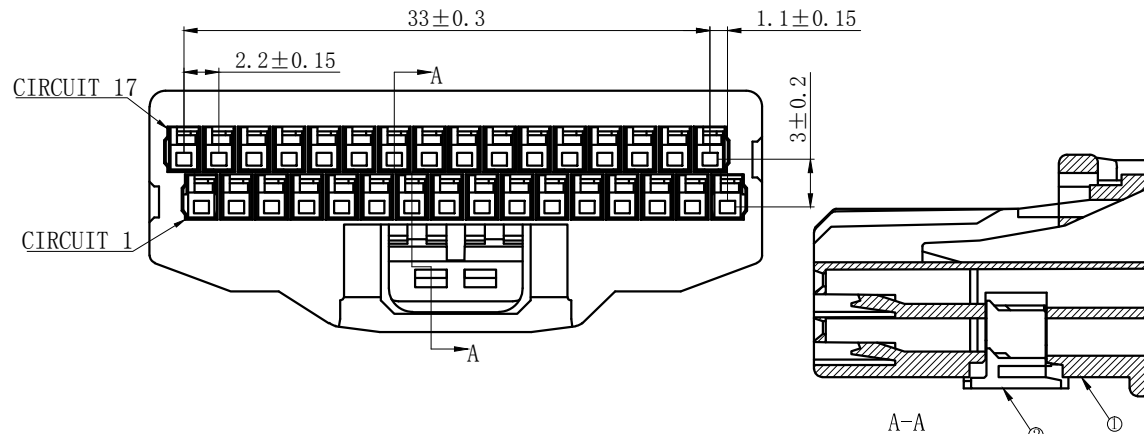
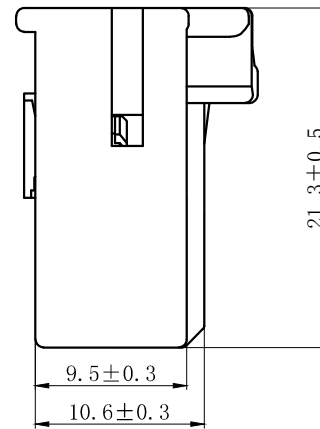
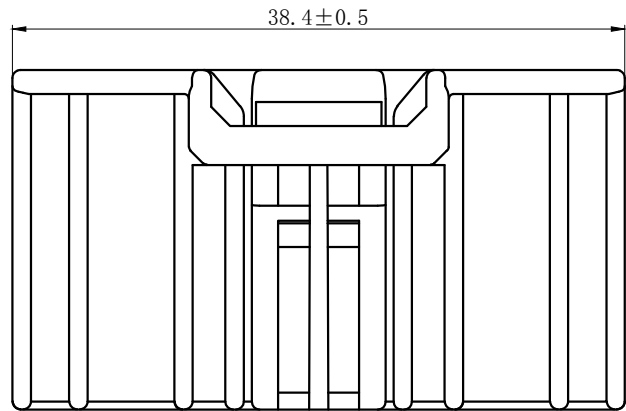
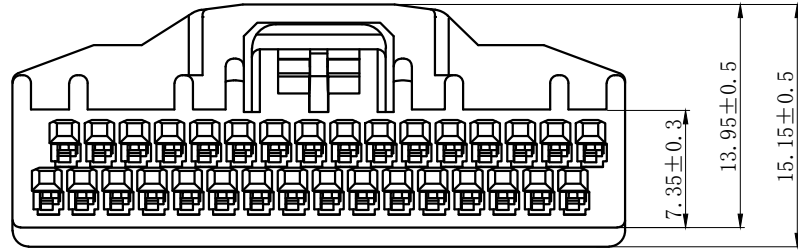
2	②	护圈	PBT	1
1	①	基座	PBT	1
序号	图号	名称	材料	数量

GENERAL TOLERANCES (UNLESS SPECIFIED)		ZHE JIANG DELI CONNECTORS CO., LTD	
.X: ± 0.25	X°: ± 3.0°	PRODUCT NAME: DL22002(QB)-28Y	TITLE: 2.00 mm Pitch Housing
.XX: ± 0.15	.X°: ± 2.0°	DR: Chen Quan Long	DATE: 23/08/01
.XXX: ± 0.01	.XX°: ± 1.0°	CHKD: Wu Hui	DATE: 23/08/01
FINISH:		APPD: Ren An De	DATE: 23/08/01
DRAWING NO:			
		SCALE: N/A	PAGE: 1/1
		UNITS: mm	REV.: A

REV.	REVISION DESCRIPTION	DATE	APPD

NOTES

Available in 32 Circuits.
 Match with DL22002 series housing.
 Material : PBT UL94-V0.
 Accepts DL22002-T Crimp Terminal.



2	②	护圈	PBT	1
1	①	基座	PBT	1
序号	图号	名称	材料	数量

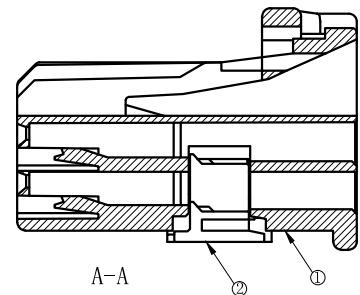
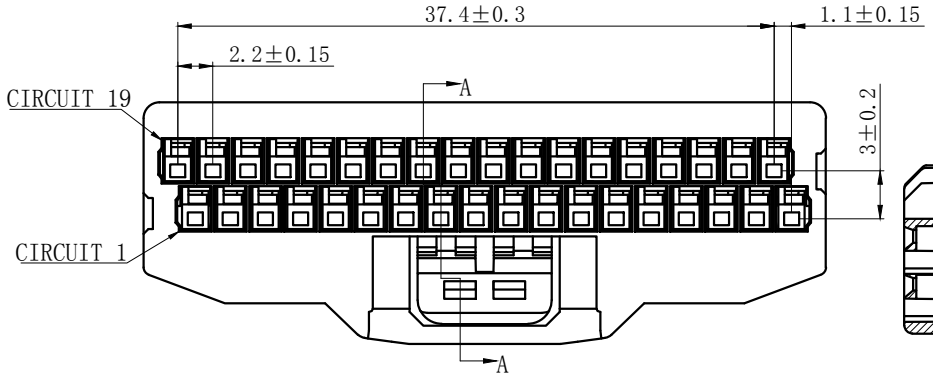
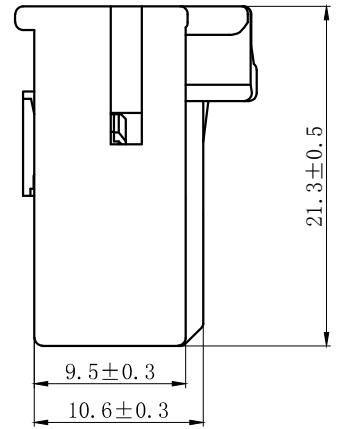
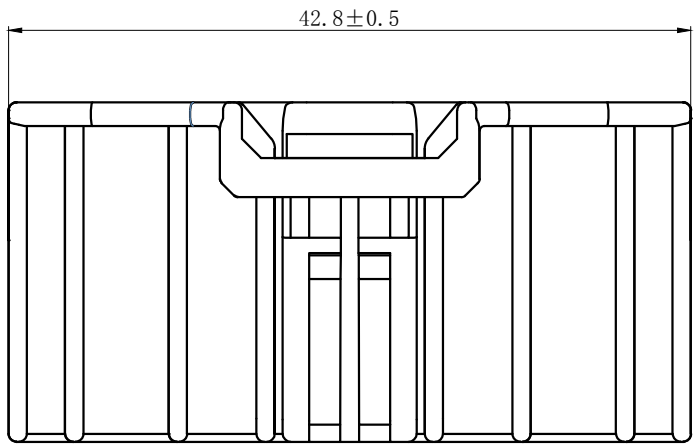
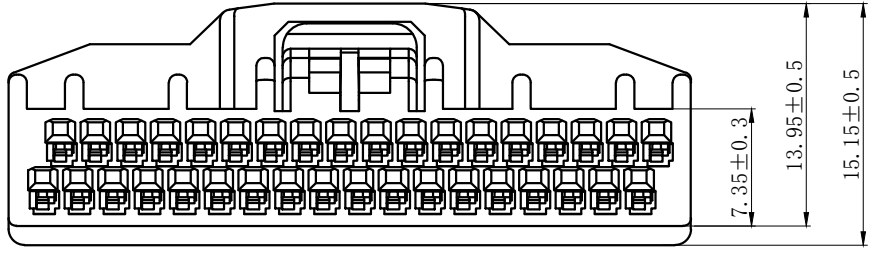
GENERAL TOLERANCES (UNLESS SPECIFIED)	
.X: ± 0.25	X° : ± 3.0°
.XX: ± 0.15	.X° : ± 2.0°
.XXX: ± 0.01	.XX° : ± 1.0°
FINISH:	
DRAWING NO:	

ZHE JIANG DELI CONNECTORS CO., LTD			
PRODUCT NAME: DL22002(QB)-32Y		TITLE: 2.00 mm Pitch Housing	
DR:Chen Quan Long	DATE:23/08/01	PART NO:	
CHKD: Wu Hui	DATE:23/08/01	SCALE: N/A	PAGE: 1/1
APPD:Ren An De	DATE:23/08/01	UNITS: mm	REV.: A

REV.	REVISION DESCRIPTION	DATE	APPD

NOTES

Available in 36 Circuits.
 Match with DL22002 series housing.
 Material : PBT UL94-V0.
 Accepts DL22002-T Crimp Terminal.

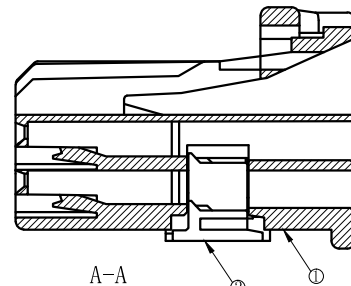
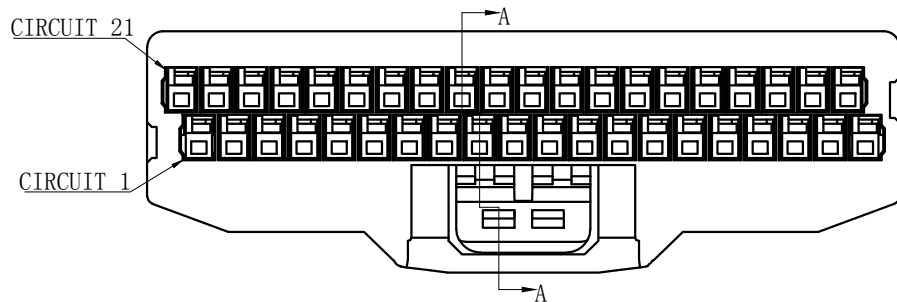
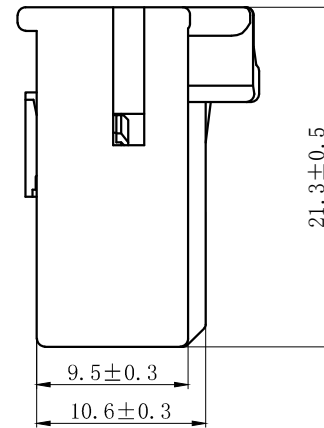
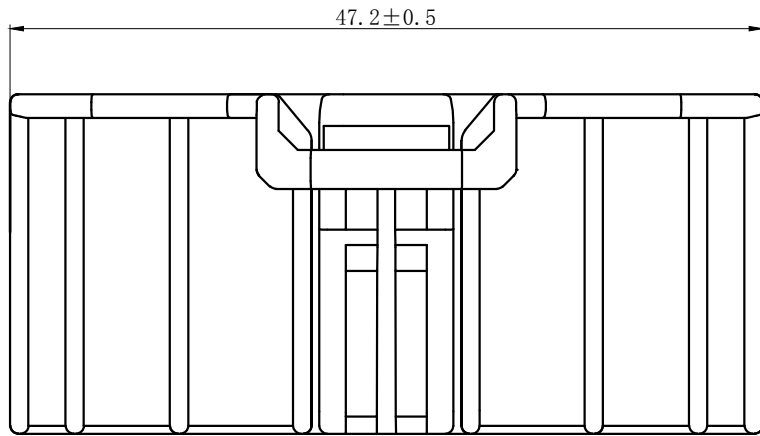
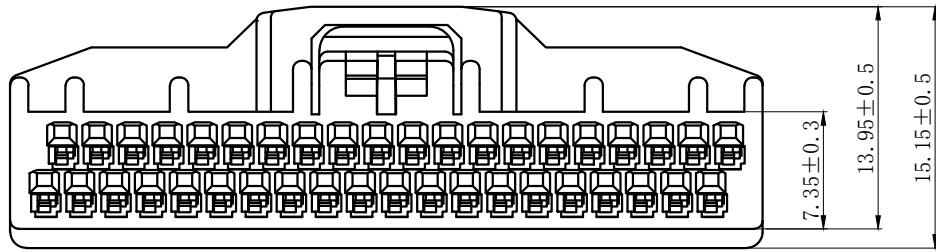


GENERAL TOLERANCES (UNLESS SPECIFIED)		ZHE JIANG DELI CONNECTORS CO., LTD	
.X: ± 0.25	X°: ± 3.0°	PRODUCT NAME: DL22002(QB)-36Y	TITLE: 2.00 mm Pitch Housing
.XX: ± 0.15	.X°: ± 2.0°	DR: Chen Quan Long	DATE: 23/08/01
.XXX: ± 0.01	.XX°: ± 1.0°	DATE: 23/08/01	PART NO:
FINISH:		CHKD: Wu Hui	DATE: 23/08/01
DRAWING NO:		APPD: Ren An De	DATE: 23/08/01
		SCALE: N/A	PAGE: 1/1
		UNITS: mm	REV.: A

REV.	REVISION DESCRIPTION	DATE	APPD

NOTES

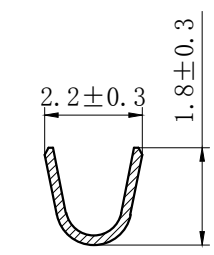
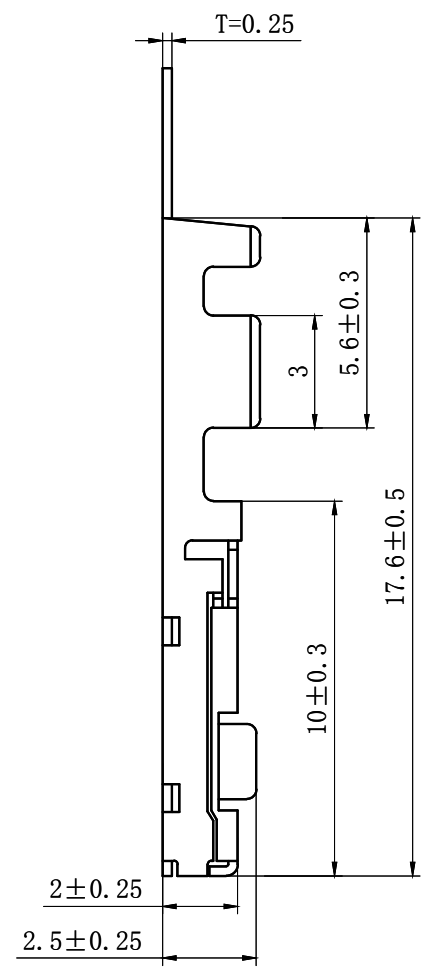
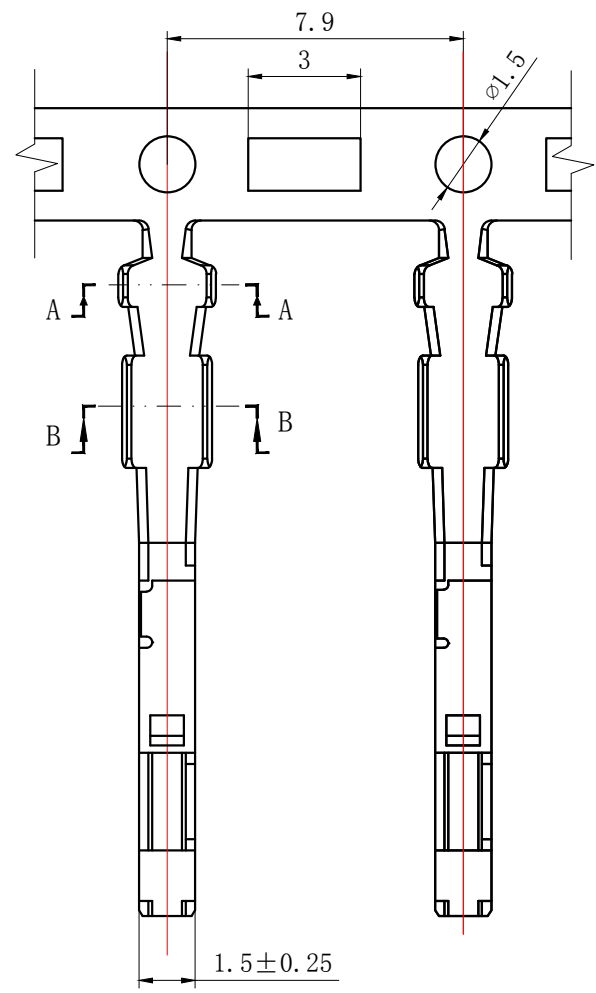
Available in 40 Circuits.
 Match with DL22002 series housing.
 Material : PBT UL94-V0.
 Accepts DL22002-T Crimp Terminal.



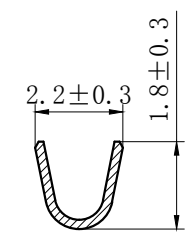
2	②	护圈	PBT	1
1	①	基座	PBT	1
序号	图号	名称	材料	数量

GENERAL TOLERANCES (UNLESS SPECIFIED)		ZHE JIANG DELI CONNECTORS CO., LTD	
.X: ± 0.25	X°: ± 3.0°	PRODUCT NAME:	TITLE:
.XX: ± 0.15	.X°: ± 2.0°	DL22002(QB)-40Y	
.XXX: ± 0.01	.XX°: ± 1.0°	DR: Chen Quan Long	DATE: 23/08/01
FINISH:		CHKD: Wu Hui	DATE: 23/08/01
DRAWING NO:		APPD: Ren An De	DATE: 23/08/01
		PART NO:	
		SCALE: N/A	PAGE: 1/1
		UNITS: mm	REV.: A

REV.	REVISION DESCRIPTION	DATE	APPD



SECTION A-A



SECTION B-B

NOTES

- Used in DL22002-Y Series Housing.
- Accepts AWG #26~24 Wire Range.
- Material : Phosphor Bronze .
- Finish: Tin plated.
- Thickness: 0.25 mm.

GENERAL TOLERANCES (UNLESS SPECIFIED)		ZHE JIANG DELI CONNECTORS CO., LTD	
.X: ± 0.25	X° : ± 3.0°	PRODUCT NAME: DL22002 (QB)-T	TITLE: 2.20 mm Pitch Crimp Terminal
.XX: ± 0.15	.X° : ± 2.0°	DR: Chen Quan Long	DATE: 22/08/01
.XXX: ± 0.01	.XX° : ± 1.0°	DATE: 22/08/01	PART NO:
FINISH:		CHKD: Wu Hui	DATE: 22/08/01
DRAWING NO:		APPD: Ren An De	DATE: 22/08/01
		SCALE: N/A	PAGE: 1/1
		UNITS: mm	REV.: A

X-ON Electronics

Largest Supplier of Electrical and Electronic Components

Click to view similar products for [Headers & Wire Housings](#) category:

Click to view products by [DLL](#) manufacturer:

Other Similar products are found below :

[0015917161](#) [0022155065](#) [57102-F02-18ULF](#) [58102-G61-06LF](#) [582553-1](#) [01.001.5753.1](#) [0050291907](#) [02.125.8002.8](#) [609-3404](#) [61062-3](#)
[CSU011177004](#) [622-0430](#) [622-3653LF](#) [63453-116](#) [636-1030](#) [636-1427](#) [636-3427](#) [636-4007](#) [641938-9](#) [65495-038](#) [65692-001LF](#) [65781-018](#)
[65781-047](#) [65817-010LF](#) [65817-015LF](#) [67095-007LF](#) [67601157](#) [68631-112](#) [68645-018](#) [699319-000](#) [70.362.1628.0](#) [70-4210](#) [70-4226B](#) [70-](#)
[4853B](#) [71.350.2428.0](#) [733-134](#) [733-162](#) [MHR-64-VUAL](#) [80.063.4001.1](#) [800-90-001-10-001000](#) [801-43-002-10-013000](#) [801-43-006-10-](#)
[002000](#) [803-43-024-10-001000](#) [803-93-012-10-001000](#) [8-1437020-4](#) [819-22-004-30-001101](#) [820-22-006-30-001101](#) [820-22-008-30-001101](#)
[821-22-002-10-001101](#) [821-22-003-10-002101](#)