

### 技术特性/Specifications:

额定电压 Rated voltage: 500V AC, DC  
额定电流 Rated current: 3A AC, DC  
接触电阻 Contact resistance: 20m $\Omega$  max  
绝缘电阻 Insulation resistance: 100M $\Omega$  min  
耐压 Withstand voltage: 1000V AC/minute  
环境温度 Ambient temperature: -40 $^{\circ}$ C~+105 $^{\circ}$ C  
适用线规 Wire range: AWG#26~#24

| REV. | REVISION DESCRIPTION | DATE | APPD |
|------|----------------------|------|------|
|      |                      |      |      |

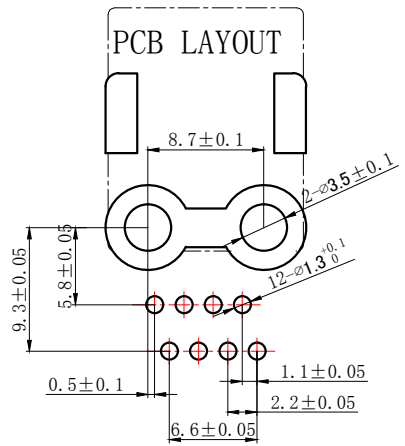
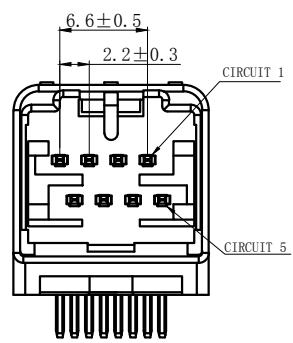
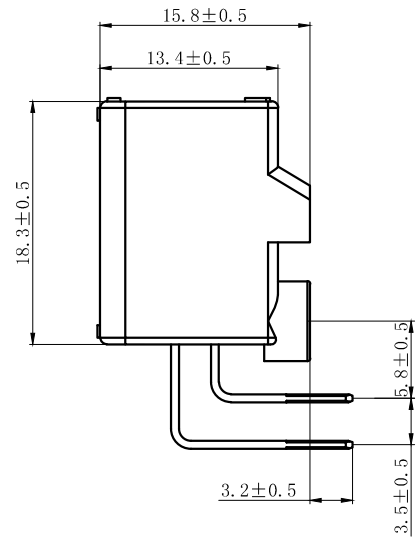
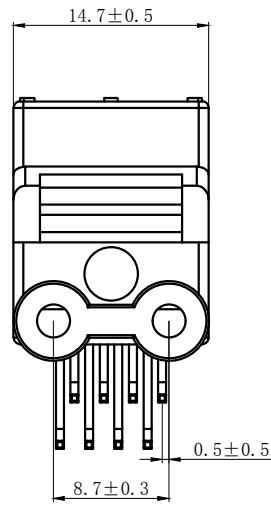
## NOTES

Available in 8 Circuits.

Match with DL22002-Y series housing.

Material : PBT UL94-V0.

Pin Material : Brass .



| GENERAL TOLERANCES<br>(UNLESS SPECIFIED) |               | ZHE JIANG DELI CONNECTORS CO ., LTD       |                                 |
|--|---------------|---|---------------------------------|
| .X: ± 0.25                               | X° : ± 3.0°   | PRODUCT NAME:<br><b>DL22002 (QB) -8AW</b> | TITLE:<br>2.20 mm Pitch Housing |
| .XX: ± 0.15                              | .X° : ± 2.0°  | DR: Chen Quan Long                        | DATE: 22/08/01                  |
| .XXX: ± 0.01                             | .XX° : ± 1.0° | CHKD: Wu Hui                              | DATE: 22/08/01                  |
| FINISH:                                  |               | APPD: Ren An De                           | DATE: 22/08/01                  |
| DRAWING NO:                              |               |   |                                 |
|  |               |   | PART NO:                        |
|  |               |   | SCALE: N/A                      |
|  |               |   | PAGE: 1/1                       |
|  |               |   | UNITS: mm                       |
|  |               |   | REV. : A                        |

| REV. | REVISION DESCRIPTION | DATE | APPD |
|------|----------------------|------|------|
|      |                      |      |      |

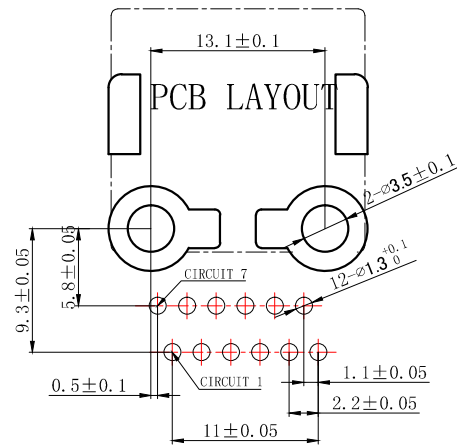
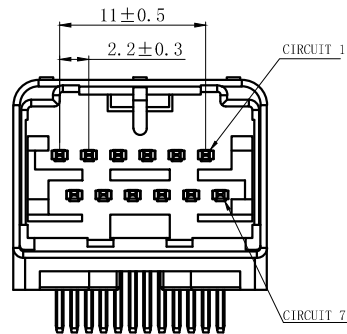
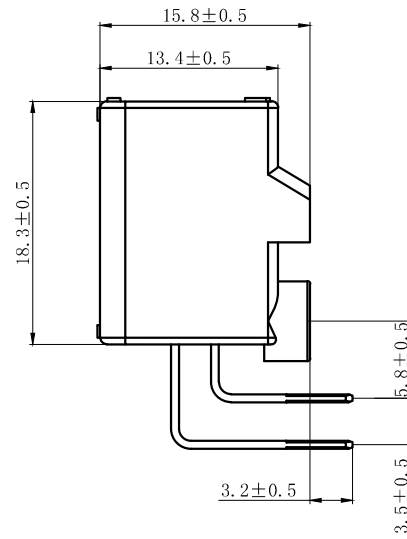
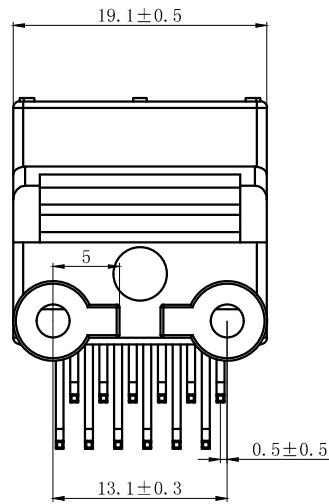
## NOTES

Available in 12 Circuits.

Match with DL22002-Y series housing.

Material : PBT UL94-V0.

Pin Material : Brass .



| GENERAL TOLERANCES<br>(UNLESS SPECIFIED) |              | ZHE JIANG DELI CONNECTORS CO., LTD       |                                 |
|--|--------------|--|---------------------------------|
| .X: ± 0.25                               | X°: ± 3.0°   | PRODUCT NAME:<br><b>DL22002(QB)-12AW</b> | TITLE:<br>2.20 mm Pitch Housing |
| .XX: ± 0.15                              | .X°: ± 2.0°  | DR: Chen Quan Long                       | DATE: 22/08/01                  |
| .XXX: ± 0.01                             | .XX°: ± 1.0° | CHKD: Wu Hui                             | DATE: 22/08/01                  |
| FINISH:                                  |              | APPD: Ren An De                          | DATE: 22/08/01                  |
| DRAWING NO:                              |              | SCALE: N/A                               | PAGE: 1/1                       |
|  |              | UNITS: mm                                | REV.: A                         |

| REV. | REVISION DESCRIPTION | DATE | APPD |
|------|----------------------|------|------|
|      |                      |      |      |

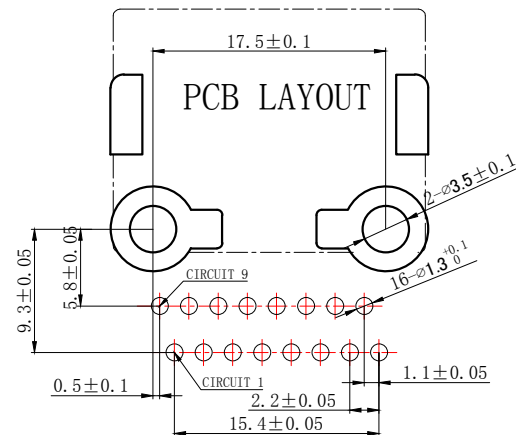
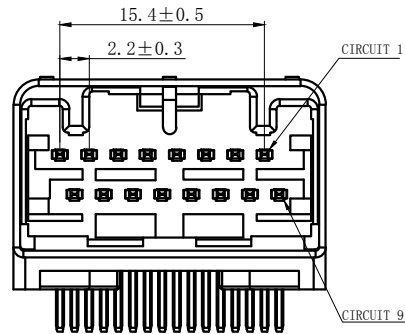
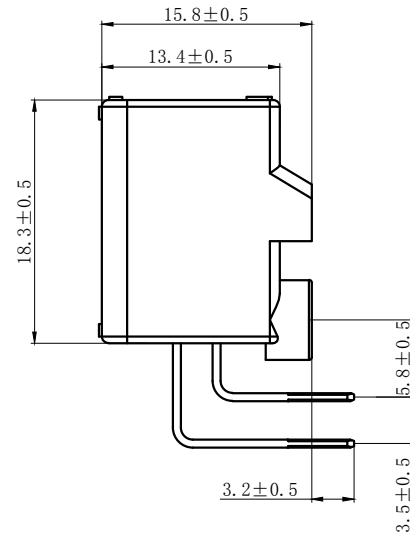
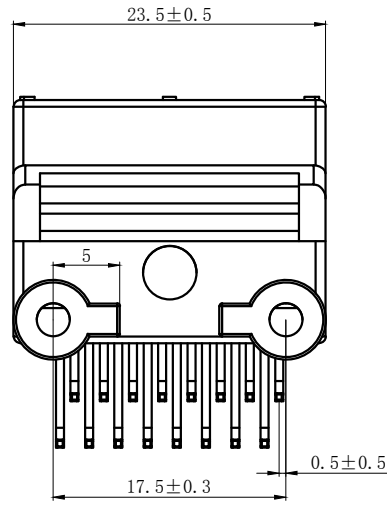
## NOTES

Available in 16 Circuits.

Match with DL22002-Y series housing.

Material : PBT UL94-V0.

Pin Material : Brass .



| GENERAL TOLERANCES<br>(UNLESS SPECIFIED) |               | ZHE JIANG DELI CONNECTORS CO ., LTD      |                                 |
|--|---------------|--|---------------------------------|
| .X: ± 0.25                               | X° : ± 3.0°   | PRODUCT NAME:<br><b>DL22002(QB)-16AW</b> | TITLE:<br>2.20 mm Pitch Housing |
| .XX: ± 0.15                              | .X° : ± 2.0°  | DR:Chen Quan Long                        | DATE:22/08/01                   |
| .XXX: ± 0.01                             | .XX° : ± 1.0° | CHKD: Wu Hui                             | DATE:22/08/01                   |
| FINISH:<br>_____                         |               | APPD:Ren An De                           | DATE:22/08/01                   |
| DRAWING NO:                              |               |  | PART NO:<br>SCALE: N/A          |
|  |               |  | PAGE: 1/1                       |
|  |               |  | UNITS: mm                       |
|  |               |  | REV. : A                        |

| REV. | REVISION DESCRIPTION | DATE | APPD |
|------|----------------------|------|------|
|      |                      |      |      |

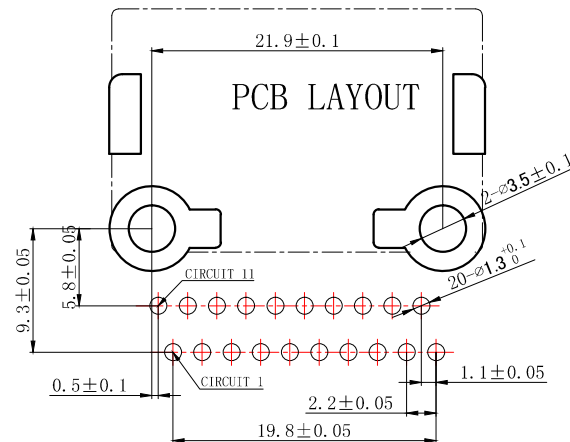
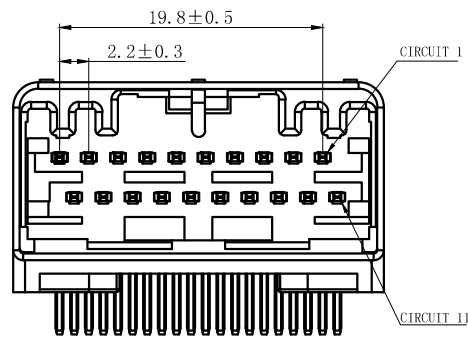
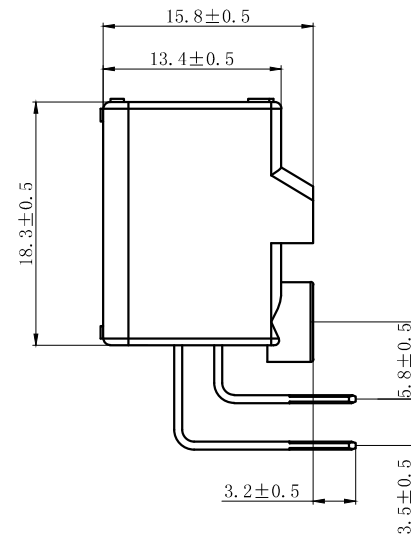
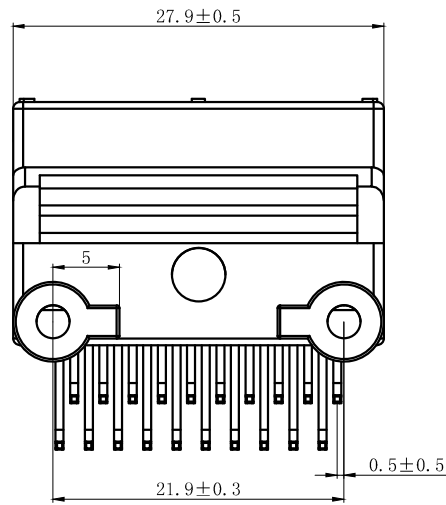
## NOTES

Available in 20 Circuits.

Match with DL22002-Y series housing.

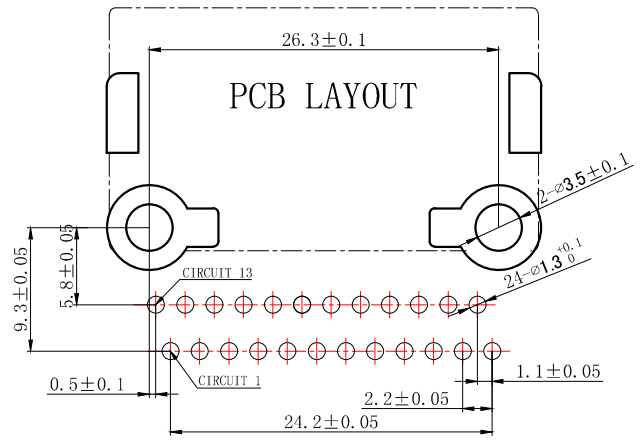
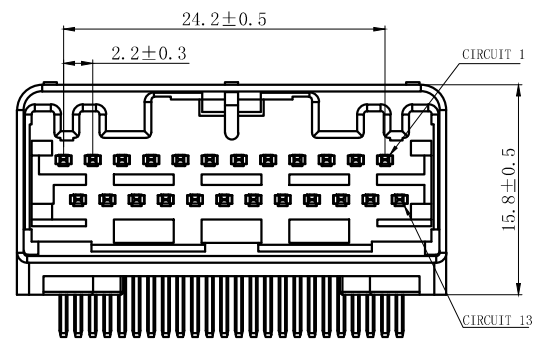
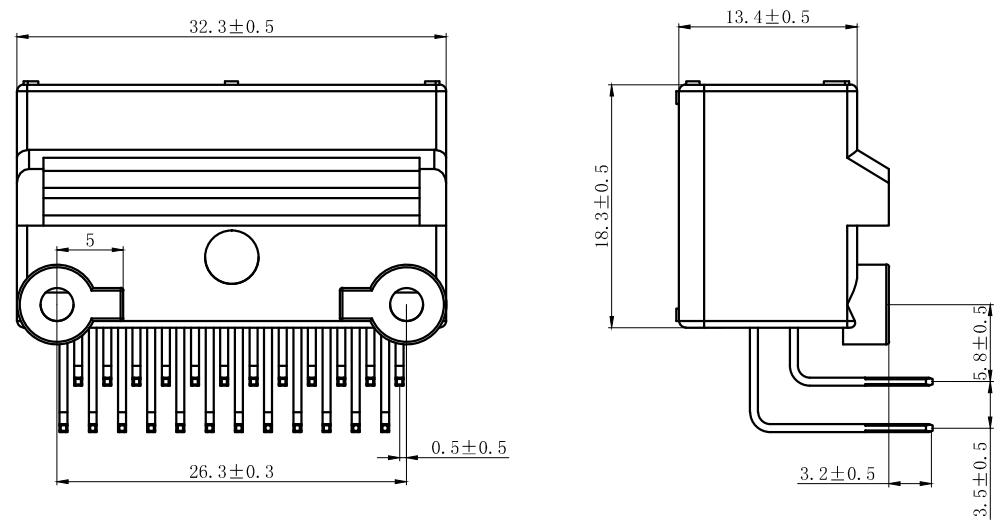
Material : PBT UL94-V0.

Pin Material : Brass .



| GENERAL TOLERANCES<br>(UNLESS SPECIFIED) |               | ZHE JIANG DELI CONNECTORS CO., LTD       |                                 |
|--|---------------|--|---------------------------------|
| .X: ± 0.25                               | X° : ± 3.0°   | PRODUCT NAME:<br><b>DL22002(QB)-20AW</b> | TITLE:<br>2.20 mm Pitch Housing |
| .XX: ± 0.15                              | .X° : ± 2.0°  | DR: Chen Quan Long                       | DATE: 22/08/01                  |
| .XXX: ± 0.01                             | .XX° : ± 1.0° | CHKD: Wu Hui                             | DATE: 22/08/01                  |
| FINISH:                                  |               | APPD: Ren An De                          | DATE: 22/08/01                  |
| DRAWING NO:                              |               |  |                                 |
|  |               |  |                                 |

| REV. | REVISION DESCRIPTION | DATE | APPD |
|------|----------------------|------|------|
|      |                      |      |      |



### NOTES

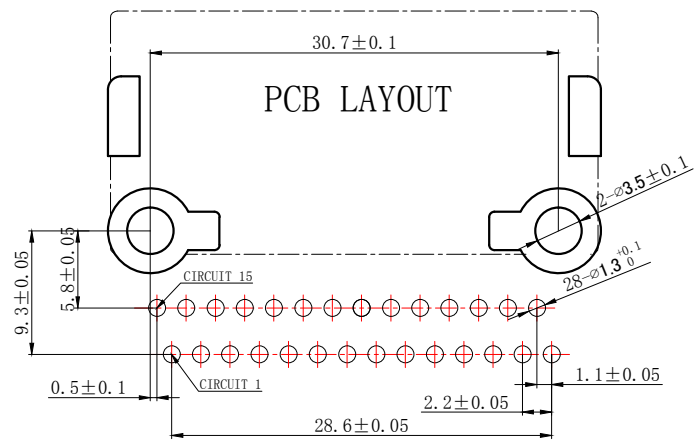
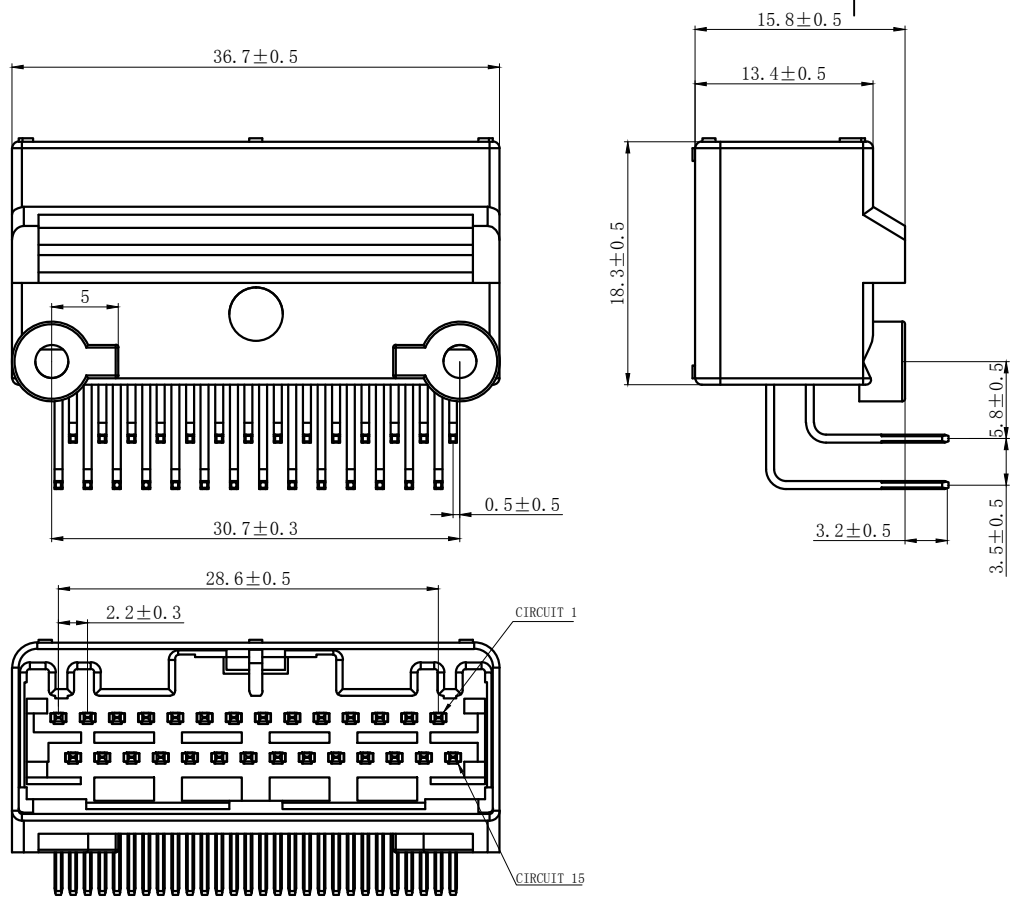
Available in 24 Circuits.  
 Match with DL22002-Y series housing.  
 Material : PBT UL94-V0.  
 Pin Material : Brass .

| GENERAL TOLERANCES (UNLESS SPECIFIED) |                       | ZHE JIANG DELI CONNECTORS CO., LTD |                       |
|---------------------------------------|-----------------------|------------------------------------|-----------------------|
| .X: $\pm 0.25$                        | X°: $\pm 3.0^\circ$   | PRODUCT NAME:                      | TITLE:                |
| .XX: $\pm 0.15$                       | .X°: $\pm 2.0^\circ$  | DL22002(QB)-24AW                   | 2.20 mm Pitch Housing |
| .XXX: $\pm 0.01$                      | .XX°: $\pm 1.0^\circ$ | DR: Chen Quan Long                 | DATE: 22/08/01        |
| FINISH:                               |                       | CHKD: Wu Hui                       | DATE: 22/08/01        |
| DRAWING NO:                           |                       | APPD: Ren An De                    | DATE: 22/08/01        |
|                                       |                       | SCALE: N/A                         | PAGE: 1/1             |
|                                       |                       | UNITS: mm                          | REV.: A               |

| REV. | REVISION DESCRIPTION | DATE | APPD |
|------|----------------------|------|------|
|      |                      |      |      |

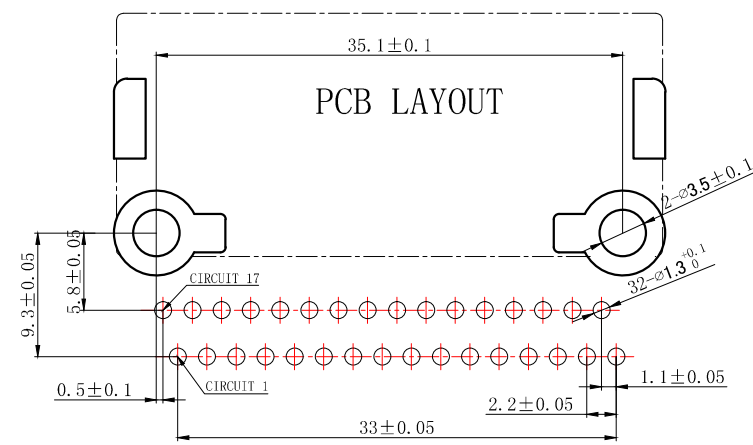
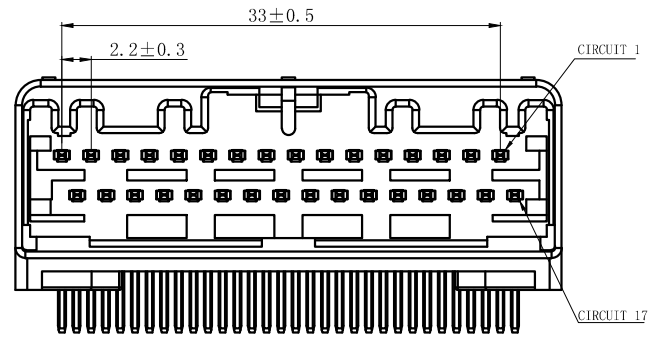
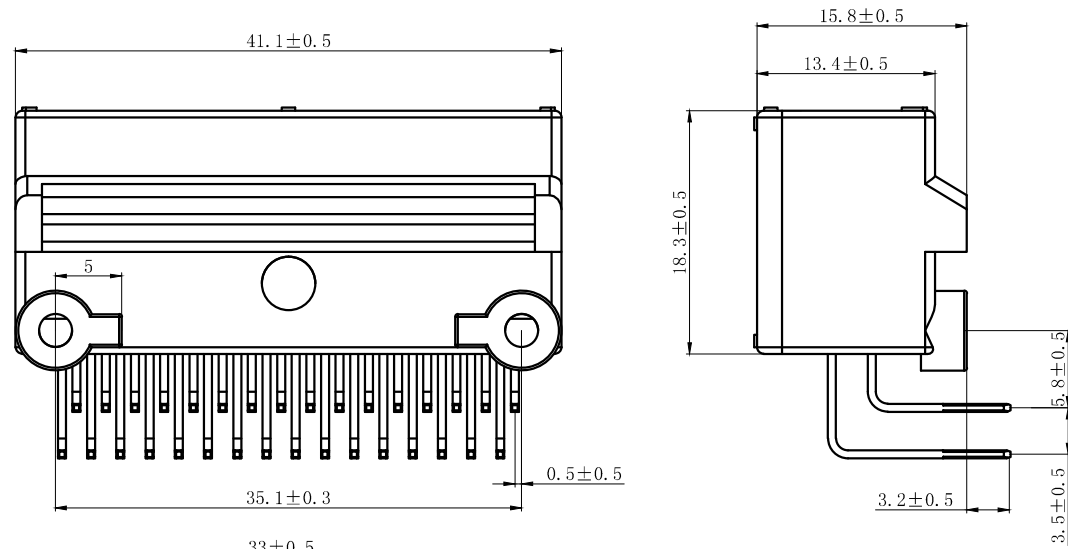
### NOTES

Available in 28 Circuits.  
 Match with DL22002-Y series housing.  
 Material : PBT UL94-V0.  
 Pin Material : Brass .



| GENERAL TOLERANCES (UNLESS SPECIFIED) |               | ZHE JIANG DELI CONNECTORS CO., LTD |                       |
|---------------------------------------|---------------|------------------------------------|-----------------------|
| .X: ± 0.25                            | X° : ± 3.0°   | PRODUCT NAME:                      | TITLE:                |
| .XX: ± 0.15                           | .X° : ± 2.0°  | DL22002(QB)-28AW                   | 2.20 mm Pitch Housing |
| .XXX: ± 0.01                          | .XX° : ± 1.0° | DR:Chen Quan Long                  | DATE:22/08/01         |
| FINISH:                               |               | CHKD: Wu Hui                       | DATE:22/08/01         |
| DRAWING NO:                           |               | APPD:Ren An De                     | DATE:22/08/01         |
|                                       |               |                                    | SCALE: N/A            |
|                                       |               |                                    | PAGE: 1/1             |
|                                       |               |                                    | UNITS: mm             |
|                                       |               |                                    | REV. : A              |

| REV. | REVISION DESCRIPTION | DATE | APPD |
|------|----------------------|------|------|
|      |                      |      |      |



### NOTES

Available in 32 Circuits.  
 Match with DL22002-Y series housing.  
 Material : PBT UL94-V0.  
 Pin Material : Brass .

| GENERAL TOLERANCES (UNLESS SPECIFIED) |              | ZHE JIANG DELI CONNECTORS CO., LTD |                       |
|---------------------------------------|--------------|------------------------------------|-----------------------|
| .X: ± 0.25                            | X°: ± 3.0°   | PRODUCT NAME:                      | TITLE:                |
| .XX: ± 0.15                           | .X°: ± 2.0°  | DL22002(QB)-32AW                   | 2.20 mm Pitch Housing |
| .XXX: ± 0.01                          | .XX°: ± 1.0° | DR: Chen Quan Long                 | DATE: 22/08/01        |
| FINISH:                               |              | CHKD: Wu Hui                       | DATE: 22/08/01        |
| DRAWING NO:                           |              | APPD: Ren An De                    | DATE: 22/08/01        |
|                                       |              | SCALE: N/A                         | PAGE: 1/1             |
|                                       |              | UNITS: mm                          | REV.: A               |



| REV. | REVISION DESCRIPTION | DATE | APPD |
|------|----------------------|------|------|
|      |                      |      |      |

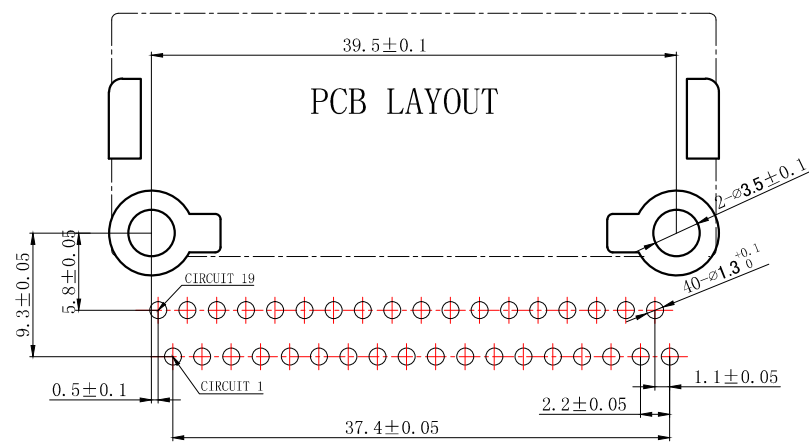
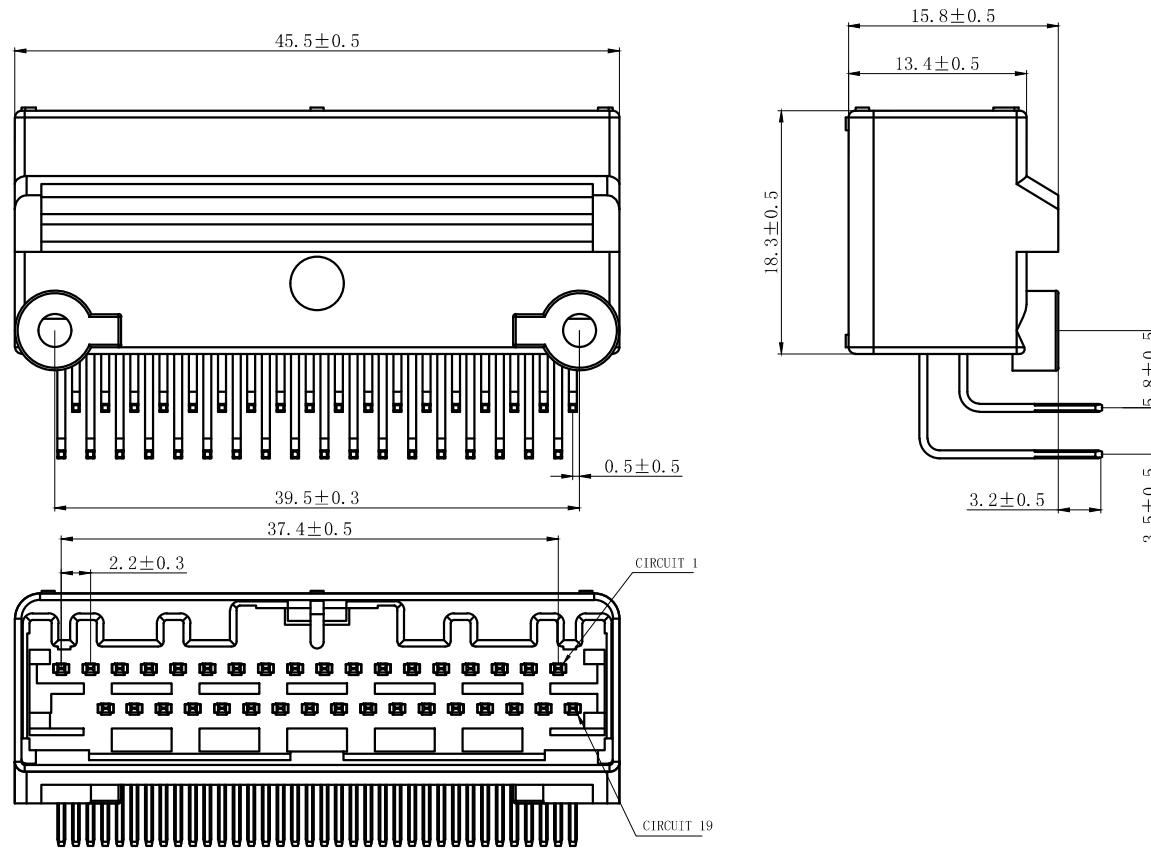
## NOTES

Available in 36 Circuits.

Match with DL22002-Y series housing.

Material : PBT UL94-V0.

Pin Material : Brass .

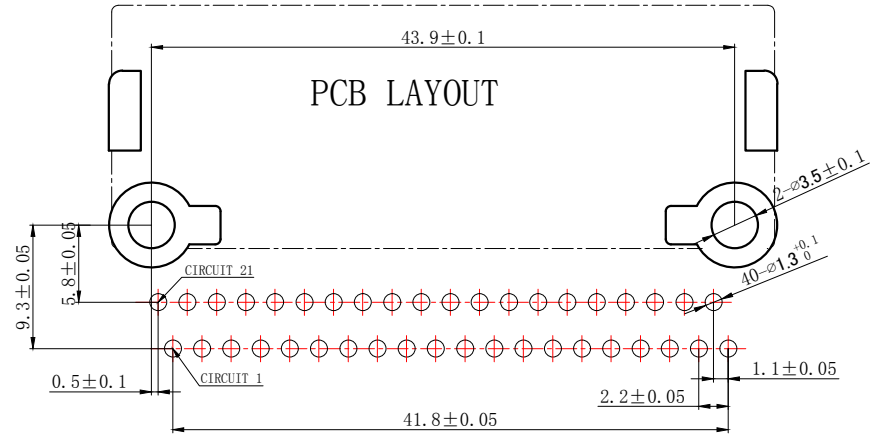
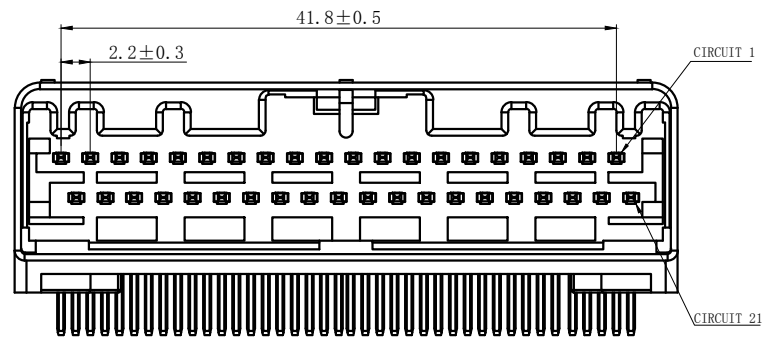
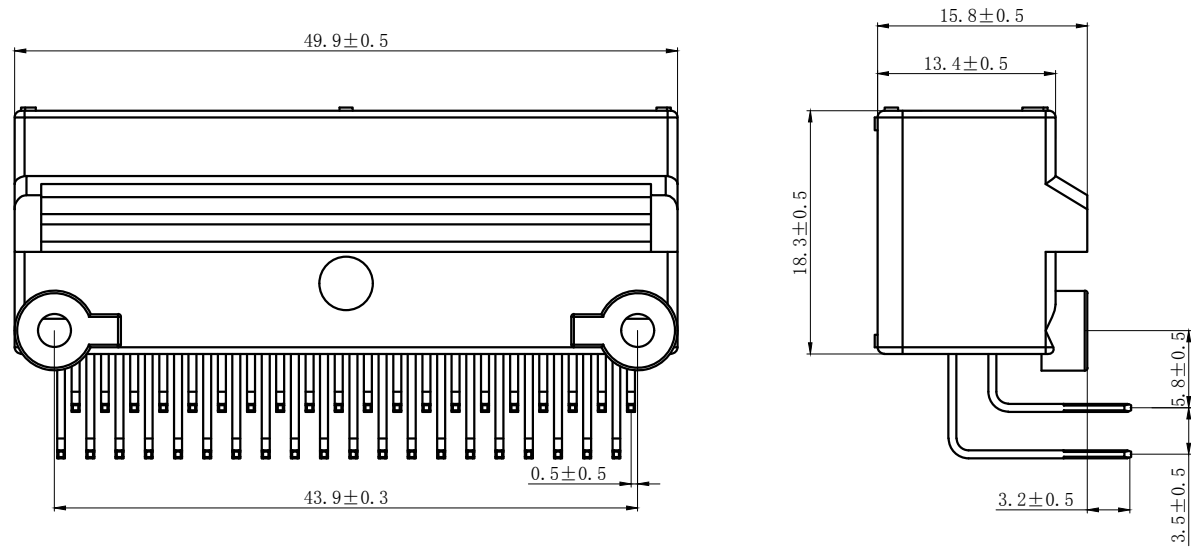


| GENERAL TOLERANCES (UNLESS SPECIFIED) |              | ZHE JIANG DELI CONNECTORS CO., LTD |                       |
|---------------------------------------|--------------|------------------------------------|-----------------------|
| .X: ± 0.25                            | X°: ± 3.0°   | PRODUCT NAME:                      | TITLE:                |
| .XX: ± 0.15                           | .X°: ± 2.0°  | DL22002(QB)-36AW                   | 2.20 mm Pitch Housing |
| .XXX: ± 0.01                          | .XX°: ± 1.0° | DR: Chen Quan Long                 | DATE: 22/08/01        |
| FINISH:                               |              | CHKD: Wu Hui                       | DATE: 22/08/01        |
| DRAWING NO:                           |              | APPD: Ren An De                    | DATE: 22/08/01        |
|                                       |              | SCALE: N/A                         | PAGE: 1/1             |
|                                       |              | UNITS: mm                          | REV.: A               |

| REV. | REVISION DESCRIPTION | DATE | APPD |
|------|----------------------|------|------|
|      |                      |      |      |

### NOTES

Available in 40 Circuits.  
 Match with DL22002-Y series housing.  
 Material : PBT UL94-V0.  
 Pin Material : Brass .



| GENERAL TOLERANCES (UNLESS SPECIFIED) |                       | ZHE JIANG DELI CONNECTORS CO., LTD |                       |
|---------------------------------------|-----------------------|------------------------------------|-----------------------|
| .X: $\pm 0.25$                        | X°: $\pm 3.0^\circ$   | PRODUCT NAME:                      | TITLE:                |
| .XX: $\pm 0.15$                       | .X°: $\pm 2.0^\circ$  | DL22002(QB)-40AW                   | 2.20 mm Pitch Housing |
| .XXX: $\pm 0.01$                      | .XX°: $\pm 1.0^\circ$ | DR: Chen Quan Long                 | DATE: 22/08/01        |
| FINISH:                               |                       | CHKD: Wu Hui                       | DATE: 22/08/01        |
| DRAWING NO:                           |                       | APPD: Ren An De                    | DATE: 22/08/01        |
|                                       |                       | SCALE: N/A                         | PAGE: 1/1             |
|                                       |                       | UNITS: mm                          | REV.: A               |

| REV. | REVISION DESCRIPTION | DATE | APPD |
|------|----------------------|------|------|
|      |                      |      |      |

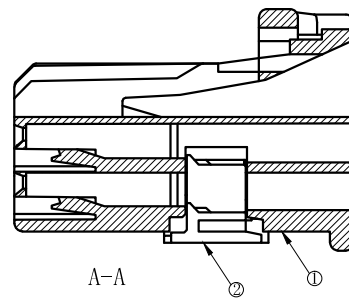
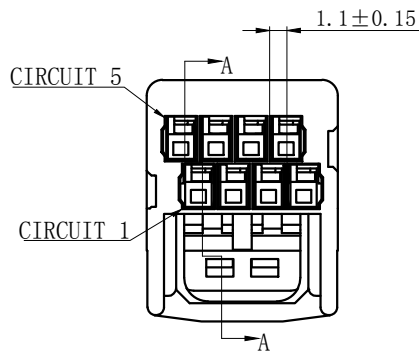
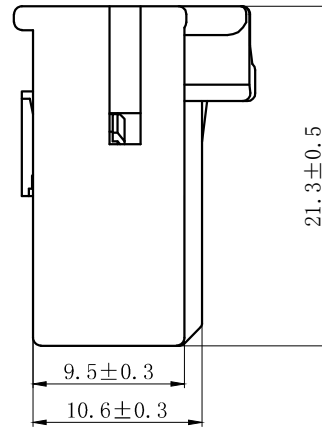
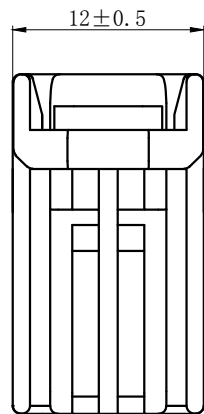
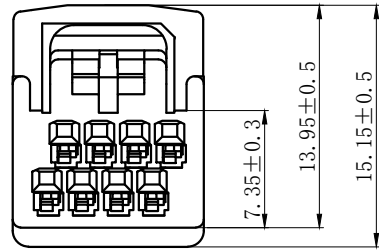
# NOTES

Available in 8 Circuits.

Match with DL22002 series housing.

Material : PBT UL94-V0.

Accepts DL22002-T Crimp Terminal.



| GENERAL TOLERANCES<br>(UNLESS SPECIFIED) |               | ZHE JIANG DELI CONNECTORS CO., LTD     |                               |
|--|---------------|--|-------------------------------|
| .X: ± 0.25                               | X° : ± 3.0°   | PRODUCT NAME:<br><b>DL22002(QB)-8Y</b> | TITLE:                        |
| .XX: ± 0.15                              | .X° : ± 2.0°  | DR:Chen Quan Long    DATE:23/08/01     | PART NO:<br>DL22002-8Y-XXX-XX |
| .XXX: ± 0.01                             | .XX° : ± 1.0° |  |                               |
| FINISH:                                  |               | CHKD: Wu Hui    DATE:23/08/01          | SCALE: N/A    PAGE: 1/1       |
| DRAWING NO:                              |               | APPD:Ren An De    DATE:23/08/01        | UNITS: mm    REV. : A         |

1 2 3 4 5 6 7 8

| REV. | REVISION DESCRIPTION | DATE | APPD |
|------|----------------------|------|------|
|      |                      |      |      |

A

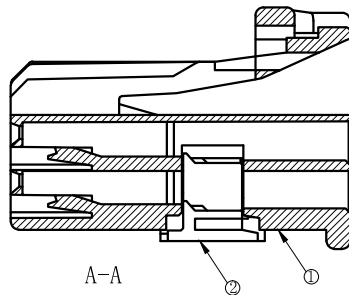
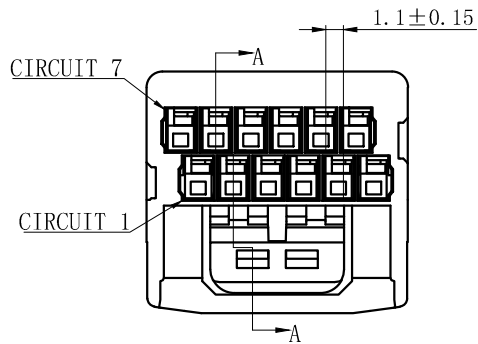
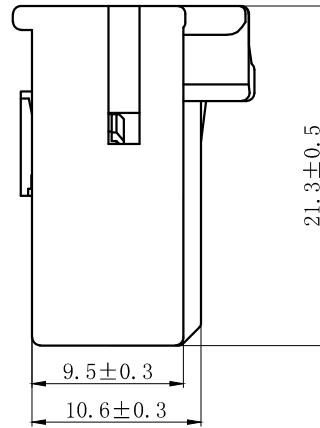
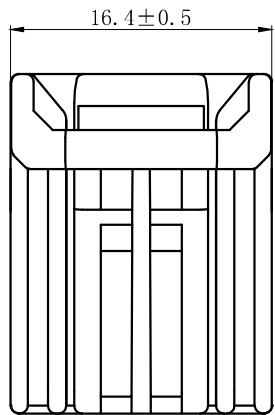
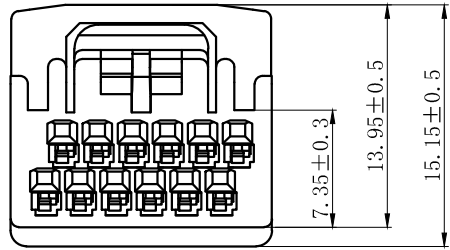
B

C

D

E

F



# NOTES

Available in 12 Circuits.  
 Match with DL22002 series housing.  
 Material : PBT UL94-V0.  
 Accepts DL22002-T Crimp Terminal.

|    |    |    |     |    |
|----|----|----|-----|----|
| 2  | ②  | 护圈 | PBT | 1  |
| 1  | ①  | 基座 | PBT | 1  |
| 序号 | 图号 | 名称 | 材料  | 数量 |

|                                       |              |   |                                 |            |
|---------------------------------------|--------------|---|---------------------------------|------------|
| GENERAL TOLERANCES (UNLESS SPECIFIED) |              | ZHE JIANG DELI CONNECTORS CO., LTD      |                                 |            |
| .X: ± 0.25                            | X°: ± 3.0°   | PRODUCT NAME:<br><b>DL22002(QB)-12Y</b> | TITLE:<br>2.00 mm Pitch Housing |            |
| .XX: ± 0.15                           | .X°: ± 2.0°  | DR: Chen Quan Long                      | DATE: 23/08/01                  | PART NO:   |
| .XXX: ± 0.01                          | .XX°: ± 1.0° | CHKD: Wu Hui                            | DATE: 23/08/01                  | SCALE: N/A |
| FINISH:                               |              | APPD: Ren An De                         | DATE: 23/08/01                  | PAGE: 1/1  |
| DRAWING NO:                           |              |   | UNITS: mm                       | REV.: A    |

1 2 3 4 5 6 7 8

1 2 3 4 5 6 7 8

| REV. | REVISION DESCRIPTION | DATE | APPD |
|------|----------------------|------|------|
|      |                      |      |      |

# NOTES

Available in 16 Circuits.  
 Match with DL22002 series housing.  
 Material : PBT UL94-V0.  
 Accepts DL22002-T Crimp Terminal.

A

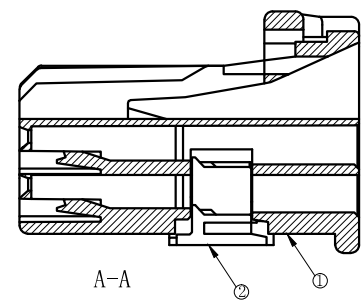
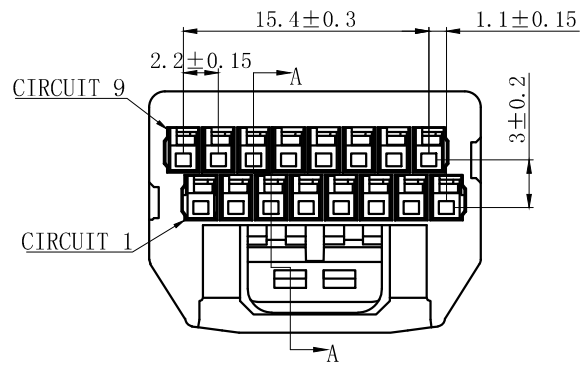
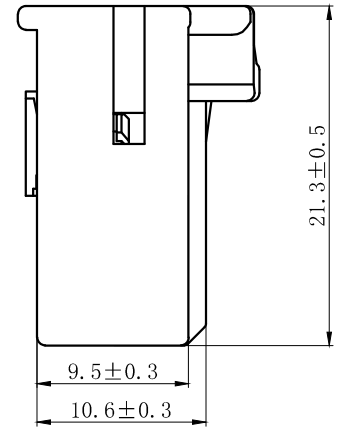
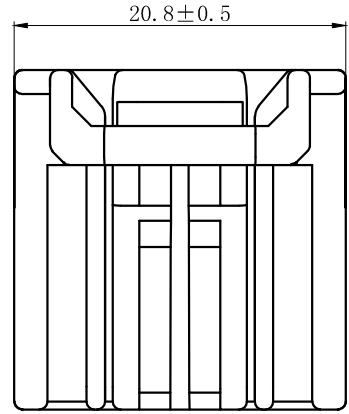
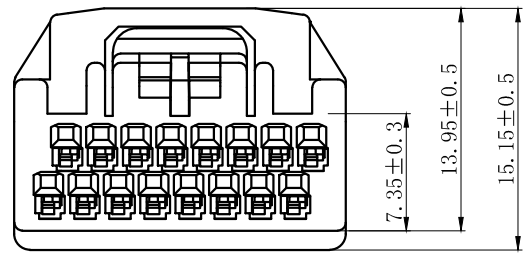
B

C

D

E

F



|    |    |    |     |    |
|----|----|----|-----|----|
| 2  | ②  | 护圈 | PBT | 1  |
| 1  | ①  | 基座 | PBT | 1  |
| 序号 | 图号 | 名称 | 材料  | 数量 |

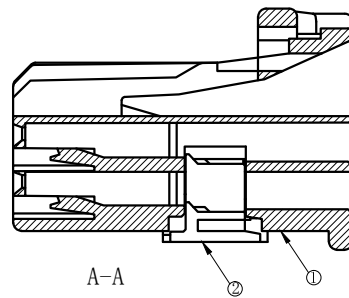
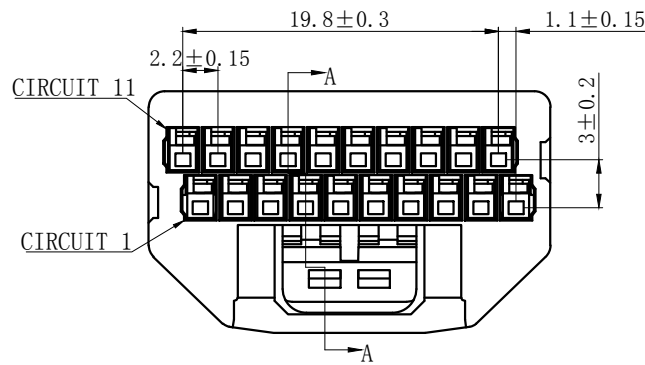
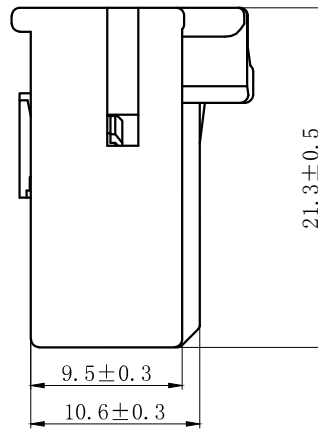
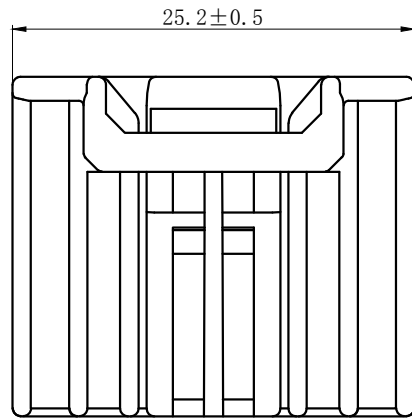
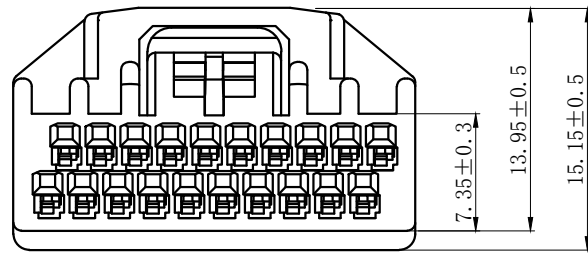
|                                       |              |   |                                 |                                |
|---------------------------------------|--------------|---|---------------------------------|--------------------------------|
| GENERAL TOLERANCES (UNLESS SPECIFIED) |              | ZHE JIANG DELI CONNECTORS CO., LTD      |                                 |                                |
| .X: ± 0.25                            | X°: ± 3.0°   | PRODUCT NAME:<br><b>DL22002(QB)-16Y</b> | TITLE:<br>2.00 mm Pitch Housing |                                |
| .XX: ± 0.15                           | .X°: ± 2.0°  | DR: Chen Quan Long                      | DATE: 23/08/01                  | PART NO:<br>DL22002-16Y-XXX-XX |
| .XXX: ± 0.01                          | .XX°: ± 1.0° | CHKD: Wu Hui                            | DATE: 23/08/01                  | SCALE: N/A                     |
| FINISH:                               |              | APPD: Ren An De                         | DATE: 23/08/01                  | PAGE: 1/1                      |
| DRAWING NO:<br>GC-DL22002-16Y-XXX-XX  |              |   | UNITS: mm                       | REV.: A                        |

1 2 3 4 5 6 7 8

| REV.                 | 7    | 8    |
|----------------------|------|------|
| REVISION DESCRIPTION | DATE | APPD |
|                      |      |      |

# NOTES

Available in 20 Circuits.  
 Match with DL22002 series housing.  
 Material : PBT UL94-V0.  
 Accepts DL22002-T Crimp Terminal.



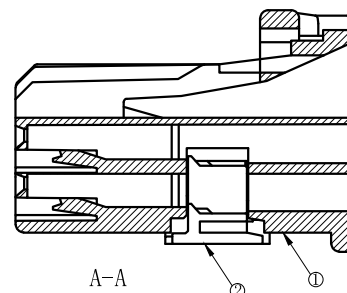
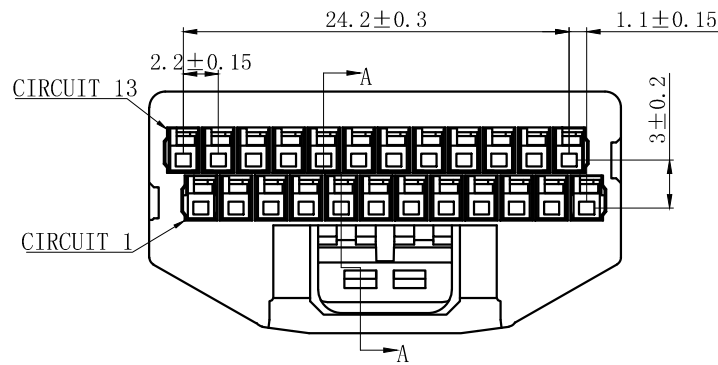
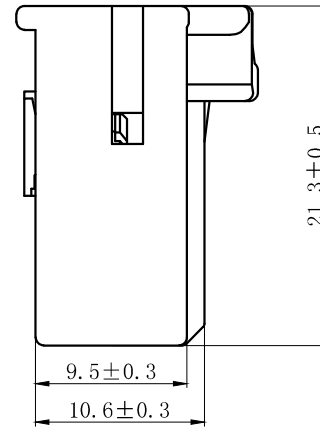
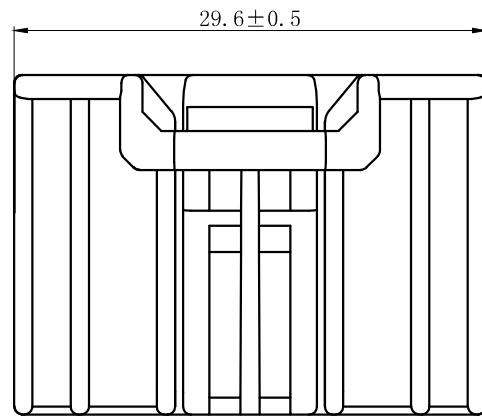
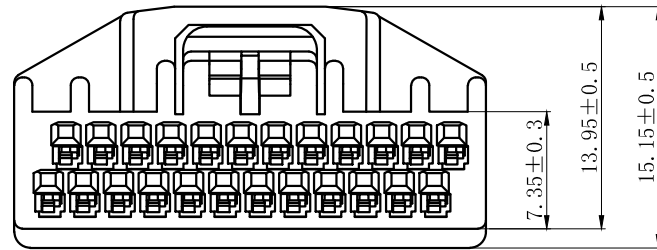
|    |    |    |     |    |
|----|----|----|-----|----|
| 2  | ②  | 护圈 | PBT | 1  |
| 1  | ①  | 基座 | PBT | 1  |
| 序号 | 图号 | 名称 | 材料  | 数量 |

| GENERAL TOLERANCES (UNLESS SPECIFIED) |              | ZHE JIANG DELI CONNECTORS CO., LTD      |                                 |
|---------------------------------------|--------------|---|---------------------------------|
| .X: ± 0.25                            | X°: ± 3.0°   | PRODUCT NAME:<br><b>DL22002(QB)-20Y</b> | TITLE:<br>2.00 mm Pitch Housing |
| .XX: ± 0.15                           | .X°: ± 2.0°  | DR: Chen Quan Long                      | DATE: 23/08/01                  |
| .XXX: ± 0.01                          | .XX°: ± 1.0° | CHKD: Wu Hui                            | DATE: 23/08/01                  |
| FINISH:                               |              | APPD: Ren An De                         | DATE: 23/08/01                  |
| DRAWING NO:                           |              |   | PART NO:                        |
|                                       |              |   | SCALE: N/A                      |
|                                       |              |   | PAGE: 1/1                       |
|                                       |              |   | UNITS: mm                       |
|                                       |              |   | REV.: A                         |

| REV. | REVISION DESCRIPTION | DATE | APPD |
|------|----------------------|------|------|
|      |                      |      |      |

# NOTES

Available in 24 Circuits.  
 Match with DL22002 series housing.  
 Material : PBT UL94-V0.  
 Accepts DL22002-T Crimp Terminal.



|    |    |    |     |    |
|----|----|----|-----|----|
| 2  | ②  | 护圈 | PBT | 1  |
| 1  | ①  | 基座 | PBT | 1  |
| 序号 | 图号 | 名称 | 材料  | 数量 |

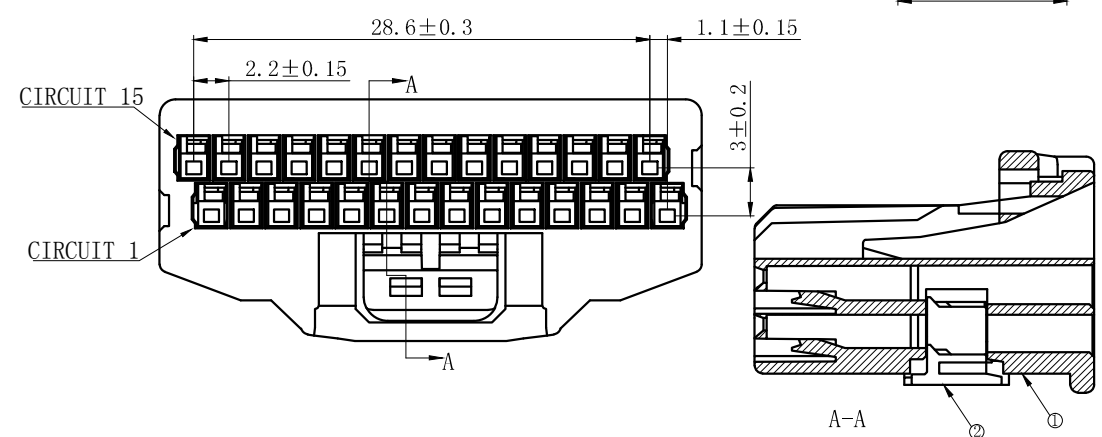
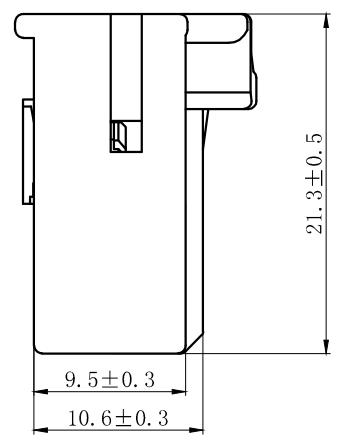
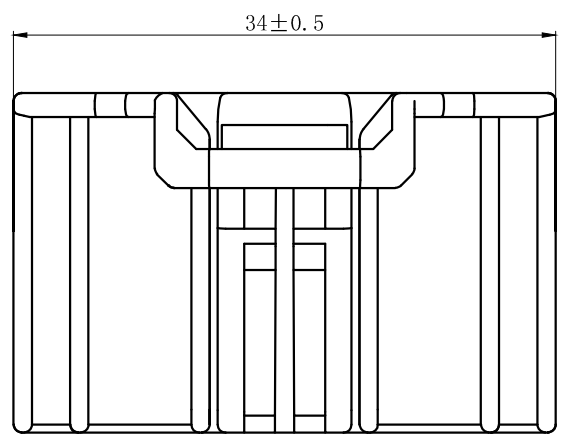
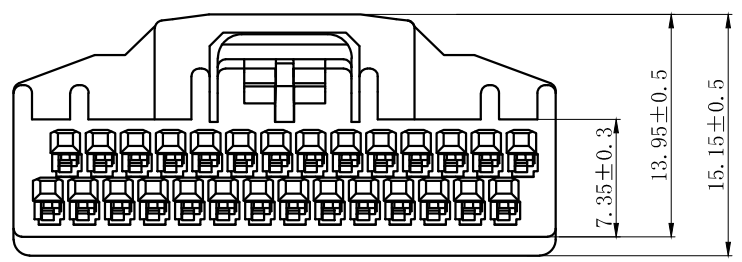
| GENERAL TOLERANCES (UNLESS SPECIFIED) |              | ZHE JIANG DELI CONNECTORS CO., LTD |                       |
|---------------------------------------|--------------|------------------------------------|-----------------------|
| .X: ± 0.25                            | X°: ± 3.0°   | PRODUCT NAME:                      | TITLE:                |
| .XX: ± 0.15                           | .X°: ± 2.0°  | DL22002(QB)-24Y                    | 2.00 mm Pitch Housing |
| .XXX: ± 0.01                          | .XX°: ± 1.0° | DR: Chen Quan Long                 | DATE: 23/08/01        |
| FINISH:                               |              | CHKD: Wu Hui                       | DATE: 23/08/01        |
| DRAWING NO:                           |              | APPD: Ren An De                    | DATE: 23/08/01        |
|                                       |              | PART NO:                           |                       |
|                                       |              | SCALE: N/A                         | PAGE: 1/1             |
|                                       |              | UNITS: mm                          | REV.: A               |

1 2 3 4 5 6 7 8

| REV. | REVISION DESCRIPTION | DATE | APPD |
|------|----------------------|------|------|
|      |                      |      |      |

# NOTES

Available in 28 Circuits.  
 Match with DL22002 series housing.  
 Material : PBT UL94-V0.  
 Accepts DL22002-T Crimp Terminal.



|    |    |    |     |    |
|----|----|----|-----|----|
| 2  | ②  | 护圈 | PBT | 1  |
| 1  | ①  | 基座 | PBT | 1  |
| 序号 | 图号 | 名称 | 材料  | 数量 |

GENERAL TOLERANCES (UNLESS SPECIFIED)

|              |               |
|--------------|---------------|
| .X: ± 0.25   | X° : ± 3.0°   |
| .XX: ± 0.15  | .X° : ± 2.0°  |
| .XXX: ± 0.01 | .XX° : ± 1.0° |

FINISH:

DRAWING NO:

ZHE JIANG DELI CONNECTORS CO., LTD

|                                  |                |                                 |           |
|----------------------------------|----------------|---------------------------------|-----------|
| PRODUCT NAME:<br>DL22002(QB)-28Y |                | TITLE:<br>2.00 mm Pitch Housing |           |
| DR: Chen Quan Long               | DATE: 23/08/01 | PART NO:                        |           |
| CHKD: Wu Hui                     | DATE: 23/08/01 | SCALE: N/A                      | PAGE: 1/1 |
| APPD: Ren An De                  | DATE: 23/08/01 | UNITS: mm                       | REV.: A   |

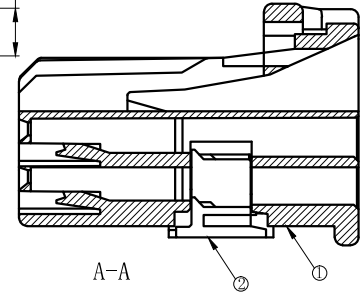
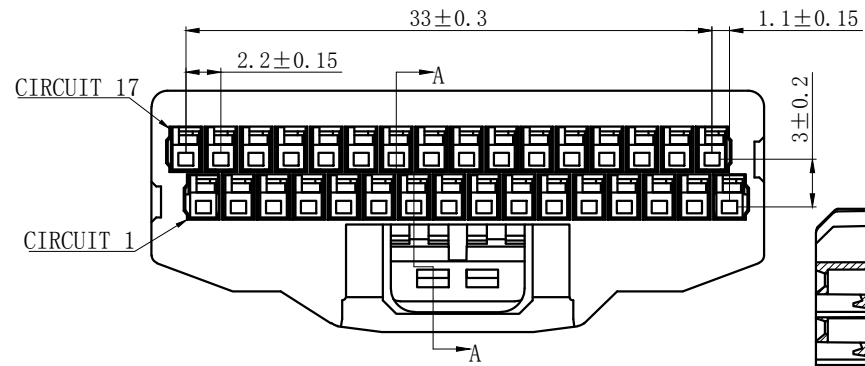
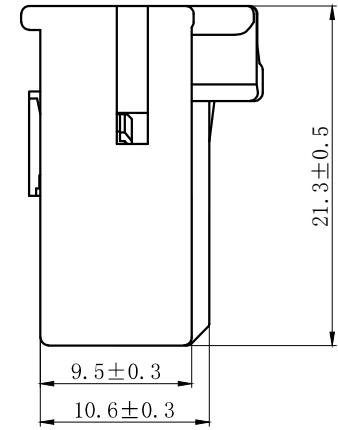
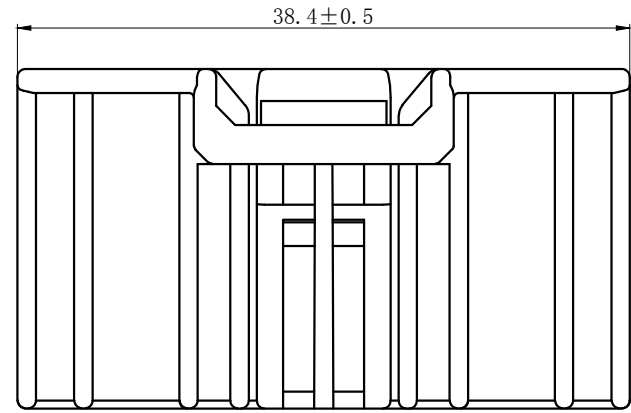
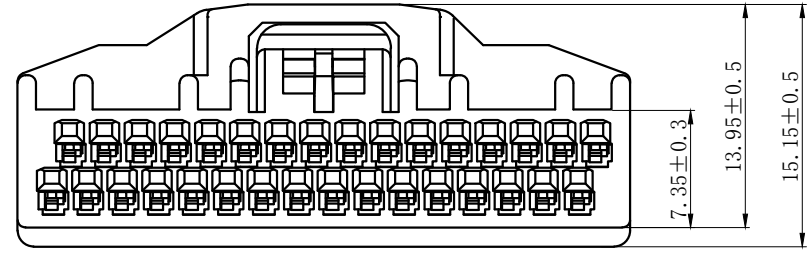
1 2 3 4 5 6 7 8



| REV. | REVISION DESCRIPTION | DATE | APPD |
|------|----------------------|------|------|
|      |                      |      |      |

# NOTES

Available in 32 Circuits.  
 Match with DL22002 series housing.  
 Material : PBT UL94-V0.  
 Accepts DL22002-T Crimp Terminal.



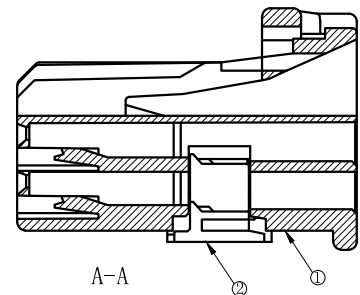
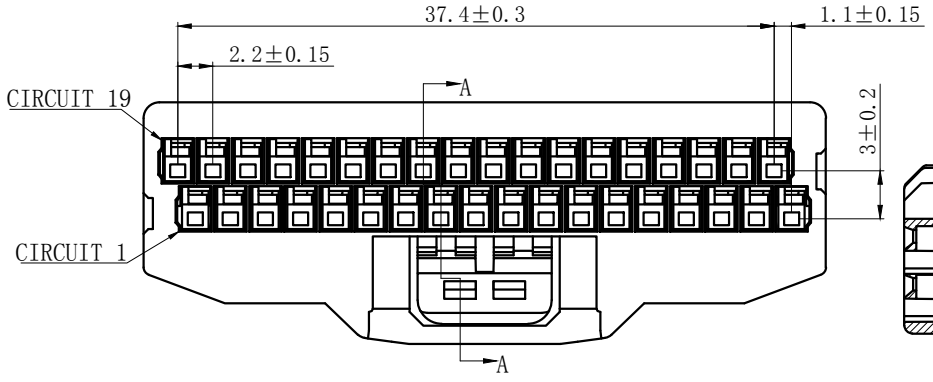
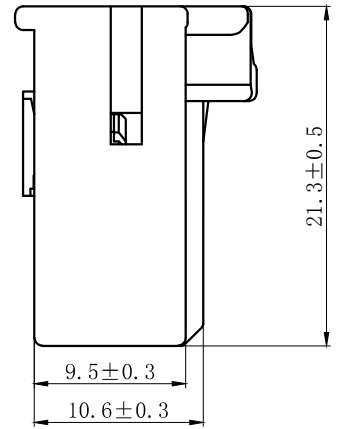
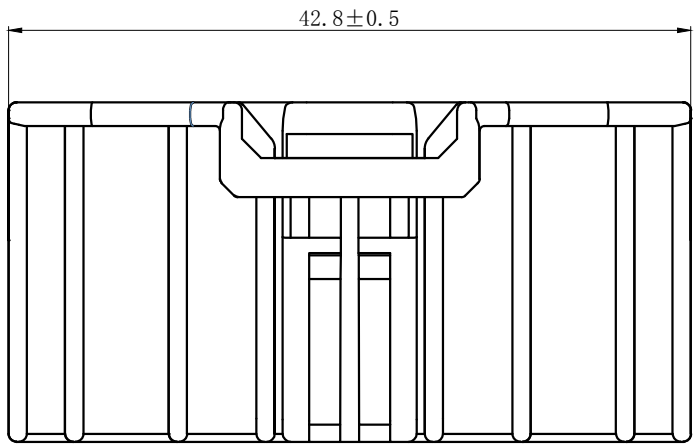
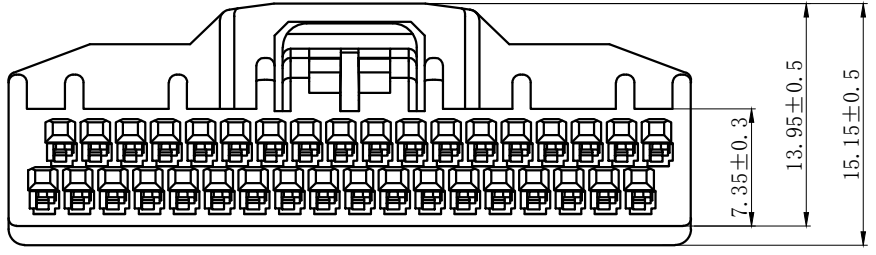
|    |    |    |     |    |
|----|----|----|-----|----|
| 2  | ②  | 护圈 | PBT | 1  |
| 1  | ①  | 基座 | PBT | 1  |
| 序号 | 图号 | 名称 | 材料  | 数量 |

| GENERAL TOLERANCES (UNLESS SPECIFIED) |               | ZHE JIANG DELI CONNECTORS CO., LTD      |                                 |
|---------------------------------------|---------------|---|---------------------------------|
| .X: ± 0.25                            | X° : ± 3.0°   | PRODUCT NAME:<br><b>DL22002(QB)-32Y</b> | TITLE:<br>2.00 mm Pitch Housing |
| .XX: ± 0.15                           | .X° : ± 2.0°  | DR:Chen Quan Long                       | DATE:23/08/01                   |
| .XXX: ± 0.01                          | .XX° : ± 1.0° | CHKD: Wu Hui                            | DATE:23/08/01                   |
| FINISH:                               |               | APPD:Ren An De                          | DATE:23/08/01                   |
| DRAWING NO:                           |               |   | PART NO:                        |
|                                       |               |   | SCALE: N/A                      |
|                                       |               |   | PAGE: 1/1                       |
|                                       |               |   | UNITS: mm                       |
|                                       |               |   | REV. : A                        |

| REV. | REVISION DESCRIPTION | DATE | APPD |
|------|----------------------|------|------|
|      |                      |      |      |

# NOTES

Available in 36 Circuits.  
 Match with DL22002 series housing.  
 Material : PBT UL94-V0.  
 Accepts DL22002-T Crimp Terminal.

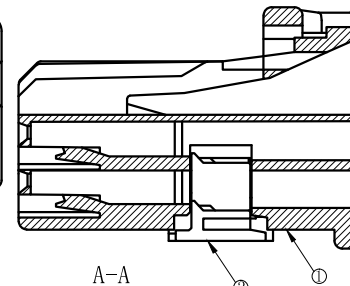
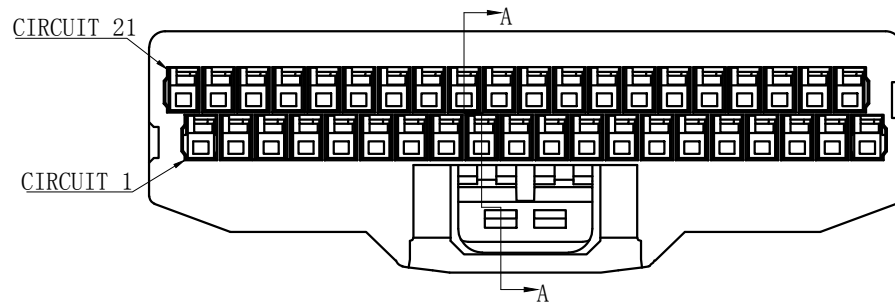
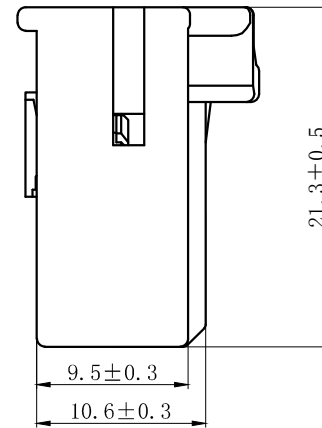
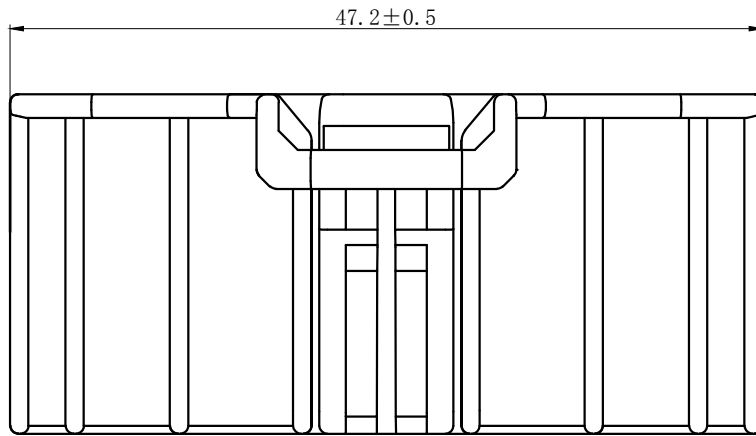
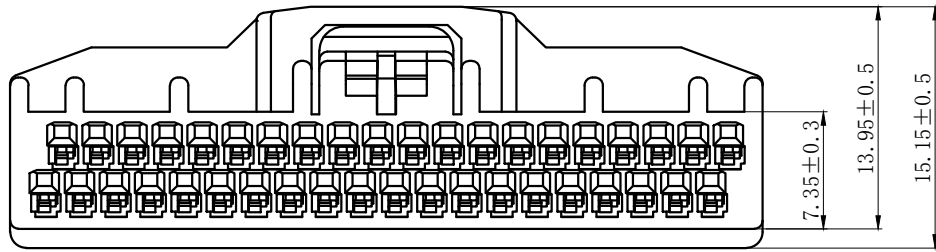


| GENERAL TOLERANCES (UNLESS SPECIFIED) |              | ZHE JIANG DELI CONNECTORS CO., LTD |                       |
|---------------------------------------|--------------|------------------------------------|-----------------------|
| .X: ± 0.25                            | X°: ± 3.0°   | PRODUCT NAME:                      | TITLE:                |
| .XX: ± 0.15                           | .X°: ± 2.0°  | DL22002(QB)-36Y                    | 2.00 mm Pitch Housing |
| .XXX: ± 0.01                          | .XX°: ± 1.0° | DR: Chen Quan Long                 | DATE: 23/08/01        |
| FINISH:                               |              | CHKD: Wu Hui                       | DATE: 23/08/01        |
| DRAWING NO:                           |              | APPD: Ren An De                    | DATE: 23/08/01        |
|                                       |              | SCALE: N/A                         | PAGE: 1/1             |
|                                       |              | UNITS: mm                          | REV.: A               |

| REV. | REVISION DESCRIPTION | DATE | APPD |
|------|----------------------|------|------|
|      |                      |      |      |

# NOTES

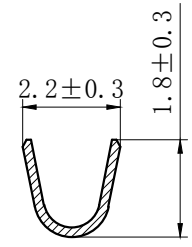
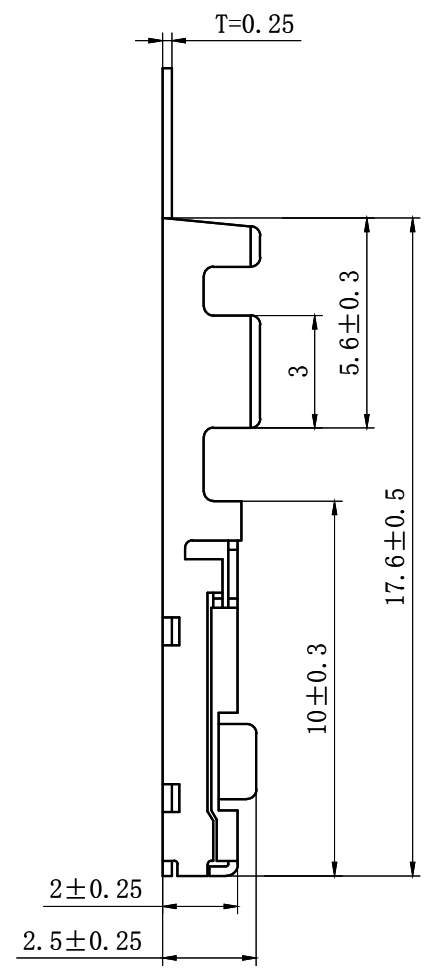
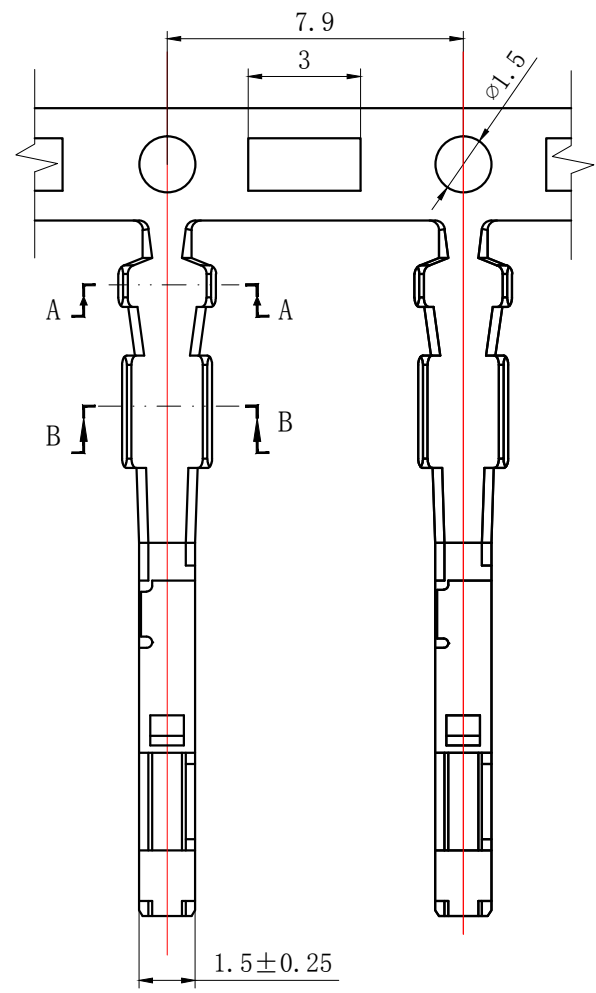
Available in 40 Circuits.  
 Match with DL22002 series housing.  
 Material : PBT UL94-V0.  
 Accepts DL22002-T Crimp Terminal.



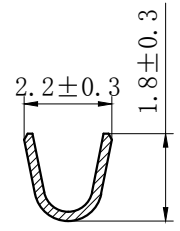
|    |    |    |     |    |
|----|----|----|-----|----|
| 2  | ②  | 护圈 | PBT | 1  |
| 1  | ①  | 基座 | PBT | 1  |
| 序号 | 图号 | 名称 | 材料  | 数量 |

| GENERAL TOLERANCES (UNLESS SPECIFIED) |              | ZHE JIANG DELI CONNECTORS CO., LTD      |                                 |
|---------------------------------------|--------------|---|---------------------------------|
| .X: ± 0.25                            | X°: ± 3.0°   | PRODUCT NAME:<br><b>DL22002(QB)-40Y</b> | TITLE:<br>2.00 mm Pitch Housing |
| .XX: ± 0.15                           | .X°: ± 2.0°  | DR:Chen Quan Long                       | DATE:23/08/01                   |
| .XXX: ± 0.01                          | .XX°: ± 1.0° | CHKD: Wu Hui                            | DATE:23/08/01                   |
| FINISH:                               |              | APPD:Ren An De                          | DATE:23/08/01                   |
| DRAWING NO:                           |              |   |                                 |
|                                       |              |   | PART NO:                        |
|                                       |              |   | SCALE: N/A                      |
|                                       |              |   | PAGE: 1/1                       |
|                                       |              |   | UNITS: mm                       |
|                                       |              |   | REV.: A                         |

| REV. | REVISION DESCRIPTION | DATE | APPD |
|------|----------------------|------|------|
|      |                      |      |      |



SECTION A-A



SECTION B-B

## NOTES

- Used in DL22002-Y Series Housing.
- Accepts AWG #26~24 Wire Range.
- Material : Phosphor Bronze .
- Finish: Tin plated.
- Thickness: 0.25 mm.

| GENERAL TOLERANCES<br>(UNLESS SPECIFIED) |                        | ZHE JIANG DELI CONNECTORS CO., LTD     |   |
|--|------------------------|--|---|
| .X: $\pm 0.25$                           | X° : $\pm 3.0^\circ$   | PRODUCT NAME:<br><b>DL22002 (QB)-T</b> | TITLE:<br>2.20 mm Pitch<br>Crimp Terminal |
| .XX: $\pm 0.15$                          | .X° : $\pm 2.0^\circ$  | DR: Chen Quan Long                     | DATE: 22/08/01                            |
| .XXX: $\pm 0.01$                         | .XX° : $\pm 1.0^\circ$ | CHKD: Wu Hui                           | DATE: 22/08/01                            |
| DRAWING NO:                              |                        | APPD: Ren An De                        | DATE: 22/08/01                            |
|  |                        | SCALE: N/A                             | PAGE: 1/1                                 |
|  |                        | UNITS: mm                              | REV.: A                                   |

## X-ON Electronics

Largest Supplier of Electrical and Electronic Components

*Click to view similar products for [Headers & Wire Housings](#) category:*

*Click to view products by [DLL](#) manufacturer:*

Other Similar products are found below :

[0015917161](#) [0022155065](#) [57102-F02-18ULF](#) [58102-G61-06LF](#) [582553-1](#) [01.001.5753.1](#) [0050291907](#) [02.125.8002.8](#) [609-3404](#) [61062-3](#)  
[CSU011177004](#) [622-0430](#) [622-3653LF](#) [63453-116](#) [636-1030](#) [636-1427](#) [636-3427](#) [636-4007](#) [641938-9](#) [65495-038](#) [65692-001LF](#) [65781-018](#)  
[65781-047](#) [65817-010LF](#) [65817-015LF](#) [67095-007LF](#) [67601157](#) [68631-112](#) [68645-018](#) [699319-000](#) [70.362.1628.0](#) [70-4210](#) [70-4226B](#) [70-](#)  
[4853B](#) [71.350.2428.0](#) [733-134](#) [733-162](#) [MHR-64-VUAL](#) [80.063.4001.1](#) [800-90-001-10-001000](#) [801-43-002-10-013000](#) [801-43-006-10-](#)  
[002000](#) [803-43-024-10-001000](#) [803-93-012-10-001000](#) [8-1437020-4](#) [819-22-004-30-001101](#) [820-22-006-30-001101](#) [820-22-008-30-001101](#)  
[821-22-002-10-001101](#) [821-22-003-10-002101](#)