

技术特性/Specifications:

额定电压 Rated voltage: 50V AC, DC
 额定电流 Rated current: 1A AC, DC
 接触电阻 Contact resistance: 20mΩ max
 绝缘电阻 Insulation resistance: 100MΩ min
 耐压 Withstand voltage: 500V AC/minute
 环境温度 Ambient temperature: -35°C~+105°C
 适用线规 Wire range: AWG#32~#28

标准/Standard:

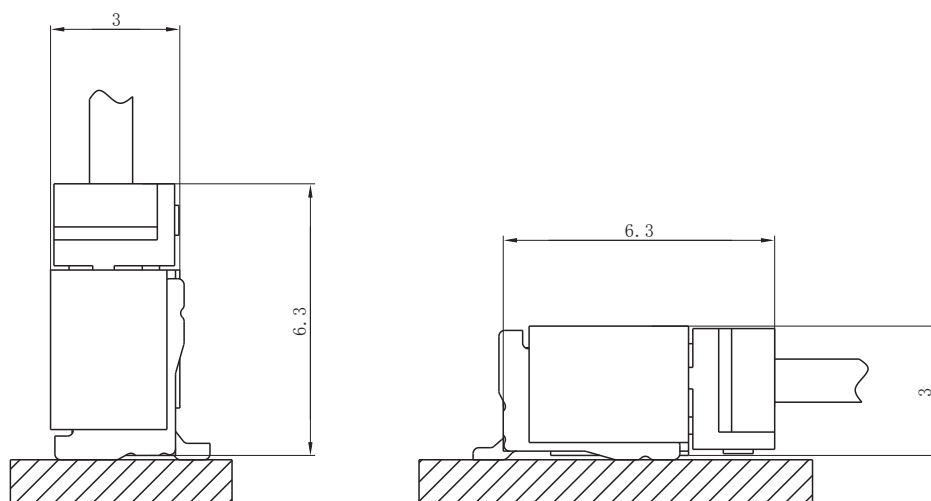


详细参数请咨询:

- E-mail: manager@zjdll.com
- E-mail: technical-support@zjdll.com
- WeChat: 13867778918

PC电路板布局和组件布局 PC board layout and Assembly layout

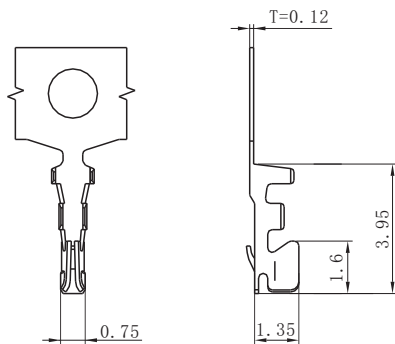
□ Assembly layout (装配布局)



上图连接器安装侧观察图

Notes: The above figure is the figure viewed from the connector mounting side.

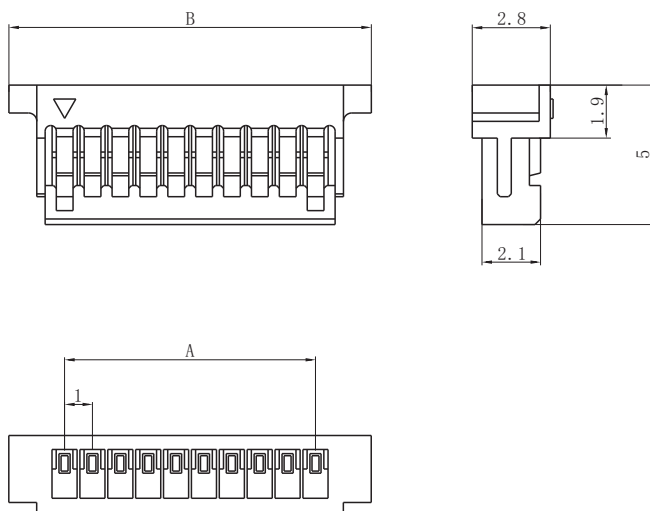
□ DL10001-T (SH-T)



| Model No. (型号) | Applicable wire (适用线规) | | | Material (材料) | Plating (电镀) | Qty/reel (数量/盘) |
|------------------|------------------------|-------|--------------------------|-----------------------|-----------------|-----------------|
| | mm ² | AWG# | Insulation O.D. (绝缘外径mm) | | | |
| DL10001-T (SH-T) | 0.032~0.08 | 32~28 | φ 0.4~0.8 | Phosphor bronze (磷青铜) | Tin Plated (镀锡) | 15000 |

符合RoHS标准
RoHS compliance

□ DL10001-Y (SH-Y)



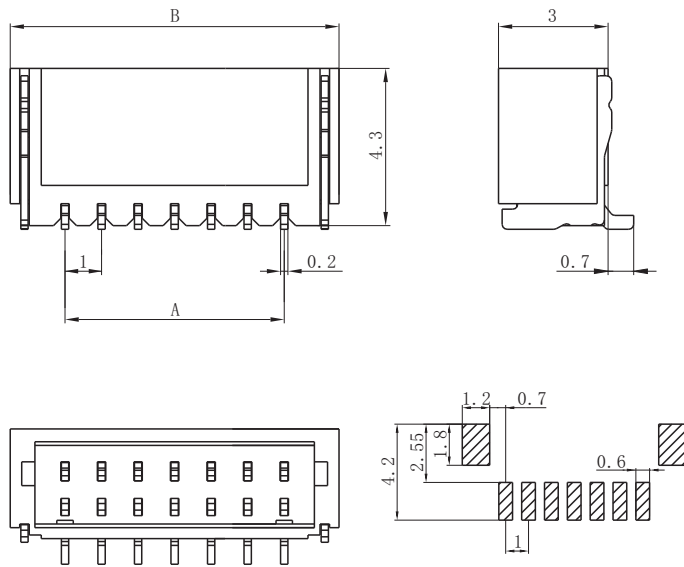
| Circuits (电路) | Product name (产品名称) | Dimensions (尺寸mm) | |
|---------------|---------------------|-------------------|-------|
| | | A | B |
| 2 | SH-2Y | 1.00 | 5.00 |
| 3 | SH-3Y | 2.00 | 6.00 |
| 4 | SH-4Y | 3.00 | 7.00 |
| 5 | SH-5Y | 4.00 | 8.00 |
| 6 | SH-6Y | 5.00 | 9.00 |
| 7 | SH-7Y | 6.00 | 10.00 |
| 8 | SH-8Y | 7.00 | 11.00 |
| 9 | SH-9Y | 8.00 | 12.00 |
| 10 | SH-10Y | 9.00 | 13.00 |
| 11 | SH-11Y | 10.00 | 14.00 |
| 12 | SH-12Y | 11.00 | 15.00 |
| 13 | SH-13Y | 12.00 | 16.00 |
| 14 | SH-14Y | 13.00 | 17.00 |
| 15 | SH-15Y | 14.00 | 18.00 |
| 16 | SH-16Y | 15.00 | 19.00 |

Material (材料)

Housing (胶壳): PBT UL94V-0

符合RoHS标准
RoHS compliance

□ DL10001-AB (SH-AB)



| Circuits (电路) | Product name (产品名称) | Dimensions (尺寸mm) | |
|------------------|------------------------|-------------------|-------|
| | | A | B |
| 2 | SH-2AB | 1.00 | 4.00 |
| 3 | SH-3AB | 2.00 | 5.00 |
| 4 | SH-4AB | 3.00 | 6.00 |
| 5 | SH-5AB | 4.00 | 7.00 |
| 6 | SH-6AB | 5.00 | 8.00 |
| 7 | SH-7AB | 6.00 | 9.00 |
| 8 | SH-8AB | 7.00 | 10.00 |
| 9 | SH-9AB | 8.00 | 11.00 |
| 10 | SH-10AB | 9.00 | 12.00 |
| 11 | SH-11AB | 10.00 | 13.00 |
| 12 | SH-12AB | 11.00 | 14.00 |
| 13 | SH-13AB | 12.00 | 15.00 |
| 14 | SH-14AB | 13.00 | 16.00 |
| 15 | SH-15AB | 14.00 | 17.00 |
| 16 | SH-16AB | 15.00 | 18.00 |

Material (材料)

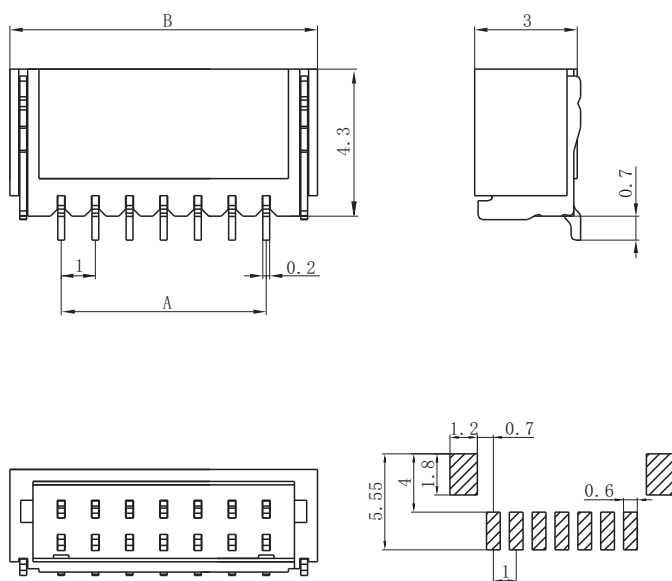
Housing (胶壳): LCP UL94V-0

Wafer (接触件): Phosphor bronze (磷青铜) / Tin plated (镀锡)

Solder tabs (焊片): Phosphor bronze (磷青铜) / Tin plated (镀锡)

符合RoHS标准
RoHS compliance

□ DL10001-AWB (SH-AWB)



| Circuits (电路) | Product name (产品名称) | Dimensions (尺寸mm) | |
|------------------|------------------------|-------------------|-------|
| | | A | B |
| 2 | SH-2AWB | 1.00 | 4.00 |
| 3 | SH-3AWB | 2.00 | 5.00 |
| 4 | SH-4AWB | 3.00 | 6.00 |
| 5 | SH-5AWB | 4.00 | 7.00 |
| 6 | SH-6AWB | 5.00 | 8.00 |
| 7 | SH-7AWB | 6.00 | 9.00 |
| 8 | SH-8AWB | 7.00 | 10.00 |
| 9 | SH-9AWB | 8.00 | 11.00 |
| 10 | SH-10AWB | 9.00 | 12.00 |
| 11 | SH-11AWB | 10.00 | 13.00 |
| 12 | SH-12AWB | 11.00 | 14.00 |
| 13 | SH-13AWB | 12.00 | 15.00 |
| 14 | SH-14AWB | 13.00 | 16.00 |
| 15 | SH-15AWB | 14.00 | 17.00 |
| 16 | SH-16AWB | 15.00 | 18.00 |

Material (材料)

Housing (胶壳): LCP UL94V-0

Wafer (接触件): Phosphor bronze (磷青铜) / Tin plated (镀锡)

Solder tabs (焊片): Phosphor bronze (磷青铜) / Tin plated (镀锡)

符合RoHS标准
RoHS compliance

X-ON Electronics

Largest Supplier of Electrical and Electronic Components

Click to view similar products for [Headers & Wire Housings](#) category:

Click to view products by [DLL](#) manufacturer:

Other Similar products are found below :

[0015917161](#) [0022155065](#) [57102-F02-18ULF](#) [58102-G61-06LF](#) [582553-1](#) [01.001.5753.1](#) [0050291907](#) [02.125.8002.8](#) [609-3404](#) [61062-3](#)
[CSU011177004](#) [622-0430](#) [622-3653LF](#) [63453-116](#) [636-1030](#) [636-1427](#) [636-3427](#) [636-4007](#) [641938-9](#) [65495-038](#) [65692-001LF](#) [65781-018](#)
[65781-047](#) [65817-010LF](#) [65817-015LF](#) [67095-007LF](#) [67601157](#) [68631-112](#) [68645-018](#) [699319-000](#) [70.362.1628.0](#) [70-4210](#) [70-4226B](#) [70-](#)
[4853B](#) [71.350.2428.0](#) [733-134](#) [733-162](#) [760-3052](#) [MHR-64-VUAL](#) [80.063.4001.1](#) [800-90-001-10-001000](#) [801-43-002-10-013000](#)
[801-43-006-10-002000](#) [803-43-024-10-001000](#) [803-93-012-10-001000](#) [8-1437020-4](#) [819-22-004-30-001101](#) [820-22-006-30-001101](#)
[820-22-008-30-001101](#) [821-22-002-10-001101](#)