

技术特性/Specifications:

额定电压 Rated voltage: 50V AC, DC
 额定电流 Rated current: 1A AC, DC
 接触电阻 Contact resistance: 20mΩ max
 绝缘电阻 Insulation resistance: 100MΩ min
 耐压 Withstand voltage: 500V AC/minute
 环境温度 Ambient temperature: -35°C~+105°C
 适用线规 Wire range: AWG#32~#28

标准/Standard:

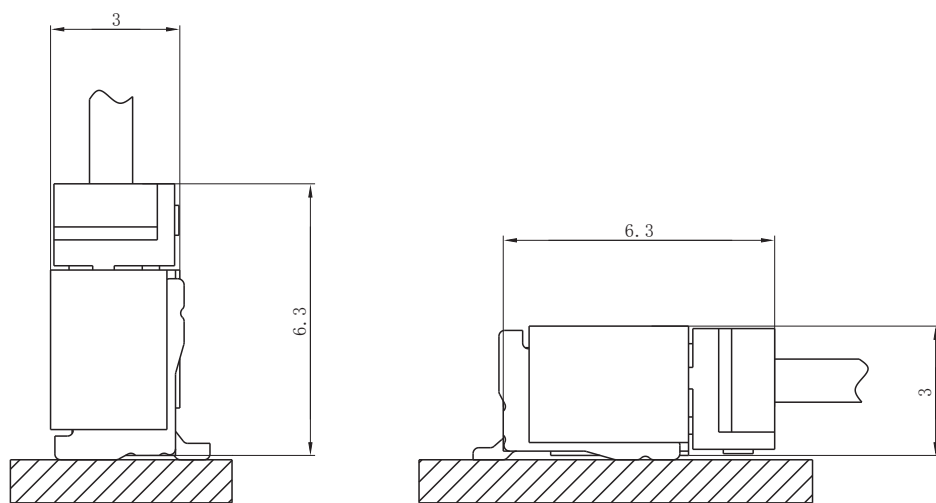


详细参数请咨询:

- E-mail: manager@zjdll.com
- E-mail: technical-support@zjdll.com
- WeChat: 13867778918

PC电路板布局和组件布局 PC board layout and Assembly layout

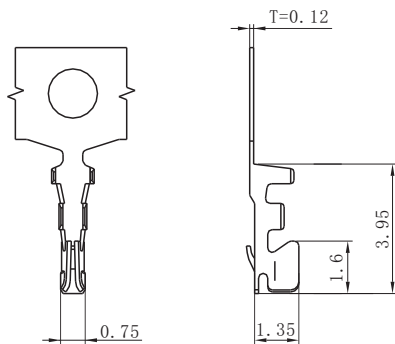
▣ Assembly layout (装配布局)



上图为连接器安装侧观察图

Notes: The above figure is the figure viewed from the connector mounting side.

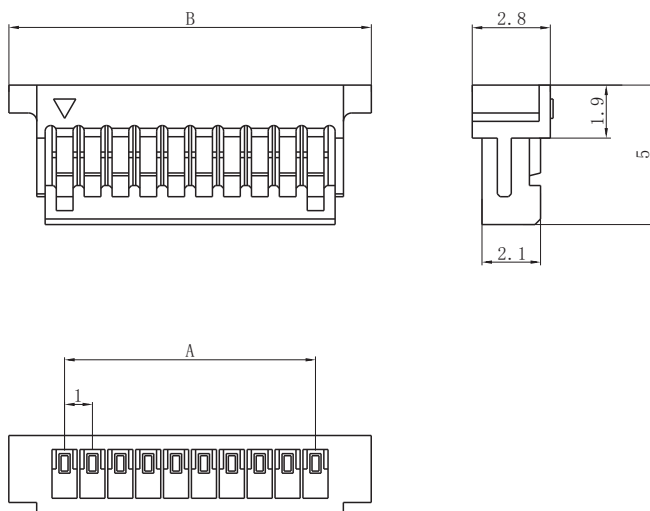
□ DL10001-T (SH-T)



Model No. (型号)	Applicable wire (适用线规)			Material (材料)	Plating (电镀)	Qty/reel (数量/盘)
	mm ²	AWG#	Insulation O.D. (绝缘外径mm)			
DL10001-T (SH-T)	0.032~0.08	32~28	φ 0.4~0.8	Phosphor bronze (磷青铜)	Tin Plated (镀锡)	15000

符合RoHS标准
RoHS compliance

□ DL10001-Y (SH-Y)



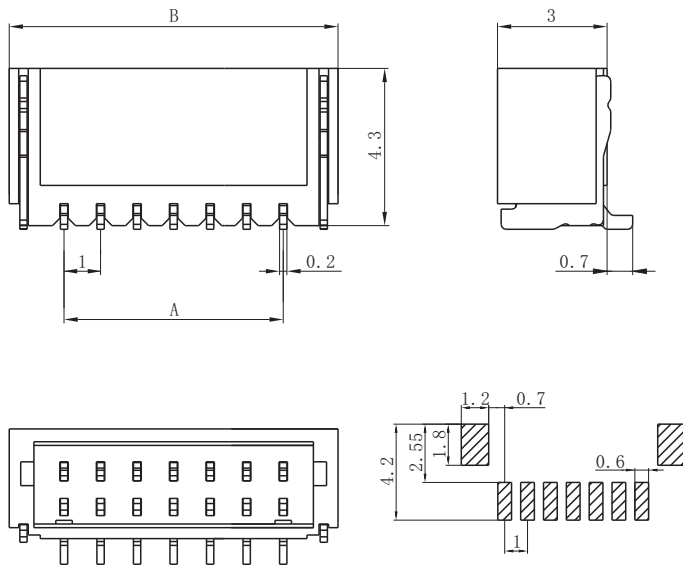
Circuits (电路)	Product name (产品名称)	Dimensions (尺寸mm)	
		A	B
2	SH-2Y	1.00	5.00
3	SH-3Y	2.00	6.00
4	SH-4Y	3.00	7.00
5	SH-5Y	4.00	8.00
6	SH-6Y	5.00	9.00
7	SH-7Y	6.00	10.00
8	SH-8Y	7.00	11.00
9	SH-9Y	8.00	12.00
10	SH-10Y	9.00	13.00
11	SH-11Y	10.00	14.00
12	SH-12Y	11.00	15.00
13	SH-13Y	12.00	16.00
14	SH-14Y	13.00	17.00
15	SH-15Y	14.00	18.00
16	SH-16Y	15.00	19.00

Material (材料)

Housing (胶壳): PBT UL94V-0

符合RoHS标准
RoHS compliance

□ DL10001-AB (SH-AB)



Circuits (电路)	Product name (产品名称)	Dimensions (尺寸mm)	
		A	B
2	SH-2AB	1.00	4.00
3	SH-3AB	2.00	5.00
4	SH-4AB	3.00	6.00
5	SH-5AB	4.00	7.00
6	SH-6AB	5.00	8.00
7	SH-7AB	6.00	9.00
8	SH-8AB	7.00	10.00
9	SH-9AB	8.00	11.00
10	SH-10AB	9.00	12.00
11	SH-11AB	10.00	13.00
12	SH-12AB	11.00	14.00
13	SH-13AB	12.00	15.00
14	SH-14AB	13.00	16.00
15	SH-15AB	14.00	17.00
16	SH-16AB	15.00	18.00

Material (材料)

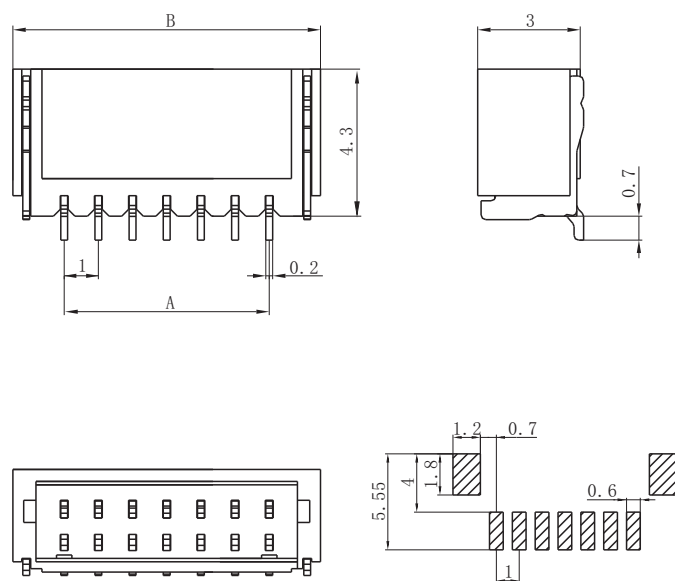
Housing (胶壳): LCP UL94V-0

Wafer (接触件): Phosphor bronze (磷青铜)/Tin plated (镀锡)

Solder tabs (焊片): Phosphor bronze (磷青铜)/Tin plated (镀锡)

符合RoHS标准
RoHS compliance

□ DL10001-AWB (SH-AWB)



Circuits (电路)	Product name (产品名称)	Dimensions (尺寸mm)	
		A	B
2	SH-2AWB	1.00	4.00
3	SH-3AWB	2.00	5.00
4	SH-4AWB	3.00	6.00
5	SH-5AWB	4.00	7.00
6	SH-6AWB	5.00	8.00
7	SH-7AWB	6.00	9.00
8	SH-8AWB	7.00	10.00
9	SH-9AWB	8.00	11.00
10	SH-10AWB	9.00	12.00
11	SH-11AWB	10.00	13.00
12	SH-12AWB	11.00	14.00
13	SH-13AWB	12.00	15.00
14	SH-14AWB	13.00	16.00
15	SH-15AWB	14.00	17.00
16	SH-16AWB	15.00	18.00

Material (材料)

Housing (胶壳): LCP UL94V-0

Wafer (接触件): Phosphor bronze (磷青铜)/Tin plated (镀锡)

Solder tabs (焊片): Phosphor bronze (磷青铜)/Tin plated (镀锡)

符合RoHS标准
RoHS compliance

X-ON Electronics

Largest Supplier of Electrical and Electronic Components

Click to view similar products for [Headers & Wire Housings](#) category:

Click to view products by [DLL](#) manufacturer:

Other Similar products are found below :

[0015917161](#) [0022155065](#) [57102-F02-18ULF](#) [58102-G61-06LF](#) [582553-1](#) [01.001.5753.1](#) [0050291907](#) [02.125.8002.8](#) [609-3404](#) [61062-3](#)
[CSU011177004](#) [622-0430](#) [622-3653LF](#) [63453-116](#) [636-1030](#) [636-1427](#) [636-3427](#) [636-4007](#) [641938-9](#) [65495-038](#) [65692-001LF](#) [65781-018](#)
[65781-047](#) [65817-010LF](#) [65817-015LF](#) [67095-007LF](#) [67601157](#) [68631-112](#) [68645-018](#) [699319-000](#) [70.362.1628.0](#) [70-4210](#) [70-4226B](#) [70-](#)
[4853B](#) [71.350.2428.0](#) [733-134](#) [733-162](#) [MHR-64-VUAL](#) [80.063.4001.1](#) [800-90-001-10-001000](#) [801-43-002-10-013000](#) [801-43-006-10-](#)
[002000](#) [803-43-024-10-001000](#) [803-93-012-10-001000](#) [8-1437020-4](#) [819-22-004-30-001101](#) [820-22-006-30-001101](#) [820-22-008-30-001101](#)
[821-22-002-10-001101](#) [821-22-003-10-002101](#)