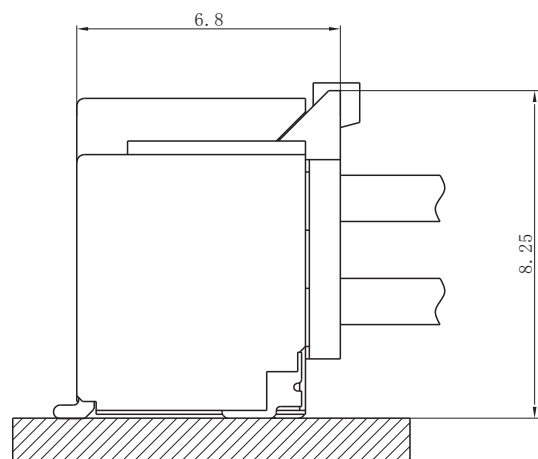
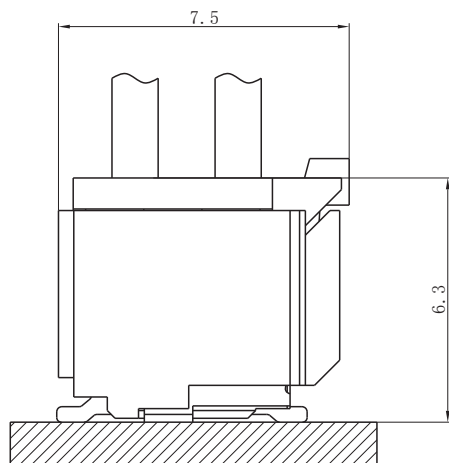


**技术特性/Specifications:**

额定电压 Rated voltage: 100V AC, DC  
 额定电流 Rated current: 1A AC, DC  
 接触电阻 Contact resistance: 20mΩ max  
 绝缘电阻 Insulation resistance: 100MΩ min  
 耐压 Withstand voltage: 300V AC/minute  
 环境温度 Ambient temperature: -35°C~+105°C  
 适用线规 Wire range: AWG#32~#28

**PC电路板布局和组件布局 PC board layout and Assembly layout**

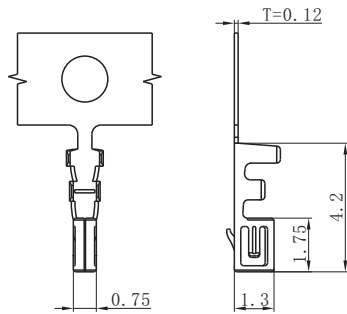
□ Assembly layout (装配布局)



上图为连接器安装侧观察图

Notes: The above figure is the figure viewed from the connector mounting side.

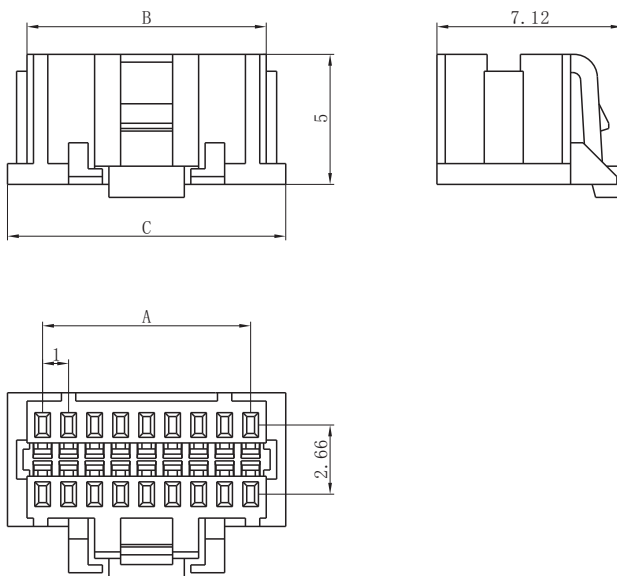
□ DL10015-T-M (SHB-T-M)



Model No. (型号)	Applicable wire (适用线规)			Material (材料)	Plating (电镀)	Qty/reel (数量/盘)
	mm <sup>2</sup>	AWG#	Insulation O.D. (绝缘外径mm)			
DL10015-T-M (SHB-T-M)	0.032~0.08	32~28	Φ 0.4~0.8	Phosphor bronze (磷青铜)	Tin Plated (镀锡)	15000

符合RoHS标准  
RoHS compliance

□ DL10015-Y-M (SHB-Y-M)



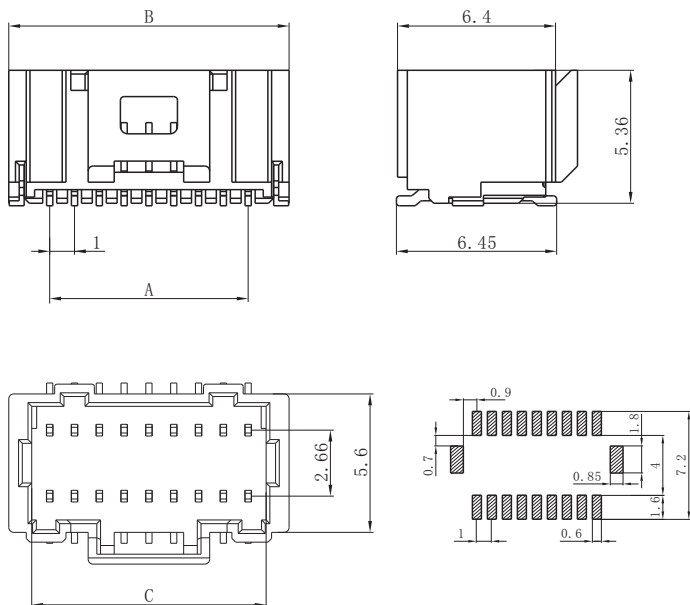
Circuits (电路)	Product name (产品名称)	Dimensions (尺寸mm)		
		A	B	C
2X2	SHB-4Y-M	1.00	2.20	3.70
2X3	SHB-6Y-M	2.00	3.20	4.70
2X4	SHB-8Y-M	3.00	4.20	5.70
2X5	SHB-10Y-M	4.00	5.20	6.70
2X6	SHB-12Y-M	5.00	6.20	7.70
2X7	SHB-14Y-M	6.00	7.20	8.70
2X8	SHB-16Y-M	7.00	8.20	9.70
2X9	SHB-18Y-M	8.00	9.20	10.70
2X10	SHB-20Y-M	9.00	10.20	11.70
2X11	SHB-22Y-M	10.00	11.20	12.70
2X12	SHB-24Y-M	11.00	12.20	13.70
2X13	SHB-26Y-M	12.00	13.20	14.70
2X14	SHB-28Y-M	13.00	14.20	15.70
2X15	SHB-30Y-M	14.00	15.20	16.70
2X16	SHB-32Y-M	15.00	16.20	17.70
2X17	SHB-34Y-M	16.00	17.20	18.70
2X18	SHB-36Y-M	17.00	18.20	19.70
~	~	~	~	~
2X30	SHB-60Y-M	29.00	30.20	31.7

Material (材料)

Housing (胶壳): PBT UL94V-0

符合RoHS标准  
RoHS compliance

□ DL10015-AB-M (SHB-AB-M)



Circuits (电路)	Product name (产品名称)	Dimensions (尺寸mm)		
		A	B	C
2X2	SHB-4AB-M	1.00	4.30	2.45
2X3	SHB-6AB-M	2.00	5.30	3.45
2X4	SHB-8AB-M	3.00	6.30	4.45
2X5	SHB-10AB-M	4.00	7.30	5.45
2X6	SHB-12AB-M	5.00	8.30	6.45
2X7	SHB-14AB-M	6.00	9.30	7.45
2X8	SHB-16AB-M	7.00	10.30	8.45
2X9	SHB-18AB-M	8.00	11.30	9.45
2X10	SHB-20AB-M	9.00	12.30	10.45
2X11	SHB-22AB-M	10.00	13.30	11.45
2X12	SHB-24AB-M	11.00	14.30	12.45
2X13	SHB-26AB-M	12.00	15.30	13.45
2X14	SHB-28AB-M	13.00	16.30	14.45
2X15	SHB-30AB-M	14.00	17.30	15.45
2X16	SHB-32AB-M	15.00	18.30	16.45
2X17	SHB-34AB-M	16.00	19.30	17.45
2X18	SHB-36AB-M	17.00	20.30	18.45
~	~	~	~	~
2X30	SHB-60AB-M	29.00	32.30	30.45

Material (材料)

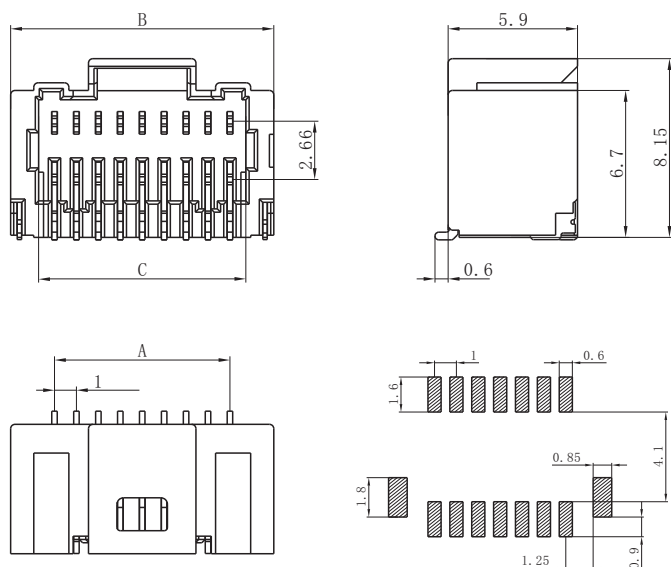
Housing (胶壳): LCP UL94V-0

Wafer (接触件): Phosphor bronze (磷青铜) / Tin plated (镀锡)

Solder tabs (焊片): Brass (黄铜) / Tin plated (镀锡)

符合RoHS标准  
RoHS compliance

□ DL10015-AWB-M (SHB-AWB-M)



Circuits (电路)	Product name (产品名称)	Dimensions (尺寸mm)		
		A	B	C
2X2	SHB-4AWB-M	1.00	5.00	2.45
2X3	SHB-6AWB-M	2.00	6.00	3.45
2X4	SHB-8AWB-M	3.00	7.00	4.45
2X5	SHB-10AWB-M	4.00	8.00	5.45
2X6	SHB-12AWB-M	5.00	9.00	6.45
2X7	SHB-14AWB-M	6.00	10.00	7.45
2X8	SHB-16AWB-M	7.00	11.00	8.45
2X9	SHB-18AWB-M	8.00	12.00	9.45
2X10	SHB-20AWB-M	9.00	13.00	10.45
2X11	SHB-22AWB-M	10.00	14.00	11.45
2X12	SHB-24AWB-M	11.00	15.00	12.45
2X13	SHB-26AWB-M	12.00	16.00	13.45
2X14	SHB-28AWB-M	13.00	17.00	14.45
2X15	SHB-30AWB-M	14.00	18.00	15.45
2X16	SHB-32AWB-M	15.00	19.00	16.45
2X17	SHB-34AWB-M	16.00	20.00	17.45
2X18	SHB-36AWB-M	17.00	21.00	18.45
~	~	~	~	~
2X30	SHB-60AWB-M	29.00	33.00	30.45

Material (材料)

Housing (胶壳): LCP UL94V-0

Wafer (接触件): Phosphor bronze (磷青铜) / Tin plated (镀锡)

Solder tabs (焊片): Brass (黄铜) / Tin plated (镀锡)

符合RoHS标准  
RoHS compliance

## X-ON Electronics

Largest Supplier of Electrical and Electronic Components

*Click to view similar products for [Headers & Wire Housings](#) category:*

*Click to view products by [DLL](#) manufacturer:*

Other Similar products are found below :

[0015917161](#) [0022155065](#) [57102-F02-18ULF](#) [58102-G61-06LF](#) [582553-1](#) [01.001.5753.1](#) [0050291907](#) [02.125.8002.8](#) [609-3404](#) [61062-3](#)  
[CSU011177004](#) [622-0430](#) [622-3653LF](#) [63453-116](#) [636-1030](#) [636-1427](#) [636-3427](#) [636-4007](#) [641938-9](#) [65495-038](#) [65692-001LF](#) [65781-018](#)  
[65781-047](#) [65817-010LF](#) [65817-015LF](#) [67095-007LF](#) [67601157](#) [68631-112](#) [68645-018](#) [699319-000](#) [70.362.1628.0](#) [70-4210](#) [70-4226B](#) [70-](#)  
[4853B](#) [71.350.2428.0](#) [733-134](#) [733-162](#) [760-3052](#) [MHR-64-VUAL](#) [80.063.4001.1](#) [800-90-001-10-001000](#) [801-43-002-10-013000](#)  
[801-43-006-10-002000](#) [803-43-024-10-001000](#) [803-93-012-10-001000](#) [8-1437020-4](#) [819-22-004-30-001101](#) [820-22-006-30-001101](#)  
[820-22-008-30-001101](#) [821-22-002-10-001101](#)