

技术特性/Specifications:

额定电压 Rated voltage: 50V AC, DC
 额定电流 Rated current: 1A AC, DC
 接触电阻 Contact resistance: 20mΩ max
 绝缘电阻 Insulation resistance: 100MΩ min
 耐压 Withstand voltage: 500V AC/minute
 环境温度 Ambient temperature: -25°C~+85°C
 适用线规 Wire range: AWG#32~#28

标准/Standard:

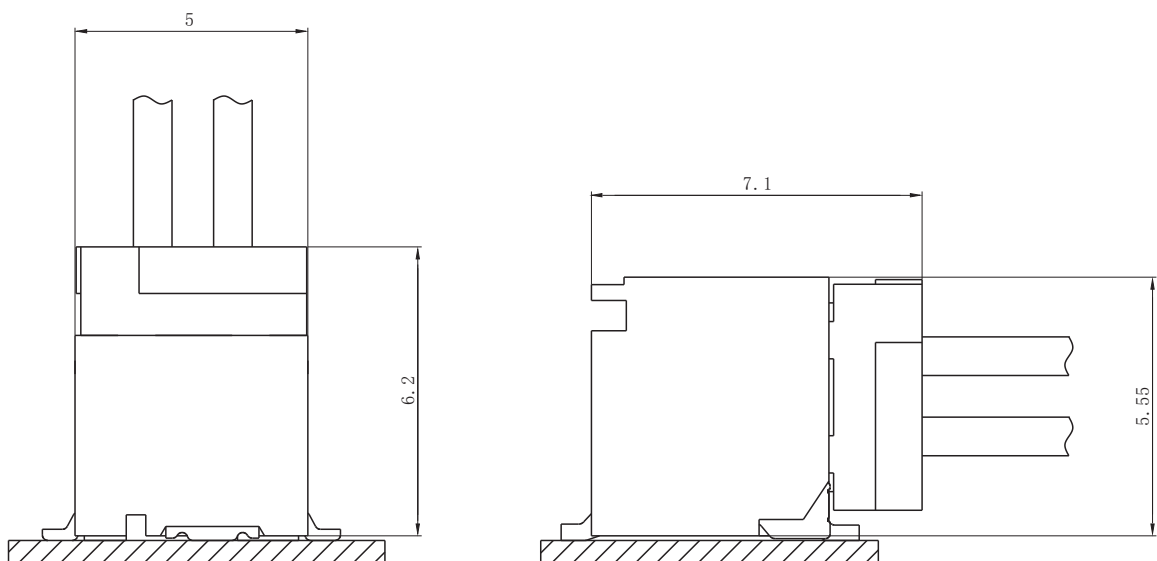


详细参数请咨询:

- E-mail: manager@zjdll.com
- E-mail: technical-support@zjdll.com
- WeChat: 13867778918

PC电路板布局和组件布局 PC board layout and Assembly layout

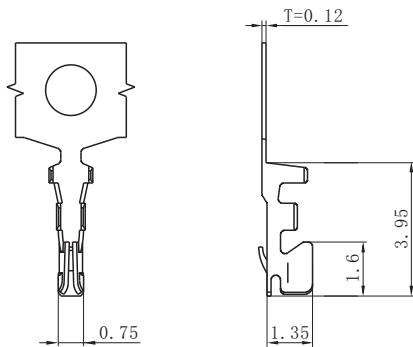
□ Assembly layout (装配布局)



上图为连接器安装侧观察图

Notes: The above figure is the figure viewed from the connector mounting side.

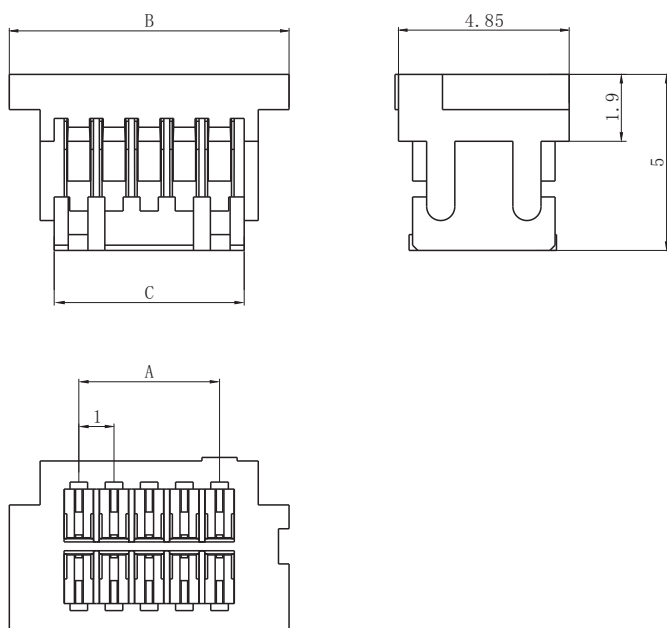
□ DL10012-T (SHD-T)



Model No. (型号)	Applicable wire (适用线规)			Material (材料)	Plating (电镀)	Qty/reel (数量/盘)
	mm ²	AWG#	Insulation O.D. (绝缘外径mm)			
DL10012-T-GOLD (SHD-T-GOLD)	0.032~0.08	32~28	φ 0.4~0.8	Phosphor bronze (磷青铜)	Gold Plated (镀金)	15000

符合RoHS标准
RoHS compliance

□ DL10012-Y (SHD-Y)



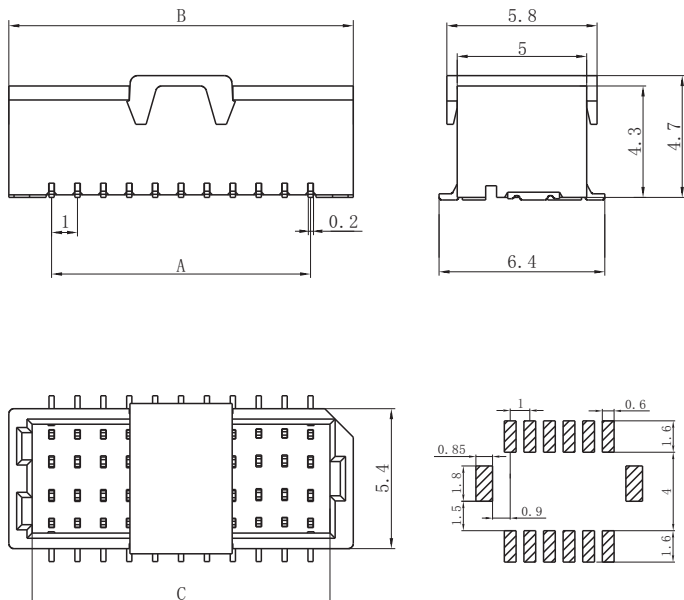
Circuits (电路)	Product name (产品名称)	Dimensions (尺寸mm)		
		A	B	C
2X2	SHD-4Y	1.00	5.00	2.40
2X3	SHD-6Y	2.00	6.00	3.40
2X4	SHD-8Y	3.00	7.00	4.40
2X5	SHD-10Y	4.00	8.00	5.40
2X6	SHD-12Y	5.00	9.00	6.40
2X7	SHD-14Y	6.00	10.00	7.40
2X8	SHD-16Y	7.00	11.00	8.40
2X9	SHD-18Y	8.00	12.00	9.40
2X10	SHD-20Y	9.00	13.00	10.40
2X11	SHD-22Y	10.00	14.00	11.40
2X12	SHD-24Y	11.00	15.00	12.40
2X13	SHD-26Y	12.00	16.00	13.40
2X14	SHD-28Y	13.00	17.00	14.40
2X15	SHD-30Y	14.00	18.00	15.40
2X16	SHD-32Y	15.00	19.00	16.40
2X17	SHD-34Y	16.00	20.00	17.40
2X18	SHD-36Y	17.00	21.00	18.40
~	~	~	~	~
2X30	SHD-60Y	29.00	33.00	30.40

Material (材料)

Housing (胶壳): Nylon (尼龙) UL94V-0 (2)

符合RoHS标准
RoHS compliance

DL10012-AB (SHD-AB)



Circuits (电路)	Product name (产品名称)	Dimensions (尺寸mm)		
		A	B	C
2X2	SHD-4AB	1.00	4.30	2.50
2X3	SHD-6AB	2.00	5.30	3.50
2X4	SHD-8AB	3.00	6.30	4.50
2X5	SHD-10AB	4.00	7.30	5.50
2X6	SHD-12AB	5.00	8.30	6.50
2X7	SHD-14AB	6.00	9.30	7.50
2X8	SHD-16AB	7.00	10.30	8.50
2X9	SHD-18AB	8.00	11.30	9.50
2X10	SHD-20AB	9.00	12.30	10.50
2X11	SHD-22AB	10.00	13.30	11.50
2X12	SHD-24AB	11.00	14.30	12.50
2X13	SHD-26AB	12.00	15.30	13.50
2X14	SHD-28AB	13.00	16.30	14.50
2X15	SHD-30AB	14.00	17.30	15.50
2X16	SHD-32AB	15.00	18.30	16.50
2X17	SHD-34AB	16.00	19.30	17.50
2X18	SHD-36AB	17.00	20.30	18.50
~	~	~	~	~
2X30	SHD-60AB	29.00	32.30	30.50

Material (材料)

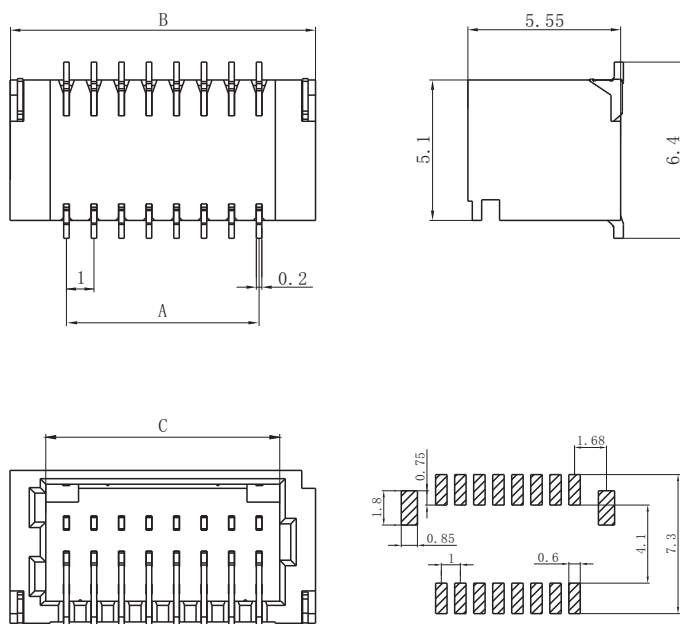
Housing (胶壳): LCP U194V-0

Wafer (接触件): Phosphor bronze (磷青铜) / Tin plated (镀锡)

Solder tabs (焊片): Brass (黄铜) / Tin plated (镀锡)

符合RoHS标准
RoHS compliance

DL10012-AWB (SHD-AWB)



Circuits (电路)	Product name (产品名称)	Dimensions (尺寸mm)		
		A	B	C
2X2	SHD-4AWB	1.00	4.30	2.50
2X3	SHD-6AWB	2.00	5.30	3.50
2X4	SHD-8AWB	3.00	6.30	4.50
2X5	SHD-10AWB	4.00	7.30	5.50
2X6	SHD-12AWB	5.00	8.30	6.50
2X7	SHD-14AWB	6.00	9.30	7.50
2X8	SHD-16AWB	7.00	10.30	8.50
2X9	SHD-18AWB	8.00	11.30	9.50
2X10	SHD-20AWB	9.00	12.30	10.50
2X11	SHD-22AWB	10.00	13.30	11.50
2X12	SHD-24AWB	11.00	14.30	12.50
2X13	SHD-26AWB	12.00	15.30	13.50
2X14	SHD-28AWB	13.00	16.30	14.50
2X15	SHD-30AWB	14.00	17.30	15.50
2X16	SHD-32AWB	15.00	18.30	16.50
2X17	SHD-34AWB	16.00	19.30	17.50
2X18	SHD-36AWB	17.00	20.30	18.50
~	~	~	~	~
2X30	SHD-60AWB	29.00	32.30	30.50

Material (材料)

Housing (胶壳): LCP UL94V-0

Wafer (接触件): Phosphor bronze (磷青铜) / Tin plated (镀锡)

Solder tabs (焊片): Brass (黄铜) / Tin plated (镀锡)

符合RoHS标准
RoHS compliance

X-ON Electronics

Largest Supplier of Electrical and Electronic Components

Click to view similar products for [Headers & Wire Housings](#) category:

Click to view products by [DLL](#) manufacturer:

Other Similar products are found below :

[0015917161](#) [0022155065](#) [57102-F02-18ULF](#) [58102-G61-06LF](#) [582553-1](#) [01.001.5753.1](#) [0050291907](#) [02.125.8002.8](#) [609-3404](#) [61062-3](#)
[CSU011177004](#) [622-0430](#) [622-3653LF](#) [63453-116](#) [636-1030](#) [636-1427](#) [636-3427](#) [636-4007](#) [641938-9](#) [65495-038](#) [65692-001LF](#) [65781-018](#)
[65781-047](#) [65817-010LF](#) [65817-015LF](#) [67095-007LF](#) [67601157](#) [68631-112](#) [68645-018](#) [699319-000](#) [70.362.1628.0](#) [70-4210](#) [70-4226B](#) [70-](#)
[4853B](#) [71.350.2428.0](#) [733-134](#) [733-162](#) [MHR-64-VUAL](#) [80.063.4001.1](#) [800-90-001-10-001000](#) [801-43-002-10-013000](#) [801-43-006-10-](#)
[002000](#) [803-43-024-10-001000](#) [803-93-012-10-001000](#) [8-1437020-4](#) [819-22-004-30-001101](#) [820-22-006-30-001101](#) [820-22-008-30-001101](#)
[821-22-002-10-001101](#) [821-22-003-10-002101](#)