

**技术特性/Specifications:**

额定电压 Rated voltage: 50V AC, DC  
 额定电流 Rated current: 1A AC, DC  
 接触电阻 Contact resistance: 20mΩ max  
 绝缘电阻 Insulation resistance: 100MΩ min  
 耐压 Withstand voltage: 500V AC/minute  
 环境温度 Ambient temperature: -25°C~+85°C  
 适用线规 Wire range: AWG#32~#28

**标准/Standard:**

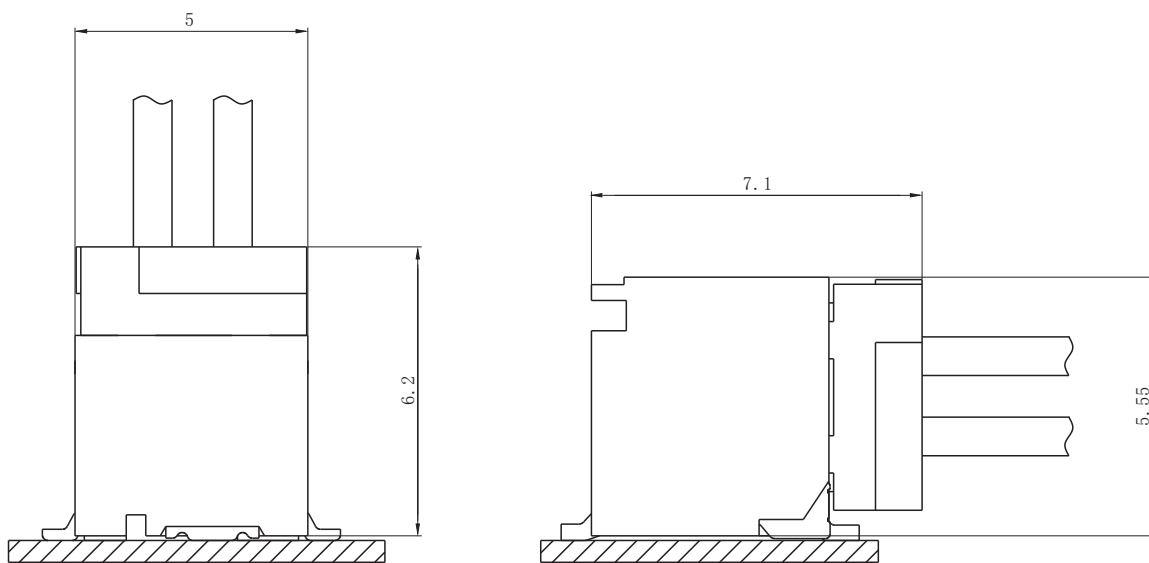


详细参数请咨询:

- E-mail: manager@zjdll.com
- E-mail: technical-support@zjdll.com
- WeChat: 13867778918

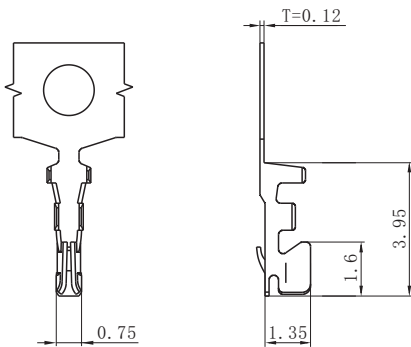
**PC电路板布局和组件布局 PC board layout and Assembly layout**

▣ Assembly layout (装配布局)



上图为连接器安装侧观察图  
 Notes: The above figure is the figure viewed from the connector mounting side.

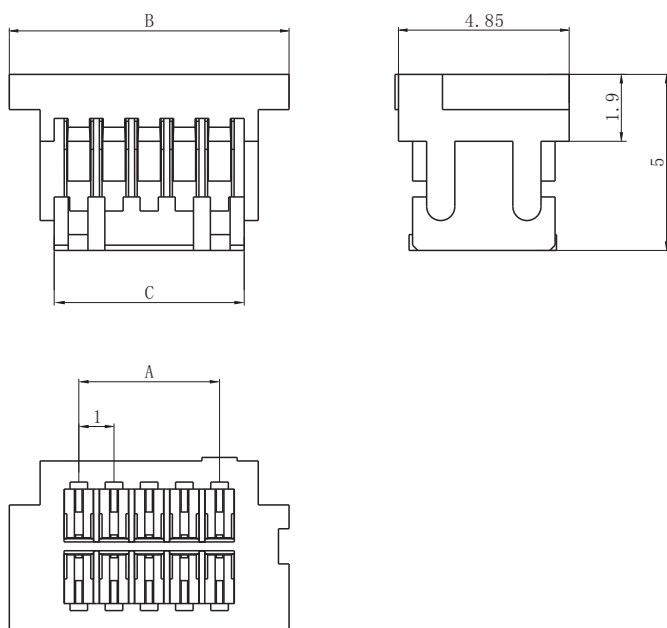
□ DL10012-T (SHD-T)



| Model No. (型号)              | Applicable wire (适用线规) |       |                          | Material (材料)         | Plating (电镀)     | Qty/reel (数量/盘) |
|-----------------------------|------------------------|-------|--------------------------|-----------------------|------------------|-----------------|
|                             | mm <sup>2</sup>        | AWG#  | Insulation O.D. (绝缘外径mm) |                       |                  |                 |
| DL10012-T-GOLD (SHD-T-GOLD) | 0.032~0.08             | 32~28 | φ 0.4~0.8                | Phosphor bronze (磷青铜) | Gold Plated (镀金) | 15000           |

符合RoHS标准  
RoHS compliance

□ DL10012-Y (SHD-Y)



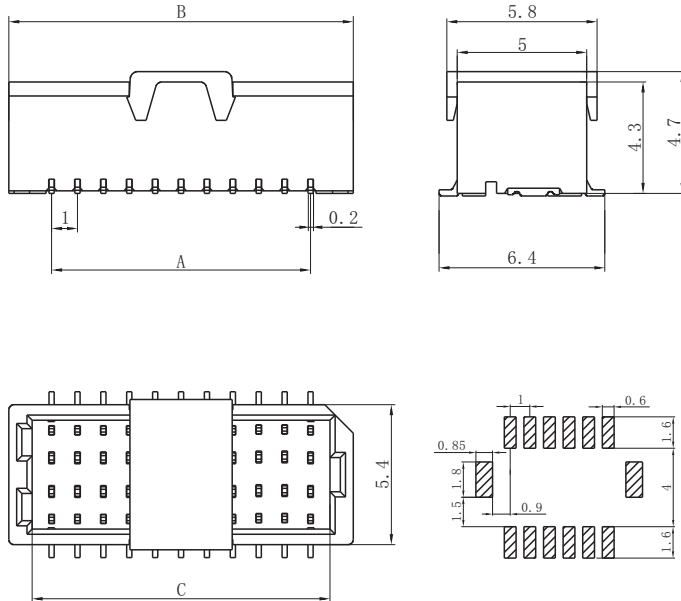
| Circuits (电路) | Product name (产品名称) | Dimensions (尺寸mm) |       |       |
|---------------|---------------------|-------------------|-------|-------|
|               |                     | A                 | B     | C     |
| 2X2           | SHD-4Y              | 1.00              | 5.00  | 2.40  |
| 2X3           | SHD-6Y              | 2.00              | 6.00  | 3.40  |
| 2X4           | SHD-8Y              | 3.00              | 7.00  | 4.40  |
| 2X5           | SHD-10Y             | 4.00              | 8.00  | 5.40  |
| 2X6           | SHD-12Y             | 5.00              | 9.00  | 6.40  |
| 2X7           | SHD-14Y             | 6.00              | 10.00 | 7.40  |
| 2X8           | SHD-16Y             | 7.00              | 11.00 | 8.40  |
| 2X9           | SHD-18Y             | 8.00              | 12.00 | 9.40  |
| 2X10          | SHD-20Y             | 9.00              | 13.00 | 10.40 |
| 2X11          | SHD-22Y             | 10.00             | 14.00 | 11.40 |
| 2X12          | SHD-24Y             | 11.00             | 15.00 | 12.40 |
| 2X13          | SHD-26Y             | 12.00             | 16.00 | 13.40 |
| 2X14          | SHD-28Y             | 13.00             | 17.00 | 14.40 |
| 2X15          | SHD-30Y             | 14.00             | 18.00 | 15.40 |
| 2X16          | SHD-32Y             | 15.00             | 19.00 | 16.40 |
| 2X17          | SHD-34Y             | 16.00             | 20.00 | 17.40 |
| 2X18          | SHD-36Y             | 17.00             | 21.00 | 18.40 |
| ~             | ~                   | ~                 | ~     | ~     |
| 2X30          | SHD-60Y             | 29.00             | 33.00 | 30.40 |

Material (材料)

Housing (胶壳): Nylon (尼龙) UL94V-0 (2)

符合RoHS标准  
RoHS compliance

□ DL10012-AB (SHD-AB)



| Circuits<br>(电路) | Product name<br>(产品名称) | Dimensions (尺寸mm) |       |       |
|------------------|------------------------|-------------------|-------|-------|
|                  |                        | A                 | B     | C     |
| 2X2              | SHD-4AB                | 1.00              | 4.30  | 2.50  |
| 2X3              | SHD-6AB                | 2.00              | 5.30  | 3.50  |
| 2X4              | SHD-8AB                | 3.00              | 6.30  | 4.50  |
| 2X5              | SHD-10AB               | 4.00              | 7.30  | 5.50  |
| 2X6              | SHD-12AB               | 5.00              | 8.30  | 6.50  |
| 2X7              | SHD-14AB               | 6.00              | 9.30  | 7.50  |
| 2X8              | SHD-16AB               | 7.00              | 10.30 | 8.50  |
| 2X9              | SHD-18AB               | 8.00              | 11.30 | 9.50  |
| 2X10             | SHD-20AB               | 9.00              | 12.30 | 10.50 |
| 2X11             | SHD-22AB               | 10.00             | 13.30 | 11.50 |
| 2X12             | SHD-24AB               | 11.00             | 14.30 | 12.50 |
| 2X13             | SHD-26AB               | 12.00             | 15.30 | 13.50 |
| 2X14             | SHD-28AB               | 13.00             | 16.30 | 14.50 |
| 2X15             | SHD-30AB               | 14.00             | 17.30 | 15.50 |
| 2X16             | SHD-32AB               | 15.00             | 18.30 | 16.50 |
| 2X17             | SHD-34AB               | 16.00             | 19.30 | 17.50 |
| 2X18             | SHD-36AB               | 17.00             | 20.30 | 18.50 |
| ~                | ~                      | ~                 | ~     | ~     |
| 2X30             | SHD-60AB               | 29.00             | 32.30 | 30.50 |

Material (材料)

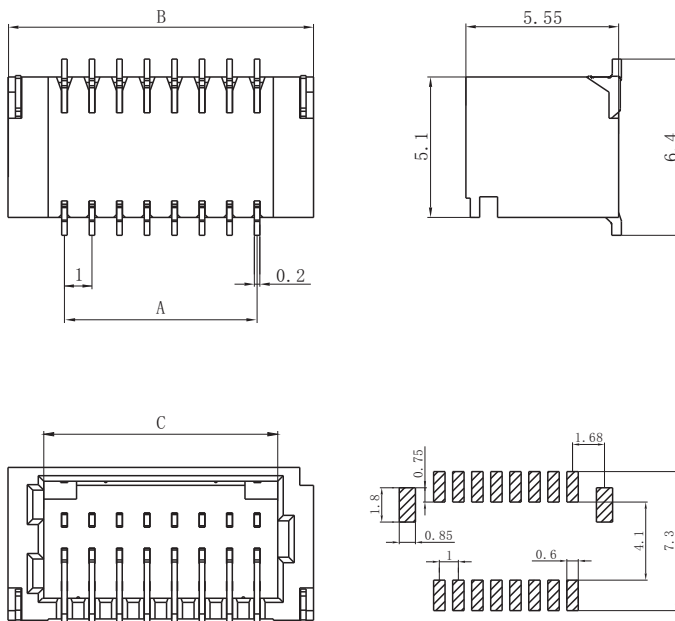
Housing (胶壳): LCP U194V-0

Wafer (接触件): Phosphor bronze (磷青铜) / Tin plated (镀锡)

Solder tabs (焊片): Brass (黄铜) / Tin plated (镀锡)

符合RoHS标准  
RoHS compliance

□ DL10012-AWB (SHD-AWB)



| Circuits<br>(电路) | Product name<br>(产品名称) | Dimensions (尺寸mm) |       |       |
|------------------|------------------------|-------------------|-------|-------|
|                  |                        | A                 | B     | C     |
| 2X2              | SHD-4AWB               | 1.00              | 4.30  | 2.50  |
| 2X3              | SHD-6AWB               | 2.00              | 5.30  | 3.50  |
| 2X4              | SHD-8AWB               | 3.00              | 6.30  | 4.50  |
| 2X5              | SHD-10AWB              | 4.00              | 7.30  | 5.50  |
| 2X6              | SHD-12AWB              | 5.00              | 8.30  | 6.50  |
| 2X7              | SHD-14AWB              | 6.00              | 9.30  | 7.50  |
| 2X8              | SHD-16AWB              | 7.00              | 10.30 | 8.50  |
| 2X9              | SHD-18AWB              | 8.00              | 11.30 | 9.50  |
| 2X10             | SHD-20AWB              | 9.00              | 12.30 | 10.50 |
| 2X11             | SHD-22AWB              | 10.00             | 13.30 | 11.50 |
| 2X12             | SHD-24AWB              | 11.00             | 14.30 | 12.50 |
| 2X13             | SHD-26AWB              | 12.00             | 15.30 | 13.50 |
| 2X14             | SHD-28AWB              | 13.00             | 16.30 | 14.50 |
| 2X15             | SHD-30AWB              | 14.00             | 17.30 | 15.50 |
| 2X16             | SHD-32AWB              | 15.00             | 18.30 | 16.50 |
| 2X17             | SHD-34AWB              | 16.00             | 19.30 | 17.50 |
| 2X18             | SHD-36AWB              | 17.00             | 20.30 | 18.50 |
| ~                | ~                      | ~                 | ~     | ~     |
| 2X30             | SHD-60AWB              | 29.00             | 32.30 | 30.50 |

Material (材料)

Housing (胶壳): LCP UL94V-0

Wafer (接触件): Phosphor bronze (磷青铜) / Tin plated (镀锡)

Solder tabs (焊片): Brass (黄铜) / Tin plated (镀锡)

符合RoHS标准  
RoHS compliance

## X-ON Electronics

Largest Supplier of Electrical and Electronic Components

*Click to view similar products for [Headers & Wire Housings](#) category:*

*Click to view products by [DLL](#) manufacturer:*

Other Similar products are found below :

[0015917161](#) [0022155065](#) [57102-F02-18ULF](#) [58102-G61-06LF](#) [582553-1](#) [01.001.5753.1](#) [0050291907](#) [02.125.8002.8](#) [609-3404](#) [61062-3](#)  
[CSU011177004](#) [622-0430](#) [622-3653LF](#) [63453-116](#) [636-1030](#) [636-1427](#) [636-3427](#) [636-4007](#) [641938-9](#) [65495-038](#) [65692-001LF](#) [65781-018](#)  
[65781-047](#) [65817-010LF](#) [65817-015LF](#) [67095-007LF](#) [67601157](#) [68631-112](#) [68645-018](#) [699319-000](#) [70.362.1628.0](#) [70-4210](#) [70-4226B](#) [70-](#)  
[4853B](#) [71.350.2428.0](#) [733-134](#) [733-162](#) [760-3052](#) [MHR-64-VUAL](#) [80.063.4001.1](#) [800-90-001-10-001000](#) [801-43-002-10-013000](#)  
[801-43-006-10-002000](#) [803-43-024-10-001000](#) [803-93-012-10-001000](#) [8-1437020-4](#) [819-22-004-30-001101](#) [820-22-006-30-001101](#)  
[820-22-008-30-001101](#) [821-22-002-10-001101](#)