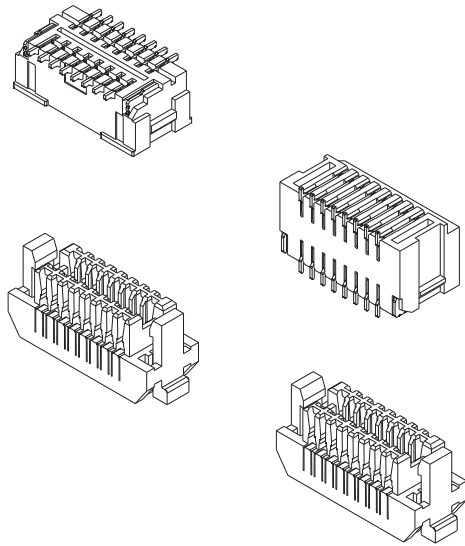


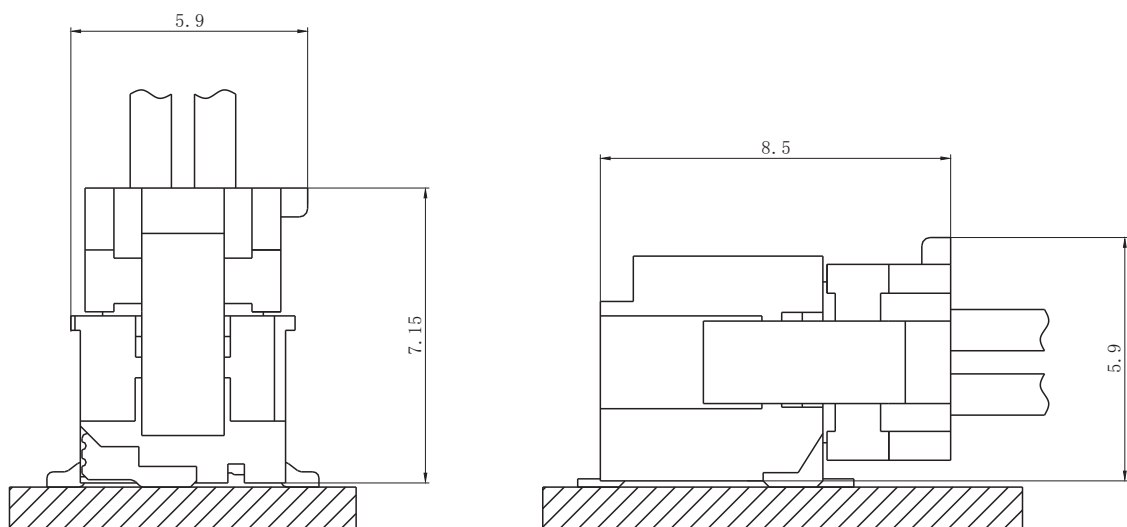
技术特性/Specifications:

额定电压 Rated voltage: 50V AC, DC
 额定电流 Rated current: 1A AC, DC
 接触电阻 Contact resistance: 30mΩ max
 绝缘电阻 Insulation resistance: 100MΩ min
 耐压 Withstand voltage: 500V AC/minute
 环境温度 Ambient temperature: -35°C~+105°C
 适用线规 Wire range: AWG#32~#28



PC电路板布局和组件布局 PC board layout and Assembly layout

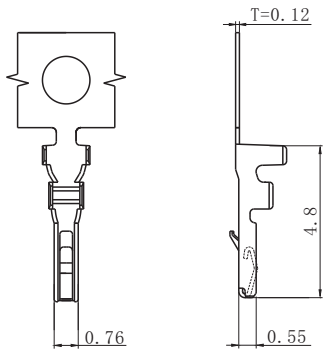
□ Assembly layout (装配布局)



上图为连接器安装侧观察图

Notes: The above figure is the figure viewed from the connector mounting side.

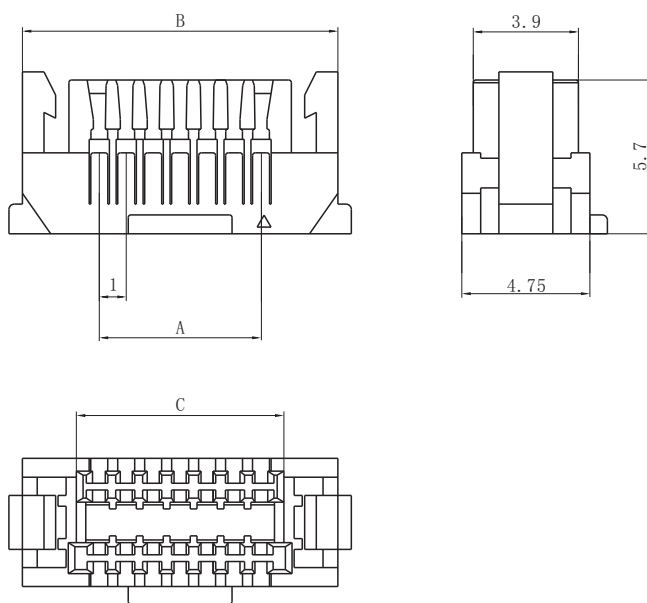
□ DL10007-T (SHLD-T)



| Model No. (型号) | Applicable wire (适用线规) | | | Material (材料) | Plating (电镀) | Qty/reel (数量/盘) |
|--------------------|------------------------|-------|--------------------------|-----------------------|-----------------|-----------------|
| | mm ² | AWG# | Insulation O.D. (绝缘外径mm) | | | |
| DL10007-T (SHLD-T) | 0.032~0.08 | 32~28 | Φ 0.4~0.8 | Phosphor bronze (磷青铜) | Tin Plated (镀锡) | 15000 |

符合RoHS标准
RoHS compliance

□ DL10007-Y (SHLD-Y)



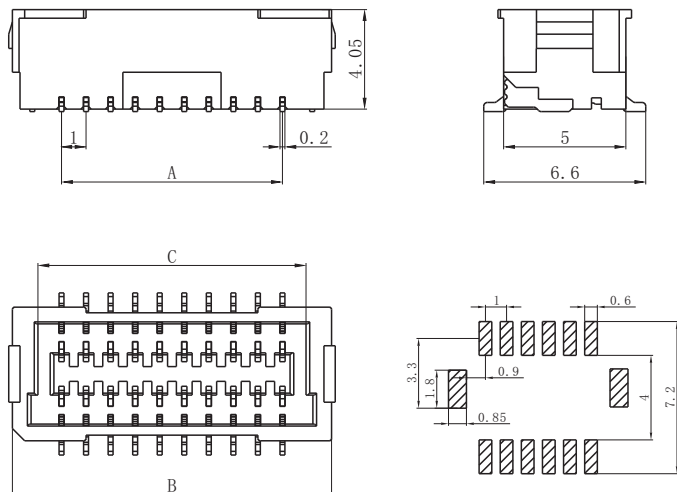
| Circuits (电路) | Product name (产品名称) | Dimensions (尺寸mm) | | |
|---------------|---------------------|-------------------|-------|-------|
| | | A | B | C |
| 2X2 | SHLD-4Y | 1.00 | 6.70 | 2.70 |
| 2X3 | SHLD-6Y | 2.00 | 7.70 | 3.70 |
| 2X4 | SHLD-8Y | 3.00 | 8.70 | 4.70 |
| 2X5 | SHLD-10Y | 4.00 | 9.70 | 5.70 |
| 2X6 | SHLD-12Y | 5.00 | 10.70 | 6.70 |
| 2X7 | SHLD-14Y | 6.00 | 11.70 | 7.70 |
| 2X8 | SHLD-16Y | 7.00 | 12.70 | 8.70 |
| 2X9 | SHLD-18Y | 8.00 | 13.70 | 9.70 |
| 2X10 | SHLD-20Y | 9.00 | 14.70 | 10.70 |
| 2X11 | SHLD-22Y | 10.00 | 15.70 | 11.70 |
| 2X12 | SHLD-24Y | 11.00 | 16.70 | 12.70 |
| 2X13 | SHLD-26Y | 12.00 | 17.70 | 13.70 |
| 2X14 | SHLD-28Y | 13.00 | 18.70 | 14.70 |
| 2X15 | SHLD-30Y | 14.00 | 19.70 | 15.70 |
| 2X16 | SHLD-32Y | 15.00 | 20.70 | 16.70 |
| 2X17 | SHLD-34Y | 16.00 | 21.70 | 17.70 |
| 2X18 | SHLD-36Y | 17.00 | 22.70 | 18.70 |
| ~ | ~ | ~ | ~ | ~ |
| 2X30 | SHLD-60Y | 29.00 | 34.70 | 30.70 |

Material (材料)

Housing (胶壳): Nylon (尼龙) UL94V-0 (2)

符合RoHS标准
RoHS compliance

□ DL10009-AB (SHC-AB)



| Circuits (电路) | Product name (产品名称) | Dimensions (尺寸mm) | | |
|------------------|------------------------|-------------------|-------|-------|
| | | A | B | C |
| 2X2 | SHC-4AB | 1.00 | 5.00 | 2.90 |
| 2X3 | SHC-6AB | 2.00 | 6.00 | 3.90 |
| 2X4 | SHC-8AB | 3.00 | 7.00 | 4.90 |
| 2X5 | SHC-10AB | 4.00 | 8.00 | 5.90 |
| 2X6 | SHC-12AB | 5.00 | 9.00 | 6.90 |
| 2X7 | SHC-14AB | 6.00 | 10.00 | 7.90 |
| 2X8 | SHC-16AB | 7.00 | 11.00 | 8.90 |
| 2X9 | SHC-18AB | 8.00 | 12.00 | 9.90 |
| 2X10 | SHC-20AB | 9.00 | 13.00 | 10.90 |
| 2X11 | SHC-22AB | 10.00 | 14.00 | 11.90 |
| 2X12 | SHC-24AB | 11.00 | 15.00 | 12.90 |
| 2X13 | SHC-26AB | 12.00 | 16.00 | 13.90 |
| 2X14 | SHC-28AB | 13.00 | 17.00 | 14.90 |
| 2X15 | SHC-30AB | 14.00 | 18.00 | 15.90 |
| 2X16 | SHC-32AB | 15.00 | 19.00 | 16.90 |
| 2X17 | SHC-34AB | 16.00 | 20.00 | 17.90 |
| 2X18 | SHC-36AB | 17.00 | 21.00 | 18.90 |
| ~ | ~ | ~ | ~ | ~ |
| 2X30 | SHC-60AB | 29.00 | 33.00 | 30.90 |

Material (材料)

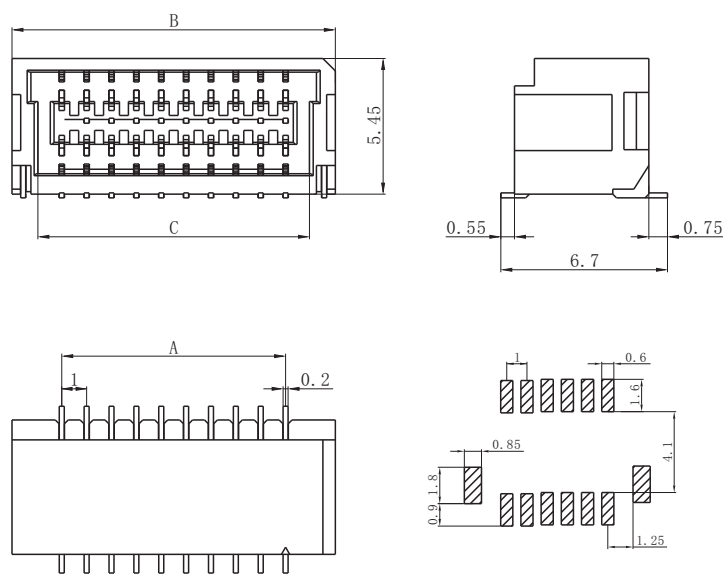
Housing (胶壳): LCP UL94V-0

Wafer (接触件): Phosphor bronze (磷青铜)/Tin plated (镀锡)

Solder tabs (焊片): Phosphor bronze (磷青铜)/Tin plated (镀锡)

符合RoHS标准
RoHS compliance

□ DL10009-AWB (SHC-AWB)



| Circuits (电路) | Product name (产品名称) | Dimensions (尺寸mm) | | |
|------------------|------------------------|-------------------|-------|-------|
| | | A | B | C |
| 2X2 | SHC-4AWB | 1.00 | 5.50 | 2.90 |
| 2X3 | SHC-6AWB | 2.00 | 6.50 | 3.90 |
| 2X4 | SHC-8AWB | 3.00 | 7.50 | 4.90 |
| 2X5 | SHC-10AWB | 4.00 | 8.50 | 5.90 |
| 2X6 | SHC-12AWB | 5.00 | 9.50 | 6.90 |
| 2X7 | SHC-14AWB | 6.00 | 10.50 | 7.90 |
| 2X8 | SHC-16AWB | 7.00 | 11.50 | 8.90 |
| 2X9 | SHC-18AWB | 8.00 | 12.50 | 9.90 |
| 2X10 | SHC-20AWB | 9.00 | 13.50 | 10.90 |
| 2X11 | SHC-22AWB | 10.00 | 14.50 | 11.90 |
| 2X12 | SHC-24AWB | 11.00 | 15.50 | 12.90 |
| 2X13 | SHC-26AWB | 12.00 | 16.50 | 13.90 |
| 2X14 | SHC-28AWB | 13.00 | 17.50 | 14.90 |
| 2X15 | SHC-30AWB | 14.00 | 18.50 | 15.90 |
| 2X16 | SHC-32AWB | 15.00 | 19.50 | 16.90 |
| 2X17 | SHC-34AWB | 16.00 | 20.50 | 17.90 |
| 2X18 | SHC-36AWB | 17.00 | 21.50 | 18.90 |
| ~ | ~ | ~ | ~ | ~ |
| 2X30 | SHC-60AWB | 29.00 | 33.50 | 30.90 |

Material (材料)

Housing (胶壳): LCP UL94V-0

Wafer (接触件): Phosphor bronze (磷青铜)/Tin plated (镀锡)

Solder tabs (焊片): Phosphor bronze (磷青铜)/Tin plated (镀锡)

符合RoHS标准
RoHS compliance

X-ON Electronics

Largest Supplier of Electrical and Electronic Components

Click to view similar products for [Headers & Wire Housings](#) category:

Click to view products by [DLL](#) manufacturer:

Other Similar products are found below :

[0015917161](#) [0022155065](#) [57102-F02-18ULF](#) [58102-G61-06LF](#) [582553-1](#) [01.001.5753.1](#) [0050291907](#) [02.125.8002.8](#) [609-3404](#) [61062-3](#)
[CSU011177004](#) [622-0430](#) [622-3653LF](#) [63453-116](#) [636-1030](#) [636-1427](#) [636-3427](#) [636-4007](#) [641938-9](#) [65495-038](#) [65692-001LF](#) [65781-018](#)
[65781-047](#) [65817-010LF](#) [65817-015LF](#) [67095-007LF](#) [67601157](#) [68631-112](#) [68645-018](#) [699319-000](#) [70.362.1628.0](#) [70-4210](#) [70-4226B](#) [70-](#)
[4853B](#) [71.350.2428.0](#) [733-134](#) [733-162](#) [760-3052](#) [MHR-64-VUAL](#) [80.063.4001.1](#) [800-90-001-10-001000](#) [801-43-002-10-013000](#)
[801-43-006-10-002000](#) [803-43-024-10-001000](#) [803-93-012-10-001000](#) [8-1437020-4](#) [819-22-004-30-001101](#) [820-22-006-30-001101](#)
[820-22-008-30-001101](#) [821-22-002-10-001101](#)