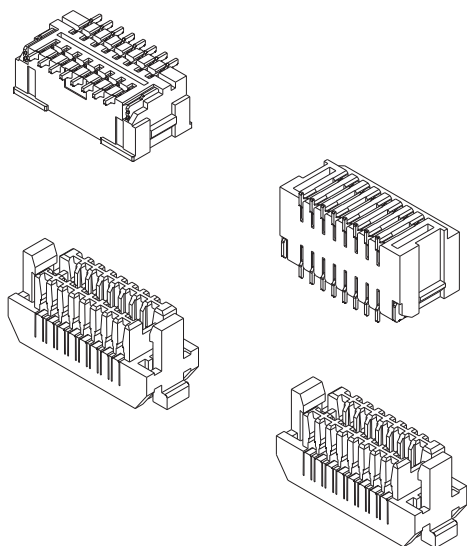


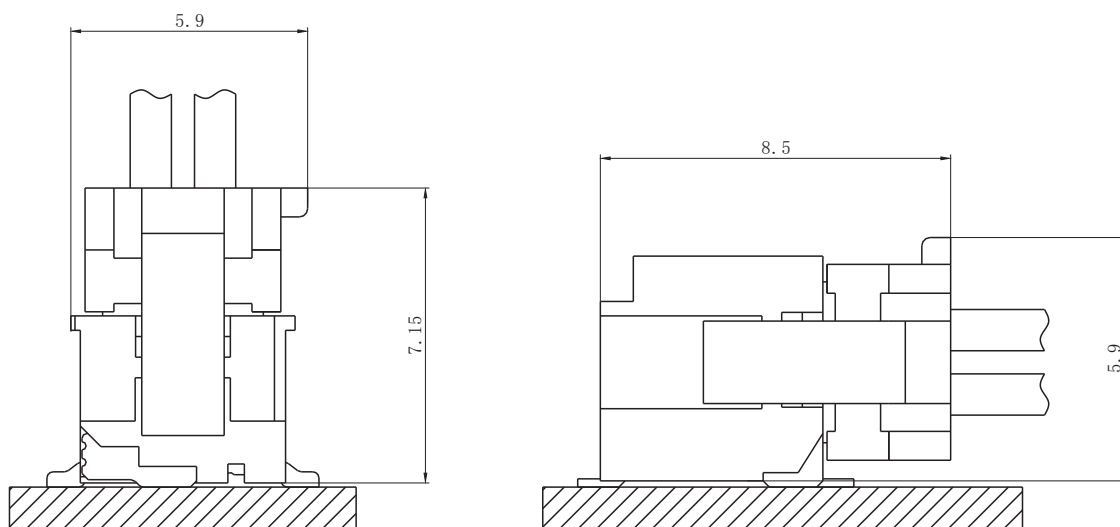
技术特性/Specifications:

额定电压 Rated voltage: 50V AC, DC  
 额定电流 Rated current: 1A AC, DC  
 接触电阻 Contact resistance: 30mΩ max  
 绝缘电阻 Insulation resistance: 100MΩ min  
 耐压 Withstand voltage: 500V AC/minute  
 环境温度 Ambient temperature: -35℃~+105℃  
 适用线规 Wire range: AWG#32~#28



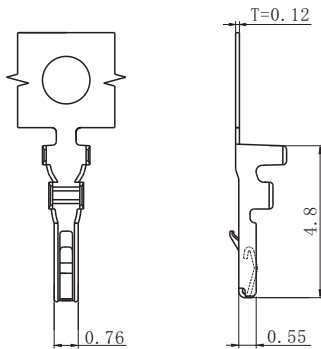
PC电路板布局和组件布局 PC board layout and Assembly layout

□ Assembly layout (装配布局)



上图为连接器安装侧观察图  
 Notes: The above figure is the figure viewed from the connector mounting side.

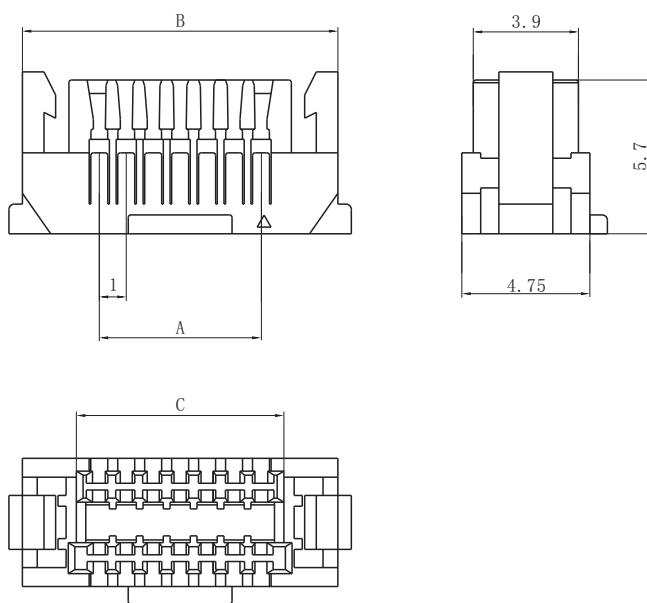
□ DL10007-T (SHLD-T)



| Model No. (型号)     | Applicable wire (适用线规) |       |                          | Material (材料)         | Plating (电镀)    | Qty/reel (数量/盘) |
|--------------------|------------------------|-------|--------------------------|-----------------------|-----------------|-----------------|
|                    | mm <sup>2</sup>        | AWG#  | Insulation O.D. (绝缘外径mm) |                       |                 |                 |
| DL10007-T (SHLD-T) | 0.032~0.08             | 32~28 | Φ 0.4~0.8                | Phosphor bronze (磷青铜) | Tin Plated (镀锡) | 15000           |

符合RoHS标准  
RoHS compliance

□ DL10007-Y (SHLD-Y)



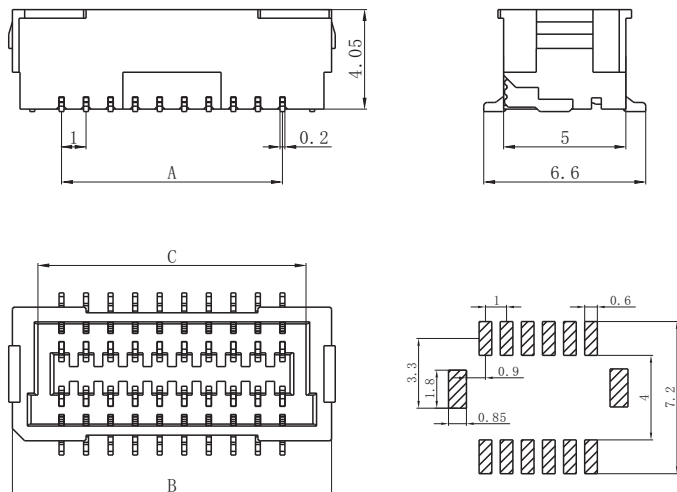
| Circuits (电路) | Product name (产品名称) | Dimensions (尺寸mm) |       |       |
|---------------|---------------------|-------------------|-------|-------|
|               |                     | A                 | B     | C     |
| 2X2           | SHLD-4Y             | 1.00              | 6.70  | 2.70  |
| 2X3           | SHLD-6Y             | 2.00              | 7.70  | 3.70  |
| 2X4           | SHLD-8Y             | 3.00              | 8.70  | 4.70  |
| 2X5           | SHLD-10Y            | 4.00              | 9.70  | 5.70  |
| 2X6           | SHLD-12Y            | 5.00              | 10.70 | 6.70  |
| 2X7           | SHLD-14Y            | 6.00              | 11.70 | 7.70  |
| 2X8           | SHLD-16Y            | 7.00              | 12.70 | 8.70  |
| 2X9           | SHLD-18Y            | 8.00              | 13.70 | 9.70  |
| 2X10          | SHLD-20Y            | 9.00              | 14.70 | 10.70 |
| 2X11          | SHLD-22Y            | 10.00             | 15.70 | 11.70 |
| 2X12          | SHLD-24Y            | 11.00             | 16.70 | 12.70 |
| 2X13          | SHLD-26Y            | 12.00             | 17.70 | 13.70 |
| 2X14          | SHLD-28Y            | 13.00             | 18.70 | 14.70 |
| 2X15          | SHLD-30Y            | 14.00             | 19.70 | 15.70 |
| 2X16          | SHLD-32Y            | 15.00             | 20.70 | 16.70 |
| 2X17          | SHLD-34Y            | 16.00             | 21.70 | 17.70 |
| 2X18          | SHLD-36Y            | 17.00             | 22.70 | 18.70 |
| ~             | ~                   | ~                 | ~     | ~     |
| 2X30          | SHLD-60Y            | 29.00             | 34.70 | 30.70 |

Material (材料)

Housing (胶壳): Nylon (尼龙) UL94V-0 (2)

符合RoHS标准  
RoHS compliance

DL10009-AB (SHC-AB)



| Circuits<br>(电路) | Product name<br>(产品名称) | Dimensions (尺寸mm) |       |       |
|------------------|------------------------|-------------------|-------|-------|
|                  |                        | A                 | B     | C     |
| 2X2              | SHC-4AB                | 1.00              | 5.00  | 2.90  |
| 2X3              | SHC-6AB                | 2.00              | 6.00  | 3.90  |
| 2X4              | SHC-8AB                | 3.00              | 7.00  | 4.90  |
| 2X5              | SHC-10AB               | 4.00              | 8.00  | 5.90  |
| 2X6              | SHC-12AB               | 5.00              | 9.00  | 6.90  |
| 2X7              | SHC-14AB               | 6.00              | 10.00 | 7.90  |
| 2X8              | SHC-16AB               | 7.00              | 11.00 | 8.90  |
| 2X9              | SHC-18AB               | 8.00              | 12.00 | 9.90  |
| 2X10             | SHC-20AB               | 9.00              | 13.00 | 10.90 |
| 2X11             | SHC-22AB               | 10.00             | 14.00 | 11.90 |
| 2X12             | SHC-24AB               | 11.00             | 15.00 | 12.90 |
| 2X13             | SHC-26AB               | 12.00             | 16.00 | 13.90 |
| 2X14             | SHC-28AB               | 13.00             | 17.00 | 14.90 |
| 2X15             | SHC-30AB               | 14.00             | 18.00 | 15.90 |
| 2X16             | SHC-32AB               | 15.00             | 19.00 | 16.90 |
| 2X17             | SHC-34AB               | 16.00             | 20.00 | 17.90 |
| 2X18             | SHC-36AB               | 17.00             | 21.00 | 18.90 |
| ~                | ~                      | ~                 | ~     | ~     |
| 2X30             | SHC-60AB               | 29.00             | 33.00 | 30.90 |

Material (材料)

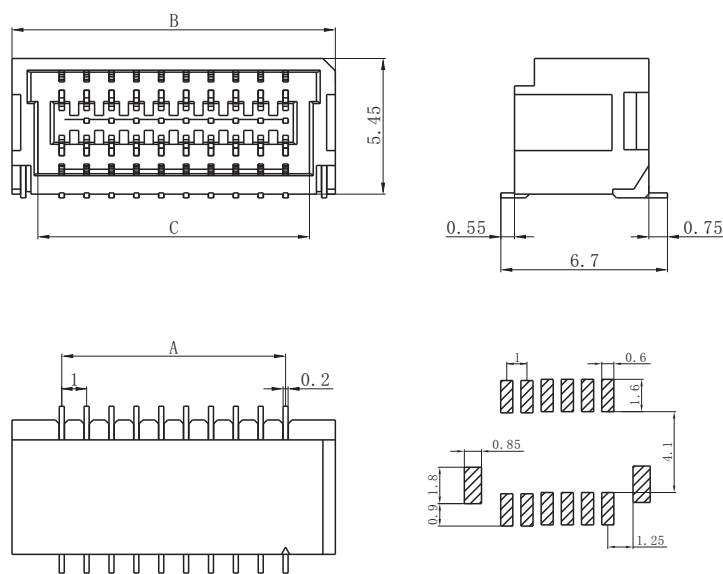
Housing (胶壳): LCP UL94V-0

Wafer (接触件): Phosphor bronze (磷青铜)/Tin plated (镀锡)

Solder tabs (焊片): Phosphor bronze (磷青铜)/Tin plated (镀锡)

符合RoHS标准  
RoHS compliance

DL10009-AWB (SHC-AWB)



| Circuits<br>(电路) | Product name<br>(产品名称) | Dimensions (尺寸mm) |       |       |
|------------------|------------------------|-------------------|-------|-------|
|                  |                        | A                 | B     | C     |
| 2X2              | SHC-4AWB               | 1.00              | 5.50  | 2.90  |
| 2X3              | SHC-6AWB               | 2.00              | 6.50  | 3.90  |
| 2X4              | SHC-8AWB               | 3.00              | 7.50  | 4.90  |
| 2X5              | SHC-10AWB              | 4.00              | 8.50  | 5.90  |
| 2X6              | SHC-12AWB              | 5.00              | 9.50  | 6.90  |
| 2X7              | SHC-14AWB              | 6.00              | 10.50 | 7.90  |
| 2X8              | SHC-16AWB              | 7.00              | 11.50 | 8.90  |
| 2X9              | SHC-18AWB              | 8.00              | 12.50 | 9.90  |
| 2X10             | SHC-20AWB              | 9.00              | 13.50 | 10.90 |
| 2X11             | SHC-22AWB              | 10.00             | 14.50 | 11.90 |
| 2X12             | SHC-24AWB              | 11.00             | 15.50 | 12.90 |
| 2X13             | SHC-26AWB              | 12.00             | 16.50 | 13.90 |
| 2X14             | SHC-28AWB              | 13.00             | 17.50 | 14.90 |
| 2X15             | SHC-30AWB              | 14.00             | 18.50 | 15.90 |
| 2X16             | SHC-32AWB              | 15.00             | 19.50 | 16.90 |
| 2X17             | SHC-34AWB              | 16.00             | 20.50 | 17.90 |
| 2X18             | SHC-36AWB              | 17.00             | 21.50 | 18.90 |
| ~                | ~                      | ~                 | ~     | ~     |
| 2X30             | SHC-60AWB              | 29.00             | 33.50 | 30.90 |

Material (材料)

Housing (胶壳): LCP UL94V-0

Wafer (接触件): Phosphor bronze (磷青铜)/Tin plated (镀锡)

Solder tabs (焊片): Phosphor bronze (磷青铜)/Tin plated (镀锡)

符合RoHS标准  
RoHS compliance

## X-ON Electronics

Largest Supplier of Electrical and Electronic Components

*Click to view similar products for [Headers & Wire Housings](#) category:*

*Click to view products by [DLL](#) manufacturer:*

Other Similar products are found below :

[0015917161](#) [0022155065](#) [57102-F02-18ULF](#) [58102-G61-06LF](#) [582553-1](#) [01.001.5753.1](#) [0050291907](#) [02.125.8002.8](#) [609-3404](#) [61062-3](#)  
[CSU011177004](#) [622-0430](#) [622-3653LF](#) [63453-116](#) [636-1030](#) [636-1427](#) [636-3427](#) [636-4007](#) [641938-9](#) [65495-038](#) [65692-001LF](#) [65781-018](#)  
[65781-047](#) [65817-010LF](#) [65817-015LF](#) [67095-007LF](#) [67601157](#) [68631-112](#) [68645-018](#) [699319-000](#) [70.362.1628.0](#) [70-4210](#) [70-4226B](#) [70-](#)  
[4853B](#) [71.350.2428.0](#) [733-134](#) [733-162](#) [760-3052](#) [MHR-64-VUAL](#) [80.063.4001.1](#) [800-90-001-10-001000](#) [801-43-002-10-013000](#)  
[801-43-006-10-002000](#) [803-43-024-10-001000](#) [803-93-012-10-001000](#) [8-1437020-4](#) [819-22-004-30-001101](#) [820-22-006-30-001101](#)  
[820-22-008-30-001101](#) [821-22-002-10-001101](#)