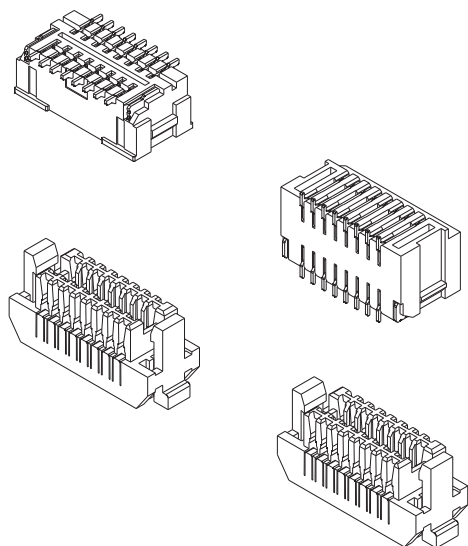


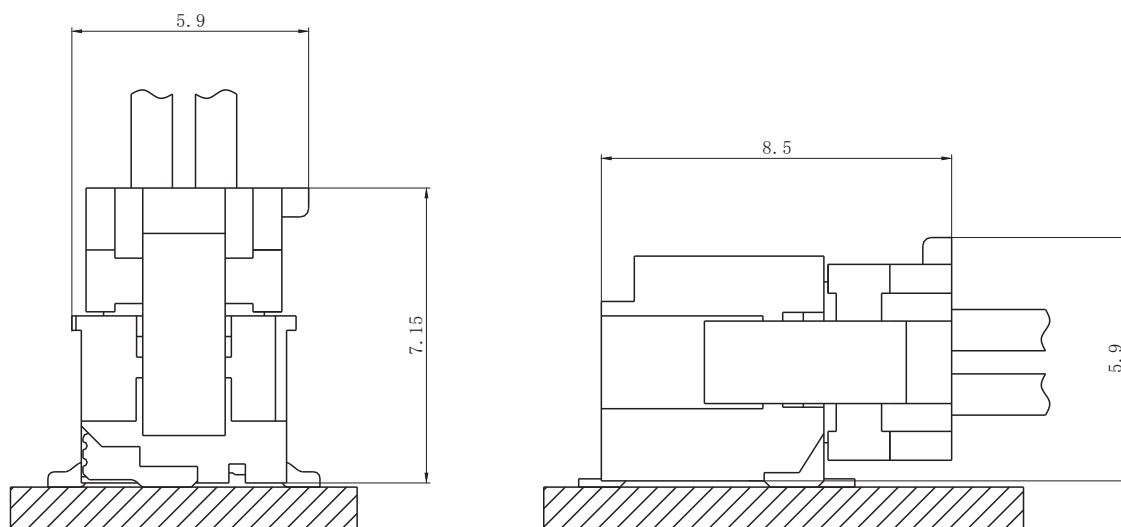
技术特性/Specifications:

额定电压 Rated voltage: 50V AC, DC
 额定电流 Rated current: 1A AC, DC
 接触电阻 Contact resistance: 30mΩ max
 绝缘电阻 Insulation resistance: 100MΩ min
 耐压 Withstand voltage: 500V AC/minute
 环境温度 Ambient temperature: -35°C~+105°C
 适用线规 Wire range: AWG#32~#28



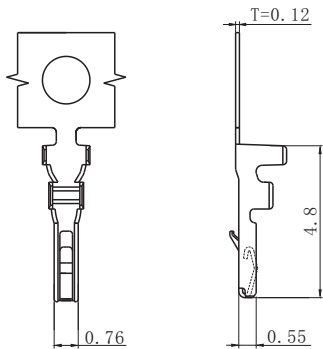
PC电路板布局和组件布局 PC board layout and Assembly layout

Assembly layout (装配布局)



上图为连接器安装侧观察图
 Notes: The above figure is the figure viewed from the connector mounting side.

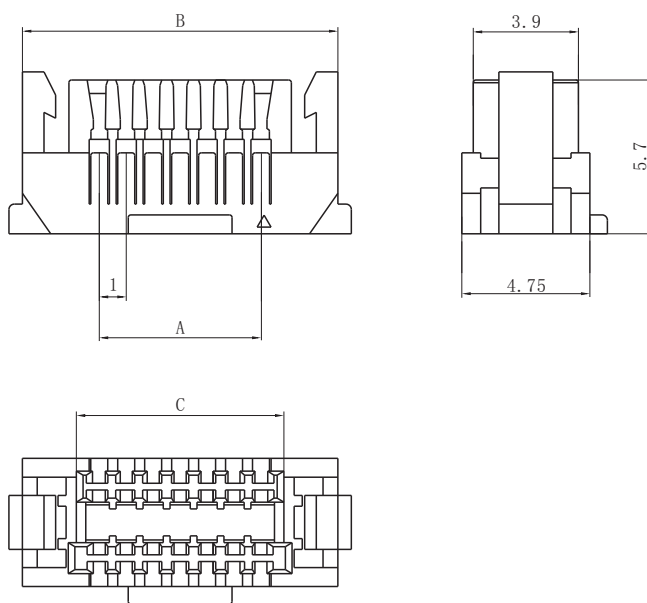
□ DL10007-T (SHLD-T)



Model No. (型号)	Applicable wire (适用线规)			Material (材料)	Plating (电镀)	Qty/reel (数量/盘)
	mm ²	AWG#	Insulation O.D. (绝缘外径mm)			
DL10007-T (SHLD-T)	0.032~0.08	32~28	Φ 0.4~0.8	Phosphor bronze (磷青铜)	Tin Plated (镀锡)	15000

符合RoHS标准
RoHS compliance

□ DL10007-Y (SHLD-Y)



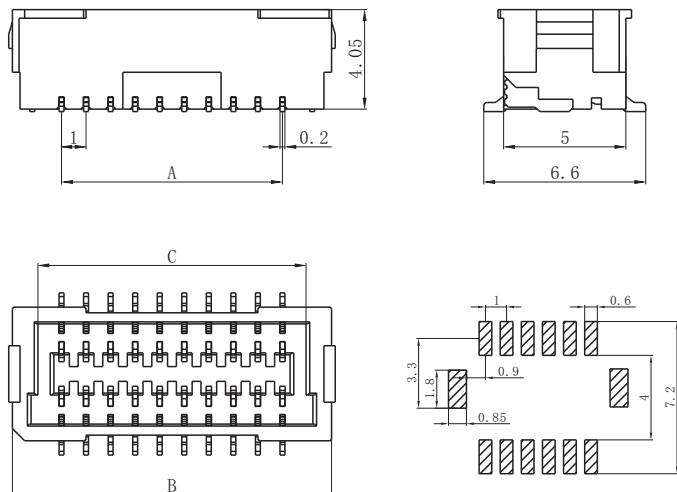
Circuits (电路)	Product name (产品名称)	Dimensions (尺寸mm)		
		A	B	C
2X2	SHLD-4Y	1.00	6.70	2.70
2X3	SHLD-6Y	2.00	7.70	3.70
2X4	SHLD-8Y	3.00	8.70	4.70
2X5	SHLD-10Y	4.00	9.70	5.70
2X6	SHLD-12Y	5.00	10.70	6.70
2X7	SHLD-14Y	6.00	11.70	7.70
2X8	SHLD-16Y	7.00	12.70	8.70
2X9	SHLD-18Y	8.00	13.70	9.70
2X10	SHLD-20Y	9.00	14.70	10.70
2X11	SHLD-22Y	10.00	15.70	11.70
2X12	SHLD-24Y	11.00	16.70	12.70
2X13	SHLD-26Y	12.00	17.70	13.70
2X14	SHLD-28Y	13.00	18.70	14.70
2X15	SHLD-30Y	14.00	19.70	15.70
2X16	SHLD-32Y	15.00	20.70	16.70
2X17	SHLD-34Y	16.00	21.70	17.70
2X18	SHLD-36Y	17.00	22.70	18.70
~	~	~	~	~
2X30	SHLD-60Y	29.00	34.70	30.70

Material (材料)

Housing (胶壳): Nylon (尼龙) UL94V-0 (2)

符合RoHS标准
RoHS compliance

DL10009-AB (SHC-AB)



Circuits (电路)	Product name (产品名称)	Dimensions (尺寸mm)		
		A	B	C
2X2	SHC-4AB	1.00	5.00	2.90
2X3	SHC-6AB	2.00	6.00	3.90
2X4	SHC-8AB	3.00	7.00	4.90
2X5	SHC-10AB	4.00	8.00	5.90
2X6	SHC-12AB	5.00	9.00	6.90
2X7	SHC-14AB	6.00	10.00	7.90
2X8	SHC-16AB	7.00	11.00	8.90
2X9	SHC-18AB	8.00	12.00	9.90
2X10	SHC-20AB	9.00	13.00	10.90
2X11	SHC-22AB	10.00	14.00	11.90
2X12	SHC-24AB	11.00	15.00	12.90
2X13	SHC-26AB	12.00	16.00	13.90
2X14	SHC-28AB	13.00	17.00	14.90
2X15	SHC-30AB	14.00	18.00	15.90
2X16	SHC-32AB	15.00	19.00	16.90
2X17	SHC-34AB	16.00	20.00	17.90
2X18	SHC-36AB	17.00	21.00	18.90
~	~	~	~	~
2X30	SHC-60AB	29.00	33.00	30.90

Material (材料)

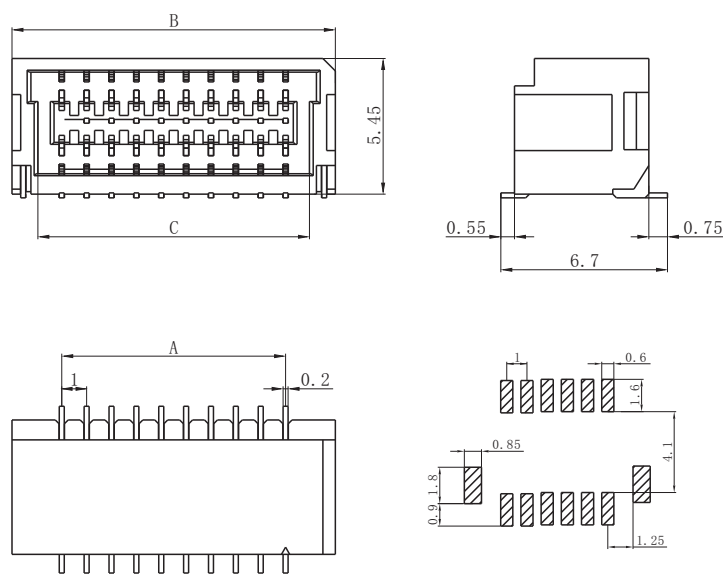
Housing (胶壳): LCP UL94V-0

Wafer (接触件): Phosphor bronze (磷青铜)/Tin plated (镀锡)

Solder tabs (焊片): Phosphor bronze (磷青铜)/Tin plated (镀锡)

符合RoHS标准
RoHS compliance

DL10009-AWB (SHC-AWB)



Circuits (电路)	Product name (产品名称)	Dimensions (尺寸mm)		
		A	B	C
2X2	SHC-4AWB	1.00	5.50	2.90
2X3	SHC-6AWB	2.00	6.50	3.90
2X4	SHC-8AWB	3.00	7.50	4.90
2X5	SHC-10AWB	4.00	8.50	5.90
2X6	SHC-12AWB	5.00	9.50	6.90
2X7	SHC-14AWB	6.00	10.50	7.90
2X8	SHC-16AWB	7.00	11.50	8.90
2X9	SHC-18AWB	8.00	12.50	9.90
2X10	SHC-20AWB	9.00	13.50	10.90
2X11	SHC-22AWB	10.00	14.50	11.90
2X12	SHC-24AWB	11.00	15.50	12.90
2X13	SHC-26AWB	12.00	16.50	13.90
2X14	SHC-28AWB	13.00	17.50	14.90
2X15	SHC-30AWB	14.00	18.50	15.90
2X16	SHC-32AWB	15.00	19.50	16.90
2X17	SHC-34AWB	16.00	20.50	17.90
2X18	SHC-36AWB	17.00	21.50	18.90
~	~	~	~	~
2X30	SHC-60AWB	29.00	33.50	30.90

Material (材料)

Housing (胶壳): LCP UL94V-0

Wafer (接触件): Phosphor bronze (磷青铜)/Tin plated (镀锡)

Solder tabs (焊片): Phosphor bronze (磷青铜)/Tin plated (镀锡)

符合RoHS标准
RoHS compliance

X-ON Electronics

Largest Supplier of Electrical and Electronic Components

Click to view similar products for [Headers & Wire Housings](#) category:

Click to view products by [DLL](#) manufacturer:

Other Similar products are found below :

[0015917161](#) [0022155065](#) [57102-F02-18ULF](#) [58102-G61-06LF](#) [582553-1](#) [01.001.5753.1](#) [0050291907](#) [02.125.8002.8](#) [609-3404](#) [61062-3](#)
[CSU011177004](#) [622-0430](#) [622-3653LF](#) [63453-116](#) [636-1030](#) [636-1427](#) [636-3427](#) [636-4007](#) [641938-9](#) [65495-038](#) [65692-001LF](#) [65781-018](#)
[65781-047](#) [65817-010LF](#) [65817-015LF](#) [67095-007LF](#) [67601157](#) [68631-112](#) [68645-018](#) [699319-000](#) [70.362.1628.0](#) [70-4210](#) [70-4226B](#) [70-](#)
[4853B](#) [71.350.2428.0](#) [733-134](#) [733-162](#) [760-3052](#) [MHR-64-VUAL](#) [80.063.4001.1](#) [800-90-001-10-001000](#) [801-43-002-10-013000](#)
[801-43-006-10-002000](#) [803-43-024-10-001000](#) [803-93-012-10-001000](#) [8-1437020-4](#) [819-22-004-30-001101](#) [820-22-006-30-001101](#)
[820-22-008-30-001101](#) [821-22-002-10-001101](#)