

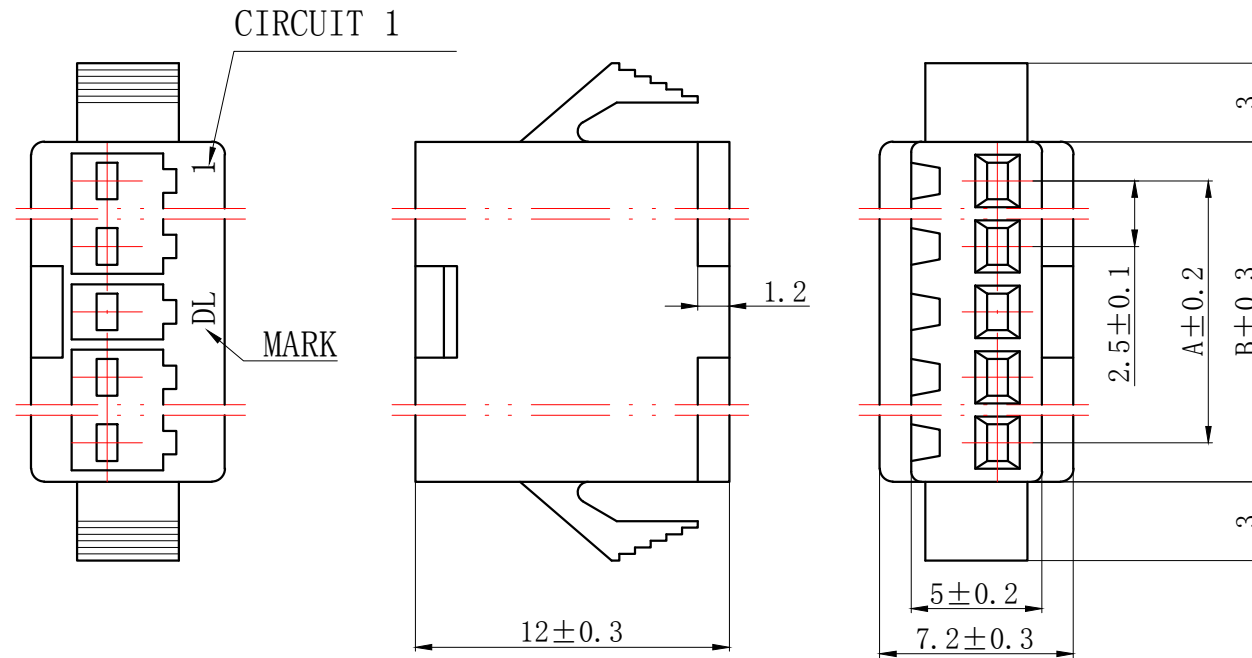
技术特性/Specifications:

额定电压 Rated voltage: 250V AC, DC
额定电流 Rated current: 3A AC, DC
接触电阻 Contact resistance: 20m Ω max
绝缘电阻 Insulation resistance: 1000M Ω min
耐压 Withstand voltage: 1000V AC/minute
环境温度 Ambient temperature: -40 $^{\circ}$ C~+105 $^{\circ}$ C
适用线规 Wire range: AWG#28~#22

REV.	REVISION DESCRIPTION	DATE	APPD

NOTES

Available in 02 through 12 Circuits.
 Mates with DL25007-R Series Housing.
 Material : Nylon UL94V-0(2).
 Accepts DL25007-T Crimp Terminal.



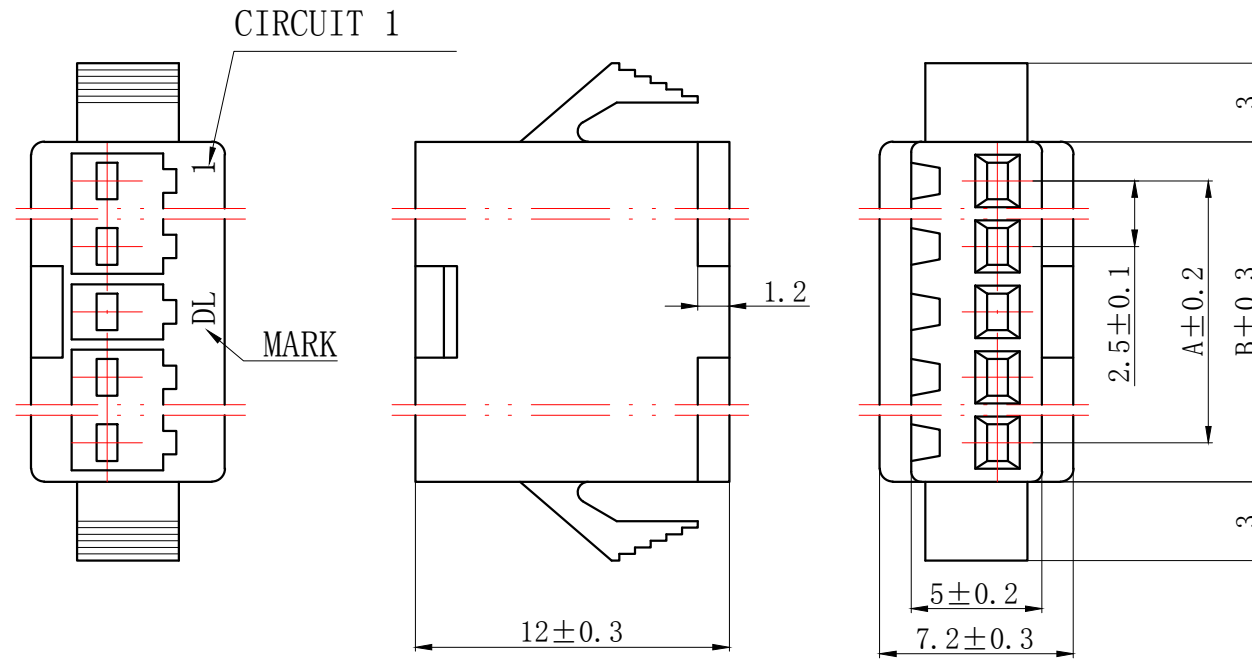
Circuits	Product name	Dimension mm	
		A	B
2	SM-2Y	2.50	5.50
3	SM-3Y	5.00	8.00
4	SM-4Y	7.50	10.50
5	SM-5Y	10.00	13.00
6	SM-6Y	12.50	15.50
7	SM-7Y	15.00	18.00
8	SM-8Y	17.50	20.50
9	SM-9Y	20.00	23.00
10	SM-10Y	22.50	25.50
11	SM-11Y	25.00	28.00
12	SM-12Y	27.50	30.50

GENERAL TOLERANCES (UNLESS SPECIFIED)		ZHE JIANG DELI CONNECTORS CO., LTD	
.X: ± 0.25	X°: $\pm 3.0^\circ$	PRODUCT NAME: DL25007 (SM)-Y	
.XX: ± 0.15	.X°: $\pm 2.0^\circ$	TITLE: 2.50 mm Pitch Wire To Wire Housing	
.XXX: ± 0.01	.XX°: $\pm 1.0^\circ$	DR: Chen Quan Long	DATE: 21/12/30
FINISH: _____		CHKD: Wu Hui	DATE: 21/12/30
DRAWING NO: _____		APPD: Ren An De	DATE: 21/12/30
		SCALE: N/A	PAGE: 1/1
		UNITS: mm	REV.: A

REV.	REVISION DESCRIPTION	DATE	APPD

NOTES

Available in 02 through 12 Circuits.
 Mates with DL25007-R Series Housing.
 Material : Nylon UL94V-0(2).
 Accepts DL25007-T Crimp Terminal.



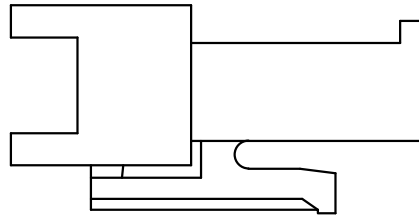
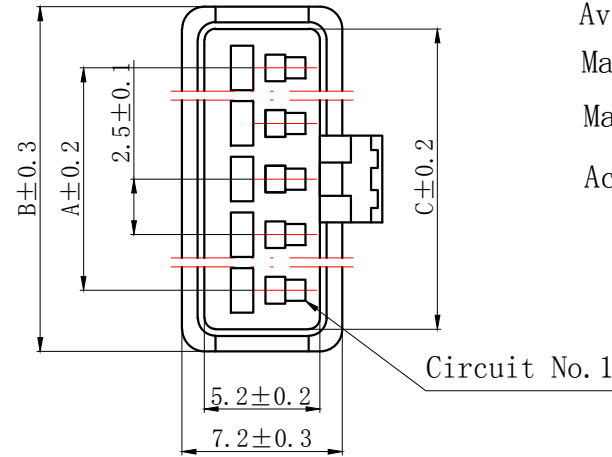
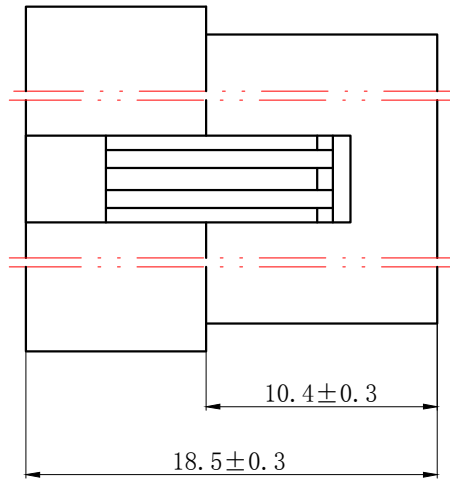
Circuits	Product name	Dimension mm	
		A	B
2	SM-2Y-02	2.50	5.50
3	SM-3Y-02	5.00	8.00
4	SM-4Y-02	7.50	10.50
5	SM-5Y-02	10.00	13.00
6	SM-6Y-02	12.50	15.50
7	SM-7Y-02	15.00	18.00
8	SM-8Y-02	17.50	20.50
9	SM-9Y-02	20.00	23.00
10	SM-10Y-02	22.50	25.50
11	SM-11Y-02	25.00	28.00
12	SM-12Y-02	27.50	30.50

GENERAL TOLERANCES (UNLESS SPECIFIED)		ZHE JIANG DELI CONNECTORS CO., LTD	
.X: ± 0.25	X°: $\pm 3.0^\circ$	PRODUCT NAME: DL25007(SM)-Y-02	
.XX: ± 0.15	.X°: $\pm 2.0^\circ$	TITLE: 2.50 mm Pitch Wire To Wire Housing	
.XXX: ± 0.01	.XX°: $\pm 1.0^\circ$	DR: Chen Quan Long	DATE: 21/12/30
FINISH: _____		CHKD: Wu Hui	DATE: 21/12/30
DRAWING NO: _____		APPD: Ren An De	DATE: 21/12/30
		SCALE: N/A	PAGE: 1/1
		UNITS: mm	REV.: A

REV.	REVISION DESCRIPTION	DATE	APPD

NOTES

Available in 02 through 12 Circuits.
 Mates with DL25007-Y Series Housing.
 Material : Nylon UL94V-0(2).
 Accepts DL25007-RT Crimp Terminal.



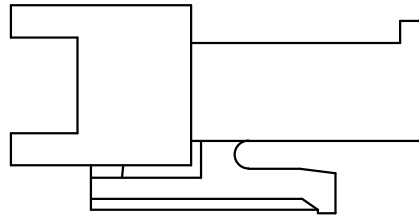
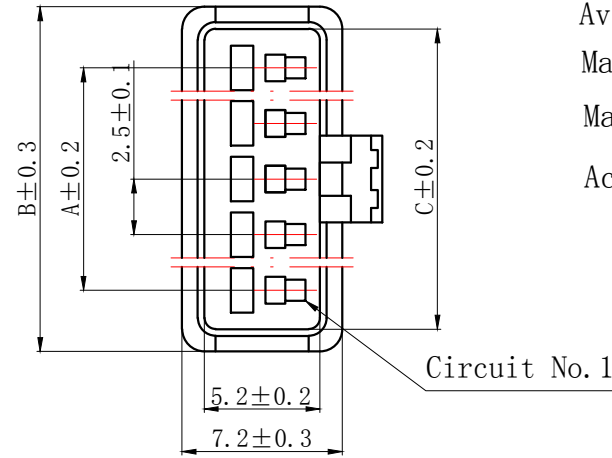
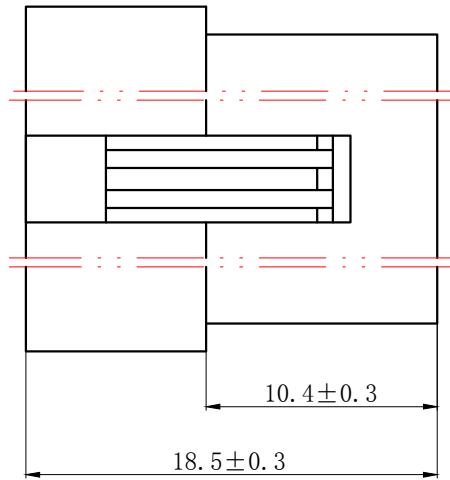
Circuits	Product name	Dimensino(mm)		
		A	B	C
2	SM-2R	2.5	8.0	5.8
3	SM-3R	5.0	10.5	8.3
4	SM-4R	7.5	13.0	10.8
5	SM-5R	10.0	15.5	13.3
6	SM-6R	12.5	18.0	15.8
7	SM-7R	15.0	20.5	18.3
8	SM-8R	17.5	23.0	20.8
9	SM-9R	20.0	25.5	23.3
10	SM-10R	22.5	28.0	25.8
11	SM-11R	25.0	30.5	28.3
12	SM-12R	27.5	33.0	30.8

GENERAL TOLERANCES (UNLESS SPECIFIED)		ZHE JIANG DELI CONNECTORS CO., LTD			
.X: ± 0.25	X°: $\pm 3.0^\circ$	PRODUCT NAME: DL25007(SM)-R		TITLE: 2.50 mm Pitch Wire To Wire Housing	
.XX: ± 0.15	.X°: $\pm 2.0^\circ$	DR: Chen Quan Long	DATE: 21/12/30	PART NO:	
.XXX: ± 0.01	.XX°: $\pm 1.0^\circ$	FINISH:	CHKD: Wu Hui	DATE: 21/12/30	SCALE: N/A
DRAWING NO:		APPD: Ren An De	DATE: 21/12/30	UNITS: mm	PAGE: 1/1
				REV.: A	

REV.	REVISION DESCRIPTION	DATE	APPD

NOTES

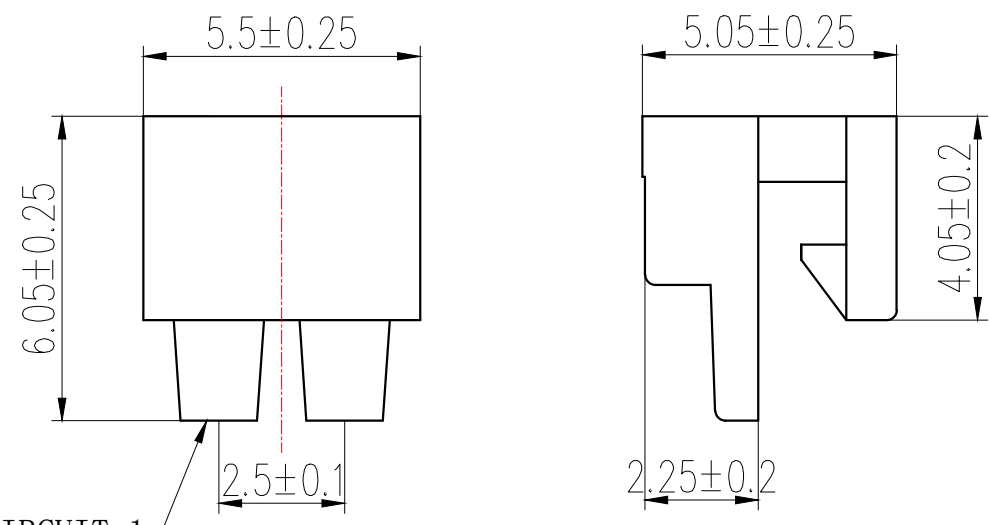
Available in 02 through 12 Circuits.
Mates with DL25007-Y Series Housing.
Material : Nylon UL94V-0(2).
Accepts DL25007-RT Crimp Terminal.



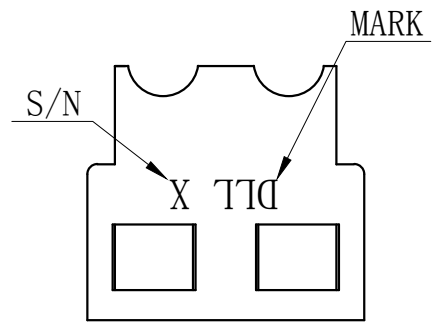
Circuits	Product name	Dimensino (mm)		
		A	B	C
2	SM-2R-02	2.5	8.0	5.8
3	SM-3R-02	5.0	10.5	8.3
4	SM-4R-02	7.5	13.0	10.8
5	SM-5R-02	10.0	15.5	13.3
6	SM-6R-02	12.5	18.0	15.8
7	SM-7R-02	15.0	20.5	18.3
8	SM-8R-02	17.5	23.0	20.8
9	SM-9R-02	20.0	25.5	23.3
10	SM-10R-02	22.5	28.0	25.8
11	SM-11R-02	25.0	30.5	28.3
12	SM-12R-02	27.5	33.0	30.8

GENERAL TOLERANCES (UNLESS SPECIFIED)		ZHE JIANG DELI CONNECTORS CO., LTD	
.X: ± 0.25	X°: $\pm 3.0^\circ$	PRODUCT NAME:	TITLE: 2.50 mm Pitch Wire To Wire Housing
.XX: ± 0.15	.X°: $\pm 2.0^\circ$	DL25007(SM)-R-02	PART NO:
.XXX: ± 0.01	.XX°: $\pm 1.0^\circ$	DR: Chen Quan Long	DATE: 21/12/30
FINISH:		CHKD: Wu Hui	DATE: 21/12/30
DRAWING NO:		APPD: Ren An De	DATE: 21/12/30
		SCALE: N/A	PAGE: 1/1
		UNITS: mm	REV.: A

REV.	REVISION DESCRIPTION	DATE	APPD



CIRCUIT 1



NOTES

Available in 02 Circuits.
 Mates with Y25007XXXX Series Housing.
 Material : Nylon UL94V-0(2).
 Green Material RoHS Compliant.

GENERAL TOLERANCES (UNLESS SPECIFIED)		ZHE JIANG DELI CONNECTORS CO ., LTD	
.X: ±0.25	X° : ±3.0°	PRODUCT NAME: DL25007 (SM)-2PS	TITLE: 2.50 mm Pitch Wire To Wire Housing
.XX: ±0.15	.X° : ±2.0°	APPD.:Yuan Jun Rong	DATE:21/12/01
.XXX:±0.01	.XX° :±1.0°	CHKD.:Wu Hui	DATE:21/12/01
FINISH: _____		APPD:Ren An De	DATE:21/12/01
DRAWING NO:			

A
B
C
D
E
F

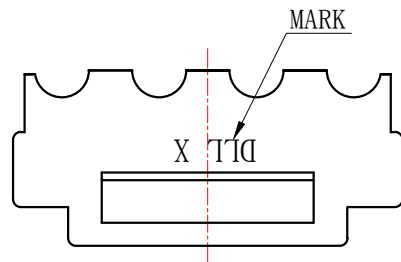
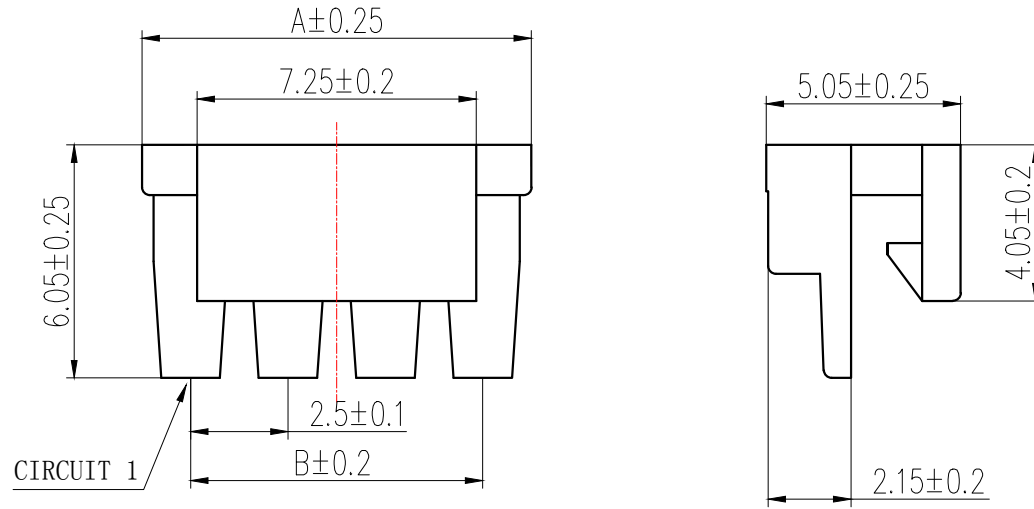
A
B
C
D
E
F

1 2 3 4 5 6 7 8

REV.	REVISION DESCRIPTION	DATE	APPD

NOTES

Available in 03 through 12 Circuits.
 Mates with Y25007XXXX Series Housing.
 Material : Nylon UL94V-0(2).
 Green Material RoHS Compliant.



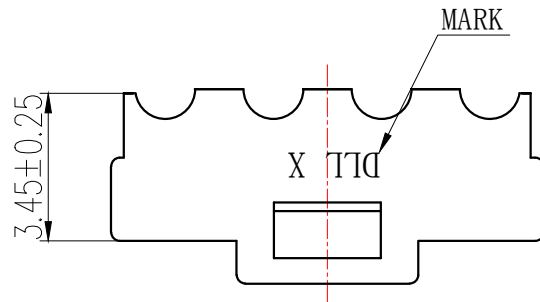
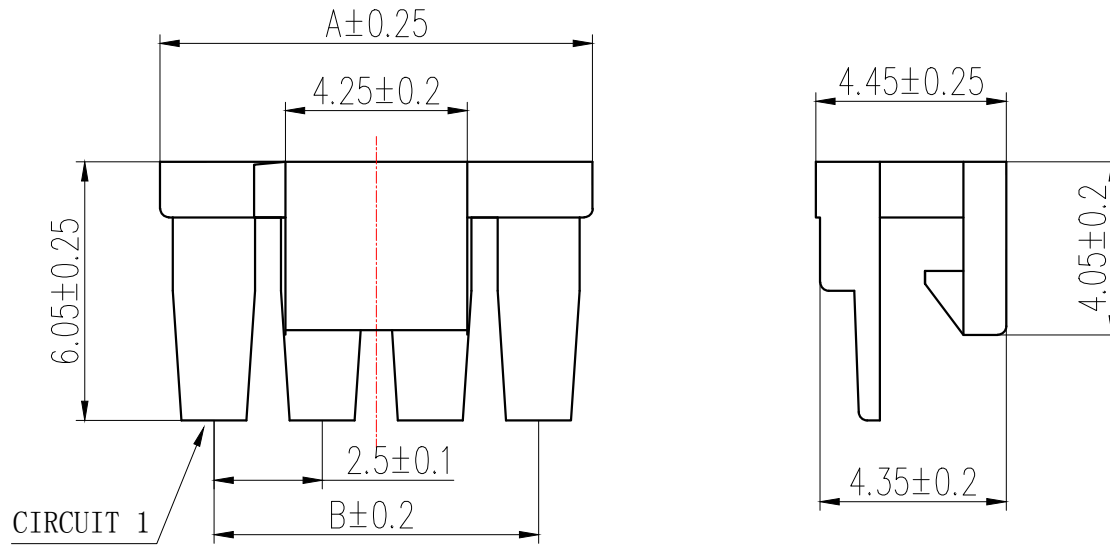
Circuits	Product name	Dimension mm	
		A	B
3	SM-3PS	7.5	5.0
4	SM-4PS	10.0	7.5
5	SM-5PS	12.5	10.0
6	SM-6PS	15.0	12.5
7	SM-7PS	17.5	15.0
8	SM-8PS	20.0	17.5
9	SM-9PS	22.5	20.0
10	SM-10PS	25.0	22.5
11	SM-11PS	27.5	25.0
12	SM-12PS	30.0	27.5

GENERAL TOLERANCES (UNLESS SPECIFIED)		ZHE JIANG DELI CONNECTORS CO., LTD	
.X: ±0.25	X°: ±3.0°	PRODUCT NAME:	TITLE: 2.50 mm Pitch
.XX: ±0.15	.X°: ±2.0°	DL25007(SM)-PS	Wire To Wire Housing
.XXX: ±0.01	.XX°: ±1.0°	APPD.:Yuan Jun Rong DATE:21/12/01	PART NO:
FINISH:		CHKD.:Wu Hui DATE:21/12/01	SCALE: N/A PAGE: 1/1
DRAWING NO:		APPD:Ren An De DATE:21/12/01	UNITS: mm REV.: A

REV.	REVISION DESCRIPTION	DATE	APPD

NOTES

Available in 02 through 12 Circuits.
 Mates with R25007XXXX Series Housing.
 Material : Nylon UL94V-0(2).
 Green Material RoHS Compliant.



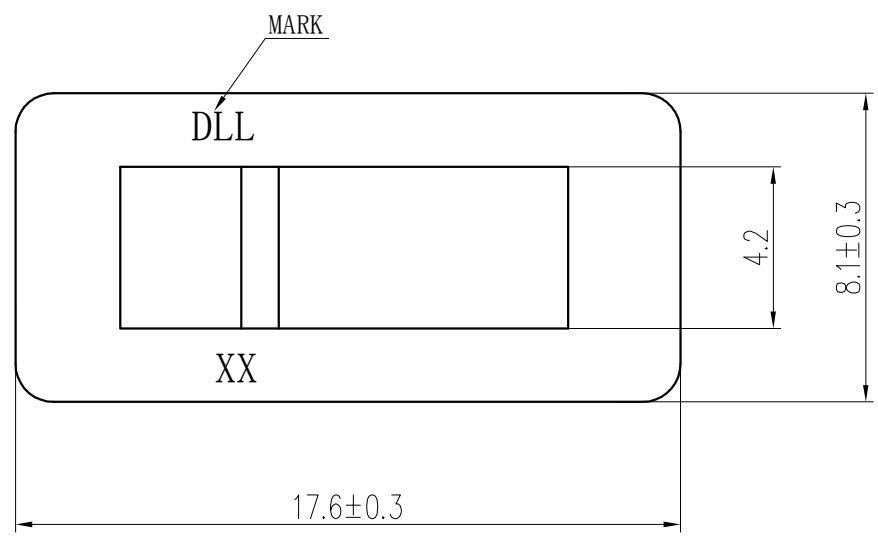
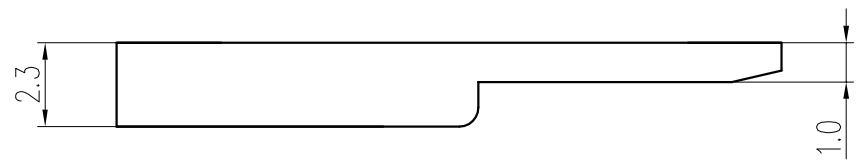
Circuits	Product name	Dimension mm	
		A	B
2	SM-2RS	5.0	2.5
3	SM-3RS	7.5	5.0
4	SM-4RS	10.0	7.5
5	SM-5RS	12.5	10.0
6	SM-6RS	15.0	12.5
7	SM-7RS	17.5	15.0
8	SM-8RS	20.0	17.5
9	SM-9RS	22.5	20.0
10	SM-10RS	25.0	22.5
11	SM-11RS	27.5	25.0
12	SM-12RS	30.0	27.5

GENERAL TOLERANCES (UNLESS SPECIFIED)		ZHE JIANG DELI CONNECTORS CO., LTD	
.X: ±0.25	X°: ±3.0°	PRODUCT NAME:	TITLE: 2.50 mm Pitch Wire To Wire Housing
.XX: ±0.15	.X°: ±2.0°	DL25007(SM)-RS	
.XXX: ±0.01	.XX°: ±1.0°	APPD.: Yuan Jun Rong	DATE: 21/12/01
FINISH:		CHKD.: Wu Hui	DATE: 21/12/01
DRAWING NO:		APPD.: Ren An De	DATE: 21/12/01
			PART NO:
			SCALE: N/A
			PAGE: 1/1
			UNITS: mm
			REV.: A

REV.	REVISION DESCRIPTION	DATE	APPD

NOTES

Available in 02 through 12 Circuits.
 Mates with R25007XXXX Series Housing.
 Material : Nylon UL94V-0(2).
 Green Material RoHS Compliant.



GENERAL TOLERANCES (UNLESS SPECIFIED)		ZHE JIANG DELI CONNECTORS CO., LTD	
.X: ±0.25	X° : ±3.0°	PRODUCT NAME: DL25007(SM)-1GRS	TITLE: 2.50 mm Pitch Wire To Wire Housing
.XX: ±0.15	.X° : ±2.0°	APPD.: Yuan Jun Rong	DATE: 21/08/01
.XXX: ±0.01	.XX° : ±1.0°	DATE: 21/08/01	PART NO:
FINISH:		CHKD.: Wu Hui	DATE: 21/08/01
DRAWING NO:	APPD.: Ren An De	DATE: 21/08/01	SCALE: N/A
			PAGE: 1/1
			UNITS: mm
			REV.: A

REV.	REVISION DESCRIPTION	DATE	APPD

NOTES

Used in DL25007-Y Series Housing.
Accepts AWG #28~22 Wire Range.

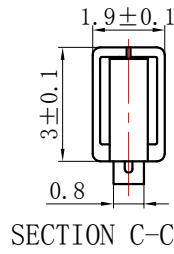
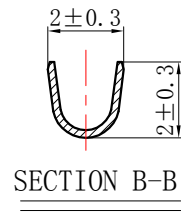
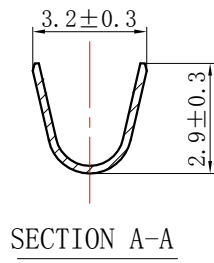
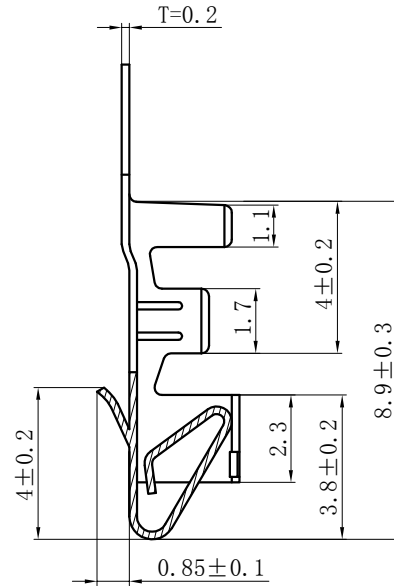
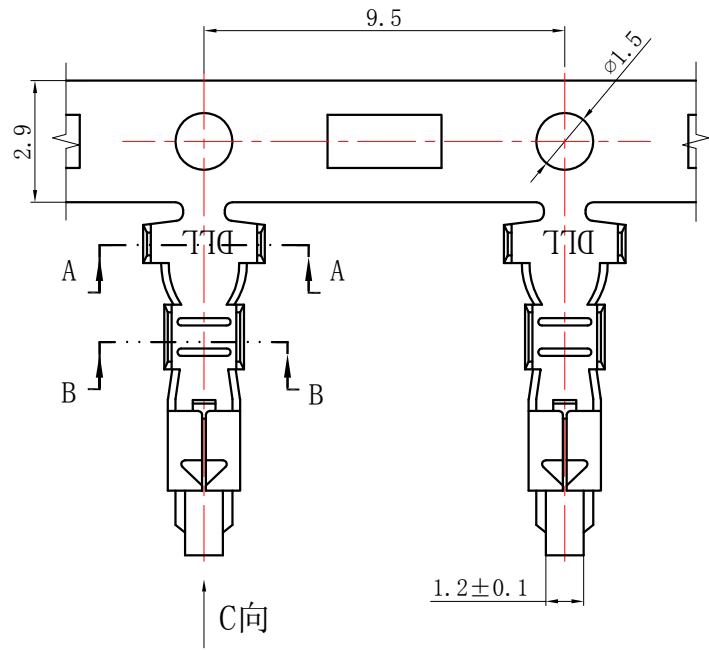
0.06~ 0.33 mm² .

Insulation O. D. =1.2~1.8 mm.

Material : Phosphor Bronze .

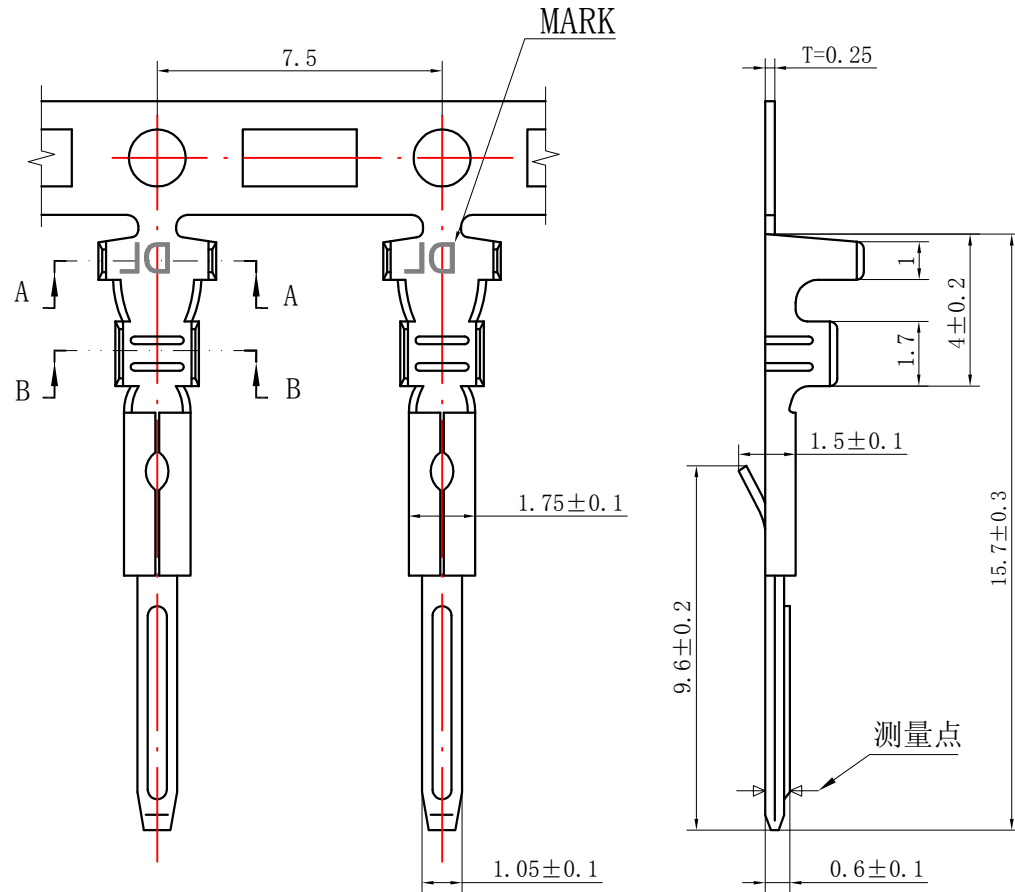
Finish: Tin plated.

Thickness: 0.2 mm.



GENERAL TOLERANCES (UNLESS SPECIFIED)		ZHE JIANG DELI CONNECTORS CO., LTD	
.X: ± 0.25	X°: $\pm 3.0^\circ$	PRODUCT NAME:	TITLE:
.XX: ± 0.15	.X°: $\pm 2.0^\circ$	DL25007 (SM)-T	2.5 mm pitch Wire To Wire Crimp Terminal
.XXX: ± 0.01	.XX°: $\pm 1.0^\circ$	DR: Chen Quan Long	DATE: 21/05/02
FINISH:		CHKD: Wu Hui	DATE: 21/05/02
DRAWING NO:		APPD: Ren An De	DATE: 21/05/02
		SCALE: N/A	PAGE: 1/1
		UNITS: mm	REV.: B

REV.	REVISION DESCRIPTION	DATE	APPD



NOTES

Used in DL25007-R Series Housing.
Accepts AWG #28~22 Wire Range.

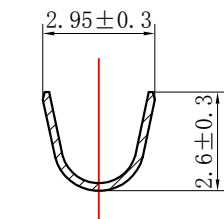
0.06~ 0.33 mm² .

Insulation O. D. =1.2~1.8 mm.

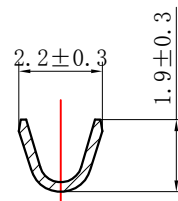
Material : Phosphor Bronze .

Finish: Tin plated.

Thickness: 0.25 mm.



SECTION A-A



SECTION B-B

GENERAL TOLERANCES (UNLESS SPECIFIED)		ZHE JIANG DELI CONNECTORS CO., LTD	
.X: ± 0.25	X° : ± 3.0°	PRODUCT NAME:	TITLE:
.XX: ± 0.15	.X° : ± 2.0°	DL25007 (SM)-RT	2.5 mm pitch Wire To Wire Crimp Terminal
.XXX: ± 0.01	.XX° : ± 1.0°	DR:Chen Quan Long	DATE:21/05/02
FINISH:		CHKD: Wu Hui	DATE:21/05/02
DRAWING NO:		APPD:Ren An De	DATE:21/05/02
		SCALE: N/A	PAGE: 1/1
		UNITS: mm	REV.: B

X-ON Electronics

Largest Supplier of Electrical and Electronic Components

Click to view similar products for [Headers & Wire Housings](#) category:

Click to view products by [DLL](#) manufacturer:

Other Similar products are found below :

[0015917161](#) [0022155065](#) [57102-F02-18ULF](#) [58102-G61-06LF](#) [582553-1](#) [01.001.5753.1](#) [0050291907](#) [02.125.8002.8](#) [609-3404](#) [61062-3](#)
[CSU011177004](#) [622-0430](#) [622-3653LF](#) [63453-116](#) [636-1030](#) [636-1427](#) [636-3427](#) [636-4007](#) [641938-9](#) [65495-038](#) [65692-001LF](#) [65781-018](#)
[65781-047](#) [65817-010LF](#) [65817-015LF](#) [67095-007LF](#) [67601157](#) [68631-112](#) [68645-018](#) [699319-000](#) [70.362.1628.0](#) [70-4210](#) [70-4226B](#) [70-](#)
[4853B](#) [71.350.2428.0](#) [733-134](#) [733-162](#) [760-3052](#) [MHR-64-VUAL](#) [80.063.4001.1](#) [800-90-001-10-001000](#) [801-43-002-10-013000](#)
[801-43-006-10-002000](#) [803-43-024-10-001000](#) [803-93-012-10-001000](#) [8-1437020-4](#) [819-22-004-30-001101](#) [820-22-006-30-001101](#)
[820-22-008-30-001101](#) [821-22-002-10-001101](#)