

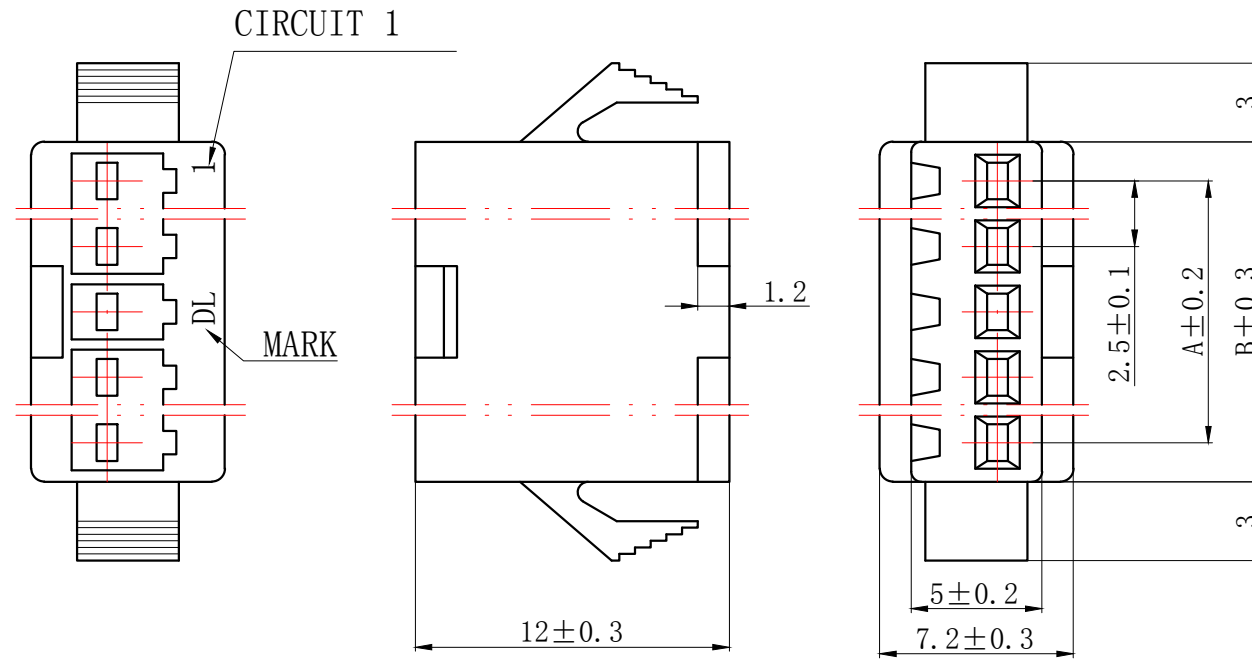
### 技术特性/Specifications:

额定电压 Rated voltage: 250V AC, DC  
额定电流 Rated current: 3A AC, DC  
接触电阻 Contact resistance: 20m $\Omega$  max  
绝缘电阻 Insulation resistance: 1000M $\Omega$  min  
耐压 Withstand voltage: 1000V AC/minute  
环境温度 Ambient temperature: -40 $^{\circ}$ C~+105 $^{\circ}$ C  
适用线规 Wire range: AWG#28~#22

REV.	REVISION DESCRIPTION	DATE	APPD

### NOTES

Available in 02 through 12 Circuits.  
 Mates with DL25007-R Series Housing.  
 Material : Nylon UL94V-0(2).  
 Accepts DL25007-T Crimp Terminal.



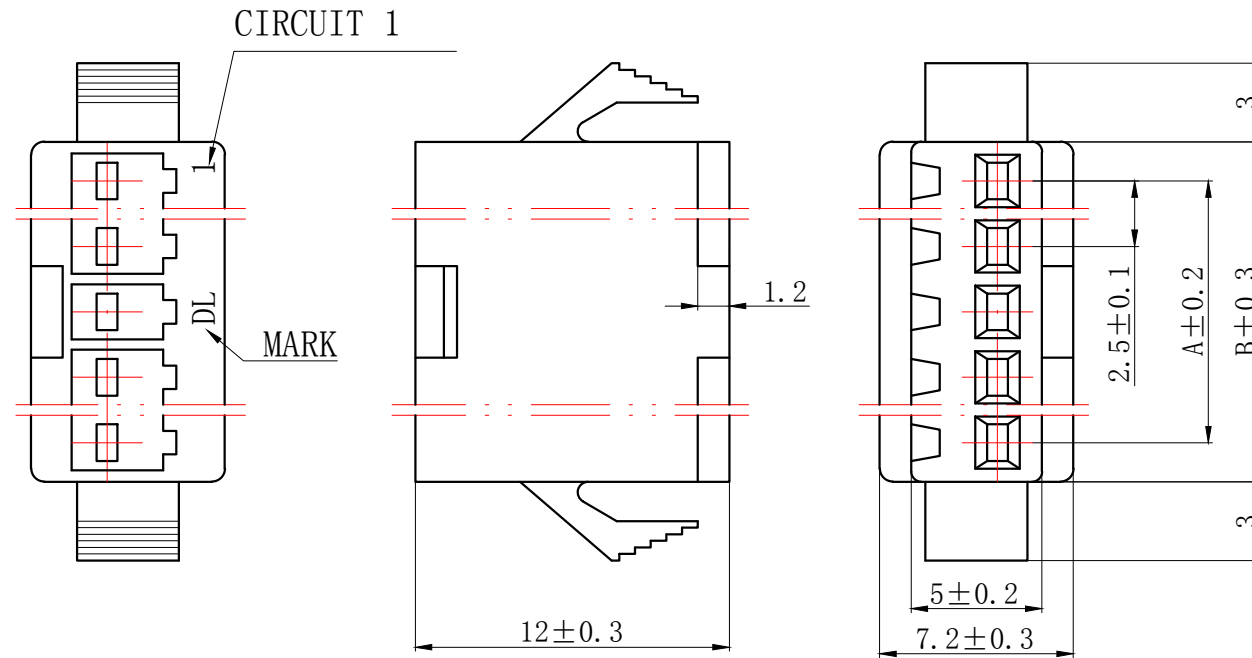
Circuits	Product name	Dimension mm	
		A	B
2	SM-2Y	2.50	5.50
3	SM-3Y	5.00	8.00
4	SM-4Y	7.50	10.50
5	SM-5Y	10.00	13.00
6	SM-6Y	12.50	15.50
7	SM-7Y	15.00	18.00
8	SM-8Y	17.50	20.50
9	SM-9Y	20.00	23.00
10	SM-10Y	22.50	25.50
11	SM-11Y	25.00	28.00
12	SM-12Y	27.50	30.50

GENERAL TOLERANCES (UNLESS SPECIFIED)		ZHE JIANG DELI CONNECTORS CO., LTD	
.X: $\pm 0.25$	X°: $\pm 3.0^\circ$	PRODUCT NAME: <b>DL25007(SM)-Y</b>	
.XX: $\pm 0.15$	.X°: $\pm 2.0^\circ$	TITLE: 2.50 mm Pitch Wire To Wire Housing	
.XXX: $\pm 0.01$	.XX°: $\pm 1.0^\circ$	DR: Chen Quan Long	DATE: 21/12/30
FINISH: _____		CHKD: Wu Hui	DATE: 21/12/30
DRAWING NO: _____		APPD: Ren An De	DATE: 21/12/30
		SCALE: N/A	PAGE: 1/1
		UNITS: mm	REV.: A

REV.	REVISION DESCRIPTION	DATE	APPD

### NOTES

Available in 02 through 12 Circuits.  
 Mates with DL25007-R Series Housing.  
 Material : Nylon UL94V-0(2).  
 Accepts DL25007-T Crimp Terminal.



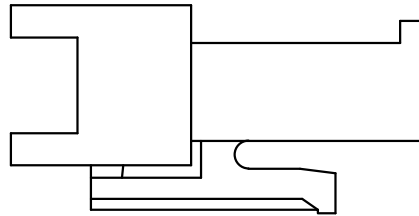
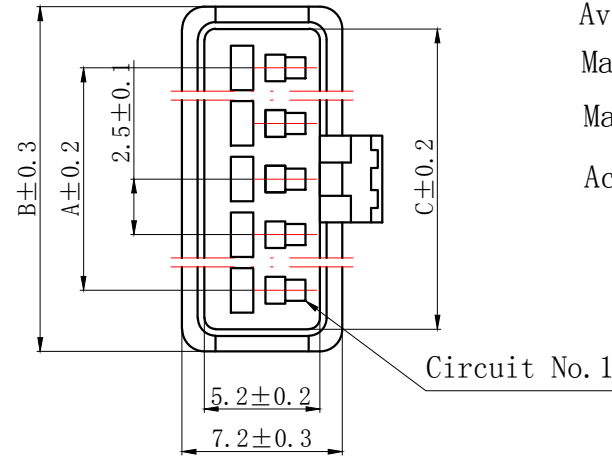
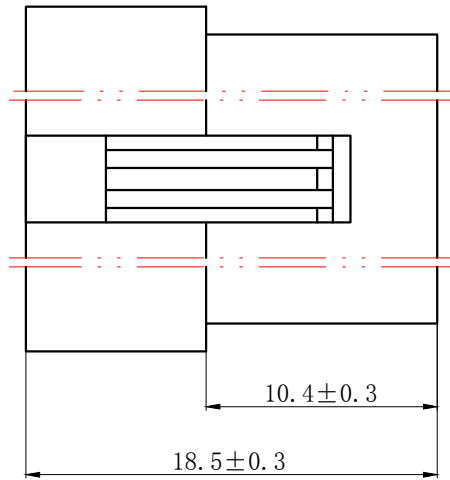
Circuits	Product name	Dimension mm	
		A	B
2	SM-2Y-02	2.50	5.50
3	SM-3Y-02	5.00	8.00
4	SM-4Y-02	7.50	10.50
5	SM-5Y-02	10.00	13.00
6	SM-6Y-02	12.50	15.50
7	SM-7Y-02	15.00	18.00
8	SM-8Y-02	17.50	20.50
9	SM-9Y-02	20.00	23.00
10	SM-10Y-02	22.50	25.50
11	SM-11Y-02	25.00	28.00
12	SM-12Y-02	27.50	30.50

GENERAL TOLERANCES (UNLESS SPECIFIED)		ZHE JIANG DELI CONNECTORS CO., LTD	
.X: $\pm 0.25$	X°: $\pm 3.0^\circ$	PRODUCT NAME: <b>DL25007(SM)-Y-02</b>	
.XX: $\pm 0.15$	.X°: $\pm 2.0^\circ$	TITLE: 2.50 mm Pitch Wire To Wire Housing	
.XXX: $\pm 0.01$	.XX°: $\pm 1.0^\circ$	DR: Chen Quan Long	DATE: 21/12/30
FINISH: _____		CHKD: Wu Hui	DATE: 21/12/30
DRAWING NO: _____		APPD: Ren An De	DATE: 21/12/30
		SCALE: N/A	PAGE: 1/1
		UNITS: mm	REV.: A

REV.	REVISION DESCRIPTION	DATE	APPD

## NOTES

Available in 02 through 12 Circuits.  
Mates with DL25007-Y Series Housing.  
Material : Nylon UL94V-0(2).  
Accepts DL25007-RT Crimp Terminal.



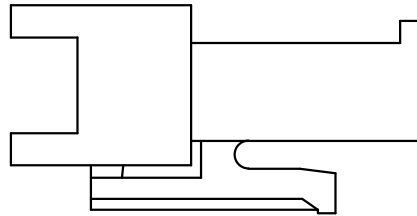
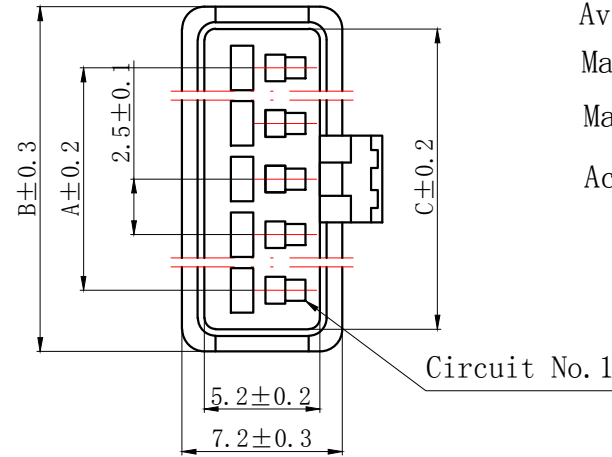
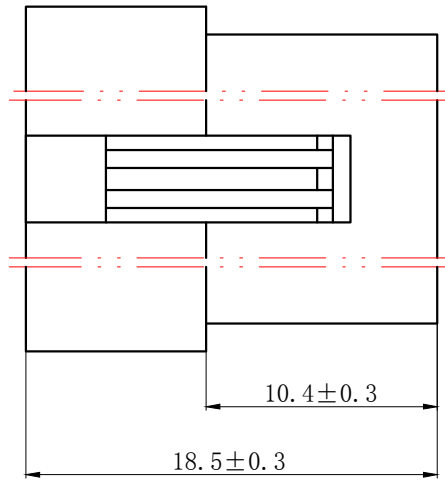
Circuits	Product name	Dimensino(mm)		
		A	B	C
2	SM-2R	2.5	8.0	5.8
3	SM-3R	5.0	10.5	8.3
4	SM-4R	7.5	13.0	10.8
5	SM-5R	10.0	15.5	13.3
6	SM-6R	12.5	18.0	15.8
7	SM-7R	15.0	20.5	18.3
8	SM-8R	17.5	23.0	20.8
9	SM-9R	20.0	25.5	23.3
10	SM-10R	22.5	28.0	25.8
11	SM-11R	25.0	30.5	28.3
12	SM-12R	27.5	33.0	30.8

GENERAL TOLERANCES (UNLESS SPECIFIED)		ZHE JIANG DELI CONNECTORS CO., LTD	
.X: $\pm 0.25$	X°: $\pm 3.0^\circ$	PRODUCT NAME:	TITLE: 2.50 mm Pitch Wire To Wire Housing
.XX: $\pm 0.15$	.X°: $\pm 2.0^\circ$	<b>DL25007(SM)-R</b>	PART NO:
.XXX: $\pm 0.01$	.XX°: $\pm 1.0^\circ$	DR: Chen Quan Long	DATE: 21/12/30
FINISH:		CHKD: Wu Hui	DATE: 21/12/30
DRAWING NO:		APPD: Ren An De	DATE: 21/12/30
		SCALE: N/A	PAGE: 1/1
		UNITS: mm	REV.: A

REV.	REVISION DESCRIPTION	DATE	APPD

## NOTES

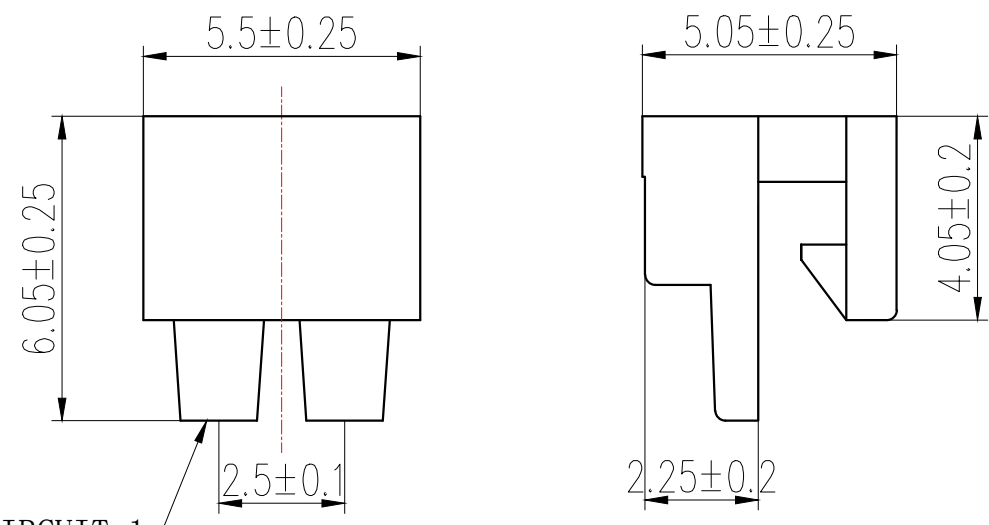
Available in 02 through 12 Circuits.  
Mates with DL25007-Y Series Housing.  
Material : Nylon UL94V-0(2).  
Accepts DL25007-RT Crimp Terminal.



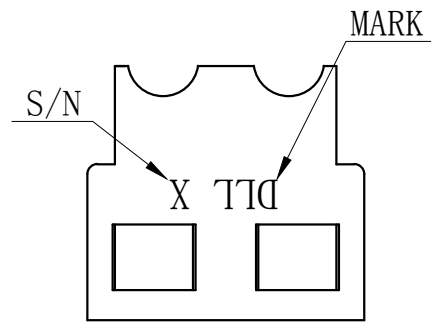
Circuits	Product name	Dimensino (mm)		
		A	B	C
2	SM-2R-02	2.5	8.0	5.8
3	SM-3R-02	5.0	10.5	8.3
4	SM-4R-02	7.5	13.0	10.8
5	SM-5R-02	10.0	15.5	13.3
6	SM-6R-02	12.5	18.0	15.8
7	SM-7R-02	15.0	20.5	18.3
8	SM-8R-02	17.5	23.0	20.8
9	SM-9R-02	20.0	25.5	23.3
10	SM-10R-02	22.5	28.0	25.8
11	SM-11R-02	25.0	30.5	28.3
12	SM-12R-02	27.5	33.0	30.8

GENERAL TOLERANCES (UNLESS SPECIFIED)		ZHE JIANG DELI CONNECTORS CO., LTD	
.X: $\pm 0.25$	X°: $\pm 3.0^\circ$	PRODUCT NAME:	TITLE: 2.50 mm Pitch Wire To Wire Housing
.XX: $\pm 0.15$	.X°: $\pm 2.0^\circ$	<b>DL25007(SM)-R-02</b>	PART NO:
.XXX: $\pm 0.01$	.XX°: $\pm 1.0^\circ$	DR: Chen Quan Long	DATE: 21/12/30
FINISH:		CHKD: Wu Hui	DATE: 21/12/30
DRAWING NO:		APPD: Ren An De	DATE: 21/12/30
		SCALE: N/A	PAGE: 1/1
		UNITS: mm	REV.: A

REV.	REVISION DESCRIPTION	DATE	APPD



CIRCUIT 1



## NOTES

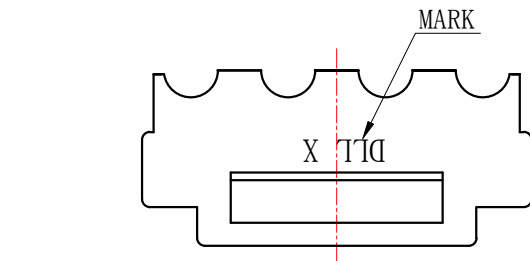
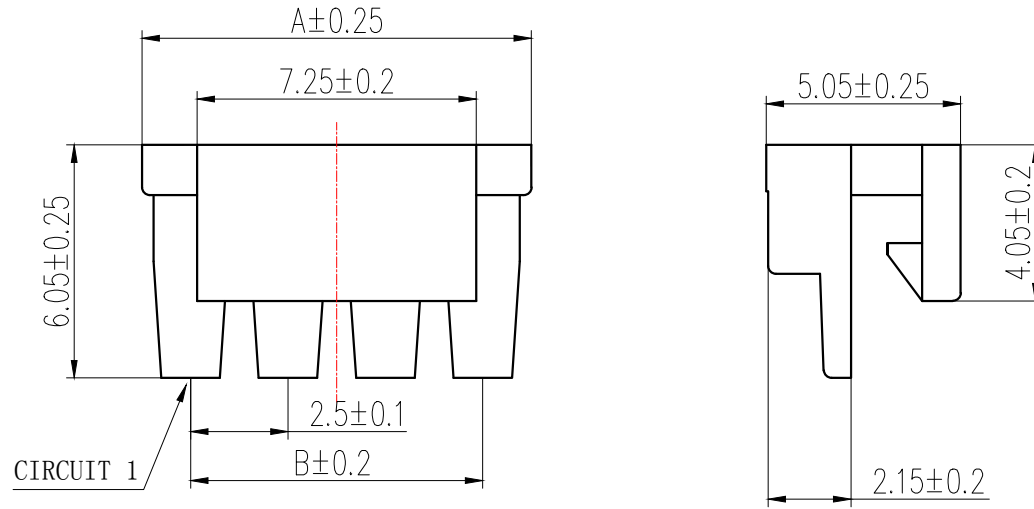
Available in 02 Circuits.  
 Mates with Y25007XXXX Series Housing.  
 Material : Nylon UL94V-0(2).  
 Green Material RoHS Compliant.

GENERAL TOLERANCES (UNLESS SPECIFIED)		ZHE JIANG DELI CONNECTORS CO., LTD	
.X: ±0.25	X°: ±3.0°	PRODUCT NAME: <b>DL25007 (SM)-2PS</b>	TITLE: 2.50 mm Pitch Wire To Wire Housing
.XX: ±0.15	.X°: ±2.0°	APPD.: Yuan Jun Rong	DATE: 21/12/01
.XXX: ±0.01	.XX°: ±1.0°	CHKD.: Wu Hui	DATE: 21/12/01
FINISH: _____		APPD.: Ren An De	DATE: 21/12/01
DRAWING NO:		SCALE: N/A	PAGE: 1/1
		UNITS: mm	REV.: A

REV.	REVISION DESCRIPTION	DATE	APPD

## NOTES

Available in 03 through 12 Circuits.  
 Mates with Y25007XXXX Series Housing.  
 Material : Nylon UL94V-0(2).  
 Green Material RoHS Compliant.



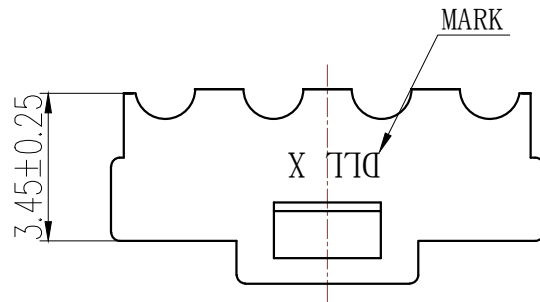
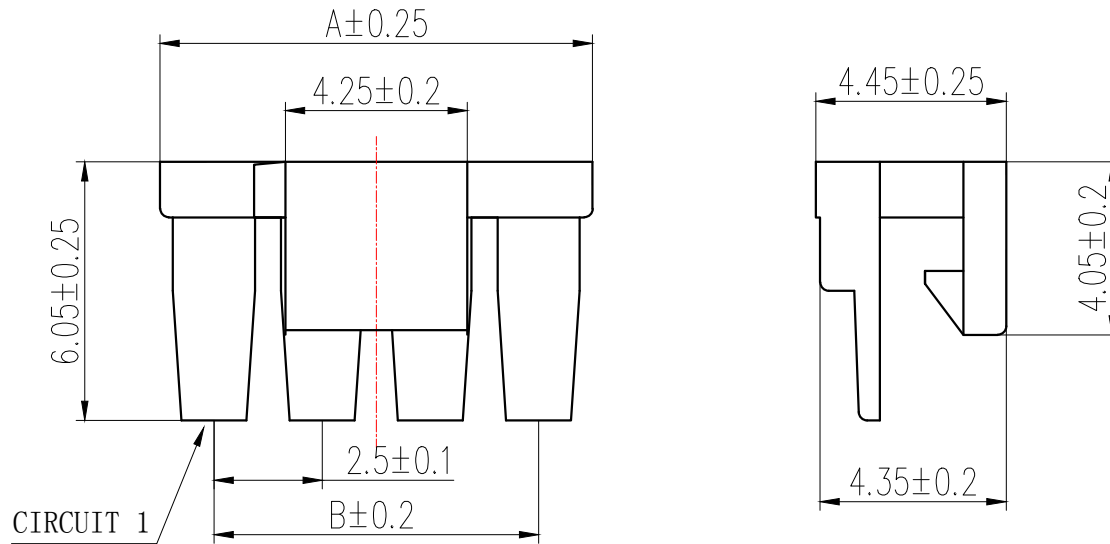
Circuits	Product name	Dimension mm	
		A	B
3	SM-3PS	7.5	5.0
4	SM-4PS	10.0	7.5
5	SM-5PS	12.5	10.0
6	SM-6PS	15.0	12.5
7	SM-7PS	17.5	15.0
8	SM-8PS	20.0	17.5
9	SM-9PS	22.5	20.0
10	SM-10PS	25.0	22.5
11	SM-11PS	27.5	25.0
12	SM-12PS	30.0	27.5

GENERAL TOLERANCES (UNLESS SPECIFIED)		ZHE JIANG DELI CONNECTORS CO., LTD	
.X: ±0.25	X°: ±3.0°	PRODUCT NAME:	TITLE: 2.50 mm Pitch
.XX: ±0.15	.X°: ±2.0°	DL25007(SM)-PS	Wire To Wire Housing
.XXX: ±0.01	.XX°: ±1.0°	APPD.: Yuan Jun Rong	DATE: 21/12/01
FINISH:		CHKD.: Wu Hui	DATE: 21/12/01
DRAWING NO:		APPD.: Ren An De	DATE: 21/12/01
			PART NO:
			SCALE: N/A
			PAGE: 1/1
			UNITS: mm
			REV.: A

REV.	REVISION DESCRIPTION	DATE	APPD

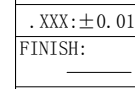
### NOTES

Available in 02 through 12 Circuits.  
 Mates with R25007XXXX Series Housing.  
 Material : Nylon UL94V-0(2).  
 Green Material RoHS Compliant.



Circuits	Product name	Dimension mm	
		A	B
2	SM-2RS	5.0	2.5
3	SM-3RS	7.5	5.0
4	SM-4RS	10.0	7.5
5	SM-5RS	12.5	10.0
6	SM-6RS	15.0	12.5
7	SM-7RS	17.5	15.0
8	SM-8RS	20.0	17.5
9	SM-9RS	22.5	20.0
10	SM-10RS	25.0	22.5
11	SM-11RS	27.5	25.0
12	SM-12RS	30.0	27.5

GENERAL TOLERANCES (UNLESS SPECIFIED)		ZHE JIANG DELI CONNECTORS CO., LTD	
.X: ±0.25	X°: ±3.0°	PRODUCT NAME: DL25007(SM)-RS	TITLE: 2.50 mm Pitch Wire To Wire Housing
.XX: ±0.15	.X°: ±2.0°	APPD.:Yuan Jun Rong	DATE:21/12/01
.XXX: ±0.01	.XX°: ±1.0°	CHKD.:Wu Hui	DATE:21/12/01
FINISH: _____		APPD.:Ren An De	DATE:21/12/01
DRAWING NO:			



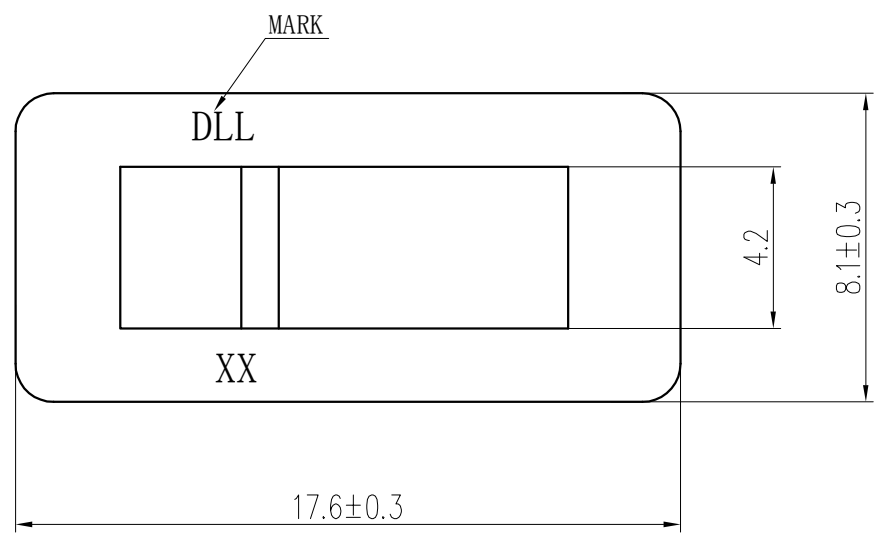
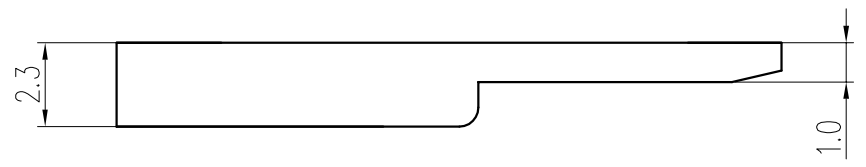
SCALE: N/A	PAGE: 1/1
UNITS: mm	REV.: A



REV.	REVISION DESCRIPTION	DATE	APPD

### NOTES

Available in 02 through 12 Circuits.  
 Mates with R25007XXXX Series Housing.  
 Material : Nylon UL94V-0(2).  
 Green Material RoHS Compliant.



GENERAL TOLERANCES (UNLESS SPECIFIED)		ZHE JIANG DELI CONNECTORS CO., LTD	
.X: $\pm 0.25$	X° : $\pm 3.0^\circ$	PRODUCT NAME: DL25007(SM)-1GRS	TITLE: 2.50 mm Pitch Wire To Wire Housing
.XX: $\pm 0.15$	.X° : $\pm 2.0^\circ$	APPD.: Yuan Jun Rong	DATE: 21/08/01
.XXX: $\pm 0.01$	.XX° : $\pm 1.0^\circ$	DATE: 21/08/01	PART NO:
FINISH:		CHKD.: Wu Hui	DATE: 21/08/01
DRAWING NO:	APPD.: Ren An De	DATE: 21/08/01	SCALE: N/A
			PAGE: 1/1
			UNITS: mm
			REV.: A

REV.	REVISION DESCRIPTION	DATE	APPD

## NOTES

Used in DL25007-Y Series Housing.  
Accepts AWG #28~22 Wire Range.

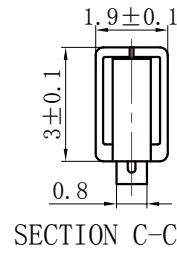
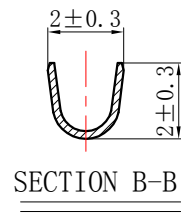
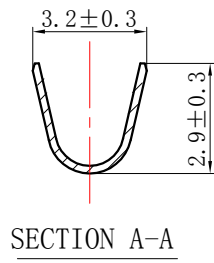
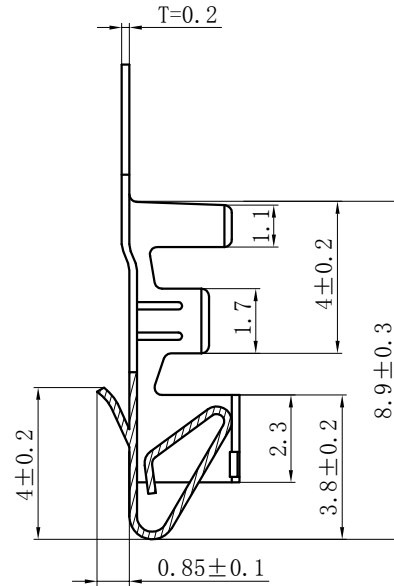
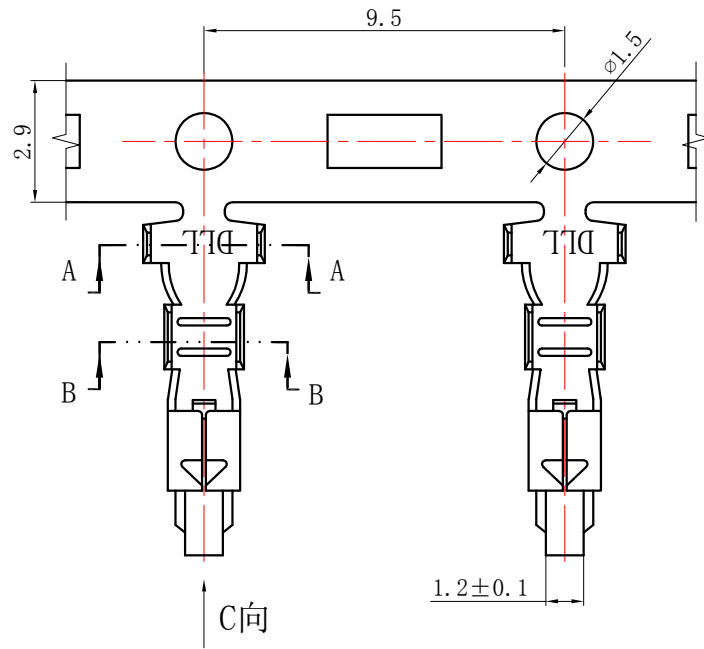
0.06~ 0.33 mm<sup>2</sup> .

Insulation O. D. =1.2~1.8 mm.

Material : Phosphor Bronze .

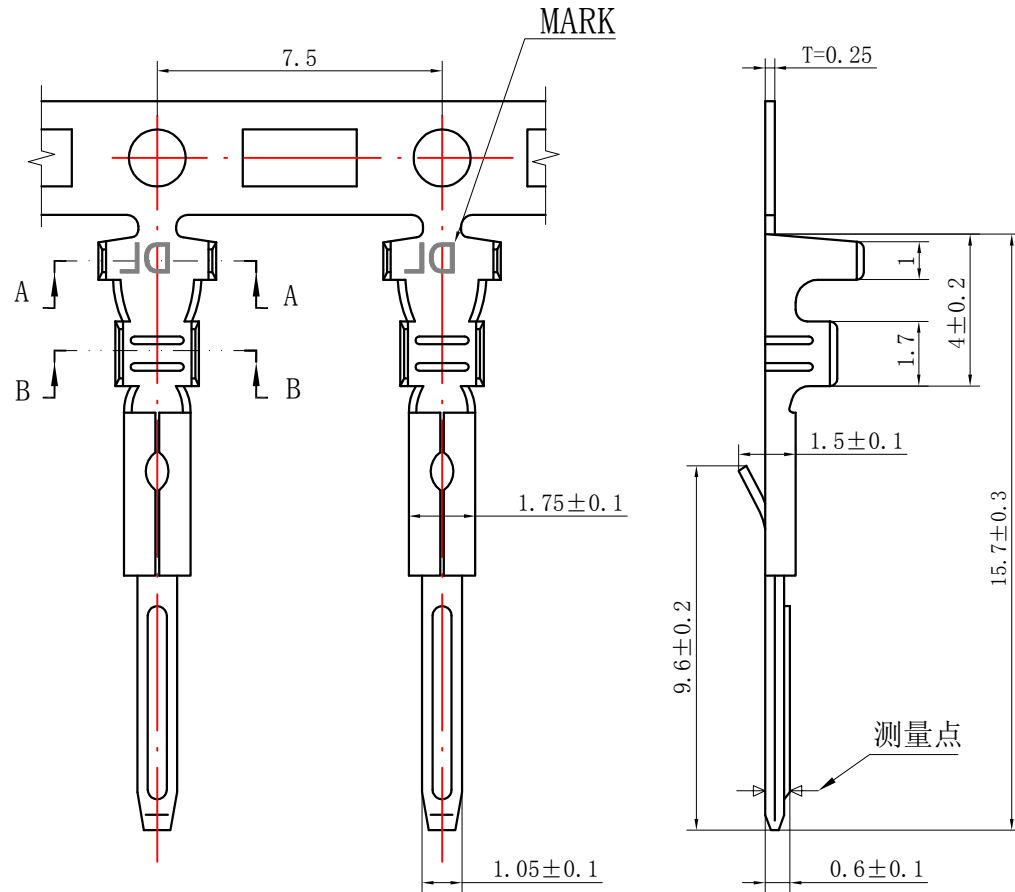
Finish: Tin plated.

Thickness: 0.2 mm.



GENERAL TOLERANCES (UNLESS SPECIFIED)		ZHE JIANG DELI CONNECTORS CO., LTD	
.X: ± 0.25	X° : ± 3.0°	PRODUCT NAME:	TITLE: 2.5 mm pitch Wire To Wire Crimp Terminal
.XX: ± 0.15	.X° : ± 2.0°	<b>DL25007 (SM)-T</b>	PART NO:
.XXX: ± 0.01	.XX° : ± 1.0°	DR:Chen Quan Long	DATE:21/05/02
FINISH:		CHKD: Wu Hui	DATE:21/05/02
DRAWING NO:		APPD:Ren An De	DATE:21/05/02
		SCALE: N/A	PAGE: 1/1
		UNITS: mm	REV.: B

REV.	REVISION DESCRIPTION	DATE	APPD



## NOTES

Used in DL25007-R Series Housing.  
Accepts AWG #28~22 Wire Range.

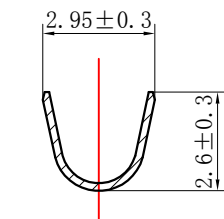
0.06~ 0.33 mm<sup>2</sup> .

Insulation O. D. =1.2~1.8 mm.

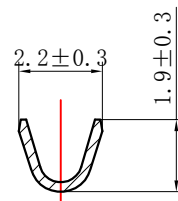
Material : Phosphor Bronze .

Finish: Tin plated.

Thickness: 0.25 mm.



SECTION A-A



SECTION B-B

GENERAL TOLERANCES (UNLESS SPECIFIED)		ZHE JIANG DELI CONNECTORS CO., LTD	
.X: ± 0.25	X° : ± 3.0°	PRODUCT NAME:	TITLE: 2.5 mm pitch Wire To Wire Crimp Terminal
.XX: ± 0.15	.X° : ± 2.0°	DL25007 (SM)-RT	PART NO:
.XXX: ± 0.01	.XX° : ± 1.0°	DR:Chen Quan Long	DATE:21/05/02
FINISH:		CHKD: Wu Hui	DATE:21/05/02
DRAWING NO:		APPD:Ren An De	DATE:21/05/02
		SCALE: N/A	PAGE: 1/1
		UNITS: mm	REV.: B

## **X-ON Electronics**

Largest Supplier of Electrical and Electronic Components

*Click to view similar products for [RF Connector Accessories](#) category:*

*Click to view products by [DLL](#) manufacturer:*

Other Similar products are found below :

[89674-0712](#) [FERRULE-174](#) [R141802000](#) [R141842000](#) [R141862000W](#) [R280907000](#) [AX102907](#) [HP-500](#) [2098-3251-94](#) [KA-81-02](#) [KA-81-05](#) [KN-89-12](#) [89674-0805](#) [FERRULE-223](#) [202102-11](#) [R280468000](#) [R280510000](#) [RFI155-1](#) [RFI25-12-D3](#) [RFI25-4-D2](#) [RFI75-12-D2](#) [RFI97-14](#) [360HS001M2508M6](#) [4-1532137-4](#) [HRM-514S\(40\)](#) [5-21085-0](#) [111062-0490](#) [112122-SOD-LUG](#) [IPP-2014](#) [RFI95-14-D2](#) [MX-913/U\(45\)](#) [1736-1511-075](#) [RFI75-2-D3](#) [RFI25-3-D3](#) [R280469010](#) [RFI85-4](#) [896110450](#) [660-024M09S5-01](#) [1403137-1](#) [360HB001M2512H](#) [360HS001M1716M3](#) [380HS115M2508H3](#) [380HS001M1716M4](#) [FERRULE-316DB](#) [105274-2000](#) [73415-1970](#) [R280755050W](#) [52014041A](#) [R447120000](#) [BNC-JCAP\(01\)](#)