



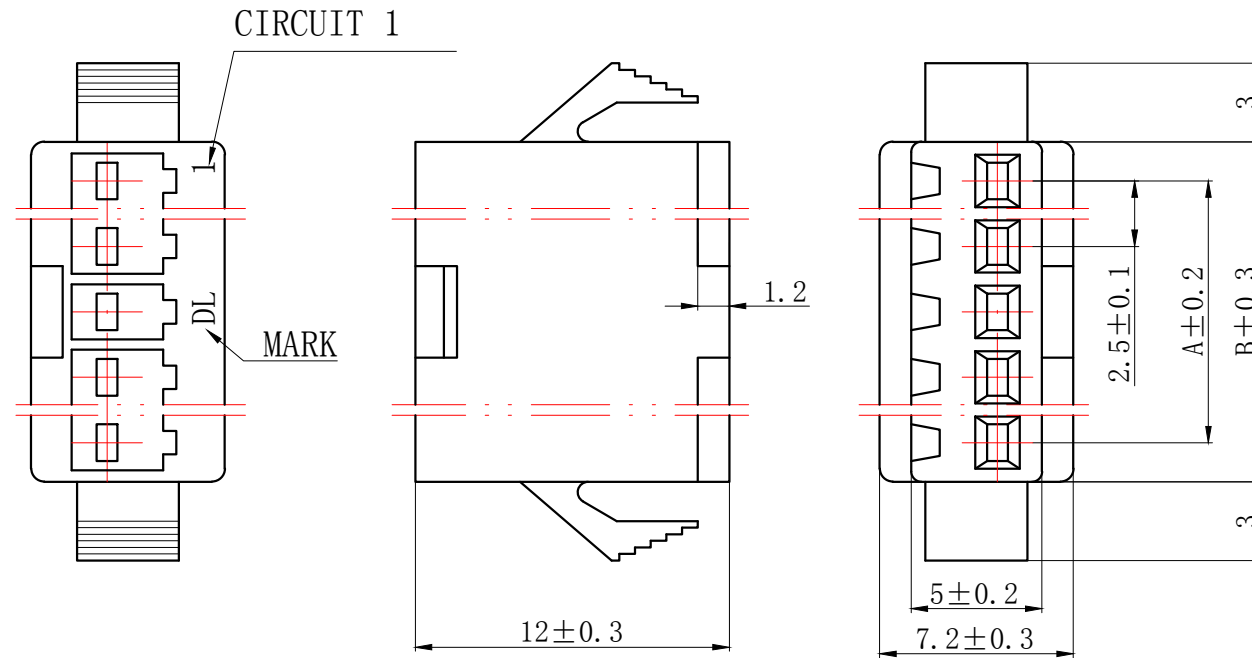
技术特性/Specifications:

额定电压 Rated voltage: 250V AC, DC
额定电流 Rated current: 3A AC, DC
接触电阻 Contact resistance: 20m Ω max
绝缘电阻 Insulation resistance: 1000M Ω min
耐压 Withstand voltage: 1000V AC/minute
环境温度 Ambient temperature: -40 $^{\circ}$ C~+105 $^{\circ}$ C
适用线规 Wire range: AWG#28~#22

| REV. | REVISION DESCRIPTION | DATE | APPD |
|------|----------------------|------|------|
| | | | |

NOTES

Available in 02 through 12 Circuits.
Mates with DL25007-R Series Housing.
Material : Nylon UL94V-0(2).
Accepts DL25007-T Crimp Terminal.



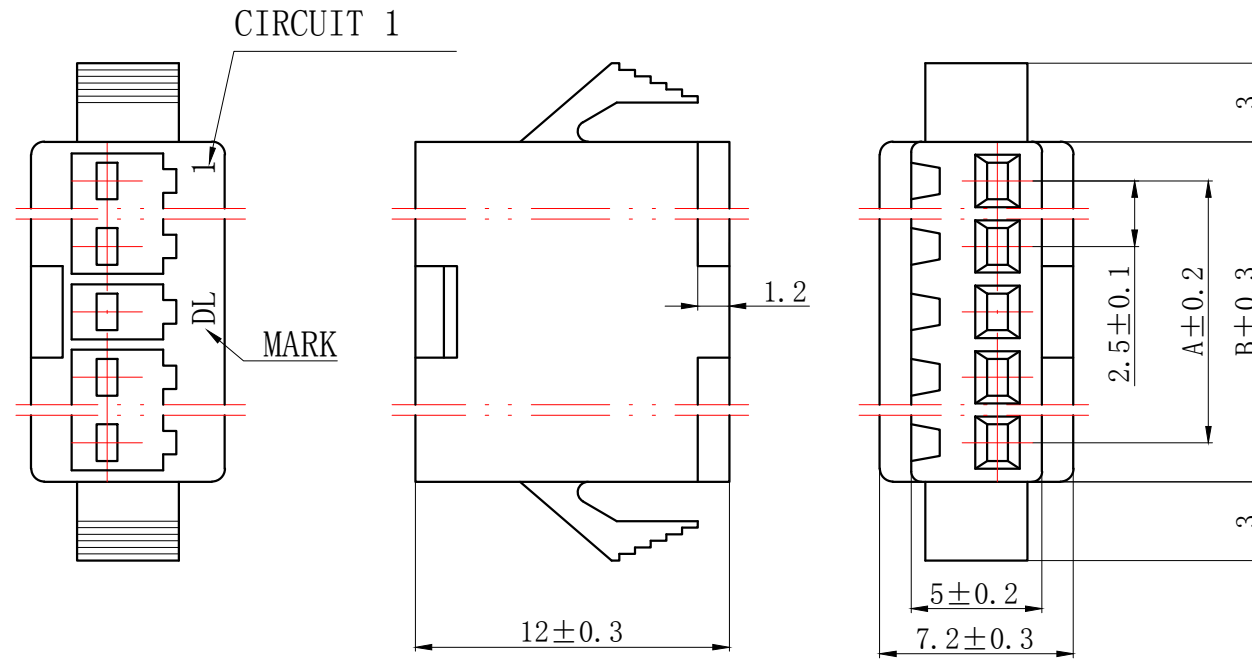
| Circuits | Product name | Dimension mm | |
|----------|--------------|--------------|-------|
| | | A | B |
| 2 | SM-2Y | 2.50 | 5.50 |
| 3 | SM-3Y | 5.00 | 8.00 |
| 4 | SM-4Y | 7.50 | 10.50 |
| 5 | SM-5Y | 10.00 | 13.00 |
| 6 | SM-6Y | 12.50 | 15.50 |
| 7 | SM-7Y | 15.00 | 18.00 |
| 8 | SM-8Y | 17.50 | 20.50 |
| 9 | SM-9Y | 20.00 | 23.00 |
| 10 | SM-10Y | 22.50 | 25.50 |
| 11 | SM-11Y | 25.00 | 28.00 |
| 12 | SM-12Y | 27.50 | 30.50 |

| GENERAL TOLERANCES (UNLESS SPECIFIED) | | ZHE JIANG DELI CONNECTORS CO., LTD | |
|--|---------------|---|----------------|
| .X: ± 0.25 | X° : ± 3.0° | PRODUCT NAME: DL25007 (SM)-Y | |
| .XX: ± 0.15 | .X° : ± 2.0° | TITLE: 2.50 mm Pitch Wire To Wire Housing | |
| .XXX: ± 0.01 | .XX° : ± 1.0° | PART NO: | |
| FINISH: _____ | | DR: Chen Quan Long | DATE: 21/12/30 |
| DRAWING NO: | | CHKD: Wu Hui | DATE: 21/12/30 |
| | | APPD: Ren An De | DATE: 21/12/30 |
| | | SCALE: N/A | PAGE: 1/1 |
| | | UNITS: mm | REV.: A |

| REV. | REVISION DESCRIPTION | DATE | APPD |
|------|----------------------|------|------|
| | | | |

NOTES

Available in 02 through 12 Circuits.
 Mates with DL25007-R Series Housing.
 Material : Nylon UL94V-0(2).
 Accepts DL25007-T Crimp Terminal.



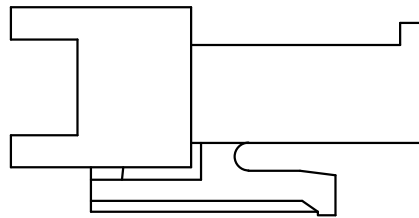
| Circuits | Product name | Dimension mm | |
|----------|--------------|--------------|-------|
| | | A | B |
| 2 | SM-2Y-02 | 2.50 | 5.50 |
| 3 | SM-3Y-02 | 5.00 | 8.00 |
| 4 | SM-4Y-02 | 7.50 | 10.50 |
| 5 | SM-5Y-02 | 10.00 | 13.00 |
| 6 | SM-6Y-02 | 12.50 | 15.50 |
| 7 | SM-7Y-02 | 15.00 | 18.00 |
| 8 | SM-8Y-02 | 17.50 | 20.50 |
| 9 | SM-9Y-02 | 20.00 | 23.00 |
| 10 | SM-10Y-02 | 22.50 | 25.50 |
| 11 | SM-11Y-02 | 25.00 | 28.00 |
| 12 | SM-12Y-02 | 27.50 | 30.50 |

| GENERAL TOLERANCES (UNLESS SPECIFIED) | | ZHE JIANG DELI CONNECTORS CO., LTD | |
|--|-----------------------|---|----------------|
| .X: ± 0.25 | X°: $\pm 3.0^\circ$ | PRODUCT NAME: DL25007(SM)-Y-02 | |
| .XX: ± 0.15 | .X°: $\pm 2.0^\circ$ | TITLE: 2.50 mm Pitch Wire To Wire Housing | |
| .XXX: ± 0.01 | .XX°: $\pm 1.0^\circ$ | DR: Chen Quan Long | DATE: 21/12/30 |
| FINISH: _____ | | CHKD: Wu Hui | DATE: 21/12/30 |
| DRAWING NO: _____ | | APPD: Ren An De | DATE: 21/12/30 |
| | | SCALE: N/A | PAGE: 1/1 |
| | | UNITS: mm | REV.: A |

| REV. | REVISION DESCRIPTION | DATE | APPD |
|------|----------------------|------|------|
| | | | |

NOTES

Available in 02 through 12 Circuits.
 Mates with DL25007-Y Series Housing.
 Material : Nylon UL94V-0(2).
 Accepts DL25007-RT Crimp Terminal.



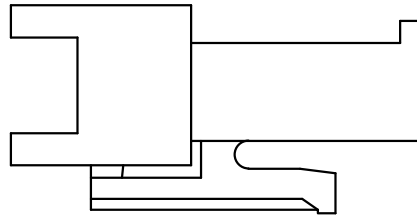
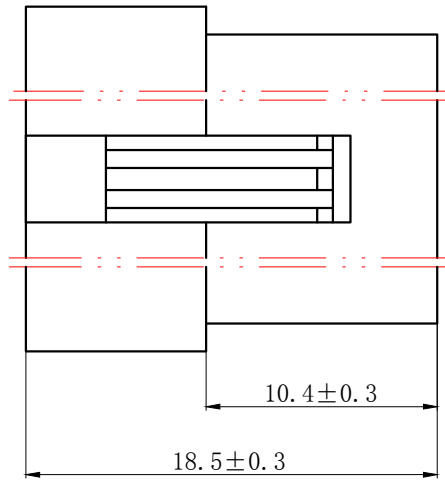
| Circuits | Product name | Dimensino(mm) | | |
|----------|--------------|---------------|------|------|
| | | A | B | C |
| 2 | SM-2R | 2.5 | 8.0 | 5.8 |
| 3 | SM-3R | 5.0 | 10.5 | 8.3 |
| 4 | SM-4R | 7.5 | 13.0 | 10.8 |
| 5 | SM-5R | 10.0 | 15.5 | 13.3 |
| 6 | SM-6R | 12.5 | 18.0 | 15.8 |
| 7 | SM-7R | 15.0 | 20.5 | 18.3 |
| 8 | SM-8R | 17.5 | 23.0 | 20.8 |
| 9 | SM-9R | 20.0 | 25.5 | 23.3 |
| 10 | SM-10R | 22.5 | 28.0 | 25.8 |
| 11 | SM-11R | 25.0 | 30.5 | 28.3 |
| 12 | SM-12R | 27.5 | 33.0 | 30.8 |

| GENERAL TOLERANCES (UNLESS SPECIFIED) | | ZHE JIANG DELI CONNECTORS CO., LTD | | | |
|---------------------------------------|-----------------------|---------------------------------------|----------------|--|------------|
| .X: ± 0.25 | X°: $\pm 3.0^\circ$ | PRODUCT NAME: DL25007(SM)-R | | TITLE: 2.50 mm Pitch Wire To Wire Housing | |
| .XX: ± 0.15 | .X°: $\pm 2.0^\circ$ | DR: Chen Quan Long | DATE: 21/12/30 | PART NO: | |
| .XXX: ± 0.01 | .XX°: $\pm 1.0^\circ$ | FINISH: | CHKD: Wu Hui | DATE: 21/12/30 | SCALE: N/A |
| DRAWING NO: | | APPD: Ren An De | DATE: 21/12/30 | UNITS: mm | PAGE: 1/1 |
| | | | | REV.: A | |

| REV. | REVISION DESCRIPTION | DATE | APPD |
|------|----------------------|------|------|
| | | | |

NOTES

Available in 02 through 12 Circuits.
Mates with DL25007-Y Series Housing.
Material : Nylon UL94V-0(2).
Accepts DL25007-RT Crimp Terminal.



| Circuits | Product name | Dimensino (mm) | | |
|----------|--------------|----------------|------|------|
| | | A | B | C |
| 2 | SM-2R-02 | 2.5 | 8.0 | 5.8 |
| 3 | SM-3R-02 | 5.0 | 10.5 | 8.3 |
| 4 | SM-4R-02 | 7.5 | 13.0 | 10.8 |
| 5 | SM-5R-02 | 10.0 | 15.5 | 13.3 |
| 6 | SM-6R-02 | 12.5 | 18.0 | 15.8 |
| 7 | SM-7R-02 | 15.0 | 20.5 | 18.3 |
| 8 | SM-8R-02 | 17.5 | 23.0 | 20.8 |
| 9 | SM-9R-02 | 20.0 | 25.5 | 23.3 |
| 10 | SM-10R-02 | 22.5 | 28.0 | 25.8 |
| 11 | SM-11R-02 | 25.0 | 30.5 | 28.3 |
| 12 | SM-12R-02 | 27.5 | 33.0 | 30.8 |

| GENERAL TOLERANCES (UNLESS SPECIFIED) | | ZHE JIANG DELI CONNECTORS CO., LTD | |
|---------------------------------------|-----------------------|------------------------------------|---|
| .X: ± 0.25 | X°: $\pm 3.0^\circ$ | PRODUCT NAME: | TITLE: 2.50 mm Pitch Wire To Wire Housing |
| .XX: ± 0.15 | .X°: $\pm 2.0^\circ$ | DR: Chen Quan Long | DATE: 21/12/30 |
| .XXX: ± 0.01 | .XX°: $\pm 1.0^\circ$ | DATE: 21/12/30 | PART NO: |
| FINISH: | | CHKD: Wu Hui | SCALE: N/A |
| DRAWING NO: | | APPD: Ren An De | PAGE: 1/1 |
| | | DATE: 21/12/30 | UNITS: mm |
| | | | REV.: A |

| REV. | REVISION DESCRIPTION | DATE | APPD |
|------|----------------------|------|------|
| | | | |



CIRCUIT 1



NOTES

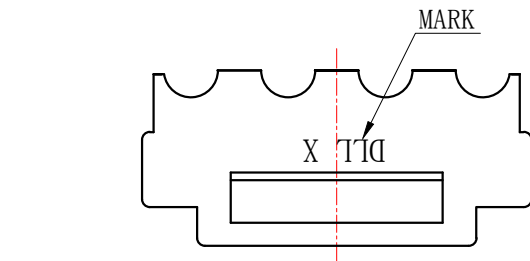
Available in 02 Circuits.
 Mates with Y25007XXXX Series Housing.
 Material : Nylon UL94V-0(2).
 Green Material RoHS Compliant.

| | | | |
|--|-------------|--|---|
| GENERAL TOLERANCES (UNLESS SPECIFIED) | | ZHE JIANG DELI CONNECTORS CO., LTD | |
| .X: ±0.25 | X°: ±3.0° | PRODUCT NAME: DL25007 (SM)-2PS | TITLE: 2.50 mm Pitch Wire To Wire Housing |
| .XX: ±0.15 | .X°: ±2.0° | APPD.: Yuan Jun Rong | DATE: 21/12/01 |
| .XXX: ±0.01 | .XX°: ±1.0° | CHKD.: Wu Hui | DATE: 21/12/01 |
| FINISH: _____ | | APPD.: Ren An De | DATE: 21/12/01 |
| DRAWING NO: | | SCALE: N/A | PAGE: 1/1 |
| | | UNITS: mm | REV.: A |

| REV. | REVISION DESCRIPTION | DATE | APPD |
|------|----------------------|------|------|
| | | | |

NOTES

Available in 03 through 12 Circuits.
 Mates with Y25007XXXX Series Housing.
 Material : Nylon UL94V-0(2).
 Green Material RoHS Compliant.



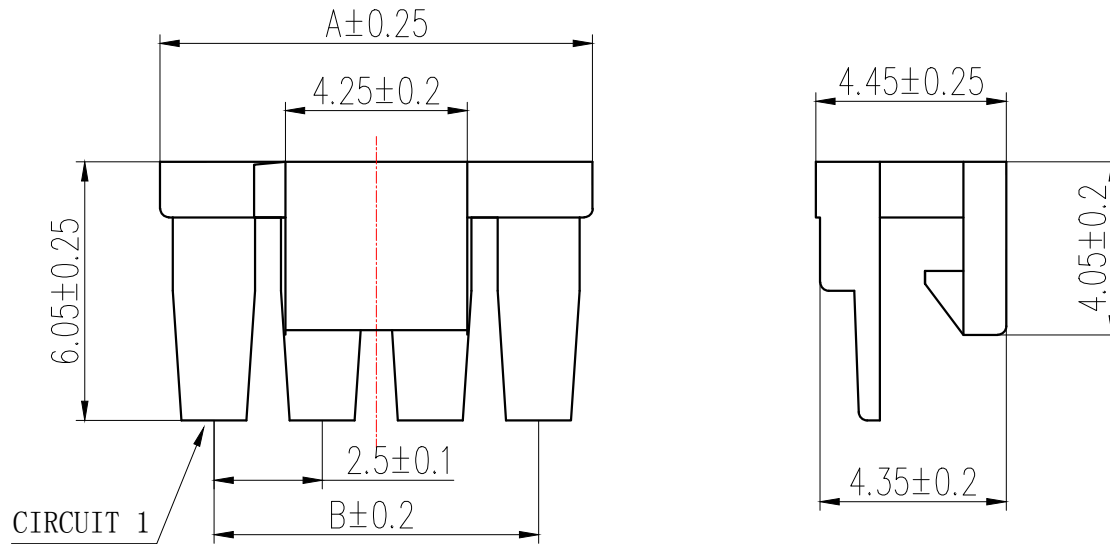
| Circuits | Product name | Dimension mm | |
|----------|--------------|--------------|------|
| | | A | B |
| 3 | SM-3PS | 7.5 | 5.0 |
| 4 | SM-4PS | 10.0 | 7.5 |
| 5 | SM-5PS | 12.5 | 10.0 |
| 6 | SM-6PS | 15.0 | 12.5 |
| 7 | SM-7PS | 17.5 | 15.0 |
| 8 | SM-8PS | 20.0 | 17.5 |
| 9 | SM-9PS | 22.5 | 20.0 |
| 10 | SM-10PS | 25.0 | 22.5 |
| 11 | SM-11PS | 27.5 | 25.0 |
| 12 | SM-12PS | 30.0 | 27.5 |

| GENERAL TOLERANCES (UNLESS SPECIFIED) | | ZHE JIANG DELI CONNECTORS CO., LTD | |
|---------------------------------------|-------------|------------------------------------|----------------------|
| .X: ±0.25 | X°: ±3.0° | PRODUCT NAME: | TITLE: 2.50 mm Pitch |
| .XX: ±0.15 | .X°: ±2.0° | DL25007(SM)-PS | Wire To Wire Housing |
| .XXX: ±0.01 | .XX°: ±1.0° | APPD.: Yuan Jun Rong | DATE: 21/12/01 |
| FINISH: | | CHKD.: Wu Hui | DATE: 21/12/01 |
| DRAWING NO: | | APPD.: Ren An De | DATE: 21/12/01 |
| | | | PART NO: |
| | | | SCALE: N/A |
| | | | PAGE: 1/1 |
| | | | UNITS: mm |
| | | | REV.: A |

| REV. | REVISION DESCRIPTION | DATE | APPD |
|------|----------------------|------|------|
| | | | |

NOTES

Available in 02 through 12 Circuits.
 Mates with R25007XXXX Series Housing.
 Material : Nylon UL94V-0(2).
 Green Material RoHS Compliant.



| Circuits | Product name | Dimension mm | |
|----------|--------------|--------------|------|
| | | A | B |
| 2 | SM-2RS | 5.0 | 2.5 |
| 3 | SM-3RS | 7.5 | 5.0 |
| 4 | SM-4RS | 10.0 | 7.5 |
| 5 | SM-5RS | 12.5 | 10.0 |
| 6 | SM-6RS | 15.0 | 12.5 |
| 7 | SM-7RS | 17.5 | 15.0 |
| 8 | SM-8RS | 20.0 | 17.5 |
| 9 | SM-9RS | 22.5 | 20.0 |
| 10 | SM-10RS | 25.0 | 22.5 |
| 11 | SM-11RS | 27.5 | 25.0 |
| 12 | SM-12RS | 30.0 | 27.5 |

| GENERAL TOLERANCES (UNLESS SPECIFIED) | | ZHE JIANG DELI CONNECTORS CO., LTD | |
|---------------------------------------|-------------|------------------------------------|---|
| .X: ±0.25 | X°: ±3.0° | PRODUCT NAME: DL25007(SM)-RS | TITLE: 2.50 mm Pitch Wire To Wire Housing |
| .XX: ±0.15 | .X°: ±2.0° | APPD.: Yuan Jun Rong | DATE: 21/12/01 |
| .XXX: ±0.01 | .XX°: ±1.0° | CHKD.: Wu Hui | DATE: 21/12/01 |
| FINISH: _____ | | APPD.: Ren An De | DATE: 21/12/01 |
| DRAWING NO: | | SCALE: N/A | PAGE: 1/1 |
| | | UNITS: mm | REV.: A |

| REV. | REVISION DESCRIPTION | DATE | APPD |
|------|----------------------|------|------|
| | | | |

NOTES

Available in 02 through 12 Circuits.
Mates with R25007XXXX Series Housing.
Material : Nylon UL94V-0(2).
Green Material RoHS Compliant.



| | | | |
|--|------------------|------------------------------------|---|
| GENERAL TOLERANCES (UNLESS SPECIFIED) | | ZHE JIANG DELI CONNECTORS CO., LTD | |
| .X: ±0.25 | X° : ±3.0° | PRODUCT NAME: DL25007(SM)-1GRS | TITLE: 2.50 mm Pitch Wire To Wire Housing |
| .XX: ±0.15 | .X° : ±2.0° | APPD.: Yuan Jun Rong | DATE: 21/08/01 |
| .XXX: ±0.01 | .XX° : ±1.0° | DATE: 21/08/01 | PART NO: |
| FINISH: | | CHKD.: Wu Hui | DATE: 21/08/01 |
| DRAWING NO: | APPD.: Ren An De | DATE: 21/08/01 | SCALE: N/A |
| | | | PAGE: 1/1 |
| | | | UNITS: mm |
| | | | REV.: A |

| REV. | REVISION DESCRIPTION | DATE | APPD |
|------|----------------------|------|------|
| | | | |

NOTES

Used in DL25007-Y Series Housing.
Accepts AWG #28~22 Wire Range.

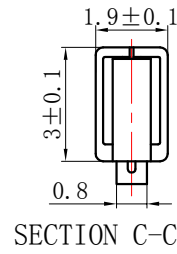
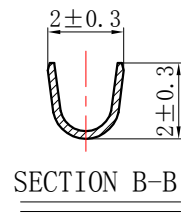
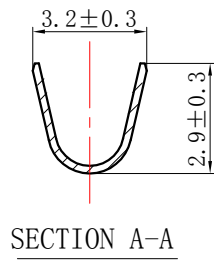
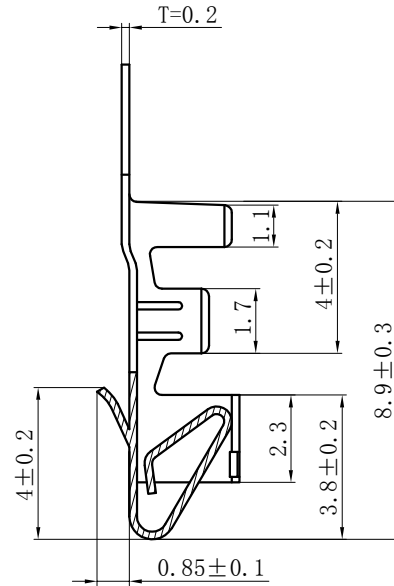
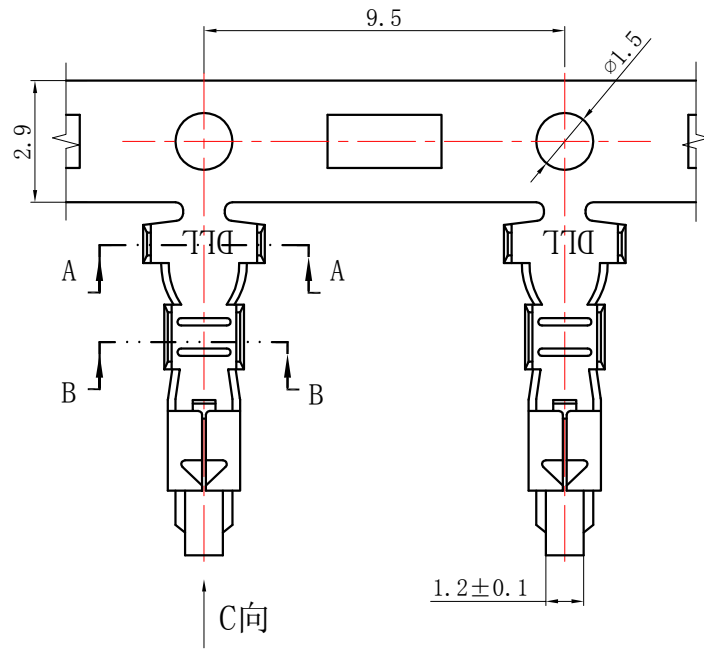
0.06~ 0.33 mm² .

Insulation O. D. =1.2~1.8 mm.

Material : Phosphor Bronze .

Finish: Tin plated.

Thickness: 0.2 mm.



| GENERAL TOLERANCES (UNLESS SPECIFIED) | | ZHE JIANG DELI CONNECTORS CO., LTD | |
|--|---------------|------------------------------------|--|
| .X: ± 0.25 | X° : ± 3.0° | PRODUCT NAME: | TITLE: 2.5 mm pitch Wire To Wire Crimp Terminal |
| .XX: ± 0.15 | .X° : ± 2.0° | DL25007 (SM)-T | PART NO: |
| .XXX: ± 0.01 | .XX° : ± 1.0° | DR:Chen Quan Long | DATE:21/05/02 |
| FINISH: | | CHKD: Wu Hui | DATE:21/05/02 |
| DRAWING NO: | | APPD:Ren An De | DATE:21/05/02 |
| | | SCALE: N/A | PAGE: 1/1 |
| | | UNITS: mm | REV.: B |

| REV. | REVISION DESCRIPTION | DATE | APPD |
|------|----------------------|------|------|
| | | | |



NOTES

Used in DL25007-R Series Housing.
Accepts AWG #28~22 Wire Range.

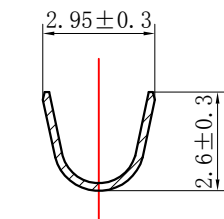
0.06~ 0.33 mm² .

Insulation O. D. =1.2~1.8 mm.

Material : Phosphor Bronze .

Finish: Tin plated.

Thickness: 0.25 mm.



SECTION A-A



SECTION B-B

| GENERAL TOLERANCES (UNLESS SPECIFIED) | | ZHE JIANG DELI CONNECTORS CO., LTD | |
|--|---------------|------------------------------------|---|
| .X: ± 0.25 | X° : ± 3.0° | PRODUCT NAME: | TITLE: |
| .XX: ± 0.15 | .X° : ± 2.0° | DL25007 (SM)-RT | 2.5 mm pitch Wire To Wire Crimp Terminal |
| .XXX: ± 0.01 | .XX° : ± 1.0° | DR:Chen Quan Long | DATE:21/05/02 |
| FINISH: | | CHKD: Wu Hui | DATE:21/05/02 |
| DRAWING NO: | | APPD:Ren An De | DATE:21/05/02 |
| | | SCALE: N/A | PAGE: 1/1 |
| | | UNITS: mm | REV.: B |

X-ON Electronics

Largest Supplier of Electrical and Electronic Components

Click to view similar products for [RF Connector Accessories](#) category:

Click to view products by [DLL](#) manufacturer:

Other Similar products are found below :

[89674-0712](#) [FERRULE-174](#) [R141802000](#) [R141842000](#) [R141862000W](#) [R280907000](#) [AX102907](#) [HP-500](#) [2098-3251-94](#) [KA-81-02](#) [KA-81-05](#) [KN-89-12](#) [89674-0805](#) [FERRULE-223](#) [202102-11](#) [R280468000](#) [R280510000](#) [RFI155-1](#) [RFI25-12-D3](#) [RFI25-4-D2](#) [RFI75-12-D2](#) [RFI97-14](#) [360HS001M2508M6](#) [4-1532137-4](#) [HRM-514S\(40\)](#) [5-21085-0](#) [111062-0490](#) [112122-SOD-LUG](#) [IPP-2014](#) [RFI95-14-D2](#) [1736-1511-075](#) [RFI75-2-D3](#) [RFI25-3-D3](#) [R280469010](#) [RFI85-4](#) [896110450](#) [660-024M09S5-01](#) [1403137-1](#) [360HB001M2512H](#) [360HS001M1716M3](#) [380HS115M2508H3](#) [380HS001M1716M4](#) [FERRULE-316DB](#) [105274-2000](#) [73415-1970](#) [R280755050W](#) [52014041A](#) [R447120000](#) [BNC-JCAP\(01\)](#) [415CPB-239-50F](#)