

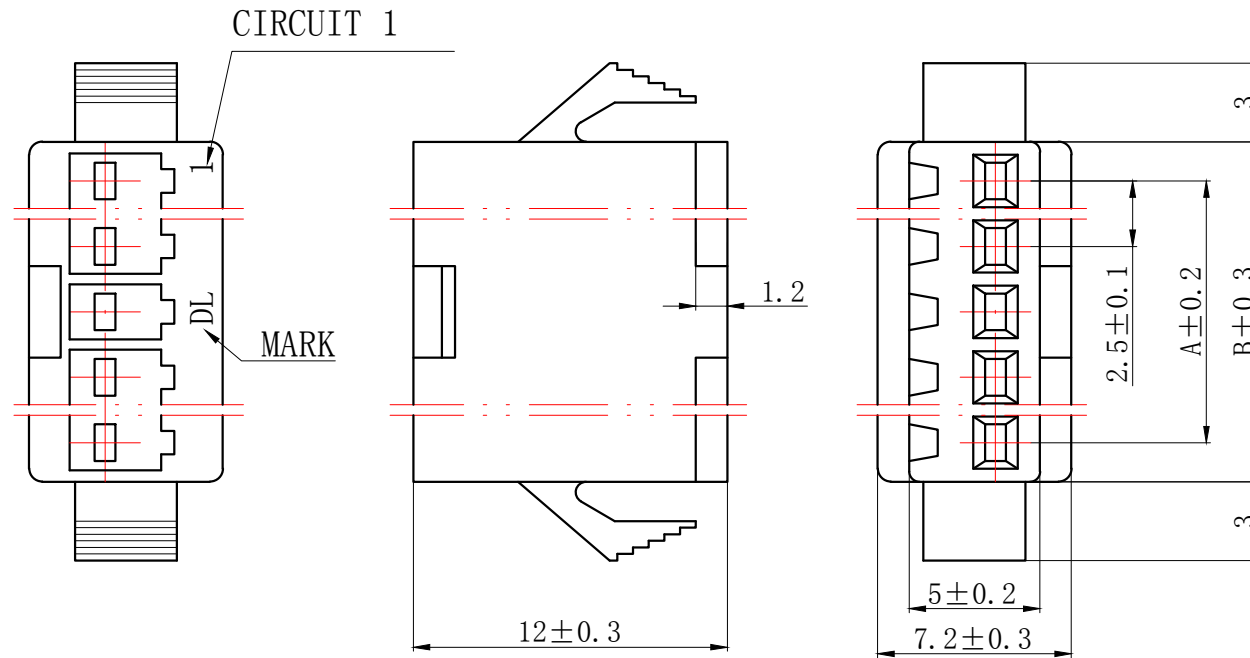
### 技术特性/Specifications:

额定电压 Rated voltage: 250V AC, DC  
额定电流 Rated current: 3A AC, DC  
接触电阻 Contact resistance: 20m $\Omega$  max  
绝缘电阻 Insulation resistance: 1000M $\Omega$  min  
耐压 Withstand voltage: 1000V AC/minute  
环境温度 Ambient temperature: -40 $^{\circ}$ C~+105 $^{\circ}$ C  
适用线规 Wire range: AWG#28~#22

| REV. | REVISION DESCRIPTION | DATE | APPD |
|------|----------------------|------|------|
|      |                      |      |      |

## NOTES

Available in 02 through 12 Circuits.  
 Mates with DL25007-R Series Housing.  
 Material : Nylon UL94V-0(2).  
 Accepts DL25007-T Crimp Terminal.



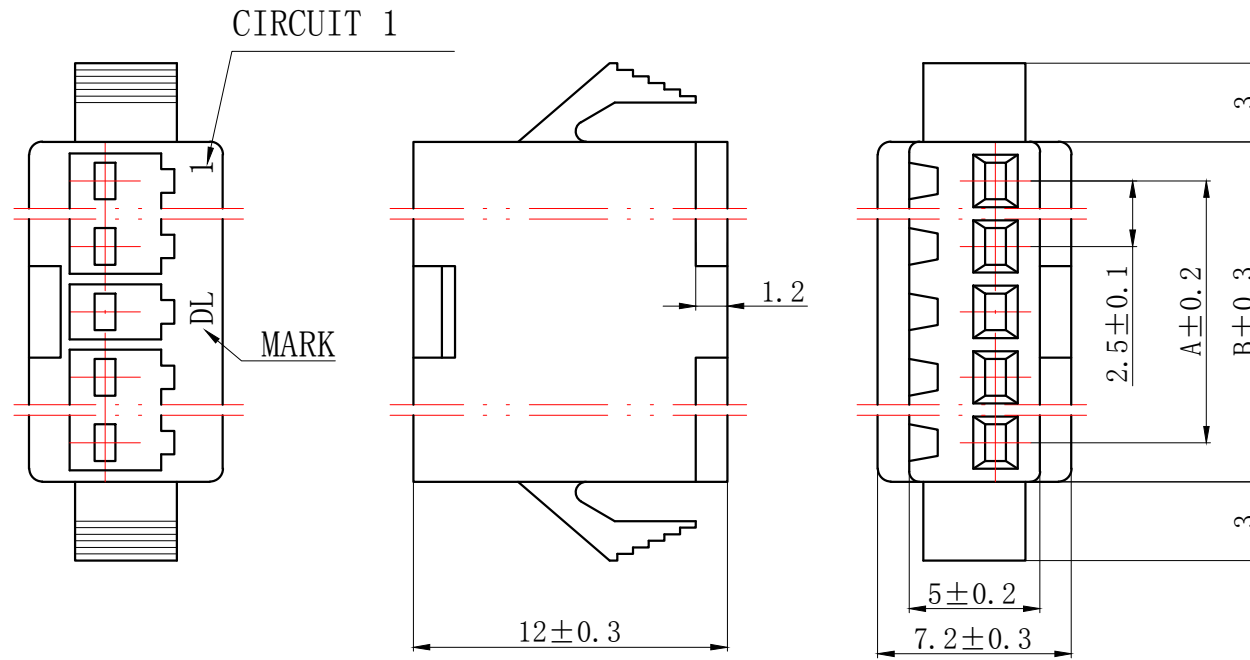
| Circuits | Product name | Dimension mm |       |
|----------|--------------|--------------|-------|
|          |              | A            | B     |
| 2        | SM-2Y        | 2.50         | 5.50  |
| 3        | SM-3Y        | 5.00         | 8.00  |
| 4        | SM-4Y        | 7.50         | 10.50 |
| 5        | SM-5Y        | 10.00        | 13.00 |
| 6        | SM-6Y        | 12.50        | 15.50 |
| 7        | SM-7Y        | 15.00        | 18.00 |
| 8        | SM-8Y        | 17.50        | 20.50 |
| 9        | SM-9Y        | 20.00        | 23.00 |
| 10       | SM-10Y       | 22.50        | 25.50 |
| 11       | SM-11Y       | 25.00        | 28.00 |
| 12       | SM-12Y       | 27.50        | 30.50 |

| GENERAL TOLERANCES<br>(UNLESS SPECIFIED) |                       | ZHE JIANG DELI CONNECTORS CO., LTD        |                |
|--|-----------------------|---|----------------|
| .X: $\pm 0.25$                           | X°: $\pm 3.0^\circ$   | PRODUCT NAME: <b>DL25007(SM)-Y</b>        |                |
| .XX: $\pm 0.15$                          | .X°: $\pm 2.0^\circ$  | TITLE: 2.50 mm Pitch Wire To Wire Housing |                |
| .XXX: $\pm 0.01$                         | .XX°: $\pm 1.0^\circ$ | DR: Chen Quan Long                        | DATE: 21/12/30 |
| FINISH: _____                            |                       | CHKD: Wu Hui                              | DATE: 21/12/30 |
| DRAWING NO: _____                        |                       | APPD: Ren An De                           | DATE: 21/12/30 |
|  |                       | SCALE: N/A                                | PAGE: 1/1      |
|  |                       | UNITS: mm                                 | REV.: A        |

| REV. | REVISION DESCRIPTION | DATE | APPD |
|------|----------------------|------|------|
|      |                      |      |      |

## NOTES

Available in 02 through 12 Circuits.  
Mates with DL25007-R Series Housing.  
Material : Nylon UL94V-0(2).  
Accepts DL25007-T Crimp Terminal.



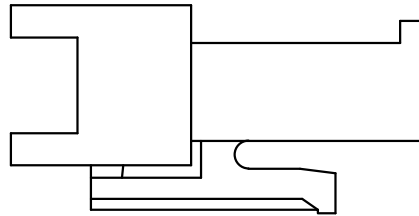
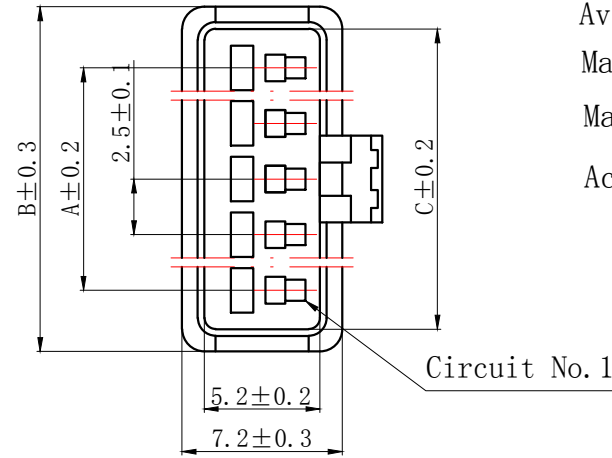
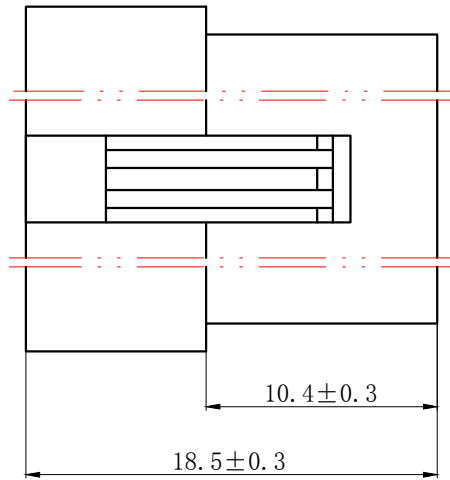
| Circuits | Product name | Dimension mm |       |
|----------|--------------|--------------|-------|
|          |              | A            | B     |
| 2        | SM-2Y-02     | 2.50         | 5.50  |
| 3        | SM-3Y-02     | 5.00         | 8.00  |
| 4        | SM-4Y-02     | 7.50         | 10.50 |
| 5        | SM-5Y-02     | 10.00        | 13.00 |
| 6        | SM-6Y-02     | 12.50        | 15.50 |
| 7        | SM-7Y-02     | 15.00        | 18.00 |
| 8        | SM-8Y-02     | 17.50        | 20.50 |
| 9        | SM-9Y-02     | 20.00        | 23.00 |
| 10       | SM-10Y-02    | 22.50        | 25.50 |
| 11       | SM-11Y-02    | 25.00        | 28.00 |
| 12       | SM-12Y-02    | 27.50        | 30.50 |

| GENERAL TOLERANCES<br>(UNLESS SPECIFIED) |               | ZHE JIANG DELI CONNECTORS CO., LTD        |               |
|--|---------------|---|---------------|
| .X: ± 0.25                               | X° : ± 3.0°   | PRODUCT NAME:                             |               |
| .XX: ± 0.15                              | .X° : ± 2.0°  | DL25007(SM)-Y-02                          |               |
| .XXX: ± 0.01                             | .XX° : ± 1.0° | DR:Chen Quan Long                         | DATE:21/12/30 |
| FINISH:                                  |               | CHKD: Wu Hui                              | DATE:21/12/30 |
| DRAWING NO:                              |               | APPD:Ren An De                            | DATE:21/12/30 |
|  |               | TITLE: 2.50 mm Pitch Wire To Wire Housing |               |
|  |               | PART NO:                                  |               |
|  |               | SCALE: N/A                                | PAGE: 1/1     |
|  |               | UNITS: mm                                 | REV.: A       |

| REV. | REVISION DESCRIPTION | DATE | APPD |
|------|----------------------|------|------|
|      |                      |      |      |

### NOTES

Available in 02 through 12 Circuits.  
Mates with DL25007-Y Series Housing.  
Material : Nylon UL94V-0(2).  
Accepts DL25007-RT Crimp Terminal.



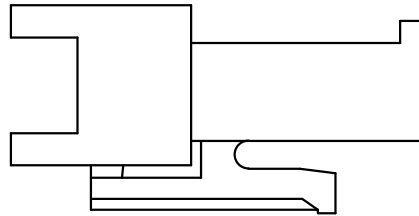
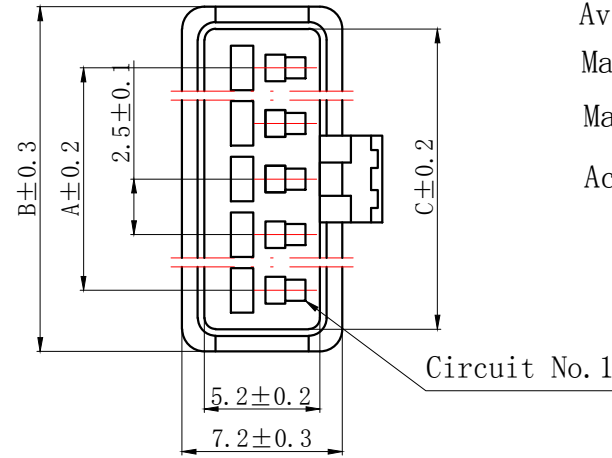
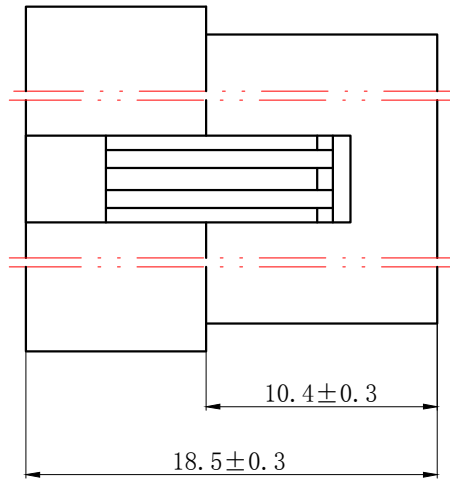
| Circuits | Product name | Dimensino(mm) |      |      |
|----------|--------------|---------------|------|------|
|          |              | A             | B    | C    |
| 2        | SM-2R        | 2.5           | 8.0  | 5.8  |
| 3        | SM-3R        | 5.0           | 10.5 | 8.3  |
| 4        | SM-4R        | 7.5           | 13.0 | 10.8 |
| 5        | SM-5R        | 10.0          | 15.5 | 13.3 |
| 6        | SM-6R        | 12.5          | 18.0 | 15.8 |
| 7        | SM-7R        | 15.0          | 20.5 | 18.3 |
| 8        | SM-8R        | 17.5          | 23.0 | 20.8 |
| 9        | SM-9R        | 20.0          | 25.5 | 23.3 |
| 10       | SM-10R       | 22.5          | 28.0 | 25.8 |
| 11       | SM-11R       | 25.0          | 30.5 | 28.3 |
| 12       | SM-12R       | 27.5          | 33.0 | 30.8 |

| GENERAL TOLERANCES (UNLESS SPECIFIED) |                       | ZHE JIANG DELI CONNECTORS CO., LTD    |                |  |           |
|---------------------------------------|-----------------------|---------------------------------------|----------------|--|-----------|
| .X: $\pm 0.25$                        | X°: $\pm 3.0^\circ$   | PRODUCT NAME:<br><b>DL25007(SM)-R</b> |                | TITLE: 2.50 mm Pitch<br>Wire To Wire Housing |           |
| .XX: $\pm 0.15$                       | .X°: $\pm 2.0^\circ$  | DR: Chen Quan Long                    | DATE: 21/12/30 | PART NO:                                     |           |
| .XXX: $\pm 0.01$                      | .XX°: $\pm 1.0^\circ$ | CHKD: Wu Hui                          | DATE: 21/12/30 | SCALE: N/A                                   | PAGE: 1/1 |
| DRAWING NO:                           |                       | APPD: Ren An De                       | DATE: 21/12/30 | UNITS: mm                                    | REV.: A   |

| REV. | REVISION DESCRIPTION | DATE | APPD |
|------|----------------------|------|------|
|      |                      |      |      |

## NOTES

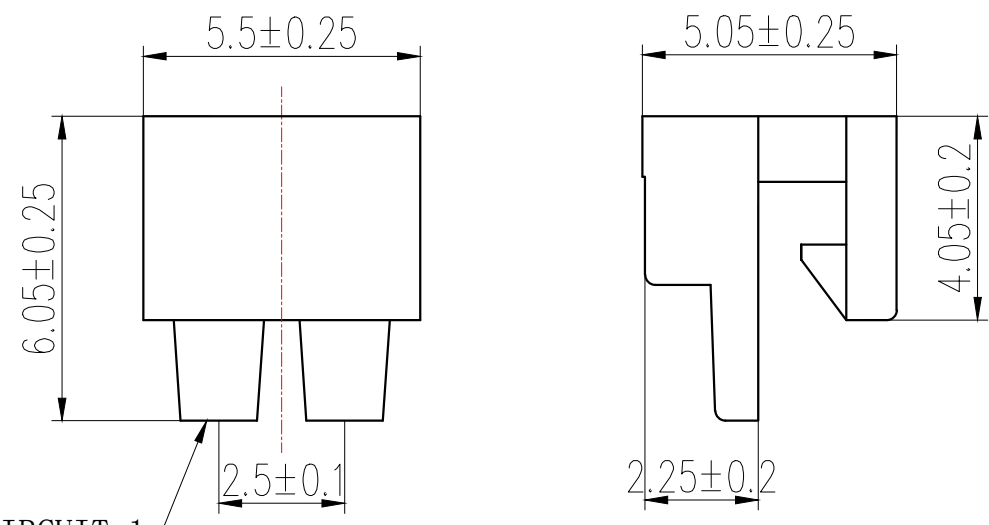
Available in 02 through 12 Circuits.  
Mates with DL25007-Y Series Housing.  
Material : Nylon UL94V-0(2).  
Accepts DL25007-RT Crimp Terminal.



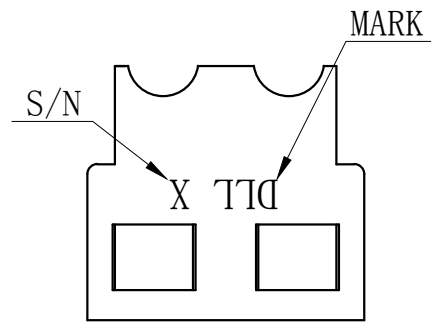
| Circuits | Product name | Dimensino (mm) |      |      |
|----------|--------------|----------------|------|------|
|          |              | A              | B    | C    |
| 2        | SM-2R-02     | 2.5            | 8.0  | 5.8  |
| 3        | SM-3R-02     | 5.0            | 10.5 | 8.3  |
| 4        | SM-4R-02     | 7.5            | 13.0 | 10.8 |
| 5        | SM-5R-02     | 10.0           | 15.5 | 13.3 |
| 6        | SM-6R-02     | 12.5           | 18.0 | 15.8 |
| 7        | SM-7R-02     | 15.0           | 20.5 | 18.3 |
| 8        | SM-8R-02     | 17.5           | 23.0 | 20.8 |
| 9        | SM-9R-02     | 20.0           | 25.5 | 23.3 |
| 10       | SM-10R-02    | 22.5           | 28.0 | 25.8 |
| 11       | SM-11R-02    | 25.0           | 30.5 | 28.3 |
| 12       | SM-12R-02    | 27.5           | 33.0 | 30.8 |

| GENERAL TOLERANCES (UNLESS SPECIFIED) |               | ZHE JIANG DELI CONNECTORS CO., LTD |   |
|---------------------------------------|---------------|------------------------------------|---|
| .X: ± 0.25                            | X° : ± 3.0°   | PRODUCT NAME:                      | TITLE: 2.50 mm Pitch Wire To Wire Housing |
| .XX: ± 0.15                           | .X° : ± 2.0°  | DL25007 (SM)-R-02                  |   |
| .XXX: ± 0.01                          | .XX° : ± 1.0° | DR: Chen Quan Long                 | DATE: 21/12/30                            |
| FINISH:                               |               | CHKD: Wu Hui                       | DATE: 21/12/30                            |
| DRAWING NO:                           |               | APPD: Ren An De                    | DATE: 21/12/30                            |
|                                       |               | SCALE: N/A                         | PAGE: 1/1                                 |
|                                       |               | UNITS: mm                          | REV.: A                                   |

| REV. | REVISION DESCRIPTION | DATE | APPD |
|------|----------------------|------|------|
|      |                      |      |      |



CIRCUIT 1



## NOTES

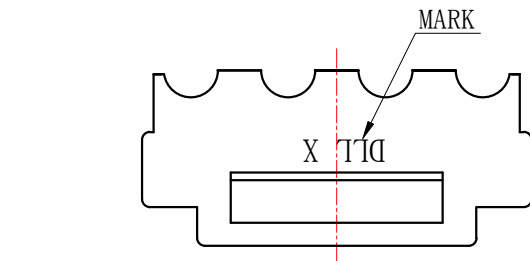
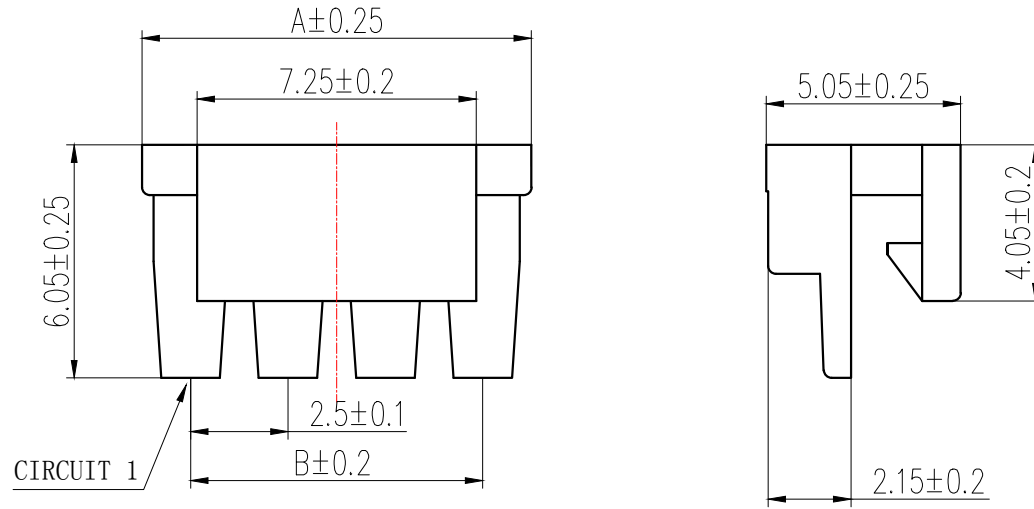
Available in 02 Circuits.  
 Mates with Y25007XXXX Series Housing.  
 Material : Nylon UL94V-0(2).  
 Green Material RoHS Compliant.

|  |            |  |   |
|--|------------|--|---|
| GENERAL TOLERANCES<br>(UNLESS SPECIFIED) |            | ZHE JIANG DELI CONNECTORS CO., LTD       |   |
| .X: ±0.25                                | X°: ±3.0°  | PRODUCT NAME:<br><b>DL25007 (SM)-2PS</b> | TITLE:<br>2.50 mm Pitch<br>Wire To Wire Housing |
| .XX: ±0.15                               | .X°: ±2.0° | APPD.:Yuan Jun Rong                      | DATE:21/12/01                                   |
| .XXX:±0.01                               | .XX°:±1.0° | CHKD.:Wu Hui                             | DATE:21/12/01                                   |
| FINISH:<br>_____                         |            | APPD.:Ren An De                          | DATE:21/12/01                                   |
| DRAWING NO:                              |            | SCALE: N/A                               | PAGE: 1/1                                       |
|  |            | UNITS: mm                                | REV.: A   |

| REV. | REVISION DESCRIPTION | DATE | APPD |
|------|----------------------|------|------|
|      |                      |      |      |

## NOTES

Available in 03 through 12 Circuits.  
 Mates with Y25007XXXX Series Housing.  
 Material : Nylon UL94V-0(2).  
 Green Material RoHS Compliant.



| Circuits | Product name | Dimension mm |      |
|----------|--------------|--------------|------|
|          |              | A            | B    |
| 3        | SM-3PS       | 7.5          | 5.0  |
| 4        | SM-4PS       | 10.0         | 7.5  |
| 5        | SM-5PS       | 12.5         | 10.0 |
| 6        | SM-6PS       | 15.0         | 12.5 |
| 7        | SM-7PS       | 17.5         | 15.0 |
| 8        | SM-8PS       | 20.0         | 17.5 |
| 9        | SM-9PS       | 22.5         | 20.0 |
| 10       | SM-10PS      | 25.0         | 22.5 |
| 11       | SM-11PS      | 27.5         | 25.0 |
| 12       | SM-12PS      | 30.0         | 27.5 |

| GENERAL TOLERANCES (UNLESS SPECIFIED) |             | ZHE JIANG DELI CONNECTORS CO., LTD |                      |
|---------------------------------------|-------------|------------------------------------|----------------------|
| .X: ±0.25                             | X°: ±3.0°   | PRODUCT NAME:                      | TITLE: 2.50 mm Pitch |
| .XX: ±0.15                            | .X°: ±2.0°  | DL25007(SM)-PS                     | Wire To Wire Housing |
| .XXX: ±0.01                           | .XX°: ±1.0° | APPD.:Yuan Jun Rong DATE:21/12/01  | PART NO:             |
| FINISH:                               |             | CHKD.:Wu Hui DATE:21/12/01         | SCALE: N/A PAGE: 1/1 |
| DRAWING NO:                           |             | APPD:Ren An De DATE:21/12/01       | UNITS: mm REV.: A    |

| REV. | REVISION DESCRIPTION | DATE | APPD |
|------|----------------------|------|------|
|      |                      |      |      |

### NOTES

Available in 02 through 12 Circuits.  
 Mates with R25007XXXX Series Housing.  
 Material : Nylon UL94V-0(2).  
 Green Material RoHS Compliant.

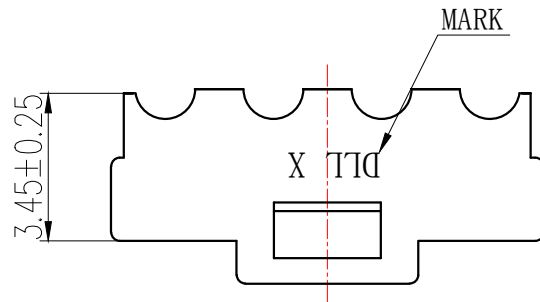
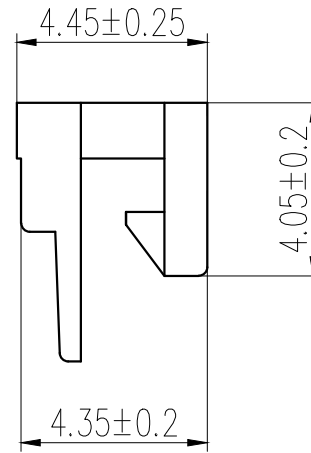
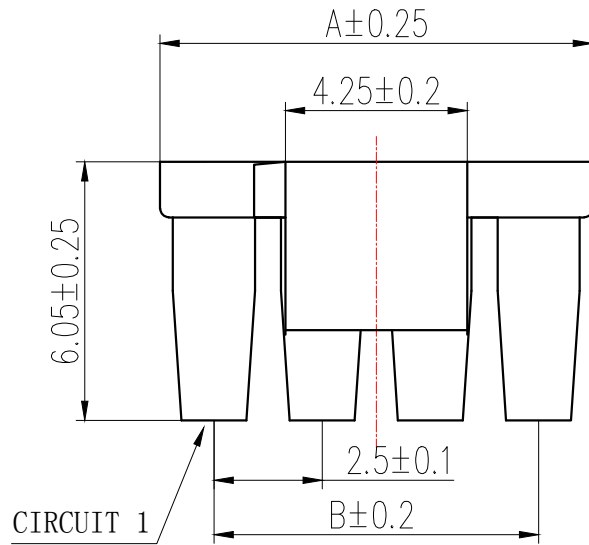
| Circuits | Product name | Dimension mm |      |
|----------|--------------|--------------|------|
|          |              | A            | B    |
| 2        | SM-2RS       | 5.0          | 2.5  |
| 3        | SM-3RS       | 7.5          | 5.0  |
| 4        | SM-4RS       | 10.0         | 7.5  |
| 5        | SM-5RS       | 12.5         | 10.0 |
| 6        | SM-6RS       | 15.0         | 12.5 |
| 7        | SM-7RS       | 17.5         | 15.0 |
| 8        | SM-8RS       | 20.0         | 17.5 |
| 9        | SM-9RS       | 22.5         | 20.0 |
| 10       | SM-10RS      | 25.0         | 22.5 |
| 11       | SM-11RS      | 27.5         | 25.0 |
| 12       | SM-12RS      | 30.0         | 27.5 |

GENERAL TOLERANCES  
(UNLESS SPECIFIED)

|             |              |
|-------------|--------------|
| .X: ±0.25   | X° : ±3.0°   |
| .XX: ±0.15  | .X° : ±2.0°  |
| .XXX: ±0.01 | .XX° : ±1.0° |
| FINISH:     |              |
| DRAWING NO: |              |

ZHE JIANG DELI CONNECTORS CO., LTD

|                                   |   |
|-----------------------------------|---|
| PRODUCT NAME:<br>DL25007(SM)-RS   | TITLE:<br>2.50 mm Pitch<br>Wire To Wire Housing |
| APPD.:Yuan Jun Rong DATE:21/12/01 | PART NO:  |
| CHKD.:Wu Hui DATE:21/12/01        | SCALE: N/A PAGE: 1/1                            |
| APPD:Ren An De DATE:21/12/01      | UNITS: mm REV.: A                               |

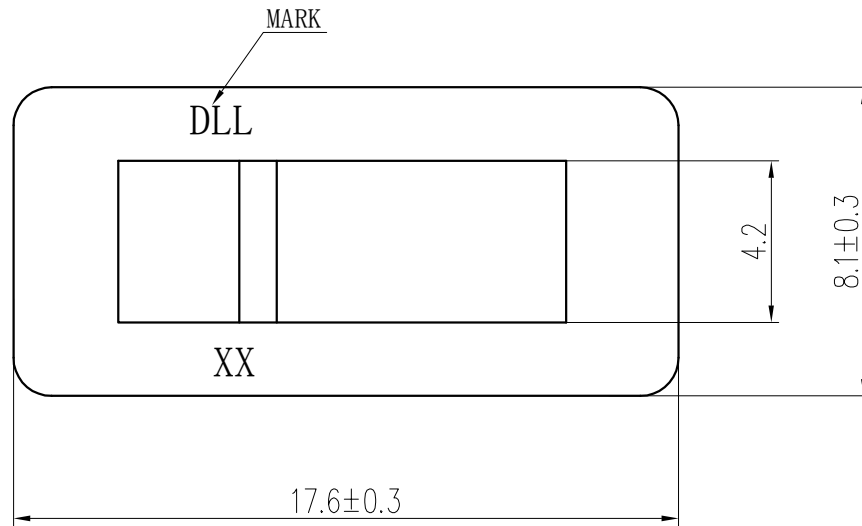
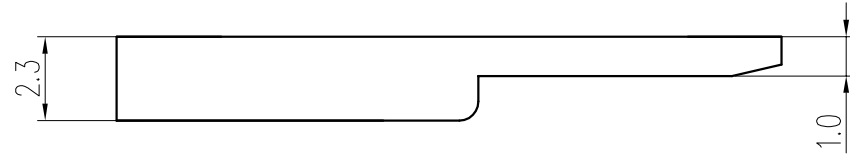




| REV. | REVISION DESCRIPTION | DATE | APPD |
|------|----------------------|------|------|
|      |                      |      |      |

### NOTES

Available in 02 through 12 Circuits.  
Mates with R25007XXXX Series Housing.  
Material : Nylon UL94V-0(2).  
Green Material RoHS Compliant.



| GENERAL TOLERANCES<br>(UNLESS SPECIFIED) |                        | ZHE JIANG DELI CONNECTORS CO., LTD |                      |
|--|------------------------|------------------------------------|----------------------|
| .X: $\pm 0.25$                           | X° : $\pm 3.0^\circ$   | PRODUCT NAME:                      | TITLE: 2.50 mm Pitch |
| .XX: $\pm 0.15$                          | .X° : $\pm 2.0^\circ$  | DL25007(SM)-1GRS                   | Wire To Wire Housing |
| .XXX: $\pm 0.01$                         | .XX° : $\pm 1.0^\circ$ | APPD.: Yuan Jun Rong               | DATE: 21/08/01       |
| FINISH:                                  |                        | CHKD.: Wu Hui                      | DATE: 21/08/01       |
| DRAWING NO:                              |                        | APPD.: Ren An De                   | DATE: 21/08/01       |
|  |                        |                                    | PART NO:             |
|  |                        |                                    | SCALE: N/A           |
|  |                        |                                    | PAGE: 1/1            |
|  |                        |                                    | UNITS: mm            |
|  |                        |                                    | REV.: A              |

| REV. | REVISION DESCRIPTION | DATE | APPD |
|------|----------------------|------|------|
|      |                      |      |      |

## NOTES

Used in DL25007-Y Series Housing.  
Accepts AWG #28~22 Wire Range.

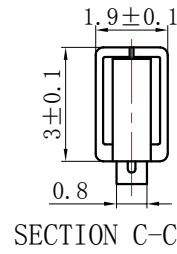
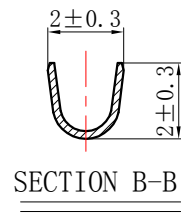
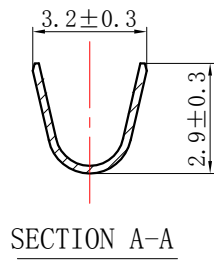
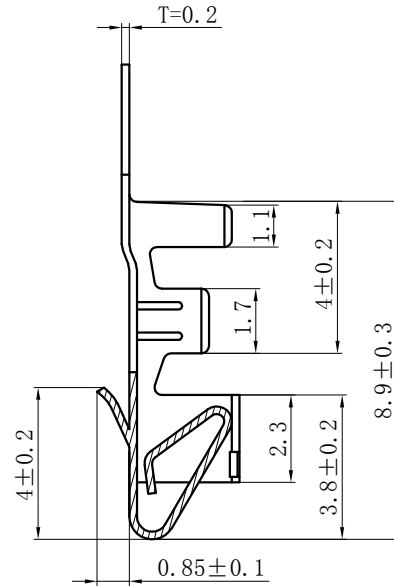
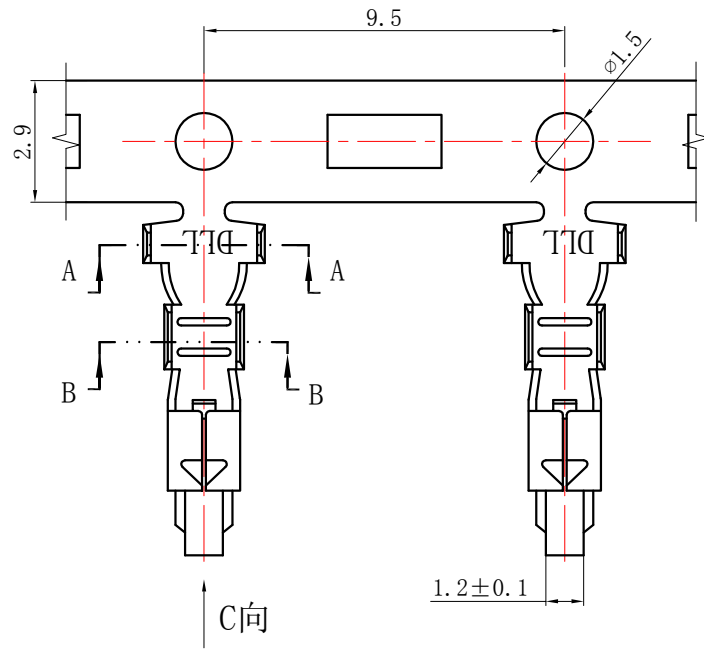
0.06~ 0.33 mm<sup>2</sup> .

Insulation O. D. =1.2~1.8 mm.

Material : Phosphor Bronze .

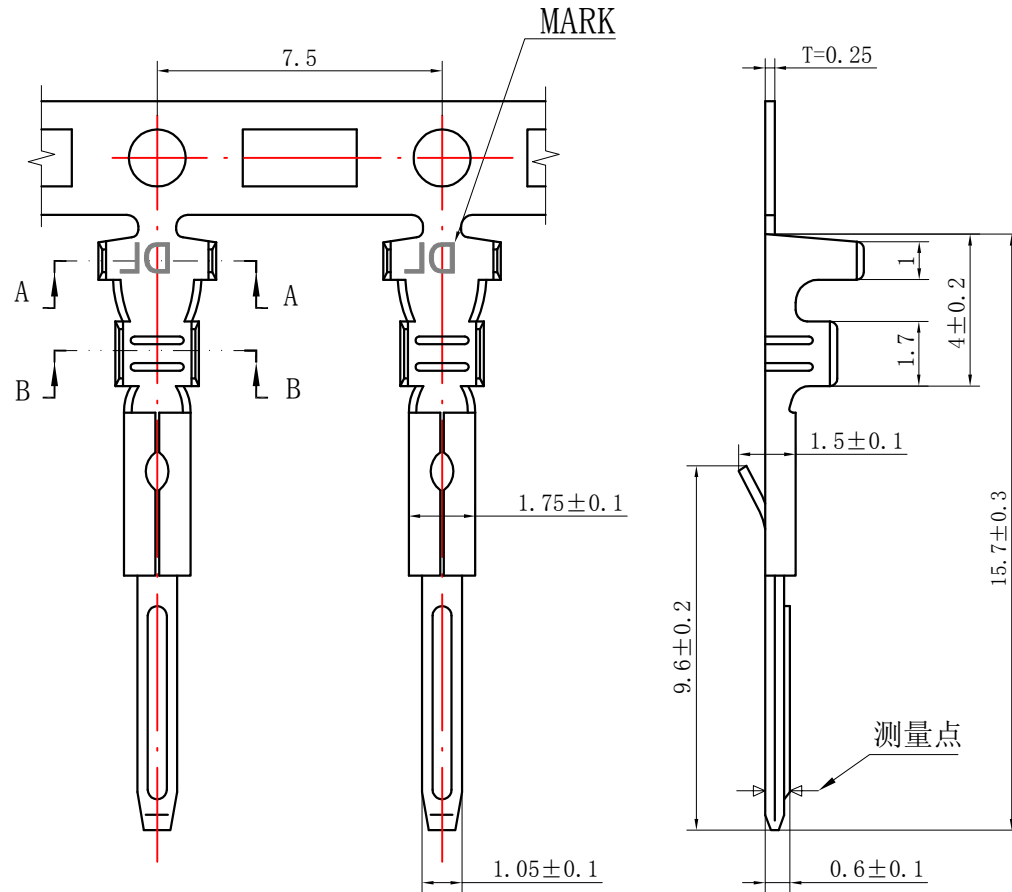
Finish: Tin plated.

Thickness: 0.2 mm.



| GENERAL TOLERANCES<br>(UNLESS SPECIFIED) |               | ZHE JIANG DELI CONNECTORS CO., LTD |  |
|--|---------------|------------------------------------|--|
| .X: ± 0.25                               | X° : ± 3.0°   | PRODUCT NAME:                      | TITLE: 2.5 mm pitch<br>Wire To Wire Crimp Terminal |
| .XX: ± 0.15                              | .X° : ± 2.0°  | <b>DL25007 (SM)-T</b>              | PART NO:   |
| .XXX: ± 0.01                             | .XX° : ± 1.0° | DR:Chen Quan Long                  | DATE:21/05/02                                      |
| FINISH:                                  |               | CHKD: Wu Hui                       | DATE:21/05/02                                      |
| DRAWING NO:                              |               | APPD:Ren An De                     | DATE:21/05/02                                      |
|  |               | SCALE: N/A                         | PAGE: 1/1  |
|  |               | UNITS: mm                          | REV.: B  |

| REV. | REVISION DESCRIPTION | DATE | APPD |
|------|----------------------|------|------|
|      |                      |      |      |



## NOTES

Used in DL25007-R Series Housing.  
Accepts AWG #28~22 Wire Range.

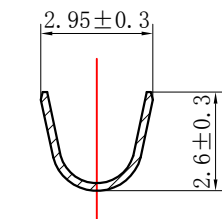
0.06~ 0.33 mm<sup>2</sup> .

Insulation O. D. =1.2~1.8 mm.

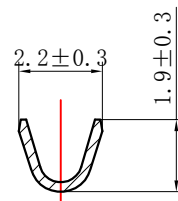
Material : Phosphor Bronze .

Finish: Tin plated.

Thickness: 0.25 mm.



SECTION A-A



SECTION B-B

| GENERAL TOLERANCES<br>(UNLESS SPECIFIED) |               | ZHE JIANG DELI CONNECTORS CO., LTD |  |
|--|---------------|------------------------------------|--|
| .X: ± 0.25                               | X° : ± 3.0°   | PRODUCT NAME:                      | TITLE: 2.5 mm pitch<br>Wire To Wire Crimp Terminal |
| .XX: ± 0.15                              | .X° : ± 2.0°  | DL25007 (SM)-RT                    | PART NO:   |
| .XXX: ± 0.01                             | .XX° : ± 1.0° | DR:Chen Quan Long                  | DATE:21/05/02                                      |
| FINISH:                                  |               | CHKD: Wu Hui                       | DATE:21/05/02                                      |
| DRAWING NO:                              |               | APPD:Ren An De                     | DATE:21/05/02                                      |
|  |               | SCALE: N/A                         | PAGE: 1/1  |
|  |               | UNITS: mm                          | REV.: B  |

## X-ON Electronics

Largest Supplier of Electrical and Electronic Components

*Click to view similar products for [Headers & Wire Housings](#) category:*

*Click to view products by [DLL](#) manufacturer:*

Other Similar products are found below :

[0015917161](#) [0022155065](#) [57102-F02-18ULF](#) [58102-G61-06LF](#) [582553-1](#) [01.001.5753.1](#) [0050291907](#) [02.125.8002.8](#) [609-3404](#) [61062-3](#)  
[CSU011177004](#) [622-0430](#) [622-3653LF](#) [63453-116](#) [636-1030](#) [636-1427](#) [636-3427](#) [636-4007](#) [641938-9](#) [65495-038](#) [65692-001LF](#) [65781-018](#)  
[65781-047](#) [65817-010LF](#) [65817-015LF](#) [67095-007LF](#) [67601157](#) [68631-112](#) [68645-018](#) [699319-000](#) [70.362.1628.0](#) [70-4210](#) [70-4226B](#) [70-](#)  
[4853B](#) [71.350.2428.0](#) [733-134](#) [733-162](#) [MHR-64-VUAL](#) [80.063.4001.1](#) [800-90-001-10-001000](#) [801-43-002-10-013000](#) [801-43-006-10-](#)  
[002000](#) [803-43-024-10-001000](#) [803-93-012-10-001000](#) [8-1437020-4](#) [819-22-004-30-001101](#) [820-22-006-30-001101](#) [820-22-008-30-001101](#)  
[821-22-002-10-001101](#) [821-22-003-10-002101](#)