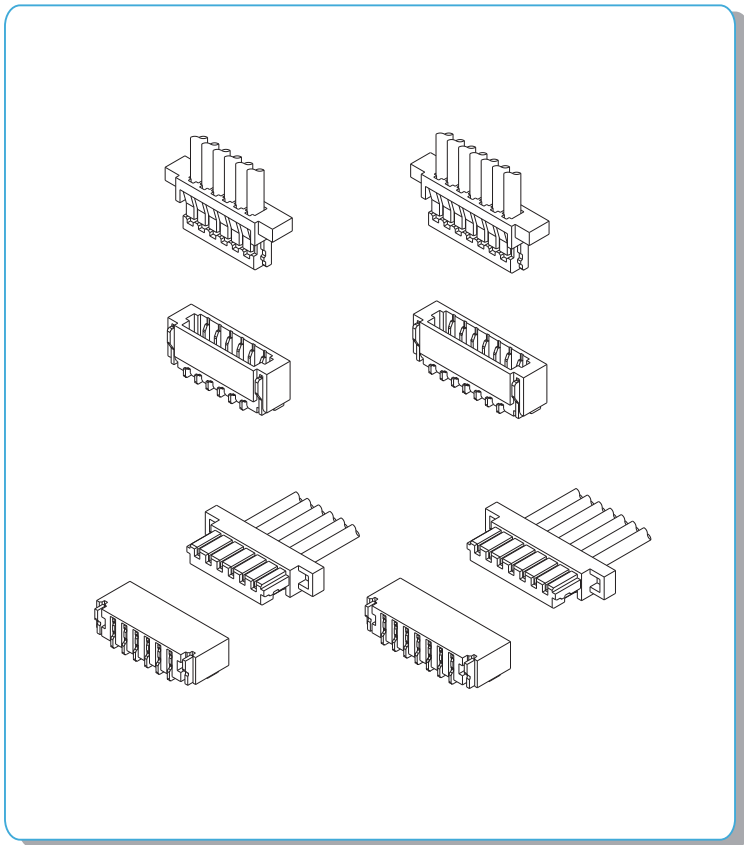


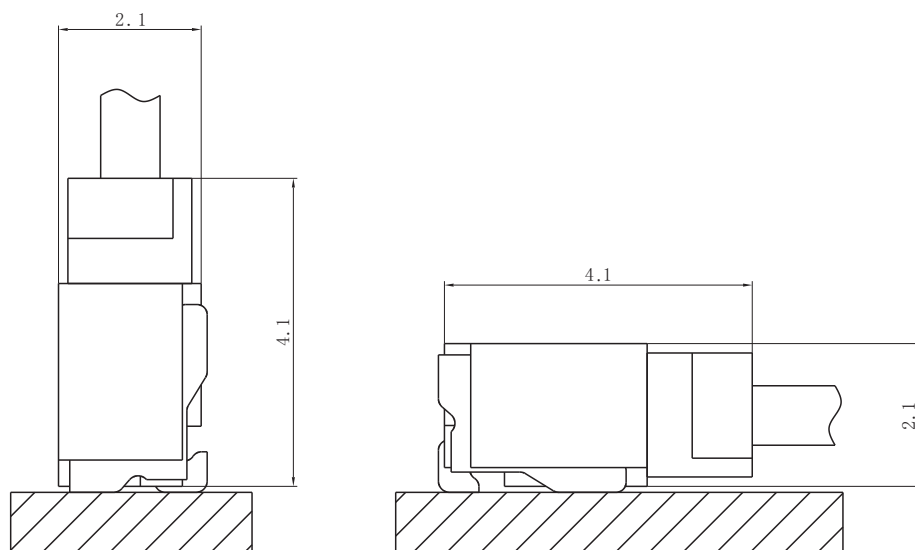
技术特性/Specifications:

额定电压 Rated voltage: 30V AC, DC  
 额定电流 Rated current: 1A AC, DC  
 接触电阻 Contact resistance: 20mΩ max  
 绝缘电阻 Insulation resistance: 100MΩ min  
 耐压 Withstand voltage: 200V AC/minute  
 环境温度 Ambient temperature: -25°C~+85°C  
 适用线规 Wire range: AWG#32~#28



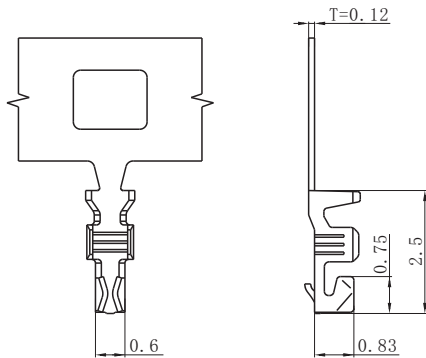
PC电路板布局和组件布局 PC board layout and Assembly layout

Assembly layout (装配布局)



上图为连接器安装侧观察图  
 Notes: The above figure is the figure viewed from the connector mounting side.

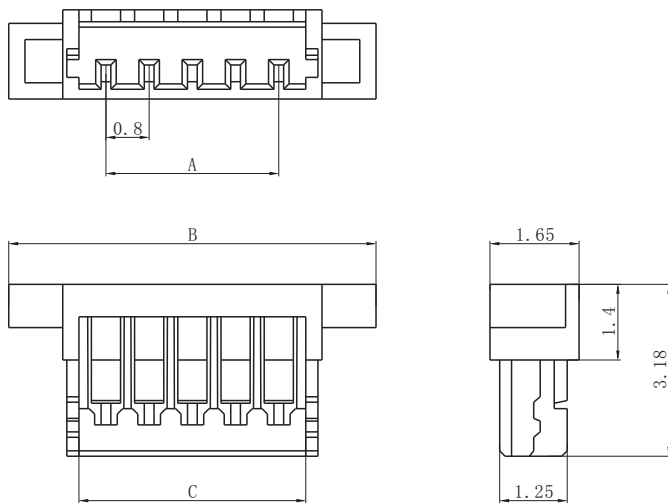
□ DL08001-T (SU-T)



Model No. (型号)	Applicable wire (适用线规)			Material (材料)	Plating (电镀)	Qty/reel (数量/盘)
	mm <sup>2</sup>	AWG#	Insulation O.D. (绝缘外径mm)			
DL08001-T (SU-T)	0.032~0.08	32~28	φ 0.5~0.6	Phosphor bronze (磷青铜)	Tin Plated (镀锡)	20000

符合RoHS标准  
RoHS compliance

□ DL08001-Y (SU-Y)



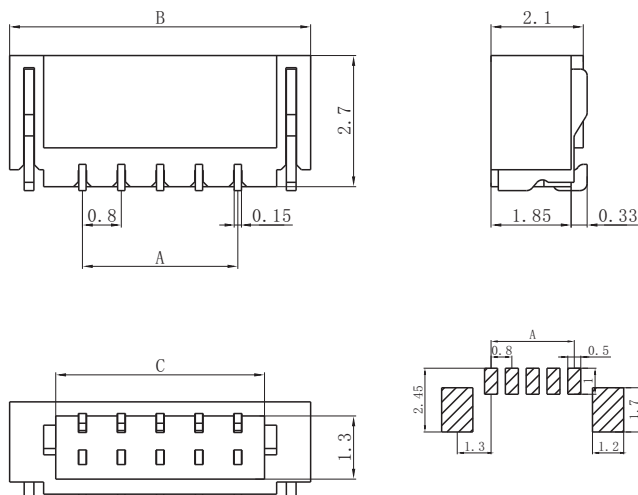
Circuits (电路)	Product name (产品名称)	Dimensions (尺寸mm)		
		A	B	C
2	SU-2Y	0.80	4.40	1.80
3	SU-3Y	1.60	5.20	2.60
4	SU-4Y	2.40	6.00	3.40
5	SU-5Y	3.20	6.80	4.20
6	SU-6Y	4.00	7.60	5.00
7	SU-7Y	4.80	8.40	5.80
8	SU-8Y	5.60	9.20	6.60
9	SU-9Y	6.40	10.00	7.40
10	SU-10Y	7.20	10.80	8.20
11	SU-11Y	8.00	11.60	9.00
12	SU-12Y	8.80	12.40	9.80

Material (材料)

Housing (胶壳): LCP UL94V-0

符合RoHS标准  
RoHS compliance

□ DL08001-AB (SU-AB)



Circuits (电路)	Product name (产品名称)	Dimensions (尺寸mm)		
		A	B	C
2	SU-2AB	0.80	3.80	1.90
3	SU-3AB	1.60	4.60	2.70
4	SU-4AB	2.40	5.40	3.50
5	SU-5AB	3.20	6.20	4.30
6	SU-6AB	4.00	7.00	5.10
7	SU-7AB	4.80	7.80	5.90
8	SU-8AB	5.60	8.60	6.70
9	SU-9AB	6.40	9.40	7.50
10	SU-10AB	7.20	10.20	8.30
11	SU-11AB	8.00	11.00	9.10
12	SU-12AB	8.80	11.80	9.90

Material (材料)

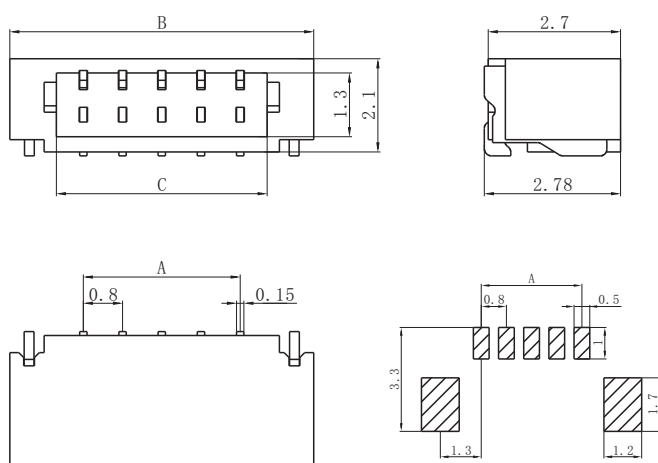
Housing (胶壳): LCP UL94V-0

Wafer (接触件): Phosphor bronze (磷青铜)/Tin plated (镀锡)

Solder tabs (焊片): Brass (黄铜)/Tin plated (镀锡)

符合RoHS标准  
RoHS compliance

□ DL08001-AWB (SU-AWB)



Circuits (电路)	Product name (产品名称)	Dimensions (尺寸mm)		
		A	B	C
2	SU-2AWB	0.80	3.80	1.90
3	SU-3AWB	1.60	4.60	2.70
4	SU-4AWB	2.40	5.40	3.50
5	SU-5AWB	3.20	6.20	4.30
6	SU-6AWB	4.00	7.00	5.10
7	SU-7AWB	4.80	7.80	5.90
8	SU-8AWB	5.60	8.60	6.70
9	SU-9AWB	6.40	9.40	7.50
10	SU-10AWB	7.20	10.20	8.30
11	SU-11AWB	8.00	11.00	9.10
12	SU-12AWB	8.80	11.80	9.90

Material (材料)

Housing (胶壳): LCP UL94V-0

Wafer (接触件): Phosphor bronze (磷青铜)/Tin plated (镀锡)

Solder tabs (焊片): Brass (黄铜)/Tin plated (镀锡)

符合RoHS标准  
RoHS compliance

## X-ON Electronics

Largest Supplier of Electrical and Electronic Components

*Click to view similar products for [Headers & Wire Housings](#) category:*

*Click to view products by [DLL](#) manufacturer:*

Other Similar products are found below :

[0015917161](#) [0022155065](#) [57102-F02-18ULF](#) [58102-G61-06LF](#) [582553-1](#) [01.001.5753.1](#) [0050291907](#) [02.125.8002.8](#) [609-3404](#) [61062-3](#)  
[CSU011177004](#) [622-0430](#) [622-3653LF](#) [63453-116](#) [636-1030](#) [636-1427](#) [636-3427](#) [636-4007](#) [641938-9](#) [65495-038](#) [65692-001LF](#) [65781-018](#)  
[65781-047](#) [65817-010LF](#) [65817-015LF](#) [67095-007LF](#) [67601157](#) [68631-112](#) [68645-018](#) [699319-000](#) [70.362.1628.0](#) [70-4210](#) [70-4226B](#) [70-](#)  
[4853B](#) [71.350.2428.0](#) [733-134](#) [733-162](#) [760-3052](#) [MHR-64-VUAL](#) [80.063.4001.1](#) [800-90-001-10-001000](#) [801-43-002-10-013000](#)  
[801-43-006-10-002000](#) [803-43-024-10-001000](#) [803-93-012-10-001000](#) [8-1437020-4](#) [819-22-004-30-001101](#) [820-22-006-30-001101](#)  
[820-22-008-30-001101](#) [821-22-002-10-001101](#)