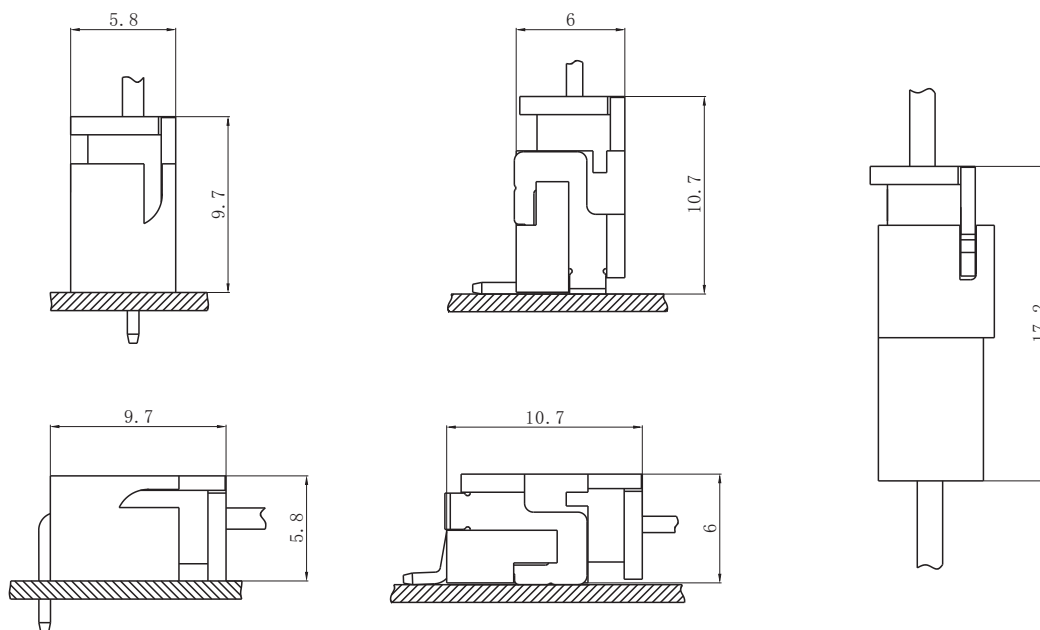


**技术特性/Specifications:**

额定电压 Rated voltage: 250V AC, DC  
 额定电流 Rated current: 3A AC, DC  
 接触电阻 Contact resistance: 20mΩ max  
 绝缘电阻 Insulation resistance: 1000MΩ min  
 耐压 Withstand voltage: 1000V AC/minute  
 环境温度 Ambient temperature: -40℃~+105℃  
 适用线规 Wire range: AWG#28~#20

**PC电路板布局和组件布局 PC board layout and Assembly layout**

▣ Assembly layout (装配布局)



上图为连接器安装侧观察图  
 Notes: The above figure is the figure viewed from the connector mounting side.

□ DL25001-T (TJC3-T)



□ DL25001-RT (TJC3-RT)



| Model No. (型号)         | Applicable wire (适用线规) |       |                          | Material (材料)         | Plating (电镀)    | Qty/reel (数量/盘) |
|------------------------|------------------------|-------|--------------------------|-----------------------|-----------------|-----------------|
|                        | mm <sup>2</sup>        | AWG#  | Insulation O.D. (绝缘外径mm) |                       |                 |                 |
| DL25001-T (TJC3-T)     | 0.08~0.33              | 28~22 | φ 1.2~1.9                | Phosphor bronze (磷青铜) | Tin Plated (镀锡) | 7000            |
| DL25001-T-G (TJC3-T-G) | 0.20~0.52              | 24~20 | φ 1.4~2.5                | Phosphor bronze (磷青铜) | Tin Plated (镀锡) | 7000            |
| DL25001-RT (TJC3-RT)   | 0.08~0.33              | 28~22 | φ 1.2~1.9                | Phosphor bronze (磷青铜) | Tin Plated (镀锡) | 7000            |

符合RoHS标准  
RoHS compliance

□ DL25001-Y (TJC3-Y)



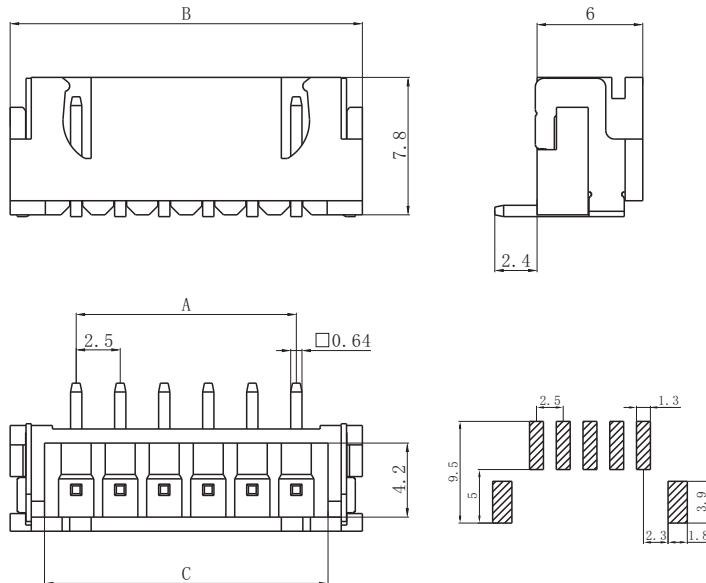
| Circuits (电路) | Product name (产品名称) | Dimensions (尺寸mm) |       |       |
|---------------|---------------------|-------------------|-------|-------|
|               |                     | A                 | B     | C     |
| 2             | TJC3-2Y             | 2.50              | 5.70  | 7.30  |
| 3             | TJC3-3Y             | 5.00              | 8.20  | 9.80  |
| 4             | TJC3-4Y             | 7.50              | 10.70 | 12.30 |
| 5             | TJC3-5Y             | 10.00             | 13.20 | 14.80 |
| 6             | TJC3-6Y             | 12.50             | 15.70 | 17.30 |
| 7             | TJC3-7Y             | 15.00             | 18.20 | 19.80 |
| 8             | TJC3-8Y             | 17.50             | 20.70 | 22.30 |
| 9             | TJC3-9Y             | 20.00             | 23.20 | 24.80 |
| 10            | TJC3-10Y            | 22.50             | 25.70 | 27.30 |
| 11            | TJC3-11Y            | 25.00             | 28.20 | 29.80 |
| 12            | TJC3-12Y            | 27.50             | 30.70 | 32.30 |
| 13            | TJC3-13Y            | 30.00             | 33.20 | 34.80 |
| 14            | TJC3-14Y            | 32.50             | 35.70 | 37.30 |
| 15            | TJC3-15Y            | 35.00             | 38.20 | 39.80 |
| 16            | TJC3-16Y            | 37.50             | 40.70 | 42.30 |
| 17            | TJC3-17Y            | 40.00             | 43.20 | 44.80 |
| 18            | TJC3-18Y            | 42.50             | 45.70 | 47.30 |
| 19            | TJC3-19Y            | 45.00             | 48.20 | 49.80 |
| 20            | TJC3-20Y            | 47.50             | 50.70 | 52.30 |

Material (材料)

Housing (胶壳): Nylon (尼龙) UL94V-0 (2)

符合RoHS标准  
RoHS compliance

□ DL25001-AB (TJC3-AB)



| Circuits<br>(电路) | Product name<br>(产品名称) | Dimensions (尺寸mm) |       |       |
|------------------|------------------------|-------------------|-------|-------|
|                  |                        | A                 | B     | C     |
| 2                | TJC3-2AB               | 2.50              | 10.00 | 5.95  |
| 3                | TJC3-3AB               | 5.00              | 12.50 | 8.45  |
| 4                | TJC3-4AB               | 7.50              | 15.00 | 10.95 |
| 5                | TJC3-5AB               | 10.00             | 17.50 | 13.45 |
| 6                | TJC3-6AB               | 12.50             | 20.00 | 15.95 |
| 7                | TJC3-7AB               | 15.00             | 22.50 | 18.45 |
| 8                | TJC3-8AB               | 17.50             | 25.00 | 20.95 |
| 9                | TJC3-9AB               | 20.00             | 27.50 | 23.45 |
| 10               | TJC3-10AB              | 22.50             | 30.00 | 25.95 |
| 11               | TJC3-11AB              | 25.00             | 32.50 | 28.45 |
| 12               | TJC3-12AB              | 27.50             | 35.00 | 30.95 |
| 13               | TJC3-13AB              | 30.00             | 37.50 | 33.45 |
| 14               | TJC3-14AB              | 32.50             | 40.00 | 35.95 |
| 15               | TJC3-15AB              | 35.00             | 42.50 | 38.45 |
| 16               | TJC3-16AB              | 37.50             | 45.00 | 40.95 |
| 17               | TJC3-17AB              | 40.00             | 47.50 | 43.45 |
| 18               | TJC3-18AB              | 42.50             | 50.00 | 45.95 |
| 19               | TJC3-19AB              | 45.00             | 52.50 | 48.45 |
| 20               | TJC3-20AB              | 47.50             | 55.00 | 50.95 |

Material (材料)

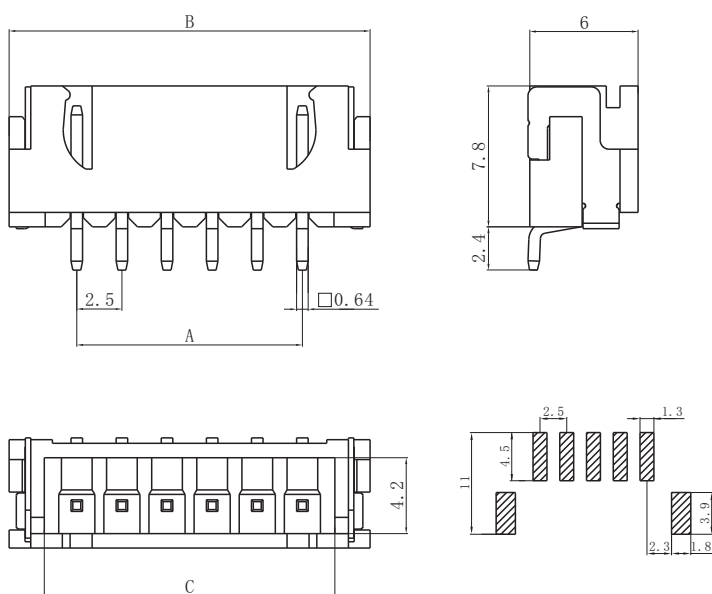
Housing (胶壳): LCP UL94V-0

Wafer (接触件): Brass (黄铜)/Tin plated (镀锡)

Solder tabs (焊片): Brass (黄铜)/Tin plated (镀锡)

符合RoHS标准  
RoHS compliance

□ DL25001-AWB (TJC3-AWB)



| Circuits<br>(电路) | Product name<br>(产品名称) | Dimensions (尺寸mm) |       |       |
|------------------|------------------------|-------------------|-------|-------|
|                  |                        | A                 | B     | C     |
| 2                | TJC3-2AWB              | 2.50              | 10.00 | 5.95  |
| 3                | TJC3-3AWB              | 5.00              | 12.50 | 8.45  |
| 4                | TJC3-4AWB              | 7.50              | 15.00 | 10.95 |
| 5                | TJC3-5AWB              | 10.00             | 17.50 | 13.45 |
| 6                | TJC3-6AWB              | 12.50             | 20.00 | 15.95 |
| 7                | TJC3-7AWB              | 15.00             | 22.50 | 18.45 |
| 8                | TJC3-8AWB              | 17.50             | 25.00 | 20.95 |
| 9                | TJC3-9AWB              | 20.00             | 27.50 | 23.45 |
| 10               | TJC3-10AWB             | 22.50             | 30.00 | 25.95 |
| 11               | TJC3-11AWB             | 25.00             | 32.50 | 28.45 |
| 12               | TJC3-12AWB             | 27.50             | 35.00 | 30.95 |
| 13               | TJC3-13AWB             | 30.00             | 37.50 | 33.45 |
| 14               | TJC3-14AWB             | 32.50             | 40.00 | 35.95 |
| 15               | TJC3-15AWB             | 35.00             | 42.50 | 38.45 |
| 16               | TJC3-16AWB             | 37.50             | 45.00 | 40.95 |
| 17               | TJC3-17AWB             | 40.00             | 47.50 | 43.45 |
| 18               | TJC3-18AWB             | 42.50             | 50.00 | 45.95 |
| 19               | TJC3-19AWB             | 45.00             | 52.50 | 48.45 |
| 20               | TJC3-20AWB             | 47.50             | 55.00 | 50.95 |

Material (材料)

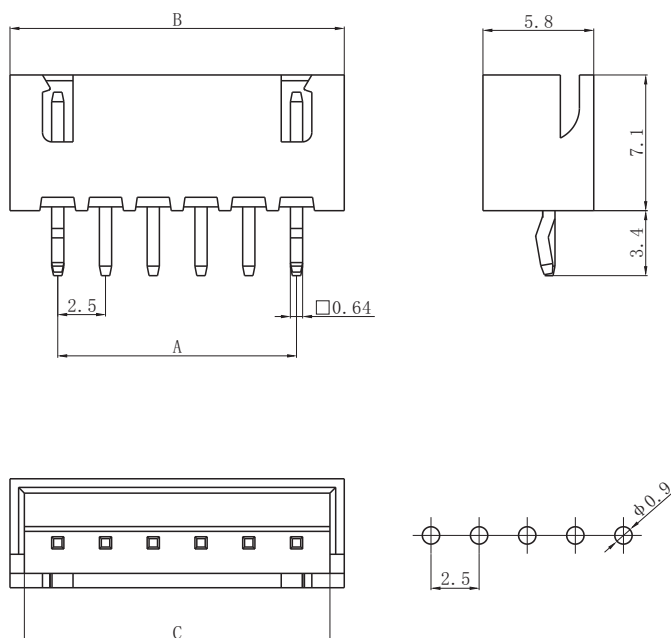
Housing (胶壳): LCP UL94-V0

Wafer (接触件): Brass (黄铜)/Tin plated (镀锡)

Solder tabs (焊片): Brass (黄铜)/Tin plated (镀锡)

符合RoHS标准  
RoHS compliance

□ DL25001-A-K (TJC3-A-K)



| Circuits<br>(电路) | Product name<br>(产品名称) | Dimensions (尺寸mm) |       |       |
|------------------|------------------------|-------------------|-------|-------|
|                  |                        | A                 | B     | C     |
| 2                | TJC3-2A-K              | 2.50              | 7.50  | 6.00  |
| 3                | TJC3-3A-K              | 5.00              | 10.00 | 8.50  |
| 4                | TJC3-4A-K              | 7.50              | 12.50 | 11.00 |
| 5                | TJC3-5A-K              | 10.00             | 15.00 | 13.50 |
| 6                | TJC3-6A-K              | 12.50             | 17.50 | 16.00 |
| 7                | TJC3-7A-K              | 15.00             | 20.00 | 18.50 |
| 8                | TJC3-8A-K              | 17.50             | 22.50 | 21.00 |
| 9                | TJC3-9A-K              | 20.00             | 25.00 | 23.50 |
| 10               | TJC3-10A-K             | 22.50             | 27.50 | 26.00 |
| 11               | TJC3-11A-K             | 25.00             | 30.00 | 28.50 |
| 12               | TJC3-12A-K             | 27.50             | 32.50 | 31.00 |
| 13               | TJC3-13A-K             | 30.00             | 35.00 | 33.50 |
| 14               | TJC3-14A-K             | 32.50             | 37.50 | 36.00 |
| 15               | TJC3-15A-K             | 35.00             | 40.00 | 38.50 |
| 16               | TJC3-16A-K             | 37.50             | 42.50 | 41.00 |
| 17               | TJC3-17A-K             | 40.00             | 45.00 | 43.50 |
| 18               | TJC3-18A-K             | 42.50             | 47.50 | 46.00 |
| 19               | TJC3-19A-K             | 45.00             | 50.00 | 48.50 |
| 20               | TJC3-20A-K             | 47.50             | 52.50 | 51.00 |

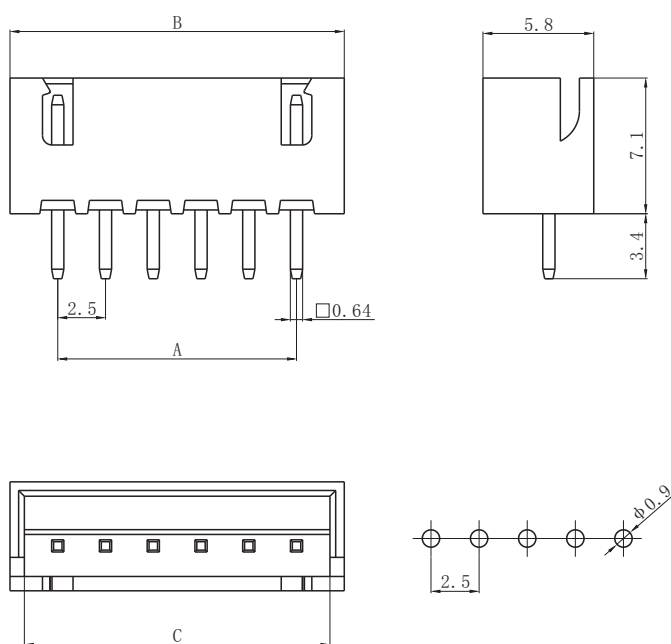
Material (材料)

Housing (胶壳): Nylon (尼龙) UL94V-0 (2)

Wafer (接触件): Brass (黄铜) / Tin plated (镀锡)

符合RoHS标准  
RoHS compliance

□ DL25001-A-Z (TJC3-A-Z)



| Circuits<br>(电路) | Product name<br>(产品名称) | Dimensions (尺寸mm) |       |       |
|------------------|------------------------|-------------------|-------|-------|
|                  |                        | A                 | B     | C     |
| 2                | TJC3-2A-Z              | 2.50              | 7.50  | 6.00  |
| 3                | TJC3-3A-Z              | 5.00              | 10.00 | 8.50  |
| 4                | TJC3-4A-Z              | 7.50              | 12.50 | 11.00 |
| 5                | TJC3-5A-Z              | 10.00             | 15.00 | 13.50 |
| 6                | TJC3-6A-Z              | 12.50             | 17.50 | 16.00 |
| 7                | TJC3-7A-Z              | 15.00             | 20.00 | 18.50 |
| 8                | TJC3-8A-Z              | 17.50             | 22.50 | 21.00 |
| 9                | TJC3-9A-Z              | 20.00             | 25.00 | 23.50 |
| 10               | TJC3-10A-Z             | 22.50             | 27.50 | 26.00 |
| 11               | TJC3-11A-Z             | 25.00             | 30.00 | 28.50 |
| 12               | TJC3-12A-Z             | 27.50             | 32.50 | 31.00 |
| 13               | TJC3-13A-Z             | 30.00             | 35.00 | 33.50 |
| 14               | TJC3-14A-Z             | 32.50             | 37.50 | 36.00 |
| 15               | TJC3-15A-Z             | 35.00             | 40.00 | 38.50 |
| 16               | TJC3-16A-Z             | 37.50             | 42.50 | 41.00 |
| 17               | TJC3-17A-Z             | 40.00             | 45.00 | 43.50 |
| 18               | TJC3-18A-Z             | 42.50             | 47.50 | 46.00 |
| 19               | TJC3-19A-Z             | 45.00             | 50.00 | 48.50 |
| 20               | TJC3-20A-Z             | 47.50             | 52.50 | 51.00 |

Material (材料)

Housing (胶壳): Nylon (尼龙) UL94V-0 (2)

Wafer (接触件): Brass (黄铜) / Tin plated (镀锡)

符合RoHS标准  
RoHS compliance

□ DL25001-AS-K (TJC3-AS-K)



| Circuits<br>(电路) | Product name<br>(产品名称) | Dimensions (尺寸mm) |       |       |
|------------------|------------------------|-------------------|-------|-------|
|                  |                        | A                 | B     | C     |
| 2                | TJC3-2AS-K             | 2.50              | 7.50  | 6.00  |
| 3                | TJC3-3AS-K             | 5.00              | 10.00 | 8.50  |
| 4                | TJC3-4AS-K             | 7.50              | 12.50 | 11.00 |
| 5                | TJC3-5AS-K             | 10.00             | 15.00 | 13.50 |
| 6                | TJC3-6AS-K             | 12.50             | 17.50 | 16.00 |
| 7                | TJC3-7AS-K             | 15.00             | 20.00 | 18.50 |
| 8                | TJC3-8AS-K             | 17.50             | 22.50 | 21.00 |
| 9                | TJC3-9AS-K             | 20.00             | 25.00 | 23.50 |
| 10               | TJC3-10AS-K            | 22.50             | 27.50 | 26.00 |
| 11               | TJC3-11AS-K            | 25.00             | 30.00 | 28.50 |
| 12               | TJC3-12AS-K            | 27.50             | 32.50 | 31.00 |
| 13               | TJC3-13AS-K            | 30.00             | 35.00 | 33.50 |
| 14               | TJC3-14AS-K            | 32.50             | 37.50 | 36.00 |
| 15               | TJC3-15AS-K            | 35.00             | 40.00 | 38.50 |
| 16               | TJC3-16AS-K            | 37.50             | 42.50 | 41.00 |
| 17               | TJC3-17AS-K            | 40.00             | 45.00 | 43.50 |
| 18               | TJC3-18AS-K            | 42.50             | 47.50 | 46.00 |
| 19               | TJC3-19AS-K            | 45.00             | 50.00 | 48.50 |
| 20               | TJC3-20AS-K            | 47.50             | 52.50 | 51.00 |

Material (材料)

Housing (胶壳): Nylon (尼龙) UL94V-0 (2)

Wafer (接触件): Brass (黄铜) / Tin plated (镀锡)

符合RoHS标准  
RoHS compliance

□ DL25001-AW-Z (TJC3-AW-Z)



| Circuits<br>(电路) | Product name<br>(产品名称) | Dimensions (尺寸mm) |       |       |
|------------------|------------------------|-------------------|-------|-------|
|                  |                        | A                 | B     | C     |
| 2                | TJC3-2AW-Z             | 2.50              | 7.50  | 6.00  |
| 3                | TJC3-3AW-Z             | 5.00              | 10.00 | 8.50  |
| 4                | TJC3-4AW-Z             | 7.50              | 12.50 | 11.00 |
| 5                | TJC3-5AW-Z             | 10.00             | 15.00 | 13.50 |
| 6                | TJC3-6AW-Z             | 12.50             | 17.50 | 16.00 |
| 7                | TJC3-7AW-Z             | 15.00             | 20.00 | 18.50 |
| 8                | TJC3-8AW-Z             | 17.50             | 22.50 | 21.00 |
| 9                | TJC3-9AW-Z             | 20.00             | 25.00 | 23.50 |
| 10               | TJC3-10AW-Z            | 22.50             | 27.50 | 26.00 |
| 11               | TJC3-11AW-Z            | 25.00             | 30.00 | 28.50 |
| 12               | TJC3-12AW-Z            | 27.50             | 32.50 | 31.00 |
| 13               | TJC3-13AW-Z            | 30.00             | 35.00 | 33.50 |
| 14               | TJC3-14AW-Z            | 32.50             | 37.50 | 36.00 |
| 15               | TJC3-15AW-Z            | 35.00             | 40.00 | 38.50 |
| 16               | TJC3-16AW-Z            | 37.50             | 42.50 | 41.00 |
| 17               | TJC3-17AW-Z            | 40.00             | 45.00 | 43.50 |
| 18               | TJC3-18AW-Z            | 42.50             | 47.50 | 46.00 |
| 19               | TJC3-19AW-Z            | 45.00             | 50.00 | 48.50 |
| 20               | TJC3-20AW-Z            | 47.50             | 52.50 | 51.00 |

Material (材料)

Housing (胶壳): Nylon (尼龙) UL94V-0 (2)

Wafer (接触件): Brass (黄铜) / Tin plated (镀锡)

符合RoHS标准  
RoHS compliance

□ DL25001-AWF-K (TJC3-AWF-K)



| Circuits<br>(电路) | Product name<br>(产品名称) | Dimensions (尺寸mm) |       |       |
|------------------|------------------------|-------------------|-------|-------|
|                  |                        | A                 | B     | C     |
| 2                | TJC3-2AWF-K            | 2.50              | 7.50  | 6.00  |
| 3                | TJC3-3AWF-K            | 5.00              | 10.00 | 8.50  |
| 4                | TJC3-4AWF-K            | 7.50              | 12.50 | 11.00 |
| 5                | TJC3-5AWF-K            | 10.00             | 15.00 | 13.50 |
| 6                | TJC3-6AWF-K            | 12.50             | 17.50 | 16.00 |
| 7                | TJC3-7AWF-K            | 15.00             | 20.00 | 18.50 |
| 8                | TJC3-8AWF-K            | 17.50             | 22.50 | 21.00 |
| 9                | TJC3-9AWF-K            | 20.00             | 25.00 | 23.50 |
| 10               | TJC3-10AWF-K           | 22.50             | 27.50 | 26.00 |
| 11               | TJC3-11AWF-K           | 25.00             | 30.00 | 28.50 |
| 12               | TJC3-12AWF-K           | 27.50             | 32.50 | 31.00 |
| 13               | TJC3-13AWF-K           | 30.00             | 35.00 | 33.50 |
| 14               | TJC3-14AWF-K           | 32.50             | 37.50 | 36.00 |
| 15               | TJC3-15AWF-K           | 35.00             | 40.00 | 38.50 |
| 16               | TJC3-16AWF-K           | 37.50             | 42.50 | 41.00 |
| 17               | TJC3-17AWF-K           | 40.00             | 45.00 | 43.50 |
| 18               | TJC3-18AWF-K           | 42.50             | 47.50 | 46.00 |
| 19               | TJC3-19AWF-K           | 45.00             | 50.00 | 48.50 |
| 20               | TJC3-20AWF-K           | 47.50             | 52.50 | 51.00 |

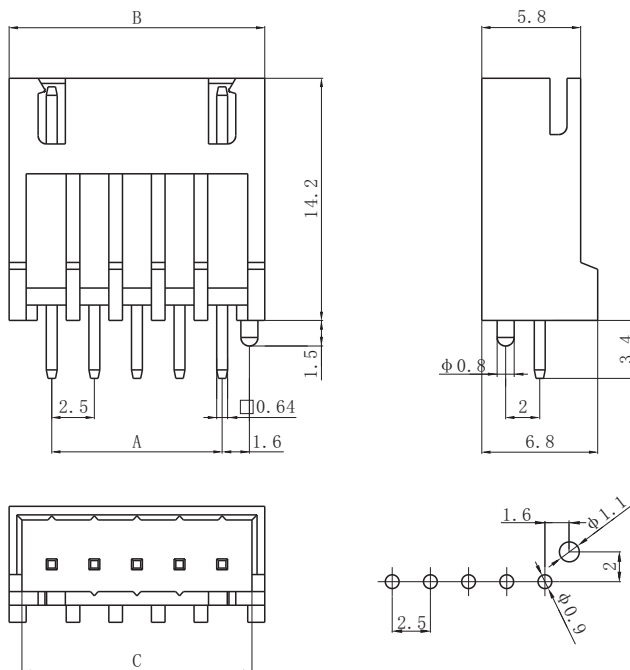
Material (材料)

Housing (胶壳): Nylon (尼龙) UL94V-0 (2)

Wafer (接触件): Brass (黄铜) / Tin plated (镀锡)

符合RoHS标准  
RoHS compliance

□ DL25036-AS-750 (TJC3-H-AS-750)



| Circuits<br>(电路) | Product name<br>(产品名称) | Dimensions (尺寸mm) |       |       |
|------------------|------------------------|-------------------|-------|-------|
|                  |                        | A                 | B     | C     |
| 2                | TJC3-H-2AS-750         | 2.50              | 7.50  | 6.00  |
| 3                | TJC3-H-3AS-750         | 5.00              | 10.00 | 8.50  |
| 4                | TJC3-H-4AS-750         | 7.50              | 12.50 | 11.00 |
| 5                | TJC3-H-5AS-750         | 10.00             | 15.00 | 13.50 |
| 6                | TJC3-H-6AS-750         | 12.50             | 17.50 | 16.00 |
| 7                | TJC3-H-7AS-750         | 15.00             | 20.00 | 18.50 |
| 8                | TJC3-H-8AS-750         | 17.50             | 22.50 | 21.00 |
| 9                | TJC3-H-9AS-750         | 20.00             | 25.00 | 23.50 |
| 10               | TJC3-H-10AS-750        | 22.50             | 27.50 | 26.00 |
| 11               | TJC3-H-11AS-750        | 25.00             | 30.00 | 28.50 |
| 12               | TJC3-H-12AS-750        | 27.50             | 32.50 | 31.00 |
| 13               | TJC3-H-13AS-750        | 30.00             | 35.00 | 33.50 |
| 14               | TJC3-H-14AS-750        | 32.50             | 37.50 | 36.00 |
| 15               | TJC3-H-15AS-750        | 35.00             | 40.00 | 38.50 |
| 16               | TJC3-H-16AS-750        | 37.50             | 42.50 | 41.00 |
| 17               | TJC3-H-17AS-750        | 40.00             | 45.00 | 43.50 |
| 18               | TJC3-H-18AS-750        | 42.50             | 47.50 | 46.00 |
| 19               | TJC3-H-19AS-750        | 45.00             | 50.00 | 48.50 |
| 20               | TJC3-H-20AS-750        | 47.50             | 52.50 | 51.00 |

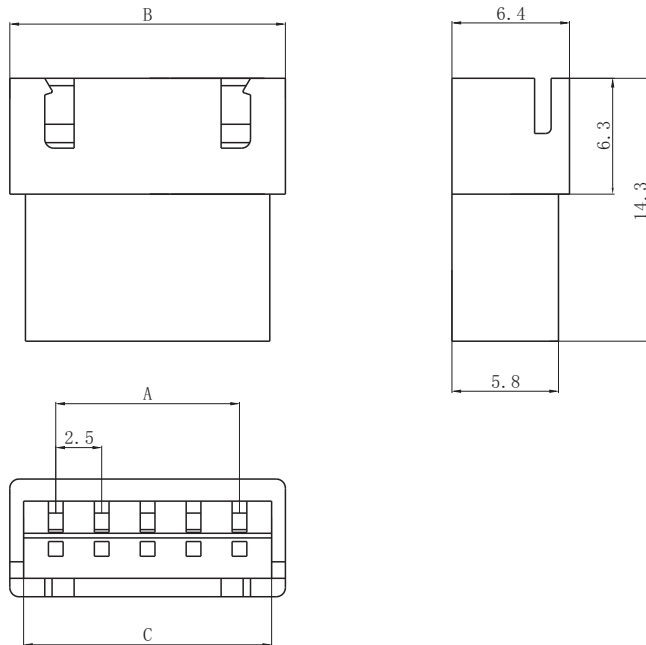
Material (材料)

Housing (胶壳): Nylon (尼龙) 750°C UL94V-0

Wafer (接触件): Brass (黄铜) / Tin plated (镀锡)

符合RoHS标准  
RoHS compliance

□ DL25001-R (TJC3-R)



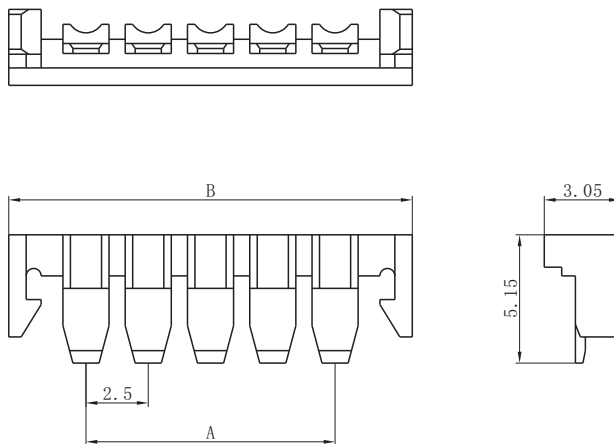
| Circuits<br>(电路) | Product name<br>(产品名称) | Dimensions (尺寸mm) |       |       |
|------------------|------------------------|-------------------|-------|-------|
|                  |                        | A                 | B     | C     |
| 2                | TJC3-2R                | 2.50              | 7.50  | 6.00  |
| 3                | TJC3-3R                | 5.00              | 10.00 | 8.50  |
| 4                | TJC3-4R                | 7.50              | 12.50 | 11.00 |
| 5                | TJC3-5R                | 10.00             | 15.00 | 13.50 |
| 6                | TJC3-6R                | 12.50             | 17.50 | 16.00 |
| 7                | TJC3-7R                | 15.00             | 20.00 | 18.50 |
| 8                | TJC3-8R                | 17.50             | 22.50 | 21.00 |
| 9                | TJC3-9R                | 20.00             | 25.00 | 23.50 |
| 10               | TJC3-10R               | 22.50             | 27.50 | 26.00 |
| 11               | TJC3-11R               | 25.00             | 30.00 | 28.50 |
| 12               | TJC3-12R               | 27.50             | 32.50 | 31.00 |
| 13               | TJC3-13R               | 30.00             | 35.00 | 33.50 |
| 14               | TJC3-14R               | 32.50             | 37.50 | 36.00 |
| 15               | TJC3-15R               | 35.00             | 40.00 | 38.50 |
| 16               | TJC3-16R               | 37.50             | 42.50 | 41.00 |
| 17               | TJC3-17R               | 40.00             | 45.00 | 43.50 |
| 18               | TJC3-18R               | 42.50             | 47.50 | 46.00 |
| 19               | TJC3-19R               | 45.00             | 50.00 | 48.50 |
| 20               | TJC3-20R               | 47.50             | 52.50 | 51.00 |

Material (材料)

Housing (胶壳): Nylon (尼龙) UL94V-0 (2)

符合RoHS标准  
RoHS compliance

□ DL25001-S (TJC3-S)



| Circuits<br>(电路) | Product name<br>(产品名称) | Dimensions (尺寸mm) |       |
|------------------|------------------------|-------------------|-------|
|                  |                        | A                 | B     |
| 2                | TJC3-2S                | 2.50              | 8.70  |
| 3                | TJC3-3S                | 5.00              | 11.20 |
| 4                | TJC3-4S                | 7.50              | 13.70 |
| 5                | TJC3-5S                | 10.00             | 16.20 |
| 6                | TJC3-6S                | 12.50             | 18.70 |
| 7                | TJC3-7S                | 15.00             | 21.20 |
| 8                | TJC3-8S                | 17.50             | 23.70 |
| 9                | TJC3-9S                | 20.00             | 26.20 |
| 10               | TJC3-10S               | 22.50             | 28.70 |
| 11               | TJC3-11S               | 25.00             | 31.20 |
| 12               | TJC3-12S               | 27.50             | 33.70 |
| 13               | TJC3-13S               | 30.00             | 36.20 |
| 14               | TJC3-14S               | 32.50             | 38.70 |
| 15               | TJC3-15S               | 35.00             | 41.20 |
| 16               | TJC3-16S               | 37.50             | 43.70 |
| 17               | TJC3-17S               | 40.00             | 46.20 |
| 18               | TJC3-18S               | 42.50             | 48.70 |
| 19               | TJC3-19S               | 45.00             | 51.20 |
| 20               | TJC3-20S               | 47.50             | 53.70 |

Material (材料)

Housing (胶壳): Nylon (尼龙) UL94V-0 (2)

符合RoHS标准  
RoHS compliance

## X-ON Electronics

Largest Supplier of Electrical and Electronic Components

*Click to view similar products for [Headers & Wire Housings](#) category:*

*Click to view products by [DLL](#) manufacturer:*

Other Similar products are found below :

[0015917161](#) [0022155065](#) [57102-F02-18ULF](#) [58102-G61-06LF](#) [582553-1](#) [01.001.5753.1](#) [0050291907](#) [02.125.8002.8](#) [609-3404](#) [61062-3](#)  
[CSU011177004](#) [622-0430](#) [622-3653LF](#) [63453-116](#) [636-1030](#) [636-1427](#) [636-3427](#) [636-4007](#) [641938-9](#) [65495-038](#) [65692-001LF](#) [65781-018](#)  
[65781-047](#) [65817-010LF](#) [65817-015LF](#) [67095-007LF](#) [67601157](#) [68631-112](#) [68645-018](#) [699319-000](#) [70.362.1628.0](#) [70-4210](#) [70-4226B](#) [70-](#)  
[4853B](#) [71.350.2428.0](#) [733-134](#) [733-162](#) [760-3052](#) [MHR-64-VUAL](#) [80.063.4001.1](#) [800-90-001-10-001000](#) [801-43-002-10-013000](#)  
[801-43-006-10-002000](#) [803-43-024-10-001000](#) [803-93-012-10-001000](#) [8-1437020-4](#) [819-22-004-30-001101](#) [820-22-006-30-001101](#)  
[820-22-008-30-001101](#) [821-22-002-10-001101](#)