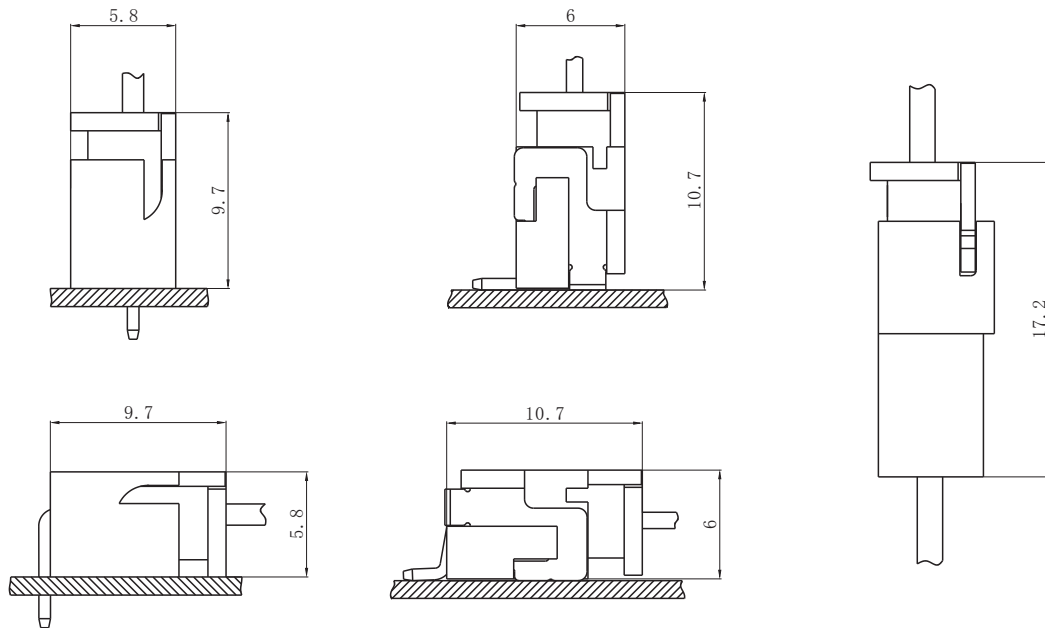


技术特性/Specifications:

额定电压 Rated voltage: 250V AC, DC
 额定电流 Rated current: 3A AC, DC
 接触电阻 Contact resistance: 20mΩ max
 绝缘电阻 Insulation resistance: 1000MΩ min
 耐压 Withstand voltage: 1000V AC/minute
 环境温度 Ambient temperature: -40℃~+105℃
 适用线规 Wire range: AWG#28~#20

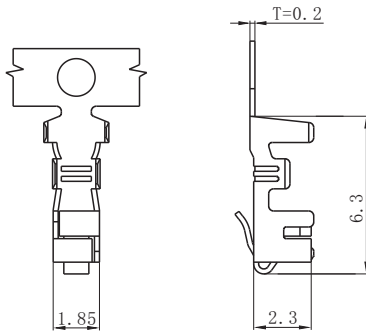
PC电路板布局和组件布局 PC board layout and Assembly layout

▣ Assembly layout (装配布局)

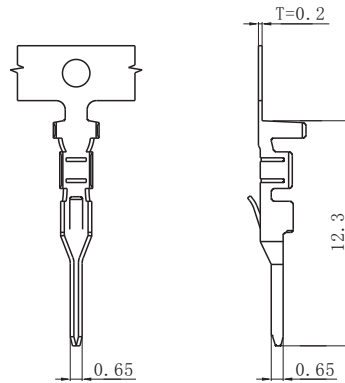


上图为连接器安装侧观察图
 Notes: The above figure is the figure viewed from the connector mounting side.

□ DL25001-T (TJC3-T)



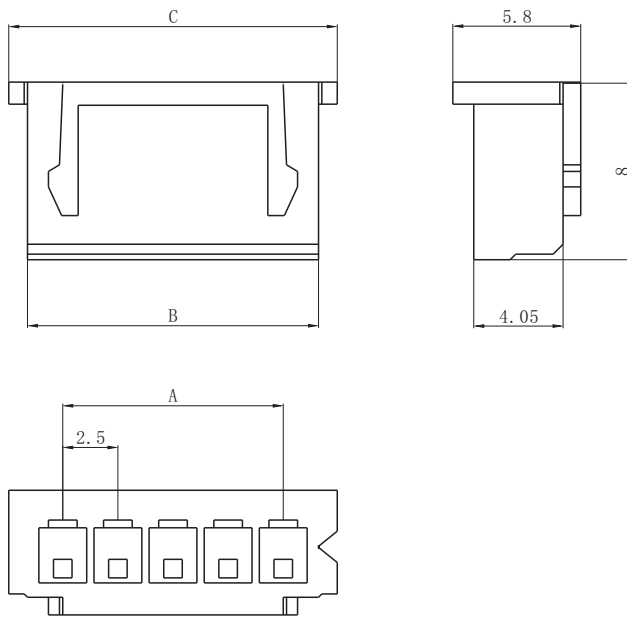
□ DL25001-RT (TJC3-RT)



Model No. (型号)	Applicable wire (适用线规)			Material (材料)	Plating (电镀)	Qty/reel (数量/盘)
	mm ²	AWG#	Insulation O.D. (绝缘外径mm)			
DL25001-T (TJC3-T)	0.08~0.33	28~22	φ 1.2~1.9	Phosphor bronze (磷青铜)	Tin Plated (镀锡)	7000
DL25001-T-G (TJC3-T-G)	0.20~0.52	24~20	φ 1.4~2.5	Phosphor bronze (磷青铜)	Tin Plated (镀锡)	7000
DL25001-RT (TJC3-RT)	0.08~0.33	28~22	φ 1.2~1.9	Phosphor bronze (磷青铜)	Tin Plated (镀锡)	7000

符合RoHS标准
RoHS compliance

□ DL25001-Y (TJC3-Y)



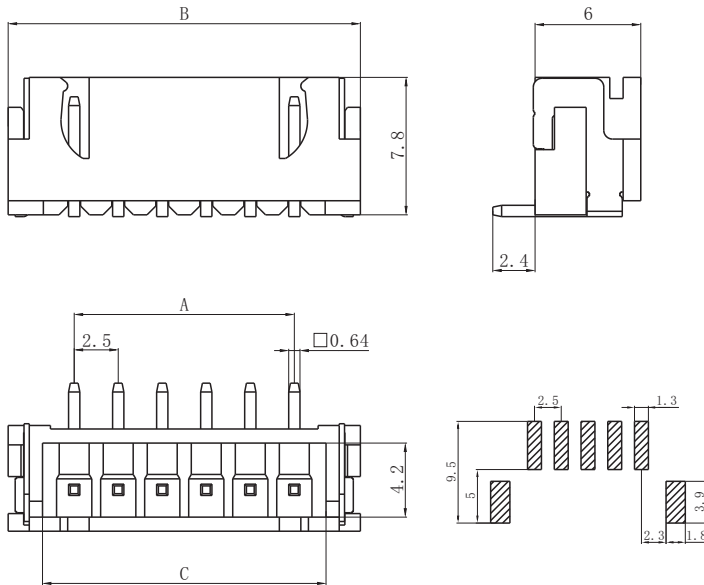
Circuits (电路)	Product name (产品名称)	Dimensions (尺寸mm)		
		A	B	C
2	TJC3-2Y	2.50	5.70	7.30
3	TJC3-3Y	5.00	8.20	9.80
4	TJC3-4Y	7.50	10.70	12.30
5	TJC3-5Y	10.00	13.20	14.80
6	TJC3-6Y	12.50	15.70	17.30
7	TJC3-7Y	15.00	18.20	19.80
8	TJC3-8Y	17.50	20.70	22.30
9	TJC3-9Y	20.00	23.20	24.80
10	TJC3-10Y	22.50	25.70	27.30
11	TJC3-11Y	25.00	28.20	29.80
12	TJC3-12Y	27.50	30.70	32.30
13	TJC3-13Y	30.00	33.20	34.80
14	TJC3-14Y	32.50	35.70	37.30
15	TJC3-15Y	35.00	38.20	39.80
16	TJC3-16Y	37.50	40.70	42.30
17	TJC3-17Y	40.00	43.20	44.80
18	TJC3-18Y	42.50	45.70	47.30
19	TJC3-19Y	45.00	48.20	49.80
20	TJC3-20Y	47.50	50.70	52.30

Material (材料)

Housing (胶壳): Nylon (尼龙) UL94V-0 (2)

符合RoHS标准
RoHS compliance

□ DL25001-AB (TJC3-AB)



Circuits (电路)	Product name (产品名称)	Dimensions (尺寸mm)		
		A	B	C
2	TJC3-2AB	2.50	10.00	5.95
3	TJC3-3AB	5.00	12.50	8.45
4	TJC3-4AB	7.50	15.00	10.95
5	TJC3-5AB	10.00	17.50	13.45
6	TJC3-6AB	12.50	20.00	15.95
7	TJC3-7AB	15.00	22.50	18.45
8	TJC3-8AB	17.50	25.00	20.95
9	TJC3-9AB	20.00	27.50	23.45
10	TJC3-10AB	22.50	30.00	25.95
11	TJC3-11AB	25.00	32.50	28.45
12	TJC3-12AB	27.50	35.00	30.95
13	TJC3-13AB	30.00	37.50	33.45
14	TJC3-14AB	32.50	40.00	35.95
15	TJC3-15AB	35.00	42.50	38.45
16	TJC3-16AB	37.50	45.00	40.95
17	TJC3-17AB	40.00	47.50	43.45
18	TJC3-18AB	42.50	50.00	45.95
19	TJC3-19AB	45.00	52.50	48.45
20	TJC3-20AB	47.50	55.00	50.95

Material (材料)

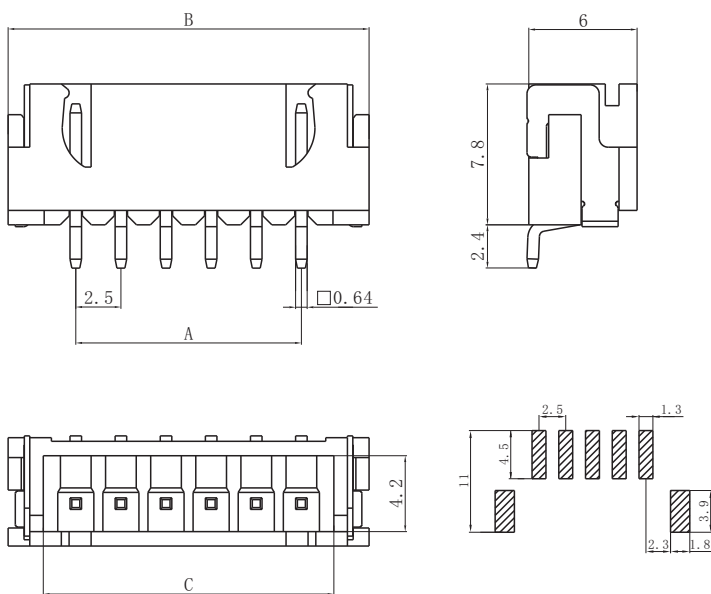
Housing (胶壳): LCP UL94V-0

Wafer (接触件): Brass (黄铜)/Tin plated (镀锡)

Solder tabs (焊片): Brass (黄铜)/Tin plated (镀锡)

符合RoHS标准
RoHS compliance

□ DL25001-AWB (TJC3-AWB)



Circuits (电路)	Product name (产品名称)	Dimensions (尺寸mm)		
		A	B	C
2	TJC3-2AWB	2.50	10.00	5.95
3	TJC3-3AWB	5.00	12.50	8.45
4	TJC3-4AWB	7.50	15.00	10.95
5	TJC3-5AWB	10.00	17.50	13.45
6	TJC3-6AWB	12.50	20.00	15.95
7	TJC3-7AWB	15.00	22.50	18.45
8	TJC3-8AWB	17.50	25.00	20.95
9	TJC3-9AWB	20.00	27.50	23.45
10	TJC3-10AWB	22.50	30.00	25.95
11	TJC3-11AWB	25.00	32.50	28.45
12	TJC3-12AWB	27.50	35.00	30.95
13	TJC3-13AWB	30.00	37.50	33.45
14	TJC3-14AWB	32.50	40.00	35.95
15	TJC3-15AWB	35.00	42.50	38.45
16	TJC3-16AWB	37.50	45.00	40.95
17	TJC3-17AWB	40.00	47.50	43.45
18	TJC3-18AWB	42.50	50.00	45.95
19	TJC3-19AWB	45.00	52.50	48.45
20	TJC3-20AWB	47.50	55.00	50.95

Material (材料)

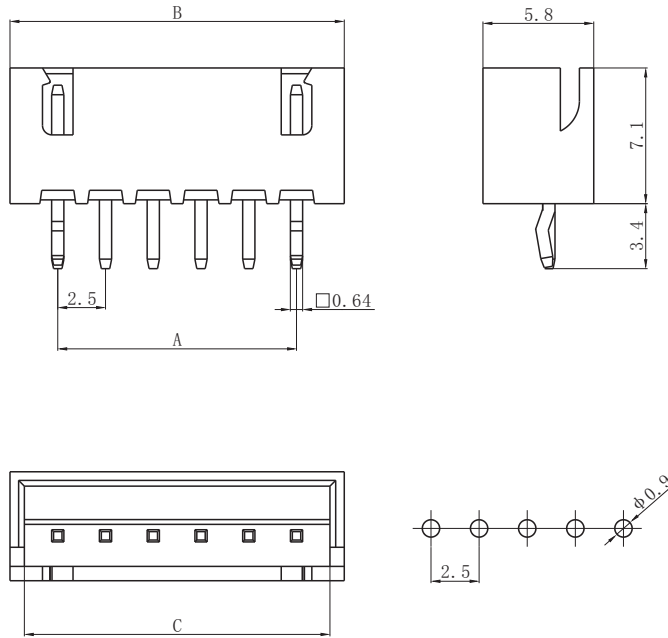
Housing (胶壳): LCP UL94-V0

Wafer (接触件): Brass (黄铜)/Tin plated (镀锡)

Solder tabs (焊片): Brass (黄铜)/Tin plated (镀锡)

符合RoHS标准
RoHS compliance

□ DL25001-A-K (TJC3-A-K)



Circuits (电路)	Product name (产品名称)	Dimensions (尺寸mm)		
		A	B	C
2	TJC3-2A-K	2.50	7.50	6.00
3	TJC3-3A-K	5.00	10.00	8.50
4	TJC3-4A-K	7.50	12.50	11.00
5	TJC3-5A-K	10.00	15.00	13.50
6	TJC3-6A-K	12.50	17.50	16.00
7	TJC3-7A-K	15.00	20.00	18.50
8	TJC3-8A-K	17.50	22.50	21.00
9	TJC3-9A-K	20.00	25.00	23.50
10	TJC3-10A-K	22.50	27.50	26.00
11	TJC3-11A-K	25.00	30.00	28.50
12	TJC3-12A-K	27.50	32.50	31.00
13	TJC3-13A-K	30.00	35.00	33.50
14	TJC3-14A-K	32.50	37.50	36.00
15	TJC3-15A-K	35.00	40.00	38.50
16	TJC3-16A-K	37.50	42.50	41.00
17	TJC3-17A-K	40.00	45.00	43.50
18	TJC3-18A-K	42.50	47.50	46.00
19	TJC3-19A-K	45.00	50.00	48.50
20	TJC3-20A-K	47.50	52.50	51.00

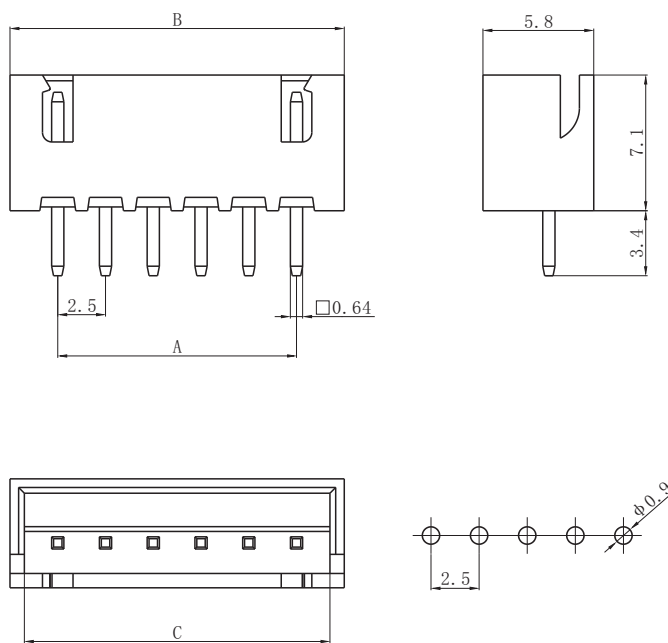
Material (材料)

Housing (胶壳): Nylon (尼龙) UL94V-0 (2)

Wafer (接触件): Brass (黄铜) / Tin plated (镀锡)

符合RoHS标准
RoHS compliance

□ DL25001-A-Z (TJC3-A-Z)



Circuits (电路)	Product name (产品名称)	Dimensions (尺寸mm)		
		A	B	C
2	TJC3-2A-Z	2.50	7.50	6.00
3	TJC3-3A-Z	5.00	10.00	8.50
4	TJC3-4A-Z	7.50	12.50	11.00
5	TJC3-5A-Z	10.00	15.00	13.50
6	TJC3-6A-Z	12.50	17.50	16.00
7	TJC3-7A-Z	15.00	20.00	18.50
8	TJC3-8A-Z	17.50	22.50	21.00
9	TJC3-9A-Z	20.00	25.00	23.50
10	TJC3-10A-Z	22.50	27.50	26.00
11	TJC3-11A-Z	25.00	30.00	28.50
12	TJC3-12A-Z	27.50	32.50	31.00
13	TJC3-13A-Z	30.00	35.00	33.50
14	TJC3-14A-Z	32.50	37.50	36.00
15	TJC3-15A-Z	35.00	40.00	38.50
16	TJC3-16A-Z	37.50	42.50	41.00
17	TJC3-17A-Z	40.00	45.00	43.50
18	TJC3-18A-Z	42.50	47.50	46.00
19	TJC3-19A-Z	45.00	50.00	48.50
20	TJC3-20A-Z	47.50	52.50	51.00

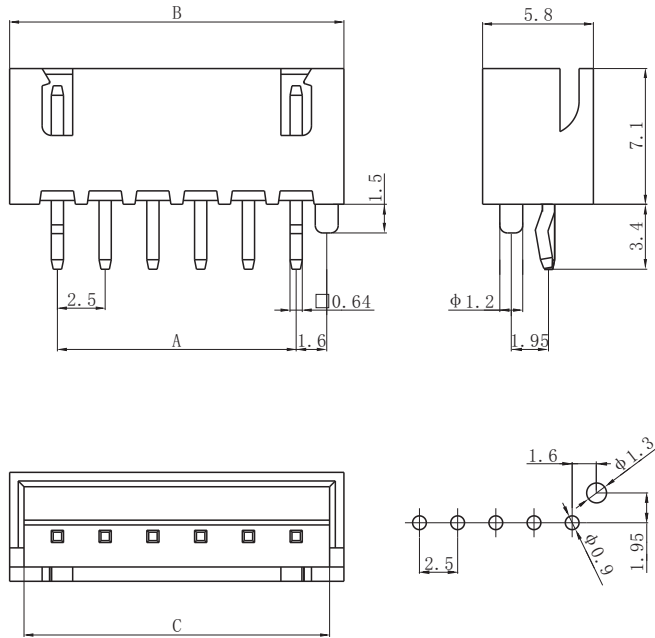
Material (材料)

Housing (胶壳): Nylon (尼龙) UL94V-0 (2)

Wafer (接触件): Brass (黄铜) / Tin plated (镀锡)

符合RoHS标准
RoHS compliance

DL25001-AS-K (TJC3-AS-K)



Circuits (电路)	Product name (产品名称)	Dimensions (尺寸mm)		
		A	B	C
2	TJC3-2AS-K	2.50	7.50	6.00
3	TJC3-3AS-K	5.00	10.00	8.50
4	TJC3-4AS-K	7.50	12.50	11.00
5	TJC3-5AS-K	10.00	15.00	13.50
6	TJC3-6AS-K	12.50	17.50	16.00
7	TJC3-7AS-K	15.00	20.00	18.50
8	TJC3-8AS-K	17.50	22.50	21.00
9	TJC3-9AS-K	20.00	25.00	23.50
10	TJC3-10AS-K	22.50	27.50	26.00
11	TJC3-11AS-K	25.00	30.00	28.50
12	TJC3-12AS-K	27.50	32.50	31.00
13	TJC3-13AS-K	30.00	35.00	33.50
14	TJC3-14AS-K	32.50	37.50	36.00
15	TJC3-15AS-K	35.00	40.00	38.50
16	TJC3-16AS-K	37.50	42.50	41.00
17	TJC3-17AS-K	40.00	45.00	43.50
18	TJC3-18AS-K	42.50	47.50	46.00
19	TJC3-19AS-K	45.00	50.00	48.50
20	TJC3-20AS-K	47.50	52.50	51.00

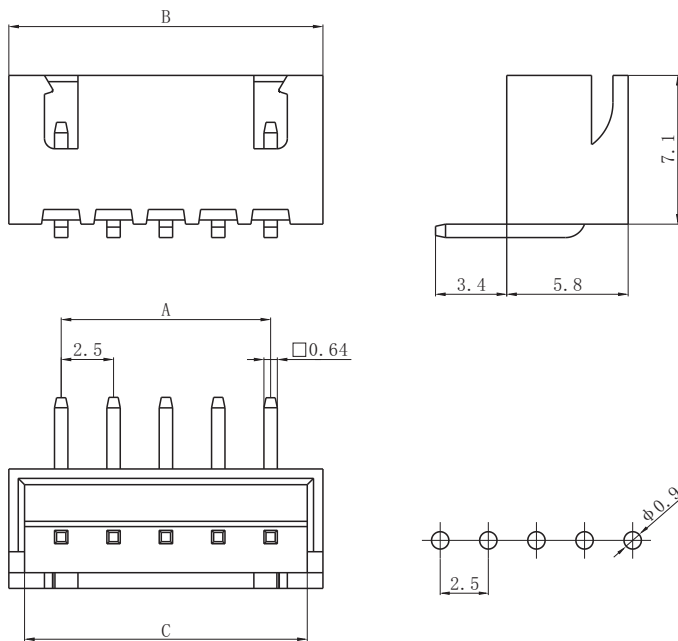
Material (材料)

Housing (胶壳): Nylon (尼龙) UL94V-0 (2)

Wafer (接触件): Brass (黄铜) / Tin plated (镀锡)

符合RoHS标准
RoHS compliance

DL25001-AW-Z (TJC3-AW-Z)



Circuits (电路)	Product name (产品名称)	Dimensions (尺寸mm)		
		A	B	C
2	TJC3-2AW-Z	2.50	7.50	6.00
3	TJC3-3AW-Z	5.00	10.00	8.50
4	TJC3-4AW-Z	7.50	12.50	11.00
5	TJC3-5AW-Z	10.00	15.00	13.50
6	TJC3-6AW-Z	12.50	17.50	16.00
7	TJC3-7AW-Z	15.00	20.00	18.50
8	TJC3-8AW-Z	17.50	22.50	21.00
9	TJC3-9AW-Z	20.00	25.00	23.50
10	TJC3-10AW-Z	22.50	27.50	26.00
11	TJC3-11AW-Z	25.00	30.00	28.50
12	TJC3-12AW-Z	27.50	32.50	31.00
13	TJC3-13AW-Z	30.00	35.00	33.50
14	TJC3-14AW-Z	32.50	37.50	36.00
15	TJC3-15AW-Z	35.00	40.00	38.50
16	TJC3-16AW-Z	37.50	42.50	41.00
17	TJC3-17AW-Z	40.00	45.00	43.50
18	TJC3-18AW-Z	42.50	47.50	46.00
19	TJC3-19AW-Z	45.00	50.00	48.50
20	TJC3-20AW-Z	47.50	52.50	51.00

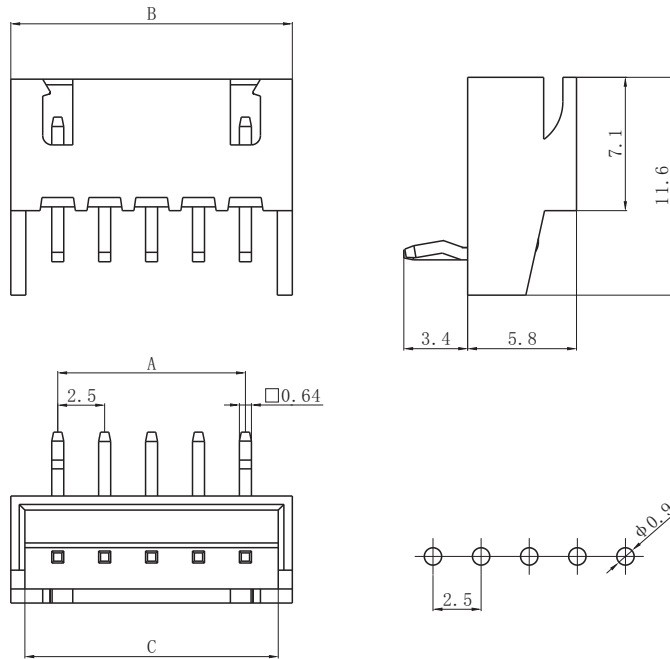
Material (材料)

Housing (胶壳): Nylon (尼龙) UL94V-0 (2)

Wafer (接触件): Brass (黄铜) / Tin plated (镀锡)

符合RoHS标准
RoHS compliance

□ DL25001-AWF-K (TJC3-AWF-K)



Circuits (电路)	Product name (产品名称)	Dimensions (尺寸mm)		
		A	B	C
2	TJC3-2AWF-K	2.50	7.50	6.00
3	TJC3-3AWF-K	5.00	10.00	8.50
4	TJC3-4AWF-K	7.50	12.50	11.00
5	TJC3-5AWF-K	10.00	15.00	13.50
6	TJC3-6AWF-K	12.50	17.50	16.00
7	TJC3-7AWF-K	15.00	20.00	18.50
8	TJC3-8AWF-K	17.50	22.50	21.00
9	TJC3-9AWF-K	20.00	25.00	23.50
10	TJC3-10AWF-K	22.50	27.50	26.00
11	TJC3-11AWF-K	25.00	30.00	28.50
12	TJC3-12AWF-K	27.50	32.50	31.00
13	TJC3-13AWF-K	30.00	35.00	33.50
14	TJC3-14AWF-K	32.50	37.50	36.00
15	TJC3-15AWF-K	35.00	40.00	38.50
16	TJC3-16AWF-K	37.50	42.50	41.00
17	TJC3-17AWF-K	40.00	45.00	43.50
18	TJC3-18AWF-K	42.50	47.50	46.00
19	TJC3-19AWF-K	45.00	50.00	48.50
20	TJC3-20AWF-K	47.50	52.50	51.00

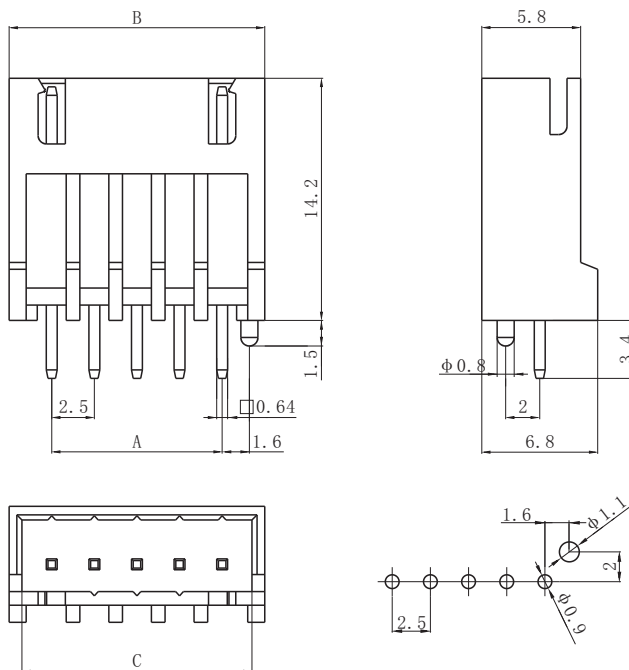
Material (材料)

Housing (胶壳): Nylon (尼龙) UL94V-0 (2)

Wafer (接触件): Brass (黄铜) / Tin plated (镀锡)

符合RoHS标准
RoHS compliance

□ DL25036-AS-750 (TJC3-H-AS-750)



Circuits (电路)	Product name (产品名称)	Dimensions (尺寸mm)		
		A	B	C
2	TJC3-H-2AS-750	2.50	7.50	6.00
3	TJC3-H-3AS-750	5.00	10.00	8.50
4	TJC3-H-4AS-750	7.50	12.50	11.00
5	TJC3-H-5AS-750	10.00	15.00	13.50
6	TJC3-H-6AS-750	12.50	17.50	16.00
7	TJC3-H-7AS-750	15.00	20.00	18.50
8	TJC3-H-8AS-750	17.50	22.50	21.00
9	TJC3-H-9AS-750	20.00	25.00	23.50
10	TJC3-H-10AS-750	22.50	27.50	26.00
11	TJC3-H-11AS-750	25.00	30.00	28.50
12	TJC3-H-12AS-750	27.50	32.50	31.00
13	TJC3-H-13AS-750	30.00	35.00	33.50
14	TJC3-H-14AS-750	32.50	37.50	36.00
15	TJC3-H-15AS-750	35.00	40.00	38.50
16	TJC3-H-16AS-750	37.50	42.50	41.00
17	TJC3-H-17AS-750	40.00	45.00	43.50
18	TJC3-H-18AS-750	42.50	47.50	46.00
19	TJC3-H-19AS-750	45.00	50.00	48.50
20	TJC3-H-20AS-750	47.50	52.50	51.00

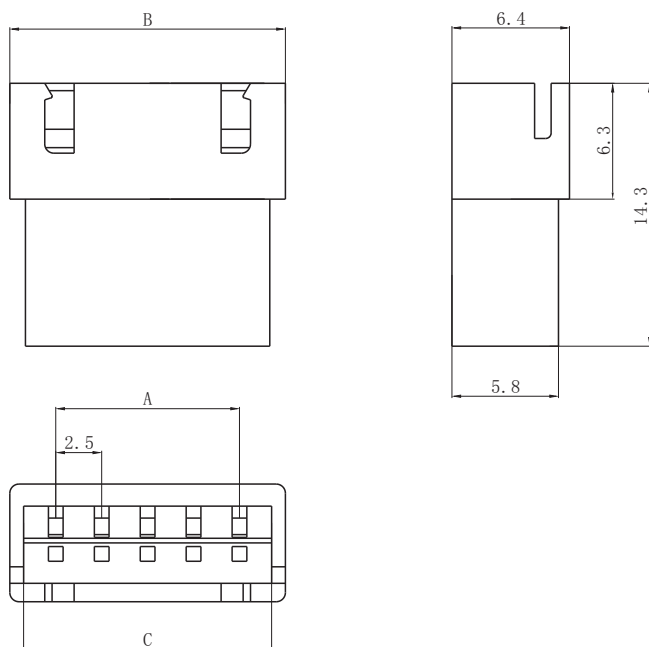
Material (材料)

Housing (胶壳): Nylon (尼龙) 750°C UL94V-0

Wafer (接触件): Brass (黄铜) / Tin plated (镀锡)

符合RoHS标准
RoHS compliance

DL25001-R (TJC3-R)



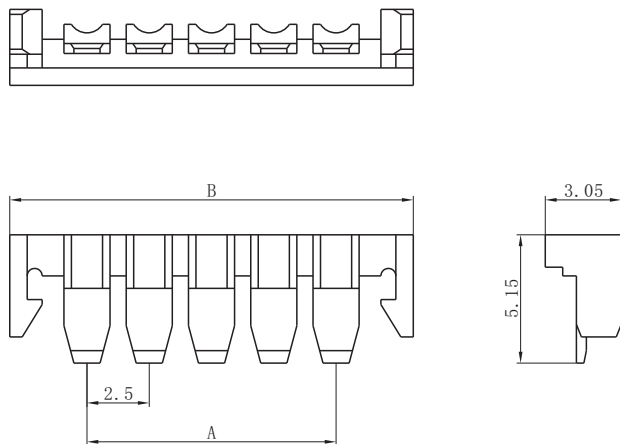
Circuits (电路)	Product name (产品名称)	Dimensions (尺寸mm)		
		A	B	C
2	TJC3-2R	2.50	7.50	6.00
3	TJC3-3R	5.00	10.00	8.50
4	TJC3-4R	7.50	12.50	11.00
5	TJC3-5R	10.00	15.00	13.50
6	TJC3-6R	12.50	17.50	16.00
7	TJC3-7R	15.00	20.00	18.50
8	TJC3-8R	17.50	22.50	21.00
9	TJC3-9R	20.00	25.00	23.50
10	TJC3-10R	22.50	27.50	26.00
11	TJC3-11R	25.00	30.00	28.50
12	TJC3-12R	27.50	32.50	31.00
13	TJC3-13R	30.00	35.00	33.50
14	TJC3-14R	32.50	37.50	36.00
15	TJC3-15R	35.00	40.00	38.50
16	TJC3-16R	37.50	42.50	41.00
17	TJC3-17R	40.00	45.00	43.50
18	TJC3-18R	42.50	47.50	46.00
19	TJC3-19R	45.00	50.00	48.50
20	TJC3-20R	47.50	52.50	51.00

Material (材料)

Housing (胶壳): Nylon (尼龙) UL94V-0 (2)

符合RoHS标准
RoHS compliance

DL25001-S (TJC3-S)



Circuits (电路)	Product name (产品名称)	Dimensions (尺寸mm)	
		A	B
2	TJC3-2S	2.50	8.70
3	TJC3-3S	5.00	11.20
4	TJC3-4S	7.50	13.70
5	TJC3-5S	10.00	16.20
6	TJC3-6S	12.50	18.70
7	TJC3-7S	15.00	21.20
8	TJC3-8S	17.50	23.70
9	TJC3-9S	20.00	26.20
10	TJC3-10S	22.50	28.70
11	TJC3-11S	25.00	31.20
12	TJC3-12S	27.50	33.70
13	TJC3-13S	30.00	36.20
14	TJC3-14S	32.50	38.70
15	TJC3-15S	35.00	41.20
16	TJC3-16S	37.50	43.70
17	TJC3-17S	40.00	46.20
18	TJC3-18S	42.50	48.70
19	TJC3-19S	45.00	51.20
20	TJC3-20S	47.50	53.70

Material (材料)

Housing (胶壳): Nylon (尼龙) UL94V-0 (2)

符合RoHS标准
RoHS compliance

X-ON Electronics

Largest Supplier of Electrical and Electronic Components

Click to view similar products for [Headers & Wire Housings](#) category:

Click to view products by [DLL](#) manufacturer:

Other Similar products are found below :

[0015917161](#) [0022155065](#) [57102-F02-18ULF](#) [58102-G61-06LF](#) [582553-1](#) [01.001.5753.1](#) [0050291907](#) [02.125.8002.8](#) [609-3404](#) [61062-3](#)
[CSU011177004](#) [622-0430](#) [622-3653LF](#) [63453-116](#) [636-1030](#) [636-1427](#) [636-3427](#) [636-4007](#) [641938-9](#) [65495-038](#) [65692-001LF](#) [65781-018](#)
[65781-047](#) [65817-010LF](#) [65817-015LF](#) [67095-007LF](#) [67601157](#) [68631-112](#) [68645-018](#) [699319-000](#) [70.362.1628.0](#) [70-4210](#) [70-4226B](#) [70-](#)
[4853B](#) [71.350.2428.0](#) [733-134](#) [733-162](#) [760-3052](#) [MHR-64-VUAL](#) [80.063.4001.1](#) [800-90-001-10-001000](#) [801-43-002-10-013000](#)
[801-43-006-10-002000](#) [803-43-024-10-001000](#) [803-93-012-10-001000](#) [8-1437020-4](#) [819-22-004-30-001101](#) [820-22-006-30-001101](#)
[820-22-008-30-001101](#) [821-22-002-10-001101](#)