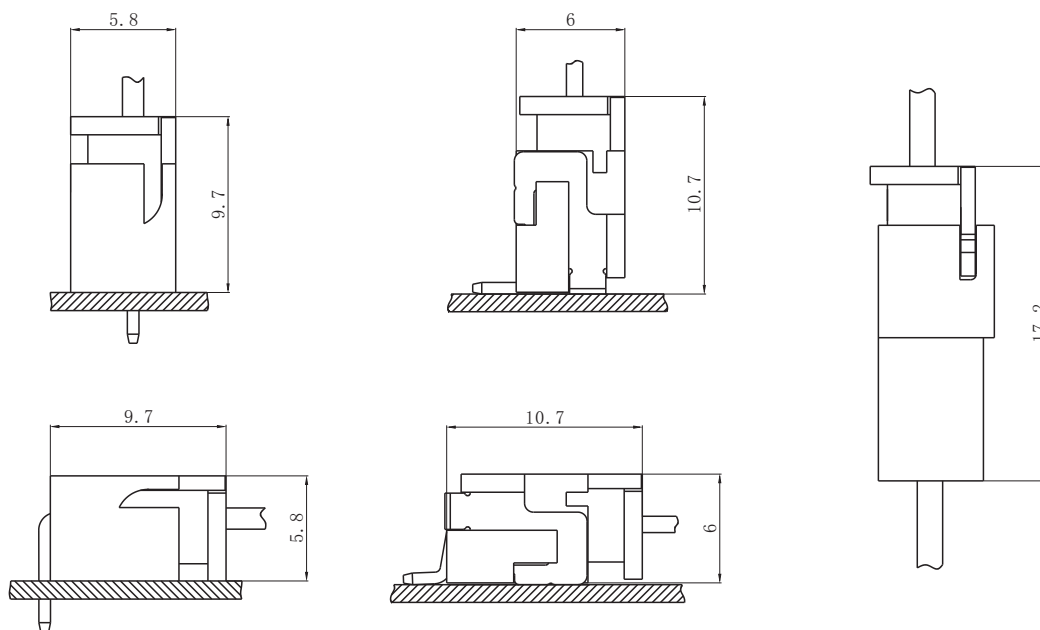


技术特性/Specifications:

额定电压 Rated voltage: 250V AC, DC
 额定电流 Rated current: 3A AC, DC
 接触电阻 Contact resistance: 20mΩ max
 绝缘电阻 Insulation resistance: 1000MΩ min
 耐压 Withstand voltage: 1000V AC/minute
 环境温度 Ambient temperature: -40℃~+105℃
 适用线规 Wire range: AWG#28~#20

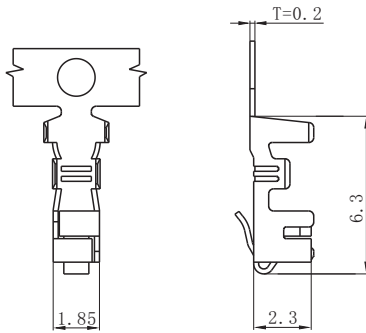
PC电路板布局和组件布局 PC board layout and Assembly layout

▣ Assembly layout (装配布局)

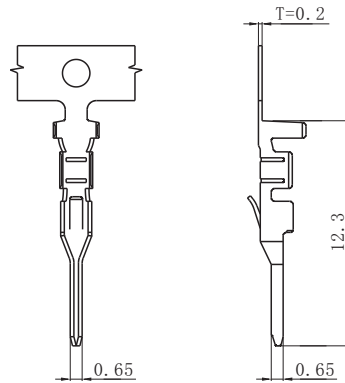


上图为连接器安装侧观察图
 Notes: The above figure is the figure viewed from the connector mounting side.

□ DL25001-T (TJC3-T)



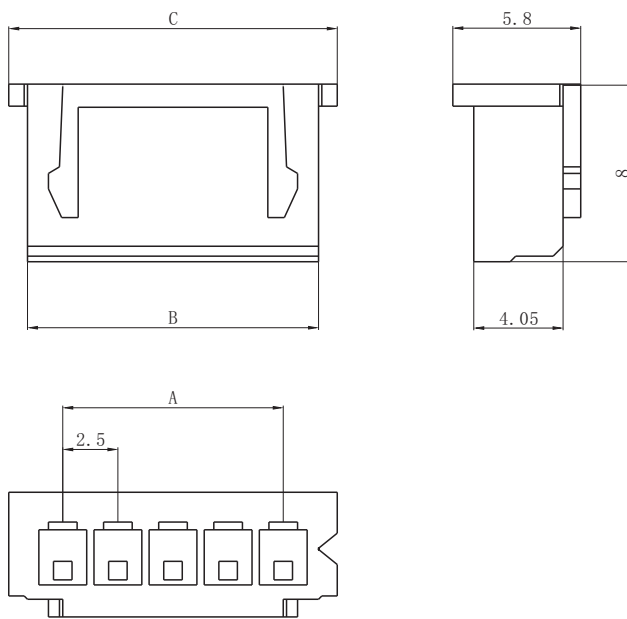
□ DL25001-RT (TJC3-RT)



| Model No. (型号) | Applicable wire (适用线规) | | | Material (材料) | Plating (电镀) | Qty/reel (数量/盘) |
|------------------------|------------------------|-------|--------------------------|-----------------------|-----------------|-----------------|
| | mm ² | AWG# | Insulation O.D. (绝缘外径mm) | | | |
| DL25001-T (TJC3-T) | 0.08~0.33 | 28~22 | φ 1.2~1.9 | Phosphor bronze (磷青铜) | Tin Plated (镀锡) | 7000 |
| DL25001-T-G (TJC3-T-G) | 0.20~0.52 | 24~20 | φ 1.4~2.5 | Phosphor bronze (磷青铜) | Tin Plated (镀锡) | 7000 |
| DL25001-RT (TJC3-RT) | 0.08~0.33 | 28~22 | φ 1.2~1.9 | Phosphor bronze (磷青铜) | Tin Plated (镀锡) | 7000 |

符合RoHS标准
RoHS compliance

□ DL25001-Y (TJC3-Y)



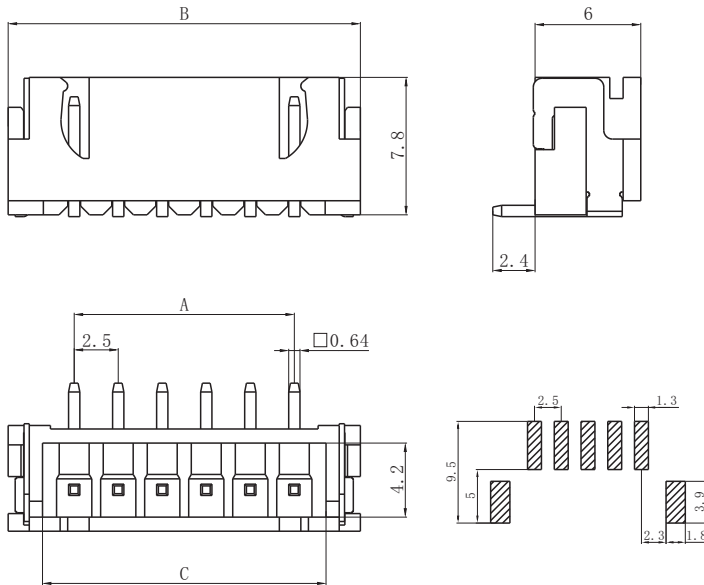
| Circuits (电路) | Product name (产品名称) | Dimensions (尺寸mm) | | |
|---------------|---------------------|-------------------|-------|-------|
| | | A | B | C |
| 2 | TJC3-2Y | 2.50 | 5.70 | 7.30 |
| 3 | TJC3-3Y | 5.00 | 8.20 | 9.80 |
| 4 | TJC3-4Y | 7.50 | 10.70 | 12.30 |
| 5 | TJC3-5Y | 10.00 | 13.20 | 14.80 |
| 6 | TJC3-6Y | 12.50 | 15.70 | 17.30 |
| 7 | TJC3-7Y | 15.00 | 18.20 | 19.80 |
| 8 | TJC3-8Y | 17.50 | 20.70 | 22.30 |
| 9 | TJC3-9Y | 20.00 | 23.20 | 24.80 |
| 10 | TJC3-10Y | 22.50 | 25.70 | 27.30 |
| 11 | TJC3-11Y | 25.00 | 28.20 | 29.80 |
| 12 | TJC3-12Y | 27.50 | 30.70 | 32.30 |
| 13 | TJC3-13Y | 30.00 | 33.20 | 34.80 |
| 14 | TJC3-14Y | 32.50 | 35.70 | 37.30 |
| 15 | TJC3-15Y | 35.00 | 38.20 | 39.80 |
| 16 | TJC3-16Y | 37.50 | 40.70 | 42.30 |
| 17 | TJC3-17Y | 40.00 | 43.20 | 44.80 |
| 18 | TJC3-18Y | 42.50 | 45.70 | 47.30 |
| 19 | TJC3-19Y | 45.00 | 48.20 | 49.80 |
| 20 | TJC3-20Y | 47.50 | 50.70 | 52.30 |

Material (材料)

Housing (胶壳): Nylon (尼龙) UL94V-0 (2)

符合RoHS标准
RoHS compliance

□ DL25001-AB (TJC3-AB)



| Circuits (电路) | Product name (产品名称) | Dimensions (尺寸mm) | | |
|------------------|------------------------|-------------------|-------|-------|
| | | A | B | C |
| 2 | TJC3-2AB | 2.50 | 10.00 | 5.95 |
| 3 | TJC3-3AB | 5.00 | 12.50 | 8.45 |
| 4 | TJC3-4AB | 7.50 | 15.00 | 10.95 |
| 5 | TJC3-5AB | 10.00 | 17.50 | 13.45 |
| 6 | TJC3-6AB | 12.50 | 20.00 | 15.95 |
| 7 | TJC3-7AB | 15.00 | 22.50 | 18.45 |
| 8 | TJC3-8AB | 17.50 | 25.00 | 20.95 |
| 9 | TJC3-9AB | 20.00 | 27.50 | 23.45 |
| 10 | TJC3-10AB | 22.50 | 30.00 | 25.95 |
| 11 | TJC3-11AB | 25.00 | 32.50 | 28.45 |
| 12 | TJC3-12AB | 27.50 | 35.00 | 30.95 |
| 13 | TJC3-13AB | 30.00 | 37.50 | 33.45 |
| 14 | TJC3-14AB | 32.50 | 40.00 | 35.95 |
| 15 | TJC3-15AB | 35.00 | 42.50 | 38.45 |
| 16 | TJC3-16AB | 37.50 | 45.00 | 40.95 |
| 17 | TJC3-17AB | 40.00 | 47.50 | 43.45 |
| 18 | TJC3-18AB | 42.50 | 50.00 | 45.95 |
| 19 | TJC3-19AB | 45.00 | 52.50 | 48.45 |
| 20 | TJC3-20AB | 47.50 | 55.00 | 50.95 |

Material (材料)

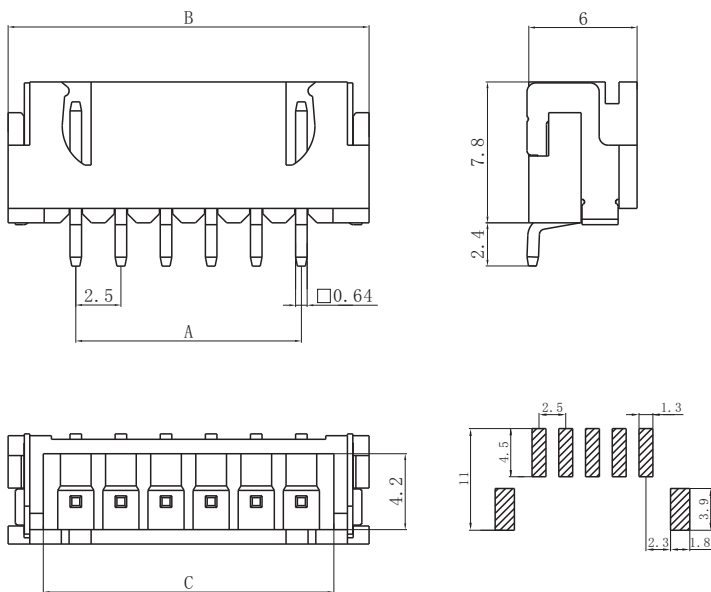
Housing (胶壳): LCP UL94V-0

Wafer (接触件): Brass (黄铜)/Tin plated (镀锡)

Solder tabs (焊片): Brass (黄铜)/Tin plated (镀锡)

符合RoHS标准
RoHS compliance

□ DL25001-AWB (TJC3-AWB)



| Circuits (电路) | Product name (产品名称) | Dimensions (尺寸mm) | | |
|------------------|------------------------|-------------------|-------|-------|
| | | A | B | C |
| 2 | TJC3-2AWB | 2.50 | 10.00 | 5.95 |
| 3 | TJC3-3AWB | 5.00 | 12.50 | 8.45 |
| 4 | TJC3-4AWB | 7.50 | 15.00 | 10.95 |
| 5 | TJC3-5AWB | 10.00 | 17.50 | 13.45 |
| 6 | TJC3-6AWB | 12.50 | 20.00 | 15.95 |
| 7 | TJC3-7AWB | 15.00 | 22.50 | 18.45 |
| 8 | TJC3-8AWB | 17.50 | 25.00 | 20.95 |
| 9 | TJC3-9AWB | 20.00 | 27.50 | 23.45 |
| 10 | TJC3-10AWB | 22.50 | 30.00 | 25.95 |
| 11 | TJC3-11AWB | 25.00 | 32.50 | 28.45 |
| 12 | TJC3-12AWB | 27.50 | 35.00 | 30.95 |
| 13 | TJC3-13AWB | 30.00 | 37.50 | 33.45 |
| 14 | TJC3-14AWB | 32.50 | 40.00 | 35.95 |
| 15 | TJC3-15AWB | 35.00 | 42.50 | 38.45 |
| 16 | TJC3-16AWB | 37.50 | 45.00 | 40.95 |
| 17 | TJC3-17AWB | 40.00 | 47.50 | 43.45 |
| 18 | TJC3-18AWB | 42.50 | 50.00 | 45.95 |
| 19 | TJC3-19AWB | 45.00 | 52.50 | 48.45 |
| 20 | TJC3-20AWB | 47.50 | 55.00 | 50.95 |

Material (材料)

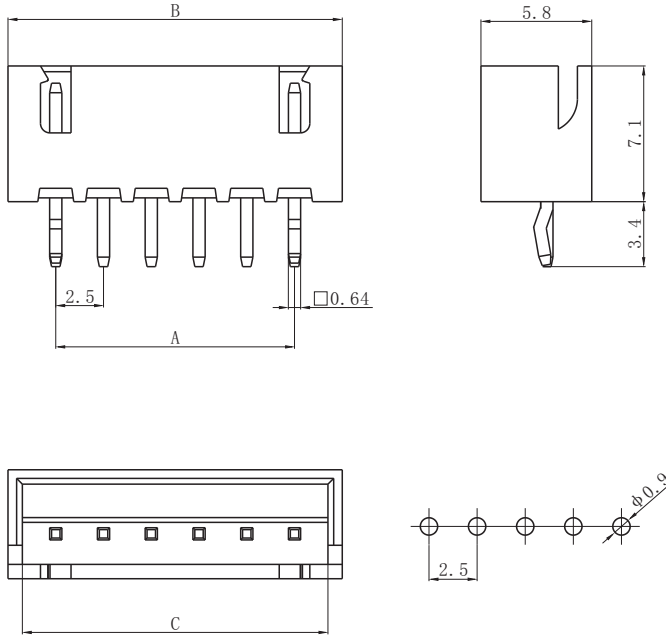
Housing (胶壳): LCP UL94-V0

Wafer (接触件): Brass (黄铜)/Tin plated (镀锡)

Solder tabs (焊片): Brass (黄铜)/Tin plated (镀锡)

符合RoHS标准
RoHS compliance

□ DL25001-A-K (TJC3-A-K)



| Circuits (电路) | Product name (产品名称) | Dimensions (尺寸mm) | | |
|------------------|------------------------|-------------------|-------|-------|
| | | A | B | C |
| 2 | TJC3-2A-K | 2.50 | 7.50 | 6.00 |
| 3 | TJC3-3A-K | 5.00 | 10.00 | 8.50 |
| 4 | TJC3-4A-K | 7.50 | 12.50 | 11.00 |
| 5 | TJC3-5A-K | 10.00 | 15.00 | 13.50 |
| 6 | TJC3-6A-K | 12.50 | 17.50 | 16.00 |
| 7 | TJC3-7A-K | 15.00 | 20.00 | 18.50 |
| 8 | TJC3-8A-K | 17.50 | 22.50 | 21.00 |
| 9 | TJC3-9A-K | 20.00 | 25.00 | 23.50 |
| 10 | TJC3-10A-K | 22.50 | 27.50 | 26.00 |
| 11 | TJC3-11A-K | 25.00 | 30.00 | 28.50 |
| 12 | TJC3-12A-K | 27.50 | 32.50 | 31.00 |
| 13 | TJC3-13A-K | 30.00 | 35.00 | 33.50 |
| 14 | TJC3-14A-K | 32.50 | 37.50 | 36.00 |
| 15 | TJC3-15A-K | 35.00 | 40.00 | 38.50 |
| 16 | TJC3-16A-K | 37.50 | 42.50 | 41.00 |
| 17 | TJC3-17A-K | 40.00 | 45.00 | 43.50 |
| 18 | TJC3-18A-K | 42.50 | 47.50 | 46.00 |
| 19 | TJC3-19A-K | 45.00 | 50.00 | 48.50 |
| 20 | TJC3-20A-K | 47.50 | 52.50 | 51.00 |

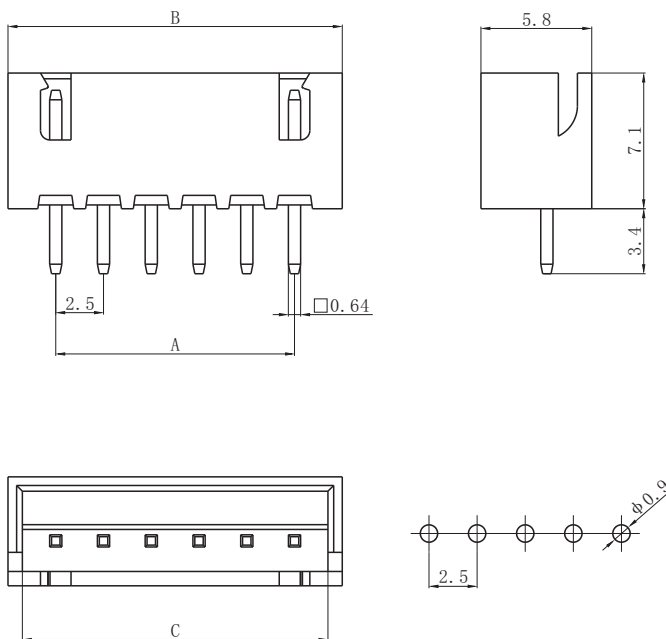
Material (材料)

Housing (胶壳): Nylon (尼龙) UL94V-0 (2)

Wafer (接触件): Brass (黄铜) / Tin plated (镀锡)

符合RoHS标准
RoHS compliance

□ DL25001-A-Z (TJC3-A-Z)



| Circuits (电路) | Product name (产品名称) | Dimensions (尺寸mm) | | |
|------------------|------------------------|-------------------|-------|-------|
| | | A | B | C |
| 2 | TJC3-2A-Z | 2.50 | 7.50 | 6.00 |
| 3 | TJC3-3A-Z | 5.00 | 10.00 | 8.50 |
| 4 | TJC3-4A-Z | 7.50 | 12.50 | 11.00 |
| 5 | TJC3-5A-Z | 10.00 | 15.00 | 13.50 |
| 6 | TJC3-6A-Z | 12.50 | 17.50 | 16.00 |
| 7 | TJC3-7A-Z | 15.00 | 20.00 | 18.50 |
| 8 | TJC3-8A-Z | 17.50 | 22.50 | 21.00 |
| 9 | TJC3-9A-Z | 20.00 | 25.00 | 23.50 |
| 10 | TJC3-10A-Z | 22.50 | 27.50 | 26.00 |
| 11 | TJC3-11A-Z | 25.00 | 30.00 | 28.50 |
| 12 | TJC3-12A-Z | 27.50 | 32.50 | 31.00 |
| 13 | TJC3-13A-Z | 30.00 | 35.00 | 33.50 |
| 14 | TJC3-14A-Z | 32.50 | 37.50 | 36.00 |
| 15 | TJC3-15A-Z | 35.00 | 40.00 | 38.50 |
| 16 | TJC3-16A-Z | 37.50 | 42.50 | 41.00 |
| 17 | TJC3-17A-Z | 40.00 | 45.00 | 43.50 |
| 18 | TJC3-18A-Z | 42.50 | 47.50 | 46.00 |
| 19 | TJC3-19A-Z | 45.00 | 50.00 | 48.50 |
| 20 | TJC3-20A-Z | 47.50 | 52.50 | 51.00 |

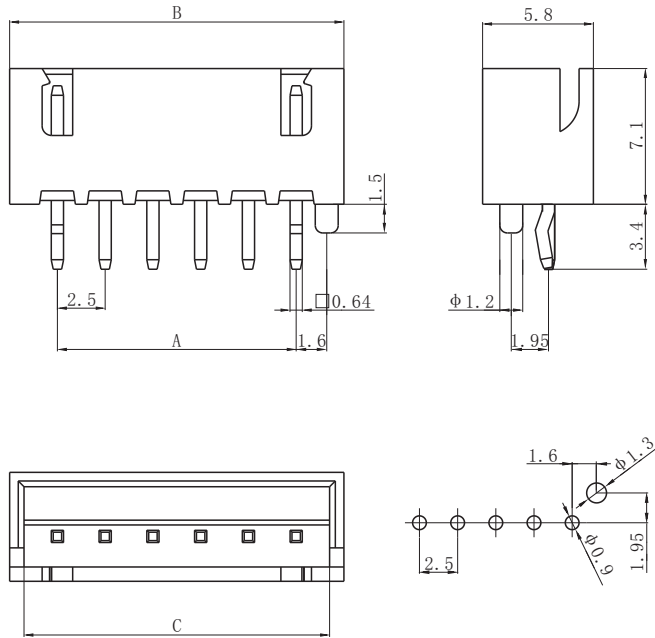
Material (材料)

Housing (胶壳): Nylon (尼龙) UL94V-0 (2)

Wafer (接触件): Brass (黄铜) / Tin plated (镀锡)

符合RoHS标准
RoHS compliance

□ DL25001-AS-K (TJC3-AS-K)



| Circuits (电路) | Product name (产品名称) | Dimensions (尺寸mm) | | |
|------------------|------------------------|-------------------|-------|-------|
| | | A | B | C |
| 2 | TJC3-2AS-K | 2.50 | 7.50 | 6.00 |
| 3 | TJC3-3AS-K | 5.00 | 10.00 | 8.50 |
| 4 | TJC3-4AS-K | 7.50 | 12.50 | 11.00 |
| 5 | TJC3-5AS-K | 10.00 | 15.00 | 13.50 |
| 6 | TJC3-6AS-K | 12.50 | 17.50 | 16.00 |
| 7 | TJC3-7AS-K | 15.00 | 20.00 | 18.50 |
| 8 | TJC3-8AS-K | 17.50 | 22.50 | 21.00 |
| 9 | TJC3-9AS-K | 20.00 | 25.00 | 23.50 |
| 10 | TJC3-10AS-K | 22.50 | 27.50 | 26.00 |
| 11 | TJC3-11AS-K | 25.00 | 30.00 | 28.50 |
| 12 | TJC3-12AS-K | 27.50 | 32.50 | 31.00 |
| 13 | TJC3-13AS-K | 30.00 | 35.00 | 33.50 |
| 14 | TJC3-14AS-K | 32.50 | 37.50 | 36.00 |
| 15 | TJC3-15AS-K | 35.00 | 40.00 | 38.50 |
| 16 | TJC3-16AS-K | 37.50 | 42.50 | 41.00 |
| 17 | TJC3-17AS-K | 40.00 | 45.00 | 43.50 |
| 18 | TJC3-18AS-K | 42.50 | 47.50 | 46.00 |
| 19 | TJC3-19AS-K | 45.00 | 50.00 | 48.50 |
| 20 | TJC3-20AS-K | 47.50 | 52.50 | 51.00 |

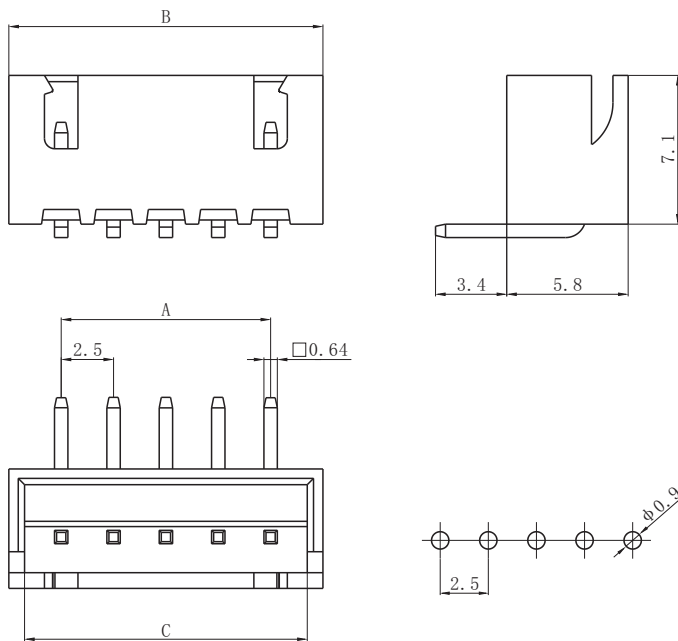
Material (材料)

Housing (胶壳): Nylon (尼龙) UL94V-0 (2)

Wafer (接触件): Brass (黄铜) / Tin plated (镀锡)

符合RoHS标准
RoHS compliance

□ DL25001-AW-Z (TJC3-AW-Z)



| Circuits (电路) | Product name (产品名称) | Dimensions (尺寸mm) | | |
|------------------|------------------------|-------------------|-------|-------|
| | | A | B | C |
| 2 | TJC3-2AW-Z | 2.50 | 7.50 | 6.00 |
| 3 | TJC3-3AW-Z | 5.00 | 10.00 | 8.50 |
| 4 | TJC3-4AW-Z | 7.50 | 12.50 | 11.00 |
| 5 | TJC3-5AW-Z | 10.00 | 15.00 | 13.50 |
| 6 | TJC3-6AW-Z | 12.50 | 17.50 | 16.00 |
| 7 | TJC3-7AW-Z | 15.00 | 20.00 | 18.50 |
| 8 | TJC3-8AW-Z | 17.50 | 22.50 | 21.00 |
| 9 | TJC3-9AW-Z | 20.00 | 25.00 | 23.50 |
| 10 | TJC3-10AW-Z | 22.50 | 27.50 | 26.00 |
| 11 | TJC3-11AW-Z | 25.00 | 30.00 | 28.50 |
| 12 | TJC3-12AW-Z | 27.50 | 32.50 | 31.00 |
| 13 | TJC3-13AW-Z | 30.00 | 35.00 | 33.50 |
| 14 | TJC3-14AW-Z | 32.50 | 37.50 | 36.00 |
| 15 | TJC3-15AW-Z | 35.00 | 40.00 | 38.50 |
| 16 | TJC3-16AW-Z | 37.50 | 42.50 | 41.00 |
| 17 | TJC3-17AW-Z | 40.00 | 45.00 | 43.50 |
| 18 | TJC3-18AW-Z | 42.50 | 47.50 | 46.00 |
| 19 | TJC3-19AW-Z | 45.00 | 50.00 | 48.50 |
| 20 | TJC3-20AW-Z | 47.50 | 52.50 | 51.00 |

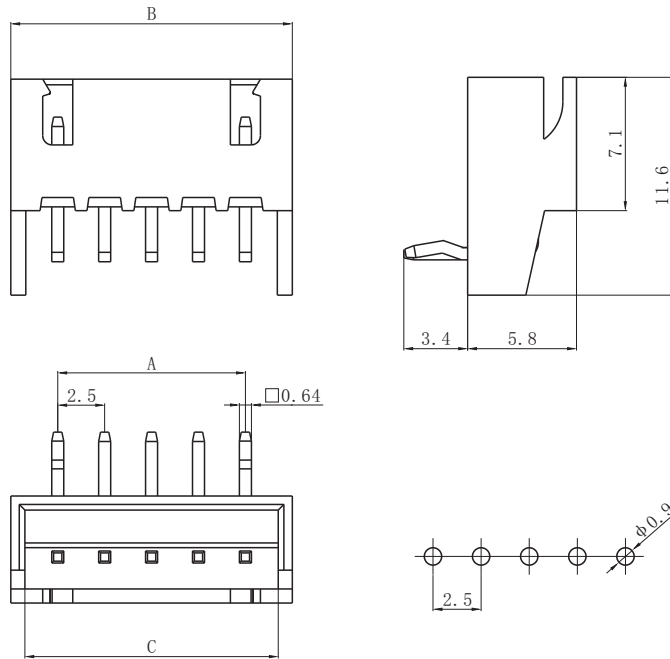
Material (材料)

Housing (胶壳): Nylon (尼龙) UL94V-0 (2)

Wafer (接触件): Brass (黄铜) / Tin plated (镀锡)

符合RoHS标准
RoHS compliance

□ DL25001-AWF-K (TJC3-AWF-K)



| Circuits (电路) | Product name (产品名称) | Dimensions (尺寸mm) | | |
|------------------|------------------------|-------------------|-------|-------|
| | | A | B | C |
| 2 | TJC3-2AWF-K | 2.50 | 7.50 | 6.00 |
| 3 | TJC3-3AWF-K | 5.00 | 10.00 | 8.50 |
| 4 | TJC3-4AWF-K | 7.50 | 12.50 | 11.00 |
| 5 | TJC3-5AWF-K | 10.00 | 15.00 | 13.50 |
| 6 | TJC3-6AWF-K | 12.50 | 17.50 | 16.00 |
| 7 | TJC3-7AWF-K | 15.00 | 20.00 | 18.50 |
| 8 | TJC3-8AWF-K | 17.50 | 22.50 | 21.00 |
| 9 | TJC3-9AWF-K | 20.00 | 25.00 | 23.50 |
| 10 | TJC3-10AWF-K | 22.50 | 27.50 | 26.00 |
| 11 | TJC3-11AWF-K | 25.00 | 30.00 | 28.50 |
| 12 | TJC3-12AWF-K | 27.50 | 32.50 | 31.00 |
| 13 | TJC3-13AWF-K | 30.00 | 35.00 | 33.50 |
| 14 | TJC3-14AWF-K | 32.50 | 37.50 | 36.00 |
| 15 | TJC3-15AWF-K | 35.00 | 40.00 | 38.50 |
| 16 | TJC3-16AWF-K | 37.50 | 42.50 | 41.00 |
| 17 | TJC3-17AWF-K | 40.00 | 45.00 | 43.50 |
| 18 | TJC3-18AWF-K | 42.50 | 47.50 | 46.00 |
| 19 | TJC3-19AWF-K | 45.00 | 50.00 | 48.50 |
| 20 | TJC3-20AWF-K | 47.50 | 52.50 | 51.00 |

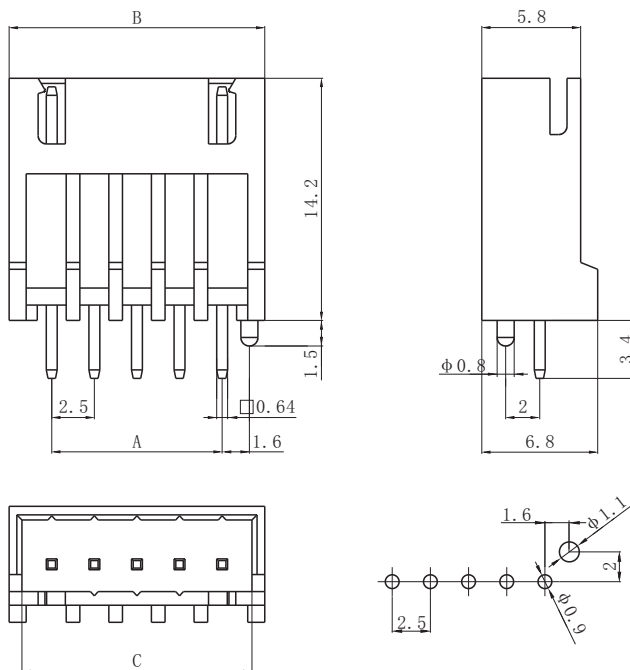
Material (材料)

Housing (胶壳): Nylon (尼龙) UL94V-0 (2)

Wafer (接触件): Brass (黄铜) / Tin plated (镀锡)

符合RoHS标准
RoHS compliance

□ DL25036-AS-750 (TJC3-H-AS-750)



| Circuits (电路) | Product name (产品名称) | Dimensions (尺寸mm) | | |
|------------------|------------------------|-------------------|-------|-------|
| | | A | B | C |
| 2 | TJC3-H-2AS-750 | 2.50 | 7.50 | 6.00 |
| 3 | TJC3-H-3AS-750 | 5.00 | 10.00 | 8.50 |
| 4 | TJC3-H-4AS-750 | 7.50 | 12.50 | 11.00 |
| 5 | TJC3-H-5AS-750 | 10.00 | 15.00 | 13.50 |
| 6 | TJC3-H-6AS-750 | 12.50 | 17.50 | 16.00 |
| 7 | TJC3-H-7AS-750 | 15.00 | 20.00 | 18.50 |
| 8 | TJC3-H-8AS-750 | 17.50 | 22.50 | 21.00 |
| 9 | TJC3-H-9AS-750 | 20.00 | 25.00 | 23.50 |
| 10 | TJC3-H-10AS-750 | 22.50 | 27.50 | 26.00 |
| 11 | TJC3-H-11AS-750 | 25.00 | 30.00 | 28.50 |
| 12 | TJC3-H-12AS-750 | 27.50 | 32.50 | 31.00 |
| 13 | TJC3-H-13AS-750 | 30.00 | 35.00 | 33.50 |
| 14 | TJC3-H-14AS-750 | 32.50 | 37.50 | 36.00 |
| 15 | TJC3-H-15AS-750 | 35.00 | 40.00 | 38.50 |
| 16 | TJC3-H-16AS-750 | 37.50 | 42.50 | 41.00 |
| 17 | TJC3-H-17AS-750 | 40.00 | 45.00 | 43.50 |
| 18 | TJC3-H-18AS-750 | 42.50 | 47.50 | 46.00 |
| 19 | TJC3-H-19AS-750 | 45.00 | 50.00 | 48.50 |
| 20 | TJC3-H-20AS-750 | 47.50 | 52.50 | 51.00 |

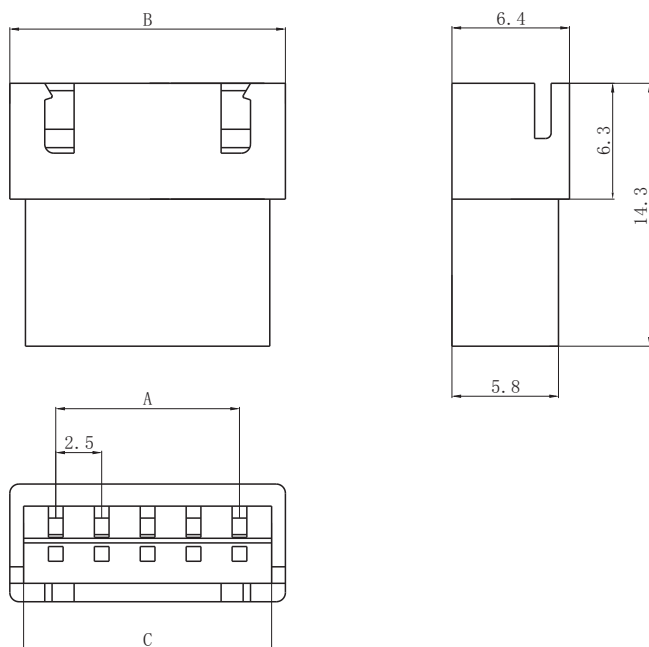
Material (材料)

Housing (胶壳): Nylon (尼龙) 750°C UL94V-0

Wafer (接触件): Brass (黄铜) / Tin plated (镀锡)

符合RoHS标准
RoHS compliance

DL25001-R (TJC3-R)



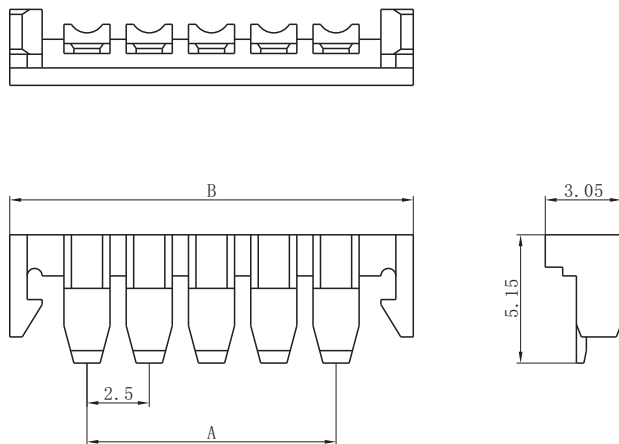
| Circuits (电路) | Product name (产品名称) | Dimensions (尺寸mm) | | |
|------------------|------------------------|-------------------|-------|-------|
| | | A | B | C |
| 2 | TJC3-2R | 2.50 | 7.50 | 6.00 |
| 3 | TJC3-3R | 5.00 | 10.00 | 8.50 |
| 4 | TJC3-4R | 7.50 | 12.50 | 11.00 |
| 5 | TJC3-5R | 10.00 | 15.00 | 13.50 |
| 6 | TJC3-6R | 12.50 | 17.50 | 16.00 |
| 7 | TJC3-7R | 15.00 | 20.00 | 18.50 |
| 8 | TJC3-8R | 17.50 | 22.50 | 21.00 |
| 9 | TJC3-9R | 20.00 | 25.00 | 23.50 |
| 10 | TJC3-10R | 22.50 | 27.50 | 26.00 |
| 11 | TJC3-11R | 25.00 | 30.00 | 28.50 |
| 12 | TJC3-12R | 27.50 | 32.50 | 31.00 |
| 13 | TJC3-13R | 30.00 | 35.00 | 33.50 |
| 14 | TJC3-14R | 32.50 | 37.50 | 36.00 |
| 15 | TJC3-15R | 35.00 | 40.00 | 38.50 |
| 16 | TJC3-16R | 37.50 | 42.50 | 41.00 |
| 17 | TJC3-17R | 40.00 | 45.00 | 43.50 |
| 18 | TJC3-18R | 42.50 | 47.50 | 46.00 |
| 19 | TJC3-19R | 45.00 | 50.00 | 48.50 |
| 20 | TJC3-20R | 47.50 | 52.50 | 51.00 |

Material (材料)

Housing (胶壳): Nylon (尼龙) UL94V-0 (2)

符合RoHS标准
RoHS compliance

DL25001-S (TJC3-S)



| Circuits (电路) | Product name (产品名称) | Dimensions (尺寸mm) | |
|------------------|------------------------|-------------------|-------|
| | | A | B |
| 2 | TJC3-2S | 2.50 | 8.70 |
| 3 | TJC3-3S | 5.00 | 11.20 |
| 4 | TJC3-4S | 7.50 | 13.70 |
| 5 | TJC3-5S | 10.00 | 16.20 |
| 6 | TJC3-6S | 12.50 | 18.70 |
| 7 | TJC3-7S | 15.00 | 21.20 |
| 8 | TJC3-8S | 17.50 | 23.70 |
| 9 | TJC3-9S | 20.00 | 26.20 |
| 10 | TJC3-10S | 22.50 | 28.70 |
| 11 | TJC3-11S | 25.00 | 31.20 |
| 12 | TJC3-12S | 27.50 | 33.70 |
| 13 | TJC3-13S | 30.00 | 36.20 |
| 14 | TJC3-14S | 32.50 | 38.70 |
| 15 | TJC3-15S | 35.00 | 41.20 |
| 16 | TJC3-16S | 37.50 | 43.70 |
| 17 | TJC3-17S | 40.00 | 46.20 |
| 18 | TJC3-18S | 42.50 | 48.70 |
| 19 | TJC3-19S | 45.00 | 51.20 |
| 20 | TJC3-20S | 47.50 | 53.70 |

Material (材料)

Housing (胶壳): Nylon (尼龙) UL94V-0 (2)

符合RoHS标准
RoHS compliance

X-ON Electronics

Largest Supplier of Electrical and Electronic Components

Click to view similar products for [Headers & Wire Housings](#) category:

Click to view products by [DLL](#) manufacturer:

Other Similar products are found below :

[0015917161](#) [0022155065](#) [57102-F02-18ULF](#) [58102-G61-06LF](#) [582553-1](#) [01.001.5753.1](#) [0050291907](#) [02.125.8002.8](#) [609-3404](#) [61062-3](#)
[CSU011177004](#) [622-0430](#) [622-3653LF](#) [63453-116](#) [636-1030](#) [636-1427](#) [636-3427](#) [636-4007](#) [641938-9](#) [65495-038](#) [65692-001LF](#) [65781-018](#)
[65781-047](#) [65817-010LF](#) [65817-015LF](#) [67095-007LF](#) [67601157](#) [68631-112](#) [68645-018](#) [699319-000](#) [70.362.1628.0](#) [70-4210](#) [70-4226B](#) [70-](#)
[4853B](#) [71.350.2428.0](#) [733-134](#) [733-162](#) [760-3052](#) [MHR-64-VUAL](#) [80.063.4001.1](#) [800-90-001-10-001000](#) [801-43-002-10-013000](#)
[801-43-006-10-002000](#) [803-43-024-10-001000](#) [803-93-012-10-001000](#) [8-1437020-4](#) [819-22-004-30-001101](#) [820-22-006-30-001101](#)
[820-22-008-30-001101](#) [821-22-002-10-001101](#)