

**技术特性/Specifications:**

额定电压 Rated voltage: 250V AC, DC  
额定电流 Rated current: 7A AC, DC  
接触电阻 Contact resistance: 20m $\Omega$  max  
绝缘电阻 Insulation resistance: 1000M $\Omega$  min  
耐压 Withstand voltage: 1500V AC/minute  
环境温度 Ambient temperature: -40 $^{\circ}$ C~+105 $^{\circ}$ C  
适用线规 Wire range: AWG#22~#16

|      |                      |      |      |
|------|----------------------|------|------|
| REV. | REVISION DESCRIPTION | DATE | APPD |
|      |                      |      |      |



# NOTES

Available in 02 through 15 Circuits.  
 Mates with DL39602-Y Series Housing.  
 Material : LCP UL94V-0.  
 Pin Material : Brass.Tin-plated .



| Circuits | Product name | Dimension mm |       | Circuits | Product name | Dimension mm |       |
|----------|--------------|--------------|-------|----------|--------------|--------------|-------|
|          |              | A            | B     |          |              | A            | B     |
| 2        | VH-2AB       | 3.96         | 11.88 | 9        | VH-9AB       | 31.68        | 39.60 |
| 3        | VH-3AB       | 7.92         | 15.84 | 10       | VH-10AB      | 35.64        | 43.56 |
| 4        | VH-4AB       | 11.88        | 19.80 | 11       | VH-11AB      | 39.60        | 47.52 |
| 5        | VH-5AB       | 15.84        | 23.76 | 12       | VH-12AB      | 43.56        | 51.48 |
| 6        | VH-6AB       | 19.80        | 27.72 | 13       | VH-13AB      | 47.52        | 55.44 |
| 7        | VH-7AB       | 23.76        | 31.68 | 14       | VH-14AB      | 51.48        | 59.40 |
| 8        | VH-8AB       | 27.72        | 35.64 | 15       | VH-15AB      | 55.44        | 63.36 |

|    |    |     |     |    |         |
|----|----|-----|-----|----|---------|
| 3  | ③  | 基座  | LCP | 1  | UL94V-0 |
| 2  | ②  | 焊片  | 黄铜  | 2  | 镀锡      |
| 1  | ①  | 接触件 | 黄铜  | N* | 镀锡      |
| 序号 | 图号 | 名称  | 材料  | 数量 | 附件      |

|                                       |              |   |                |   |           |
|---------------------------------------|--------------|---|----------------|---|-----------|
| GENERAL TOLERANCES (UNLESS SPECIFIED) |              | ZHE JIANG DELI CONNECTORS CO., LTD      |                |   |           |
| .X: ± 0.25                            | X°: ± 3.0°   | PRODUCT NAME:<br><b>DL39602 (VH)-AB</b> |                | TITLE: 3.96 mm Pitch<br>Wire To Board SMT Wafer |           |
| .XX: ± 0.15                           | .X°: ± 2.0°  | DR: Yuan Jun Rong                       | DATE: 21/06/07 | PART NO:  |           |
| .XXX: ± 0.01                          | .XX°: ± 1.0° | CHKD: Wu Hui                            | DATE: 21/06/07 | SCALE: N/A                                      | PAGE: 1/1 |
| DRAWING NO:                           |              | APPD: Ren An De                         | DATE: 21/06/07 | UNITS: mm                                       | REV.: A   |

|      |                      |      |      |
|------|----------------------|------|------|
| REV. | REVISION DESCRIPTION | DATE | APPD |
|      |                      |      |      |



# NOTES

Available in 02 through 15 Circuits.  
Mates with DL39602-Y Series Housing.  
Material : LCP UL94V-0.  
Pin Material : Brass.Tin-plated .



| Circuits | Product name | Dimension mm |       | Circuits | Product name | Dimension mm |       |
|----------|--------------|--------------|-------|----------|--------------|--------------|-------|
|          |              | A            | B     |          |              | A            | B     |
| 2        | VH-2AWB      | 3.96         | 11.88 | 9        | VH-9AWB      | 31.68        | 39.60 |
| 3        | VH-3AWB      | 7.92         | 15.84 | 10       | VH-10AWB     | 35.64        | 43.56 |
| 4        | VH-4AWB      | 11.88        | 19.80 | 11       | VH-11AWB     | 39.60        | 47.52 |
| 5        | VH-5AWB      | 15.84        | 23.76 | 12       | VH-12AWB     | 43.56        | 51.48 |
| 6        | VH-6AWB      | 19.80        | 27.72 | 13       | VH-13AWB     | 47.52        | 55.44 |
| 7        | VH-7AWB      | 23.76        | 31.68 | 14       | VH-14AWB     | 51.48        | 59.40 |
| 8        | VH-8AWB      | 27.72        | 35.64 | 15       | VH-15AWB     | 55.44        | 63.36 |

|    |    |     |     |    |         |
|----|----|-----|-----|----|---------|
| 3  | ③  | 基座  | LCP | 1  | UL94V-0 |
| 2  | ②  | 焊片  | 黄铜  | 2  | 镀锡      |
| 1  | ①  | 接触件 | 黄铜  | N* | 镀锡      |
| 序号 | 图号 | 名称  | 材料  | 数量 | 附件      |

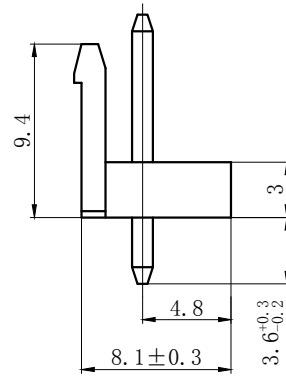
|                                       |              |                                    |                |  |           |
|---------------------------------------|--------------|------------------------------------|----------------|--|-----------|
| GENERAL TOLERANCES (UNLESS SPECIFIED) |              | ZHE JIANG DELI CONNECTORS CO., LTD |                |  |           |
| .X: ± 0.25                            | X°: ± 3.0°   | PRODUCT NAME:<br>DL39602 (VH)-AWB  |                | TITLE: 3.96 mm Pitch Wire To Board SMT Wafer |           |
| .XX: ± 0.15                           | .X°: ± 2.0°  | DR: Yuan Jun Rong                  | DATE: 21/06/07 | PART NO:                                     |           |
| .XXX: ± 0.01                          | .XX°: ± 1.0° | CHKD: Wu Hui                       | DATE: 21/06/07 | SCALE: N/A                                   | PAGE: 1/1 |
| DRAWING NO:                           |              | APPD: Ren An De                    | DATE: 21/06/07 | UNITS: mm                                    | REV.: A   |

|      |                      |         |      |
|------|----------------------|---------|------|
| REV. | REVISION DESCRIPTION | DATE    | APPD |
| B    | 调整尺寸公差               | 20.8.28 |      |



### NOTES

Available in 02 through 15 Circuits.  
 Mates with DL39602-Y Series Housing.  
 Material : Nylon UL94V-0 (2) .  
 1.14mm Square Pin.  
 Pin Material : Brass / Tin-Plated.



PCB LAYOUT

| Circuits | PRODUCT NAME | Dimension mm |       |
|----------|--------------|--------------|-------|
|          |              | A            | B     |
| 02       | VH-2A        | 3.96         | 7.92  |
| 03       | VH-3A        | 7.92         | 11.88 |
| 04       | VH-4A        | 11.88        | 15.84 |
| 05       | VH-5A        | 15.84        | 19.80 |
| 06       | VH-6A        | 19.80        | 23.76 |
| 07       | VH-7A        | 23.76        | 27.72 |
| 08       | VH-8A        | 27.72        | 31.68 |
| 09       | VH-9A        | 31.68        | 35.64 |
| 10       | VH-10A       | 35.64        | 39.60 |
| 11       | VH-11A       | 39.60        | 43.56 |
| 12       | VH-12A       | 43.56        | 47.52 |
| 13       | VH-13A       | 47.52        | 51.48 |
| 14       | VH-14A       | 51.48        | 55.44 |
| 15       | VH-15A       | 55.44        | 59.40 |

|  |              |  |   |
|--|--------------|--|---|
| GENERAL TOLERANCES<br>(UNLESS SPECIFIED) |              | ZHE JIANG DELI CONNECTORS CO., LTD     |   |
| .X: ± 0.25                               | X°: ± 3.0°   | PRODUCT NAME:<br><b>DL39602 (VH)-A</b> | TITLE: 3.96 mm pitch WTB<br>Connector Housing |
| .XX: ± 0.15                              | .X°: ± 2.0°  | DR: Yuan Jun Rong                      | DATE: 21.10.10                                |
| .XXX: ± 0.01                             | .XX°: ± 1.0° | DATE: 21.10.10                         | PART NO:                                      |
| FINISH:                                  |              | CHKD: Wu Hui                           | DATE: 21.10.10                                |
| DRAWING NO:                              |              | APPD: Ren An De                        | DATE: 21.10.10                                |
|  |              | SCALE: N/A                             | PAGE: 1/1                                     |
|  |              | UNITS: mm                              | REV.: B                                       |

| REV. | REVISION DESCRIPTION | DATE    | APPD |
|------|----------------------|---------|------|
| B    | 调整尺寸公差               | 20.8.28 |      |

### NOTES

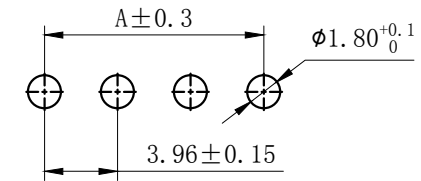
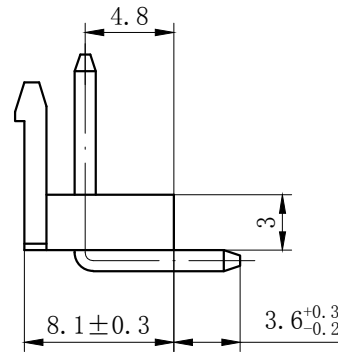
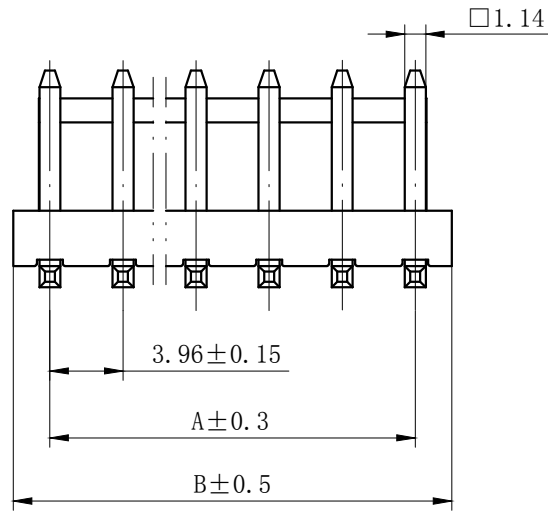
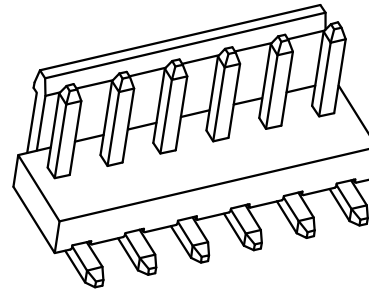
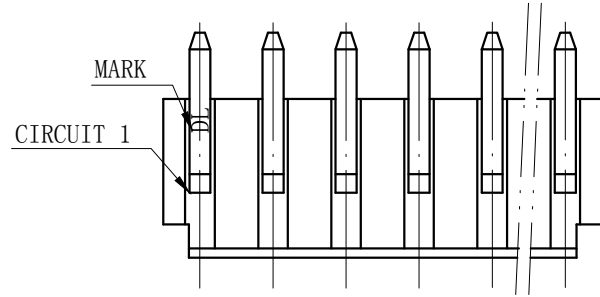
Available in 02 through 15 Circuits.

Mates with DL39602-Y Series Housing.

Material : Nylon UL94V-0(2).

1.14mm Square Pin.

Pin Material : Brass / Tin-Plated.



PCB LAYOUT

| Circuits | PRODUCT NAME | Dimension mm |       |
|----------|--------------|--------------|-------|
|          |              | A            | B     |
| 02       | VH-2AW       | 3.96         | 7.92  |
| 03       | VH-3AW       | 7.92         | 11.88 |
| 04       | VH-4AW       | 11.88        | 15.84 |
| 05       | VH-5AW       | 15.84        | 19.80 |
| 06       | VH-6AW       | 19.80        | 23.76 |
| 07       | VH-7AW       | 23.76        | 27.72 |
| 08       | VH-8AW       | 27.72        | 31.68 |
| 09       | VH-9AW       | 31.68        | 35.64 |
| 10       | VH-10AW      | 35.64        | 39.60 |
| 11       | VH-11AW      | 39.60        | 43.56 |
| 12       | VH-12AW      | 43.56        | 47.52 |
| 13       | VH-13AW      | 47.52        | 51.48 |
| 14       | VH-14AW      | 51.48        | 55.44 |
| 15       | VH-15AW      | 55.44        | 59.40 |

| GENERAL TOLERANCES<br>(UNLESS SPECIFIED) |              | ZHE JIANG DELI CONNECTORS CO., LTD      |   |
|--|--------------|---|---|
| .X: ± 0.25                               | X°: ± 3.0°   | PRODUCT NAME:<br><b>DL39602 (VH)-AW</b> | TITLE: 3.96 mm pitch WTB<br>Connector Housing |
| .XX: ± 0.15                              | .X°: ± 2.0°  | DR: Yuan Jun Rong                       | DATE: 21.10.10                                |
| .XXX: ± 0.01                             | .XX°: ± 1.0° | CHKD: Wu Hui                            | DATE: 21.10.10                                |
| FINISH:                                  |              | APPD: LIU BING                          | DATE: 21.10.10                                |
| DRAWING NO:                              |              | PART NO:                                |   |
|  |              | SCALE: N/A                              | PAGE: 1/1                                     |
|  |              | UNITS: mm                               | REV.: B                                       |

| REV. | REVISION DESCRIPTION | DATE      | APPD |
|------|----------------------|-----------|------|
| B    | 调整尺寸公差               | 20. 8. 28 |      |

### NOTES

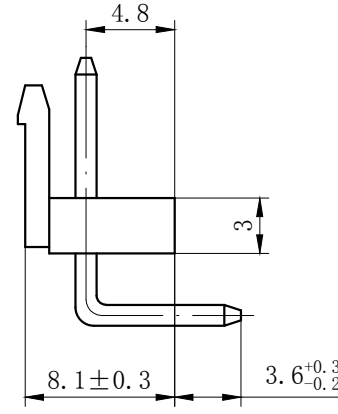
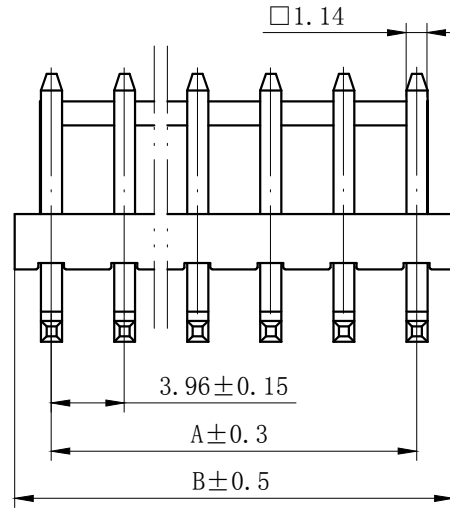
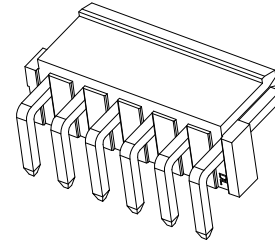
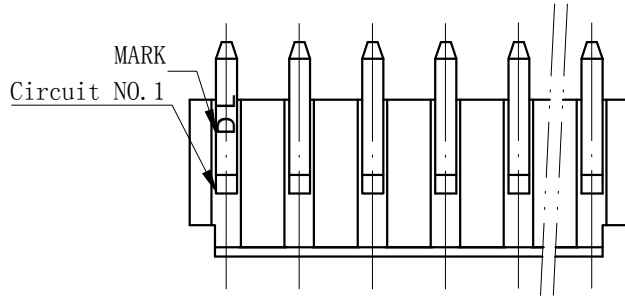
Available in 02 through 15 Circuits.

Mates with DL39602-Y Series Housing.

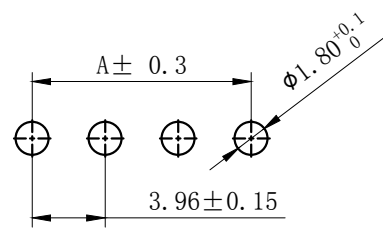
Material : Nylon UL94V-0(2).

1.14mm Square Pin.

Pin Material : Brass / Tin-Plated.



| Circuits | Product name | Dimensino (mm) |       |
|----------|--------------|----------------|-------|
|          |              | A              | B     |
| 2        | VH-2AWT      | 3.96           | 7.92  |
| 3        | VH-3AWT      | 7.92           | 11.88 |
| 4        | VH-4AWT      | 11.88          | 15.84 |
| 5        | VH-5AWT      | 15.84          | 19.80 |
| 6        | VH-6AWT      | 19.80          | 23.76 |
| 7        | VH-7AWT      | 23.76          | 27.72 |
| 8        | VH-8AWT      | 27.72          | 31.68 |
| 9        | VH-9AWT      | 31.68          | 35.64 |
| 10       | VH-10AWT     | 35.64          | 39.60 |
| 11       | VH-11AWT     | 39.60          | 43.56 |
| 12       | VH-12AWT     | 43.56          | 47.52 |
| 13       | VH-13AWT     | 47.52          | 51.48 |
| 14       | VH-14AWT     | 51.48          | 55.44 |
| 15       | VH-15AWT     | 55.44          | 59.40 |



PCB LAYOUT

| GENERAL TOLERANCES (UNLESS SPECIFIED) |              | ZHE JIANG DELI CONNECTORS CO., LTD |  |
|---------------------------------------|--------------|------------------------------------|--|
| .X: ± 0.25                            | X°: ± 3.0°   | PRODUCT NAME:                      | TITLE: 3.96 mm pitch WTB Connector Housing |
| .XX: ± 0.15                           | .X°: ± 2.0°  | DL39602 (VH)-AWT                   |  |
| .XXX: ± 0.01                          | .XX°: ± 1.0° | DR: Yuan Jun Rong                  | DATE: 21.10.10                             |
| FINISH:                               |              | CHKD: Wu Hui                       | DATE: 21.10.10                             |
| DRAWING NO:                           |              | APPD: Ren An De                    | DATE: 21.10.10                             |
|                                       |              |                                    | PART NO:                                   |
|                                       |              |                                    | SCALE: N/A                                 |
|                                       |              |                                    | PAGE: 1/1                                  |
|                                       |              |                                    | UNITS: mm                                  |
|                                       |              |                                    | REV.: B                                    |

|      |                      |           |      |
|------|----------------------|-----------|------|
| REV. | REVISION DESCRIPTION | DATE      | APPD |
| B    | 调整尺寸公差               | 20. 8. 28 |      |

## NOTES

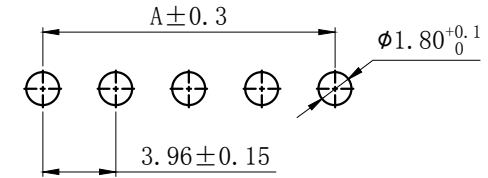
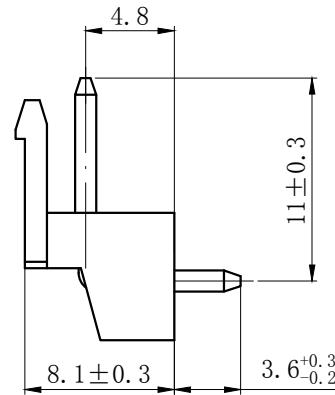
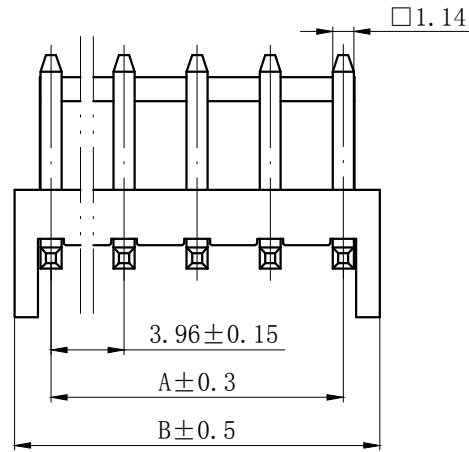
Available in 02 through 15 Circuits.

Mates with DL39602-Y Series Housing.

Material : Nylon UL94V-0(2)

1.14mm Square Pin.

Pin Material : Brass / Tin-Plated.



PCB LAYOUT

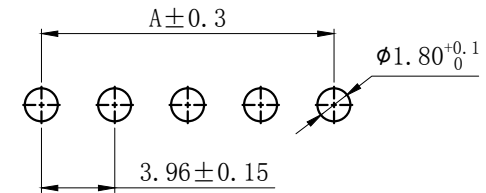
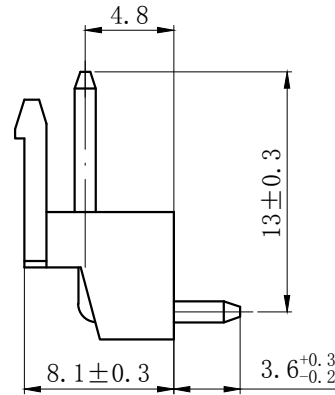
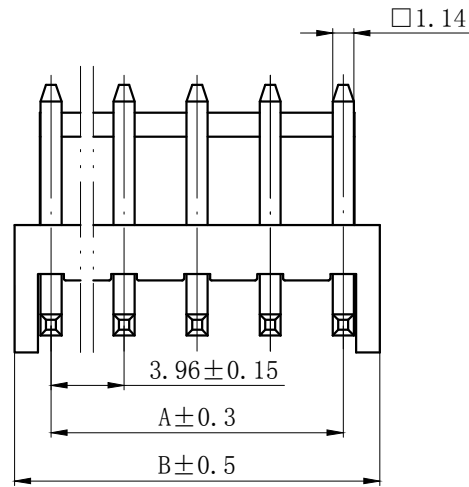
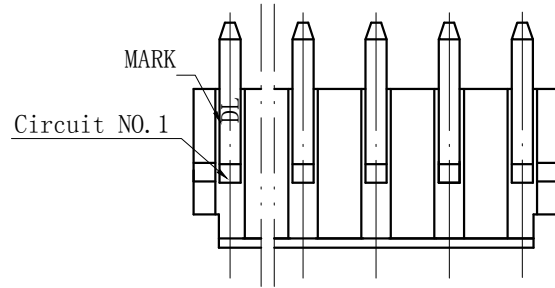
| Circuits | PRODUCT NAME | Dimension mm |       |
|----------|--------------|--------------|-------|
|          |              | A            | B     |
| 02       | VH-2AWD      | 3.96         | 7.92  |
| 03       | VH-3AWD      | 7.92         | 11.88 |
| 04       | VH-4AWD      | 11.88        | 15.84 |
| 05       | VH-5AWD      | 15.84        | 19.80 |
| 06       | VH-6AWD      | 19.80        | 23.76 |
| 07       | VH-7AWD      | 23.76        | 27.72 |
| 08       | VH-8AWD      | 27.72        | 31.68 |
| 09       | VH-9AWD      | 31.68        | 35.64 |
| 10       | VH-10AWD     | 35.64        | 39.60 |
| 11       | VH-11AWD     | 39.60        | 43.56 |
| 12       | VH-12AWD     | 43.56        | 47.52 |
| 13       | VH-13AWD     | 47.52        | 51.48 |
| 14       | VH-14AWD     | 51.48        | 55.44 |
| 15       | VH-15AWD     | 55.44        | 59.40 |

|  |              |  |   |
|--|--------------|--|---|
| GENERAL TOLERANCES<br>(UNLESS SPECIFIED) |              | ZHE JIANG DELI CONNECTORS CO., LTD       |   |
| .X: ± 0.25                               | X°: ± 3.0°   | PRODUCT NAME:<br><b>DL39602 (VH)-AWD</b> | TITLE: 3.96 mm pitch WTB<br>Connector Housing |
| .XX: ± 0.15                              | .X°: ± 2.0°  | DR: Yuan Jun Rong                        | DATE: 21.10.10                                |
| .XXX: ± 0.01                             | .XX°: ± 1.0° | CHKD: Wu Hui                             | DATE: 21.10.10                                |
| FINISH: _____                            |              | APPD: Ren An De                          | DATE: 21.10.10                                |
| DRAWING NO: _____                        |              | SCALE: N/A                               | PAGE: 1/1                                     |
|  |              | UNITS: mm                                | REV.: B                                       |

| REV. | REVISION DESCRIPTION | DATE    | APPD |
|------|----------------------|---------|------|
| B    | 调整尺寸公差               | 20.8.28 |      |

## NOTES

Available in 02 through 15 Circuits.  
Mates with DL39602-Y Series Housing.  
Material : Nylon UL94V-0(2)  
1.14mm Square Pin.  
Pin Material : Brass / Tin-Plated.



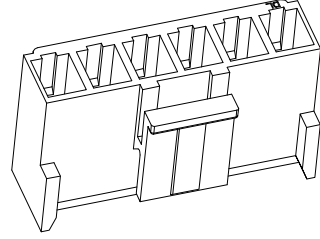
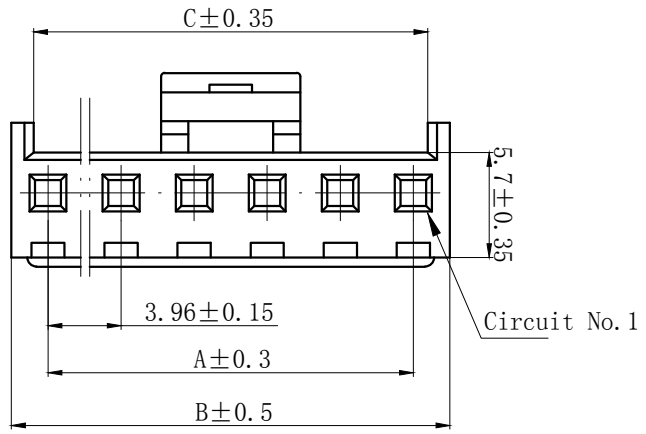
PCB LAYOUT

| Circuits | PRODUCT NAME | Dimension mm |       |
|----------|--------------|--------------|-------|
|          |              | A            | B     |
| 02       | VH-2AWF      | 3.96         | 7.92  |
| 03       | VH-3AWF      | 7.92         | 11.88 |
| 04       | VH-4AWF      | 11.88        | 15.84 |
| 05       | VH-5AWF      | 15.84        | 19.80 |
| 06       | VH-6AWF      | 19.80        | 23.76 |
| 07       | VH-7AWF      | 23.76        | 27.72 |
| 08       | VH-8AWF      | 27.72        | 31.68 |
| 09       | VH-9AWF      | 31.68        | 35.64 |
| 10       | VH-10AWF     | 35.64        | 39.60 |
| 11       | VH-11AWF     | 39.60        | 43.56 |
| 12       | VH-12AWF     | 43.56        | 47.52 |
| 13       | VH-13AWF     | 47.52        | 51.48 |
| 14       | VH-14AWF     | 51.48        | 55.44 |
| 15       | VH-15AWF     | 55.44        | 59.40 |

| GENERAL TOLERANCES (UNLESS SPECIFIED) |              | ZHE JIANG DELI CONNECTORS CO., LTD         |                |
|---------------------------------------|--------------|--|----------------|
| .X: ± 0.25                            | X°: ± 3.0°   | PRODUCT NAME: DL39602 (VH)-AWF             |                |
| .XX: ± 0.15                           | .X°: ± 2.0°  | TITLE: 3.96 mm pitch WTB Connector Housing |                |
| .XXX: ± 0.01                          | .XX°: ± 1.0° | DR: Yuan Jun Rong                          | DATE: 21.10.10 |
| FINISH: _____                         |              | CHKD: Wu Hui                               | DATE: 21.10.10 |
| DRAWING NO: _____                     |              | APPD: Ren An De                            | DATE: 21.10.10 |
|                                       |              | PART NO:                                   |                |
|                                       |              | SCALE: N/A                                 | PAGE: 1/1      |
|                                       |              | UNITS: mm                                  | REV.: B        |

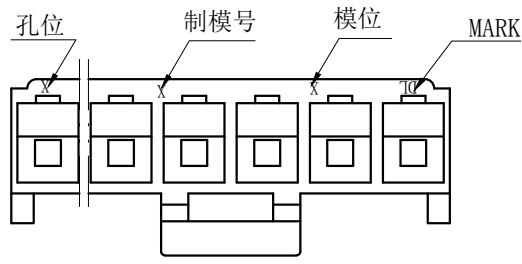
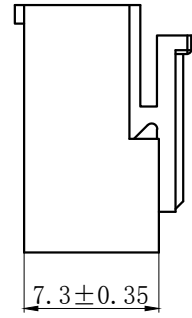
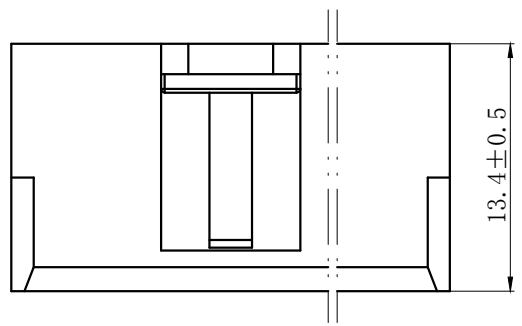


| REV. | REVISION DESCRIPTION | DATE    | APPD   |
|------|----------------------|---------|--------|
| B    | 调整尺寸公差               | 20.8.28 | Wu Hui |



## NOTES

Available in 02 through 15 Circuits.  
 Mates with DL39602 Series Housing.  
 Material : Nylon UL94V-0 (2)  
 Accepts DL39602-T Crimp Terminal.



| Circuits | Product name | Dimension mm |       |       | Circuits | Product name | Dimension mm |       |       |
|----------|--------------|--------------|-------|-------|----------|--------------|--------------|-------|-------|
|          |              | A            | B     | C     |          |              | A            | B     | C     |
| 2        | VH-2Y        | 3.96         | 7.92  | 5.52  | 9        | VH-9Y        | 31.68        | 35.64 | 33.24 |
| 3        | VH-3Y        | 7.92         | 11.88 | 9.48  | 10       | VH-10Y       | 35.64        | 39.60 | 37.20 |
| 4        | VH-4Y        | 11.88        | 15.84 | 13.44 | 11       | VH-11Y       | 39.60        | 43.56 | 41.16 |
| 5        | VH-5Y        | 15.84        | 19.80 | 17.40 | 12       | VH-12Y       | 43.56        | 47.52 | 45.12 |
| 6        | VH-6Y        | 19.80        | 23.76 | 21.36 | 13       | VH-13Y       | 47.52        | 51.48 | 49.08 |
| 7        | VH-7Y        | 23.76        | 27.72 | 25.32 | 14       | VH-14Y       | 51.48        | 55.44 | 53.04 |
| 8        | VH-8Y        | 27.72        | 31.68 | 29.28 | 15       | VH-15Y       | 55.44        | 59.40 | 57.00 |

| GENERAL TOLERANCES (UNLESS SPECIFIED) |              |  |  | ZHE JIANG DELI CONNECTORS CO., LTD        |  |           |  |
|---------------------------------------|--------------|--|--|---|--|-----------|--|
| .X: ± 0.25                            | X°: ± 3.0°   | PRODUCT NAME:<br><b>DL39602 (VH)-Y</b> |  | TITLE:<br>3.96 mm Pitch Connector Housing |  |           |  |
| .XX: ± 0.15                           | .X°: ± 2.0°  | DR: Chen Quan Long DATE: 21.10.10      |  | PART NO:                                  |  |           |  |
| .XXX: ± 0.01                          | .XX°: ± 1.0° | CHKD: Wu Hui DATE: 21.10.10            |  | SCALE: N/A                                |  | PAGE: 1/1 |  |
| FINISH:                               |              | APPD: Ren An De DATE: 21.10.10         |  | UNITS: mm                                 |  | REV.: B   |  |

|      |                      |      |      |
|------|----------------------|------|------|
| REV. | REVISION DESCRIPTION | DATE | APPD |
|      |                      |      |      |



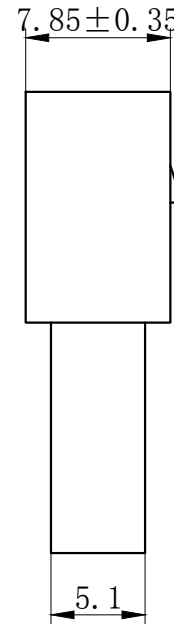
## NOTES

Available in 02 through 15 Circuits.

Mates with DL39602-Y Housing.

Material : Nylon UL94V-0(2).

Accepts DL39602-RT Crimp Terminal.



| Circuits | Product name | Dimension mm |       |       | Circuits | Product name | Dimension mm |       |       |
|----------|--------------|--------------|-------|-------|----------|--------------|--------------|-------|-------|
|          |              | A            | B     | C     |          |              | A            | B     | C     |
| 2        | VH-2R        | 3.96         | 10.54 | 9.34  | 9        | VH-9R        | 31.68        | 38.26 | 37.06 |
| 3        | VH-3R        | 7.92         | 14.50 | 13.30 | 10       | VH-10R       | 35.64        | 42.22 | 41.02 |
| 4        | VH-4R        | 11.88        | 18.46 | 17.26 | 11       | VH-11R       | 39.60        | 46.18 | 44.98 |
| 5        | VH-5R        | 15.84        | 22.42 | 21.22 | 12       | VH-12R       | 43.56        | 50.14 | 48.94 |
| 6        | VH-6R        | 19.80        | 26.38 | 25.18 | 13       | VH-13R       | 47.52        | 54.10 | 52.90 |
| 7        | VH-7R        | 23.76        | 30.34 | 29.14 | 14       | VH-14R       | 51.48        | 58.06 | 56.86 |
| 8        | VH-8R        | 27.72        | 34.30 | 33.10 | 15       | VH-15R       | 55.44        | 62.02 | 60.82 |

|  |              |  |   |
|--|--------------|--|---|
| GENERAL TOLERANCES<br>(UNLESS SPECIFIED) |              | ZHE JIANG DELI CONNECTORS CO., LTD     |   |
| .X: ± 0.25                               | X°: ± 3.0°   | PRODUCT NAME:<br><b>DL39602 (VH)-R</b> | TITLE:<br>3.96 mm Pitch<br>Wire To Wire Housing |
| .XX: ± 0.15                              | .X°: ± 2.0°  | DR: Chen Quan Long                     | DATE: 21.10.10                                  |
| .XXX: ± 0.01                             | .XX°: ± 1.0° | CHKD: Wu Hui                           | DATE: 21.10.10                                  |
| FINISH:                                  |              | APPD: Ren An De                        | DATE: 21.10.10                                  |
| DRAWING NO:                              |              |  |   |
|  |              |  | PART NO:  |
|  |              |  | SCALE: N/A                                      |
|  |              |  | PAGE: 1/1                                       |
|  |              |  | UNITS: mm                                       |
|  |              |  | REV.: A   |

|      |                      |      |      |
|------|----------------------|------|------|
| REV. | REVISION DESCRIPTION | DATE | APPD |
|      |                      |      |      |



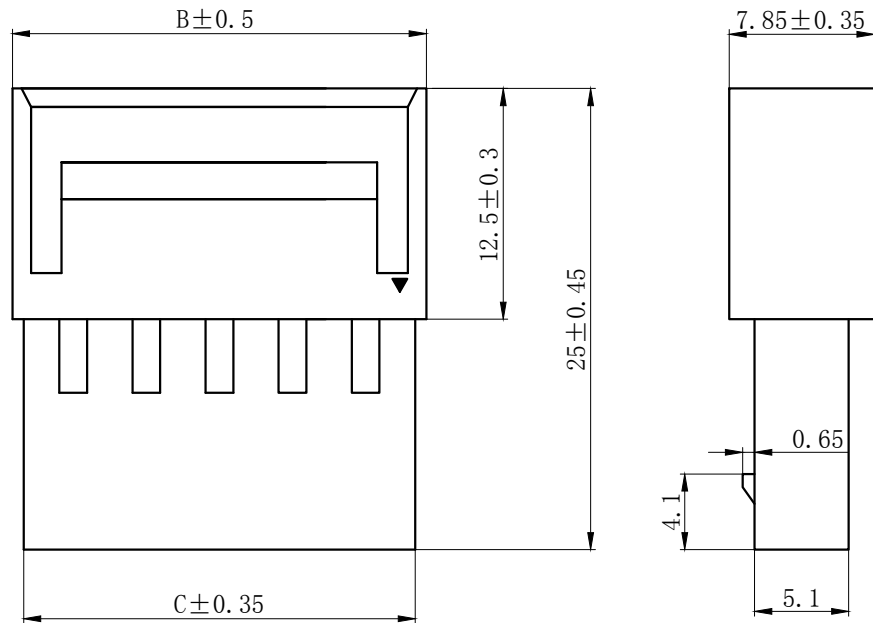
### NOTES

Available in 05.07 Circuits.

Mates with DL39602-Y Housing.

Material : Nylon UL94V-0(2).

Accepts DL39602-RT Crimp Terminal.

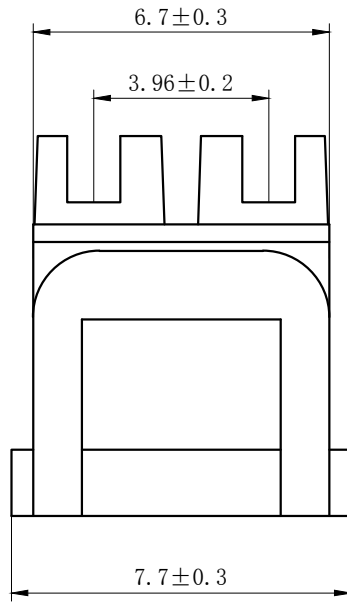
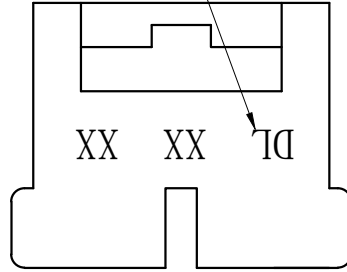


| Circuits | Product name | Dimension mm |       |       |
|----------|--------------|--------------|-------|-------|
|          |              | A            | B     | C     |
| 5        | VH-5RK       | 15.84        | 22.42 | 21.22 |
| 7        | VH-7RK       | 23.76        | 30.34 | 29.14 |

|  |               |   |   |
|--|---------------|---|---|
| GENERAL TOLERANCES<br>(UNLESS SPECIFIED) |               | ZHE JIANG DELI CONNECTORS CO., LTD      |   |
| .X: ± 0.25                               | X° : ± 3.0°   | PRODUCT NAME:<br><b>DL39602 (VH)-RK</b> | TITLE:<br>3.96 mm Pitch<br>Wire To Wire Housing |
| .XX: ± 0.15                              | .X° : ± 2.0°  | DR: Chen Quan Long                      | DATE: 22.10.10                                  |
| .XXX: ± 0.01                             | .XX° : ± 1.0° | CHKD: Wu Hui                            | DATE: 22.10.10                                  |
| FINISH:                                  |               | APPD: Ren An De                         | DATE: 22.10.10                                  |
| DRAWING NO:                              |               | SCALE: N/A                              | PAGE: 1/1                                       |
|  |               | UNITS: mm                               | REV.: A   |

| REV. | REVISION DESCRIPTION | DATE        | APPD   |
|------|----------------------|-------------|--------|
| B.   | 优化: 加长线扣定位柱到线端卡扣槽底部  | 2023. 8. 28 | Wu Hui |

MARK



## NOTES

Available in 02 Circuits.

Mates with DL39602-Y Series Housing.

Material : Nylon UL94V-0(2).

| GENERAL TOLERANCES<br>(UNLESS SPECIFIED) |               | ZHE JIANG DELI CONNECTORS CO., LTD      |                |   |           |
|--|---------------|---|----------------|---|-----------|
| .X: ± 0.25                               | X° : ± 3.0°   | PRODUCT NAME:<br><b>DL39602 (VH)-2S</b> |                | TITLE: 3.96 mm pitch WTB<br>Connector Housing |           |
| .XX: ± 0.15                              | .X° : ± 2.0°  | DR: Yuan Jun Rong                       | DATE: 11.10.10 | PART NO:                                      |           |
| .XXX: ± 0.01                             | .XX° : ± 1.0° | CHKD: Wu Hui                            | DATE: 11.10.10 | SCALE: N/A                                    | PAGE: 1/2 |
| DRAWING NO:                              |               | APPD: Ren An De                         | DATE: 11.10.10 | UNITS: mm                                     | REV.: B   |

| REV. | REVISION DESCRIPTION | DATE        | APPD   |
|------|----------------------|-------------|--------|
| B.   | 优化: 加长线扣定位柱到线端卡扣槽底部  | 2023. 8. 28 | Wu Hui |



## NOTES

Available in 03 through 11 Circuits.  
Mates with DL39602-Y Series Housing.

Material : Nylon UL94V-0(2).

| Circuits | Product name | Dimensino (mm) |       |
|----------|--------------|----------------|-------|
|          |              | A              | B     |
| 3        | VH-3S        | 7.60           | 10.60 |
| 4        | VH-4S        | 11.48          | 14.48 |
| 5        | VH-5S        | 15.44          | 18.44 |
| 6        | VH-6S        | 19.40          | 22.40 |
| 7        | VH-7S        | 23.36          | 26.36 |
| 8        | VH-8S        | 27.32          | 30.32 |
| 9        | VH-9S        | 31.28          | 34.28 |
| 10       | VH-10S       | 35.24          | 38.24 |
| 11       | VH-11S       | 39.20          | 42.20 |

| GENERAL TOLERANCES<br>(UNLESS SPECIFIED) |              | ZHE JIANG DELI CONNECTORS CO., LTD |  |
|--|--------------|------------------------------------|--|
| .X: ± 0.25                               | X°: ± 3.0°   | PRODUCT NAME:                      | TITLE: 3.96 mm pitch WTB Connector Housing |
| .XX: ± 0.15                              | .X°: ± 2.0°  | DR: Yuan Jun Rong                  | DATE: 11.10.10                             |
| .XXX: ± 0.01                             | .XX°: ± 1.0° | DATE: 11.10.10                     | PART NO:                                   |
| FINISH:                                  |              | CHKD: Wu Hui                       | DATE: 11.10.10                             |
| DRAWING NO:                              |              | APPD: Ren An De                    | DATE: 11.10.10                             |
|  |              | SCALE: N/A                         | PAGE: 2/2                                  |
|  |              | UNITS: mm                          | REV.: B                                    |

1

2

3

4

5

6

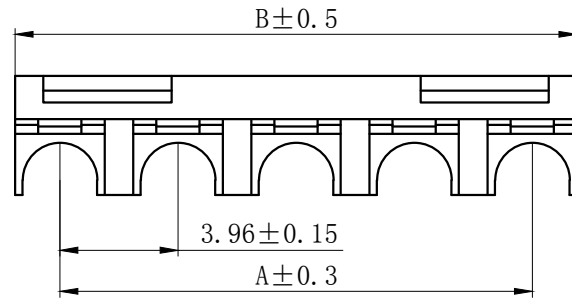
7

8

| REV. | REVISION DESCRIPTION | DATE | APPD |
|------|----------------------|------|------|
|      |                      |      |      |

A

A



B

B

## NOTES

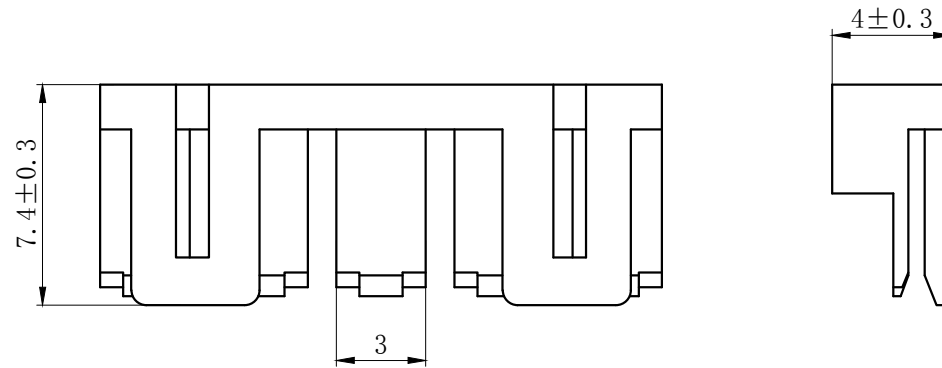
Available in 05.07 Circuits.

Mates with DL39602-RK Series Housing.

Material : Nylon UL94V-0(2).

C

C

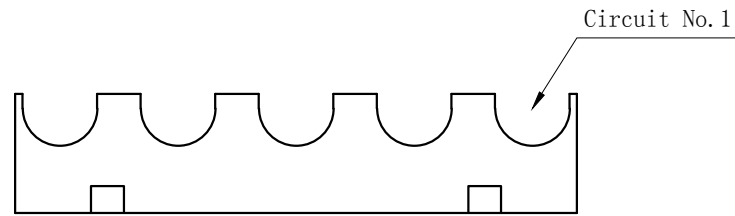


D

D

E

E



| Circuits | Product name | Dimension mm |       |
|----------|--------------|--------------|-------|
|          |              | A            | B     |
| 5        | VH-5RS       | 15.84        | 18.84 |
| 7        | VH-7RS       | 23.76        | 26.76 |

F

F

| GENERAL TOLERANCES<br>(UNLESS SPECIFIED) |                       | ZHE JIANG DELI CONNECTORS CO., LTD |                |  |           |
|--|-----------------------|------------------------------------|----------------|--|-----------|
| .X: $\pm 0.25$                           | X°: $\pm 3.0^\circ$   | PRODUCT NAME:<br>DL39602(VH)-RS    |                | TITLE:<br>3.96 mm pitch WTW<br>Connector Housing |           |
| .XX: $\pm 0.15$                          | .X°: $\pm 2.0^\circ$  | DR: Chen Quan Long                 | DATE: 22.10.10 | PART NO:   |           |
| .XXX: $\pm 0.01$                         | .XX°: $\pm 1.0^\circ$ | CHKD: Wu Hui                       | DATE: 22.10.10 | SCALE: N/A                                       | PAGE: 1/1 |
| DRAWING NO:                              |                       | APPD: Ren An De                    | DATE: 22.10.10 | UNITS: mm  | REV.: A   |

1

2

3

4

5

6

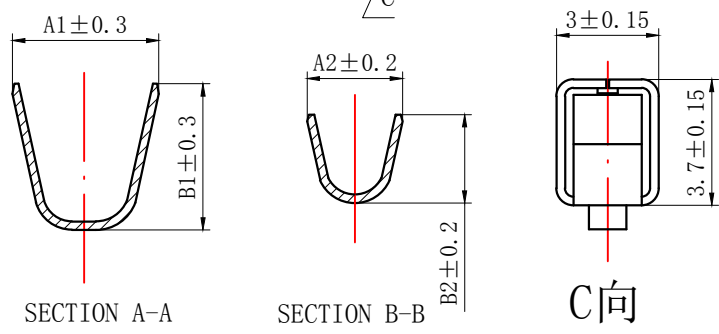
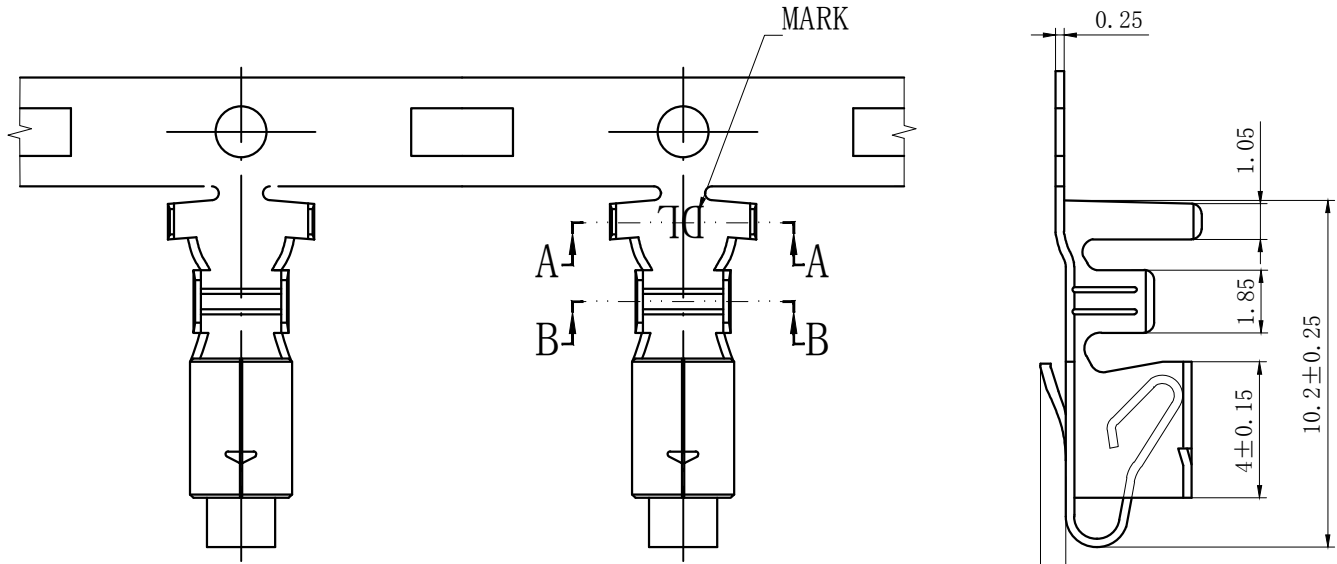
7

8

| REV. | REVISION DESCRIPTION | DATE | APPD |
|------|----------------------|------|------|
|      |                      |      |      |

## NOTES

Used in DL39602-Y Series Housing.  
 Accepts AWG #24~16 Wire Range.  
 Insulation O.D. =1.2~3.0 mm.  
 Material : Phosphor Bronze .  
 Finish: Tin plated.  
 Qty/Reel: 3,500 PCS.  
 Thickness: 0.25 mm.



| Product name | Dimension mm |     |     |     | 适用线规 AWG# |
|--------------|--------------|-----|-----|-----|-----------|
|              | A1           | B1  | A2  | B2  |           |
| VH-T-04      | 2.3          | 2.3 | 2.0 | 1.8 | 24-22     |
| VH-T-03      | 4.3          | 4.3 | 2.8 | 2.6 | 20-16     |
| VH-T-02      | 4.0          | 4.1 | 2.8 | 2.3 | 22-18     |

|                                       |              |  |                                    |
|---------------------------------------|--------------|--|------------------------------------|
| GENERAL TOLERANCES (UNLESS SPECIFIED) |              | ZHE JIANG DELI CONNECTORS CO., LTD     |                                    |
| .X: ± 0.25                            | X°: ± 3.0°   | PRODUCT NAME:<br><b>DL39602 (VH)-T</b> | TITLE: 3.96mm Pitch Crimp Terminal |
| .XX: ± 0.15                           | .X°: ± 2.0°  | DR: Yuan Jun Rong                      | DATE: 21.3.3                       |
| .XXX: ± 0.01                          | .XX°: ± 1.0° | DATE: 21.3.3                           | PART NO:                           |
| FINISH:                               |              | CHKD: Liu Bing                         | DATE: 21.3.3                       |
| DRAWING NO:                           |              | APPD: Liu Bing                         | DATE: 21.3.3                       |
|                                       |              | SCALE: N/A                             | PAGE: 1/1                          |
|                                       |              | UNITS: mm                              | REV.: A                            |

|      |                      |      |      |
|------|----------------------|------|------|
| REV. | REVISION DESCRIPTION | DATE | APPD |
|      |                      |      |      |

### NOTES

Used in DL39602-R Series Housing.  
 Accepts AWG #22~16 Wire Range.  
 Insulation O.D. = 1.7~3.0 mm.  
 Material : Phosphor Bronze .  
 Finish: Tin plated 2um Min.  
 Thickness: 0.25 mm.



SECTION A-A



SECTION B-B



SECTION C-C

| TYPE    | Dimension mm |     |      |     | Applicable wires |
|---------|--------------|-----|------|-----|------------------|
|         | A1           | B1  | A2   | B2  | AWG#             |
| VH-RT-G | 4.3          | 4.3 | 2.8  | 2.6 | 20-16            |
| VH-RT   | 4.3          | 4.3 | 2.35 | 2.2 | 22-18            |

|                                       |              |   |  |
|---------------------------------------|--------------|---|--|
| GENERAL TOLERANCES (UNLESS SPECIFIED) |              | ZHE JIANG DELI CONNECTORS CO., LTD      |  |
| .X: ± 0.25                            | X°: ± 3.0°   | PRODUCT NAME:<br><b>DL39602 (VH)-RT</b> | TITLE:<br>3.96 mm Pitch<br>Wire To Wire Crimp Terminal |
| .XX: ± 0.15                           | .X°: ± 2.0°  | DR: Chen Quan Long                      | DATE: 21.10.10   |
| .XXX: ± 0.01                          | .XX°: ± 1.0° | DATE: 21.10.10                          | PART NO:   |
| FINISH:                               |              | CHKD: Wu Hui                            | DATE: 21.10.10   |
| DRAWING NO:                           |              | APPD: Ren An De                         | DATE: 21.10.10   |
|                                       |              | SCALE: N/A                              | PAGE: 1/1  |
|                                       |              | UNITS: mm                               | REV.: A  |



## X-ON Electronics

Largest Supplier of Electrical and Electronic Components

*Click to view similar products for [Headers & Wire Housings](#) category:*

*Click to view products by [DLL](#) manufacturer:*

Other Similar products are found below :

[0015917161](#) [0022155065](#) [57102-F02-18ULF](#) [58102-G61-06LF](#) [582553-1](#) [01.001.5753.1](#) [0050291907](#) [02.125.8002.8](#) [609-3404](#) [61062-3](#)  
[CSU011177004](#) [622-0430](#) [622-3653LF](#) [63453-116](#) [636-1030](#) [636-1427](#) [636-3427](#) [636-4007](#) [641938-9](#) [65495-038](#) [65692-001LF](#) [65781-018](#)  
[65781-047](#) [65817-010LF](#) [65817-015LF](#) [67095-007LF](#) [67601157](#) [68631-112](#) [68645-018](#) [699319-000](#) [70.362.1628.0](#) [70-4210](#) [70-4226B](#) [70-](#)  
[4853B](#) [71.350.2428.0](#) [733-134](#) [733-162](#) [MHR-64-VUAL](#) [80.063.4001.1](#) [800-90-001-10-001000](#) [801-43-002-10-013000](#) [801-43-006-10-](#)  
[002000](#) [803-43-024-10-001000](#) [803-93-012-10-001000](#) [8-1437020-4](#) [819-22-004-30-001101](#) [820-22-006-30-001101](#) [820-22-008-30-001101](#)  
[821-22-002-10-001101](#) [821-22-003-10-002101](#)