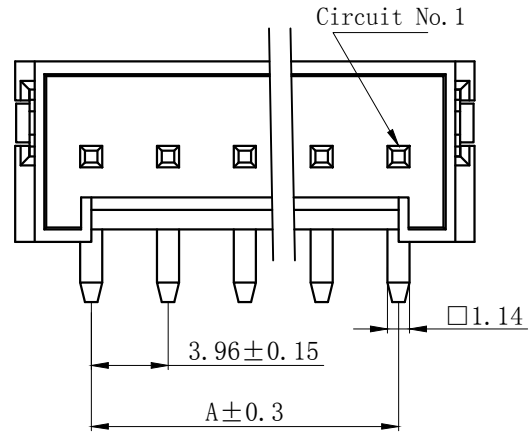
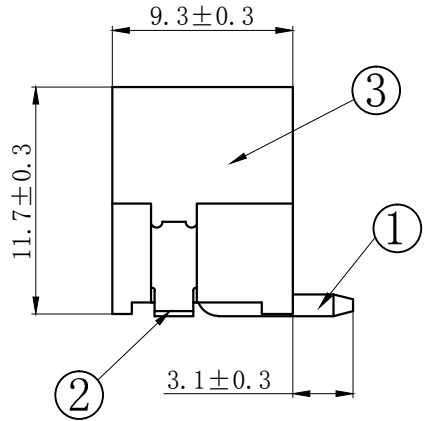
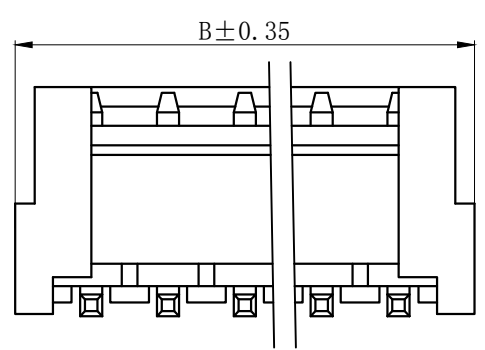


技术特性/Specifications:

额定电压 Rated voltage: 250V AC, DC
额定电流 Rated current: 7A AC, DC
接触电阻 Contact resistance: 20m Ω max
绝缘电阻 Insulation resistance: 1000M Ω min
耐压 Withstand voltage: 1500V AC/minute
环境温度 Ambient temperature: -40 $^{\circ}$ C~+105 $^{\circ}$ C
适用线规 Wire range: AWG#22~#16

| | | | |
|------|----------------------|------|------|
| REV. | REVISION DESCRIPTION | DATE | APPD |
| | | | |



NOTES

Available in 02 through 15 Circuits.
 Mates with DL39602-Y Series Housing.
 Material : LCP UL94V-0.
 Pin Material : Brass.Tin-plated .



| Circuits | Product name | Dimension mm | | Circuits | Product name | Dimension mm | |
|----------|--------------|--------------|-------|----------|--------------|--------------|-------|
| | | A | B | | | A | B |
| 2 | VH-2AB | 3.96 | 11.88 | 9 | VH-9AB | 31.68 | 39.60 |
| 3 | VH-3AB | 7.92 | 15.84 | 10 | VH-10AB | 35.64 | 43.56 |
| 4 | VH-4AB | 11.88 | 19.80 | 11 | VH-11AB | 39.60 | 47.52 |
| 5 | VH-5AB | 15.84 | 23.76 | 12 | VH-12AB | 43.56 | 51.48 |
| 6 | VH-6AB | 19.80 | 27.72 | 13 | VH-13AB | 47.52 | 55.44 |
| 7 | VH-7AB | 23.76 | 31.68 | 14 | VH-14AB | 51.48 | 59.40 |
| 8 | VH-8AB | 27.72 | 35.64 | 15 | VH-15AB | 55.44 | 63.36 |

| | | | | | |
|----|----|-----|-----|----|---------|
| 3 | ③ | 基座 | LCP | 1 | UL94V-0 |
| 2 | ② | 焊片 | 黄铜 | 2 | 镀锡 |
| 1 | ① | 接触件 | 黄铜 | N* | 镀锡 |
| 序号 | 图号 | 名称 | 材料 | 数量 | 附件 |

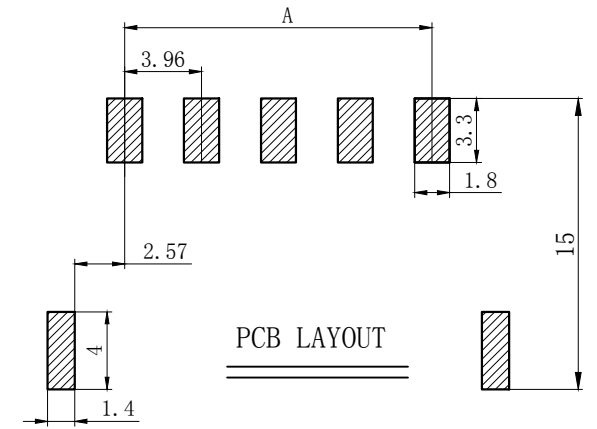
| | | | | | |
|---------------------------------------|--------------|------------------------------------|----------------|---|-----------|
| GENERAL TOLERANCES (UNLESS SPECIFIED) | | ZHE JIANG DELI CONNECTORS CO., LTD | | | |
| .X: ± 0.25 | X°: ± 3.0° | PRODUCT NAME: DL39602 (VH)-AB | | TITLE: 3.96 mm Pitch Wire To Board SMT Wafer | |
| .XX: ± 0.15 | .X°: ± 2.0° | DR: Yuan Jun Rong | DATE: 21/06/07 | PART NO: | |
| .XXX: ± 0.01 | .XX°: ± 1.0° | CHKD: Wu Hui | DATE: 21/06/07 | SCALE: N/A | PAGE: 1/1 |
| DRAWING NO: | | APPD: Ren An De | DATE: 21/06/07 | UNITS: mm | REV.: A |

| REV. | REVISION DESCRIPTION | DATE | APPD |
|------|----------------------|------|------|
| | | | |



NOTES

Available in 02 through 15 Circuits.
Mates with DL39602-Y Series Housing.
Material : LCP UL94V-0.
Pin Material : Brass.Tin-plated .

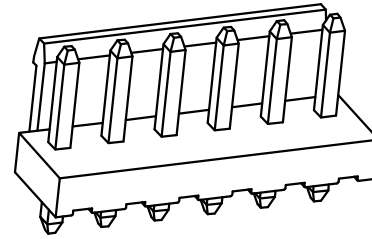
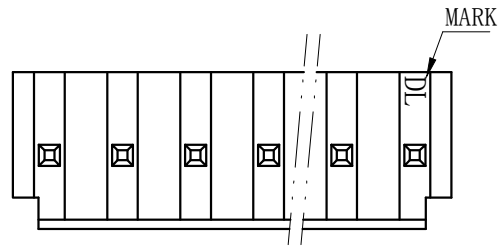


| Circuits | Product name | Dimension mm | | Circuits | Product name | Dimension mm | |
|----------|--------------|--------------|-------|----------|--------------|--------------|-------|
| | | A | B | | | A | B |
| 2 | VH-2AWB | 3.96 | 11.88 | 9 | VH-9AWB | 31.68 | 39.60 |
| 3 | VH-3AWB | 7.92 | 15.84 | 10 | VH-10AWB | 35.64 | 43.56 |
| 4 | VH-4AWB | 11.88 | 19.80 | 11 | VH-11AWB | 39.60 | 47.52 |
| 5 | VH-5AWB | 15.84 | 23.76 | 12 | VH-12AWB | 43.56 | 51.48 |
| 6 | VH-6AWB | 19.80 | 27.72 | 13 | VH-13AWB | 47.52 | 55.44 |
| 7 | VH-7AWB | 23.76 | 31.68 | 14 | VH-14AWB | 51.48 | 59.40 |
| 8 | VH-8AWB | 27.72 | 35.64 | 15 | VH-15AWB | 55.44 | 63.36 |

| | | | | | |
|----|----|-----|-----|----|---------|
| 3 | ③ | 基座 | LCP | 1 | UL94V-0 |
| 2 | ② | 焊片 | 黄铜 | 2 | 镀锡 |
| 1 | ① | 接触件 | 黄铜 | N* | 镀锡 |
| 序号 | 图号 | 名称 | 材料 | 数量 | 附件 |

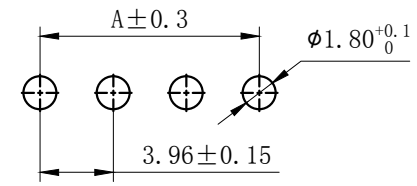
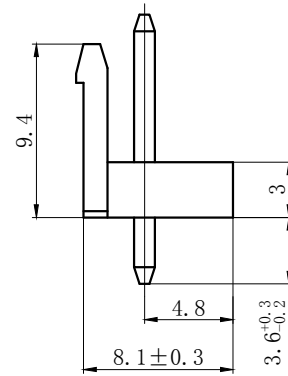
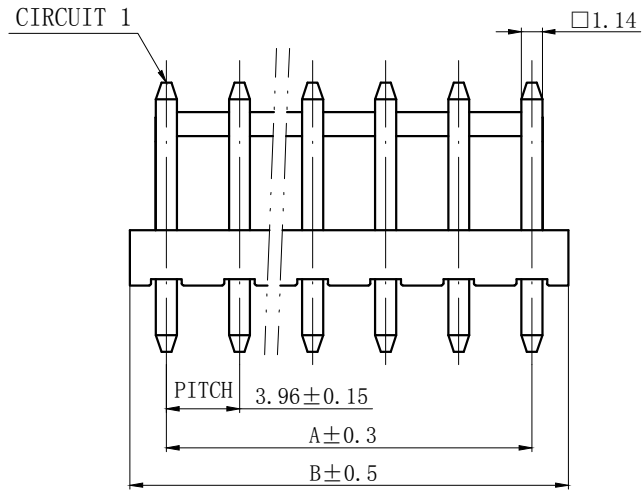
| | | | | | |
|---------------------------------------|--------------|------------------------------------|----------------|--|-----------|
| GENERAL TOLERANCES (UNLESS SPECIFIED) | | ZHE JIANG DELI CONNECTORS CO., LTD | | | |
| .X: ± 0.25 | X°: ± 3.0° | PRODUCT NAME: DL39602 (VH)-AWB | | TITLE: 3.96 mm Pitch Wire To Board SMT Wafer | |
| .XX: ± 0.15 | .X°: ± 2.0° | DR: Yuan Jun Rong | DATE: 21/06/07 | PART NO: | |
| .XXX: ± 0.01 | .XX°: ± 1.0° | CHKD: Wu Hui | DATE: 21/06/07 | SCALE: N/A | PAGE: 1/1 |
| DRAWING NO: | | APPD: Ren An De | DATE: 21/06/07 | UNITS: mm | REV.: A |

| | | | |
|------|----------------------|---------|------|
| REV. | REVISION DESCRIPTION | DATE | APPD |
| B | 调整尺寸公差 | 20.8.28 | |



NOTES

Available in 02 through 15 Circuits.
 Mates with DL39602-Y Series Housing.
 Material : Nylon UL94V-0 (2) .
 1.14mm Square Pin.
 Pin Material : Brass / Tin-Plated.



PCB LAYOUT

| Circuits | PRODUCT NAME | Dimension mm | |
|----------|--------------|--------------|-------|
| | | A | B |
| 02 | VH-2A | 3.96 | 7.92 |
| 03 | VH-3A | 7.92 | 11.88 |
| 04 | VH-4A | 11.88 | 15.84 |
| 05 | VH-5A | 15.84 | 19.80 |
| 06 | VH-6A | 19.80 | 23.76 |
| 07 | VH-7A | 23.76 | 27.72 |
| 08 | VH-8A | 27.72 | 31.68 |
| 09 | VH-9A | 31.68 | 35.64 |
| 10 | VH-10A | 35.64 | 39.60 |
| 11 | VH-11A | 39.60 | 43.56 |
| 12 | VH-12A | 43.56 | 47.52 |
| 13 | VH-13A | 47.52 | 51.48 |
| 14 | VH-14A | 51.48 | 55.44 |
| 15 | VH-15A | 55.44 | 59.40 |

| | | | |
|--|--------------|--|---|
| GENERAL TOLERANCES (UNLESS SPECIFIED) | | ZHE JIANG DELI CONNECTORS CO., LTD | |
| .X: ± 0.25 | X°: ± 3.0° | PRODUCT NAME: DL39602 (VH)-A | TITLE: 3.96 mm pitch WTB Connector Housing |
| .XX: ± 0.15 | .X°: ± 2.0° | DR: Yuan Jun Rong | DATE: 21.10.10 |
| .XXX: ± 0.01 | .XX°: ± 1.0° | DATE: 21.10.10 | PART NO: |
| FINISH: | | CHKD: Wu Hui | DATE: 21.10.10 |
| DRAWING NO: | | APPD: Ren An De | DATE: 21.10.10 |
| | | SCALE: N/A | PAGE: 1/1 |
| | | UNITS: mm | REV.: B |

| REV. | REVISION DESCRIPTION | DATE | APPD |
|------|----------------------|-----------|------|
| B | 调整尺寸公差 | 20. 8. 28 | |

NOTES

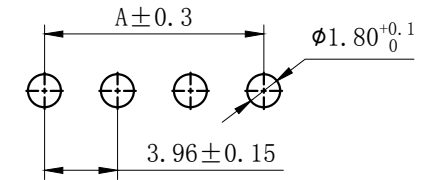
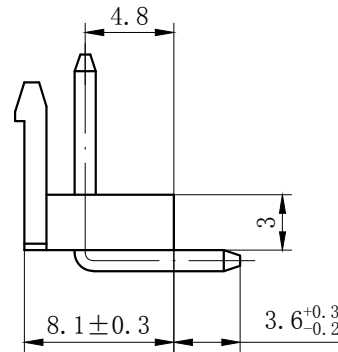
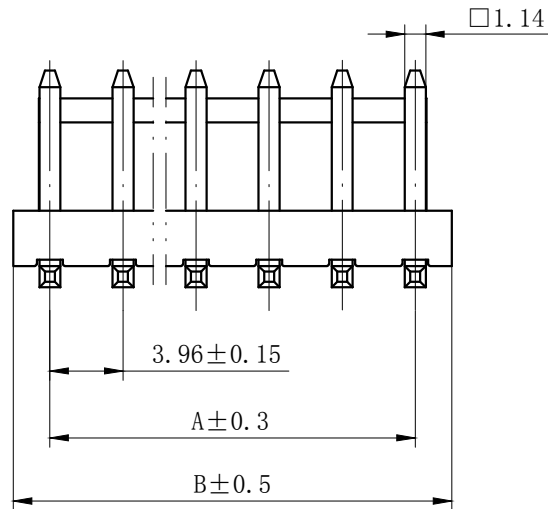
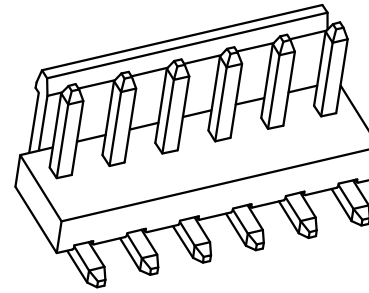
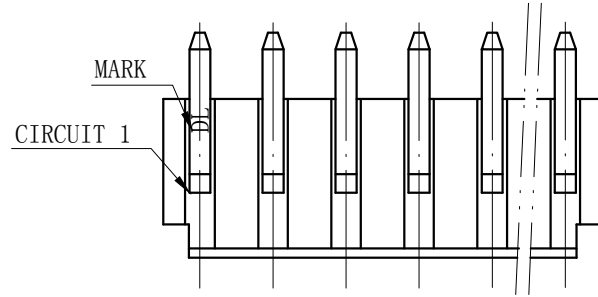
Available in 02 through 15 Circuits.

Mates with DL39602-Y Series Housing.

Material : Nylon UL94V-0(2).

1.14mm Square Pin.

Pin Material : Brass / Tin-Plated.



PCB LAYOUT

| Circuits | PRODUCT NAME | Dimension mm | |
|----------|--------------|--------------|-------|
| | | A | B |
| 02 | VH-2AW | 3.96 | 7.92 |
| 03 | VH-3AW | 7.92 | 11.88 |
| 04 | VH-4AW | 11.88 | 15.84 |
| 05 | VH-5AW | 15.84 | 19.80 |
| 06 | VH-6AW | 19.80 | 23.76 |
| 07 | VH-7AW | 23.76 | 27.72 |
| 08 | VH-8AW | 27.72 | 31.68 |
| 09 | VH-9AW | 31.68 | 35.64 |
| 10 | VH-10AW | 35.64 | 39.60 |
| 11 | VH-11AW | 39.60 | 43.56 |
| 12 | VH-12AW | 43.56 | 47.52 |
| 13 | VH-13AW | 47.52 | 51.48 |
| 14 | VH-14AW | 51.48 | 55.44 |
| 15 | VH-15AW | 55.44 | 59.40 |

| GENERAL TOLERANCES (UNLESS SPECIFIED) | | ZHE JIANG DELI CONNECTORS CO., LTD | |
|--|--------------|------------------------------------|--|
| .X: ± 0.25 | X°: ± 3.0° | PRODUCT NAME: | TITLE: 3.96 mm pitch WTB Connector Housing |
| .XX: ± 0.15 | .X°: ± 2.0° | DL39602 (VH)-AW | |
| .XXX: ± 0.01 | .XX°: ± 1.0° | DR: Yuan Jun Rong | DATE: 21.10.10 |
| FINISH: | | CHKD: Wu Hui | DATE: 21.10.10 |
| DRAWING NO: | | APPD: LIU BING | DATE: 21.10.10 |
| | | PART NO: | |
| | | SCALE: N/A | PAGE: 1/1 |
| | | UNITS: mm | REV.: B |

| REV. | REVISION DESCRIPTION | DATE | APPD |
|------|----------------------|-----------|------|
| B | 调整尺寸公差 | 20. 8. 28 | |

NOTES

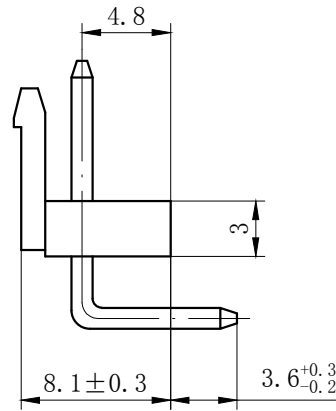
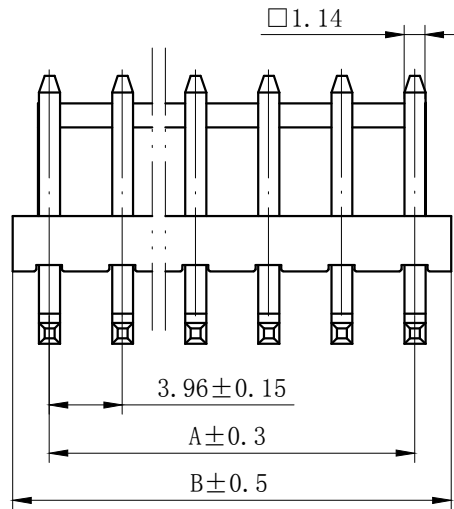
Available in 02 through 15 Circuits.

Mates with DL39602-Y Series Housing.

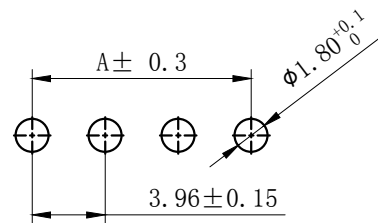
Material : Nylon UL94V-0(2).

1.14mm Square Pin.

Pin Material : Brass / Tin-Plated.



| Circuits | Product name | Dimensino (mm) | |
|----------|--------------|----------------|-------|
| | | A | B |
| 2 | VH-2AWT | 3.96 | 7.92 |
| 3 | VH-3AWT | 7.92 | 11.88 |
| 4 | VH-4AWT | 11.88 | 15.84 |
| 5 | VH-5AWT | 15.84 | 19.80 |
| 6 | VH-6AWT | 19.80 | 23.76 |
| 7 | VH-7AWT | 23.76 | 27.72 |
| 8 | VH-8AWT | 27.72 | 31.68 |
| 9 | VH-9AWT | 31.68 | 35.64 |
| 10 | VH-10AWT | 35.64 | 39.60 |
| 11 | VH-11AWT | 39.60 | 43.56 |
| 12 | VH-12AWT | 43.56 | 47.52 |
| 13 | VH-13AWT | 47.52 | 51.48 |
| 14 | VH-14AWT | 51.48 | 55.44 |
| 15 | VH-15AWT | 55.44 | 59.40 |



PCB LAYOUT

| GENERAL TOLERANCES (UNLESS SPECIFIED) | | ZHE JIANG DELI CONNECTORS CO., LTD | |
|---------------------------------------|--------------|------------------------------------|--|
| .X: ± 0.25 | X°: ± 3.0° | PRODUCT NAME: | TITLE: 3.96 mm pitch WTB Connector Housing |
| .XX: ± 0.15 | .X°: ± 2.0° | DR: Yuan Jun Rong | DATE: 21.10.10 |
| .XXX: ± 0.01 | .XX°: ± 1.0° | CHKD: Wu Hui | DATE: 21.10.10 |
| DRAWING NO: | | APPD: Ren An De | DATE: 21.10.10 |
| | | PART NO: | |
| | | SCALE: N/A | PAGE: 1/1 |
| | | UNITS: mm | REV.: B |

| REV. | REVISION DESCRIPTION | DATE | APPD |
|------|----------------------|-----------|------|
| B | 调整尺寸公差 | 20. 8. 28 | |

NOTES

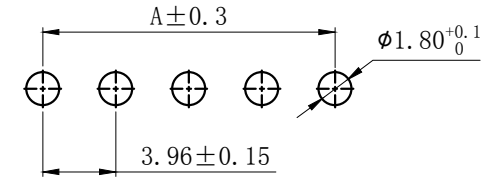
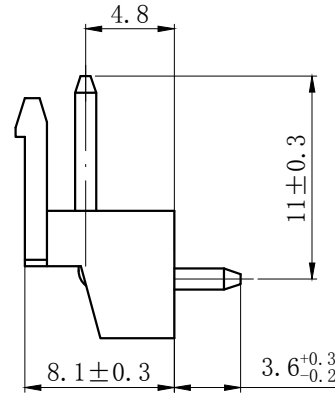
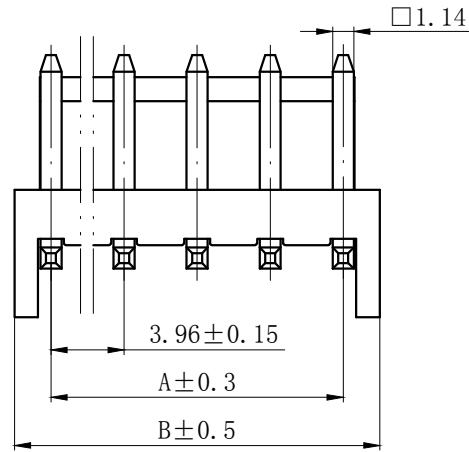
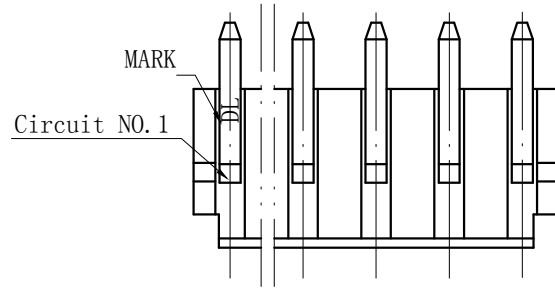
Available in 02 through 15 Circuits.

Mates with DL39602-Y Series Housing.

Material : Nylon UL94V-0(2)

1.14mm Square Pin.

Pin Material : Brass / Tin-Plated.



PCB LAYOUT

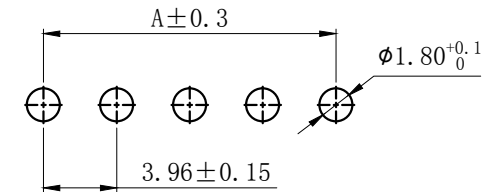
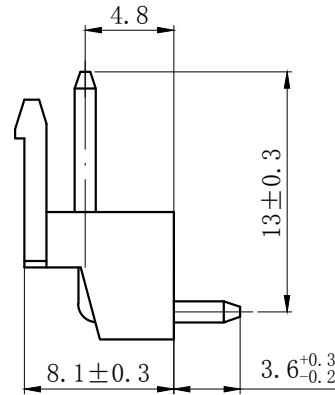
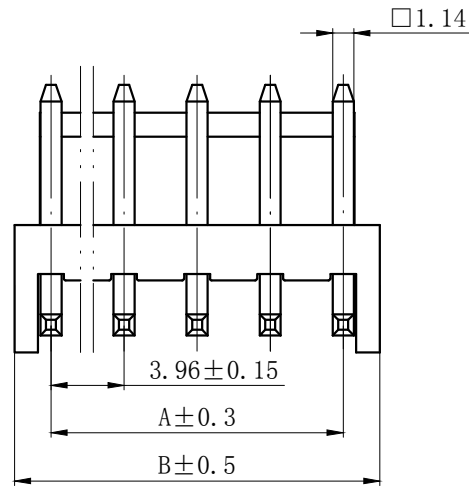
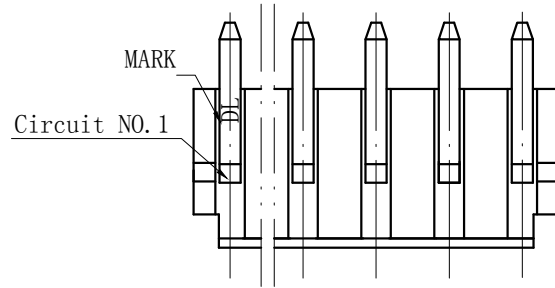
| Circuits | PRODUCT NAME | Dimension mm | |
|----------|--------------|--------------|-------|
| | | A | B |
| 02 | VH-2AWD | 3.96 | 7.92 |
| 03 | VH-3AWD | 7.92 | 11.88 |
| 04 | VH-4AWD | 11.88 | 15.84 |
| 05 | VH-5AWD | 15.84 | 19.80 |
| 06 | VH-6AWD | 19.80 | 23.76 |
| 07 | VH-7AWD | 23.76 | 27.72 |
| 08 | VH-8AWD | 27.72 | 31.68 |
| 09 | VH-9AWD | 31.68 | 35.64 |
| 10 | VH-10AWD | 35.64 | 39.60 |
| 11 | VH-11AWD | 39.60 | 43.56 |
| 12 | VH-12AWD | 43.56 | 47.52 |
| 13 | VH-13AWD | 47.52 | 51.48 |
| 14 | VH-14AWD | 51.48 | 55.44 |
| 15 | VH-15AWD | 55.44 | 59.40 |

| GENERAL TOLERANCES (UNLESS SPECIFIED) | | ZHE JIANG DELI CONNECTORS CO., LTD | |
|--|--------------|--|----------------|
| .X: ± 0.25 | X°: ± 3.0° | PRODUCT NAME: DL39602 (VH)-AWD | |
| .XX: ± 0.15 | .X°: ± 2.0° | TITLE: 3.96 mm pitch WTB Connector Housing | |
| .XXX: ± 0.01 | .XX°: ± 1.0° | DR: Yuan Jun Rong | DATE: 21.10.10 |
| FINISH: _____ | | CHKD: Wu Hui | DATE: 21.10.10 |
| DRAWING NO: _____ | | APPD: Ren An De | DATE: 21.10.10 |
| | | PART NO: | |
| | | SCALE: N/A | PAGE: 1/1 |
| | | UNITS: mm | REV.: B |

| REV. | REVISION DESCRIPTION | DATE | APPD |
|------|----------------------|---------|------|
| B | 调整尺寸公差 | 20.8.28 | |

NOTES

Available in 02 through 15 Circuits.
 Mates with DL39602-Y Series Housing.
 Material : Nylon UL94V-0(2)
 1.14mm Square Pin.
 Pin Material : Brass / Tin-Plated.

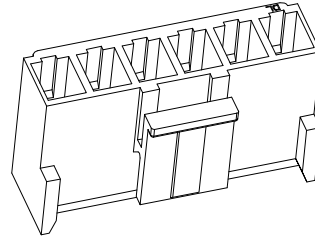
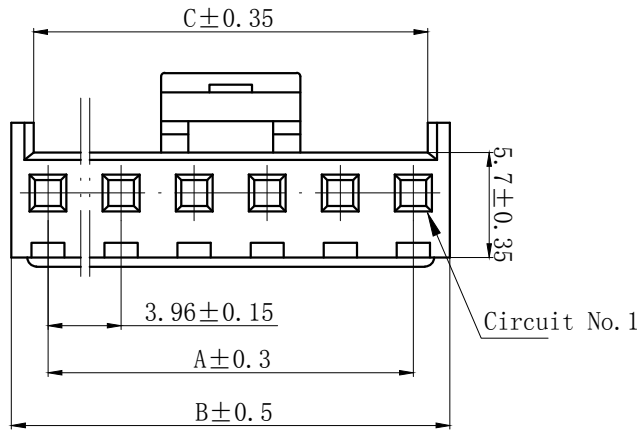


PCB LAYOUT

| Circuits | PRODUCT NAME | Dimension mm | |
|----------|--------------|--------------|-------|
| | | A | B |
| 02 | VH-2AWF | 3.96 | 7.92 |
| 03 | VH-3AWF | 7.92 | 11.88 |
| 04 | VH-4AWF | 11.88 | 15.84 |
| 05 | VH-5AWF | 15.84 | 19.80 |
| 06 | VH-6AWF | 19.80 | 23.76 |
| 07 | VH-7AWF | 23.76 | 27.72 |
| 08 | VH-8AWF | 27.72 | 31.68 |
| 09 | VH-9AWF | 31.68 | 35.64 |
| 10 | VH-10AWF | 35.64 | 39.60 |
| 11 | VH-11AWF | 39.60 | 43.56 |
| 12 | VH-12AWF | 43.56 | 47.52 |
| 13 | VH-13AWF | 47.52 | 51.48 |
| 14 | VH-14AWF | 51.48 | 55.44 |
| 15 | VH-15AWF | 55.44 | 59.40 |

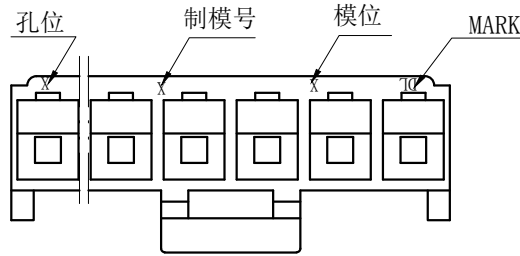
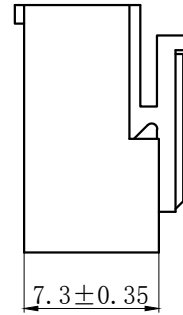
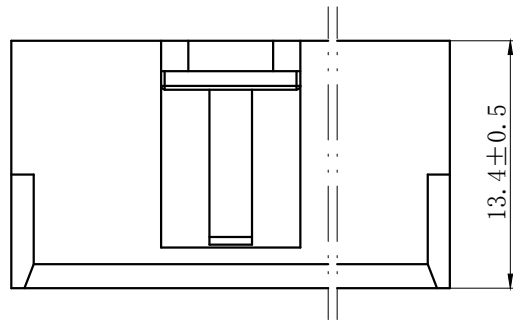
| GENERAL TOLERANCES (UNLESS SPECIFIED) | | ZHE JIANG DELI CONNECTORS CO., LTD | |
|---------------------------------------|--------------|--|----------------|
| .X: ± 0.25 | X°: ± 3.0° | PRODUCT NAME: DL39602 (VH)-AWF | |
| .XX: ± 0.15 | .X°: ± 2.0° | TITLE: 3.96 mm pitch WTB Connector Housing | |
| .XXX: ± 0.01 | .XX°: ± 1.0° | DR: Yuan Jun Rong | DATE: 21.10.10 |
| FINISH: _____ | | CHKD: Wu Hui | DATE: 21.10.10 |
| DRAWING NO: _____ | | APPD: Ren An De | DATE: 21.10.10 |
| | | PART NO: | |
| | | SCALE: N/A | PAGE: 1/1 |
| | | UNITS: mm | REV.: B |

| REV. | REVISION DESCRIPTION | DATE | APPD |
|------|----------------------|---------|--------|
| B | 调整尺寸公差 | 20.8.28 | Wu Hui |



NOTES

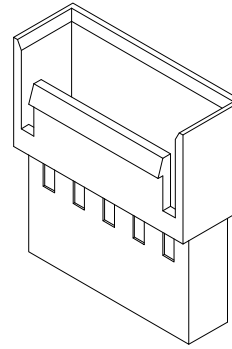
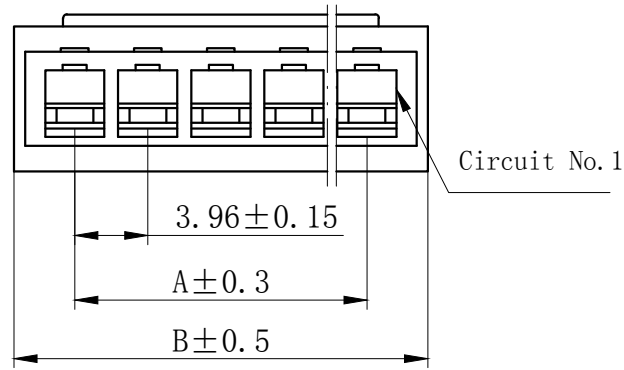
Available in 02 through 15 Circuits.
Mates with DL39602 Series Housing.
Material : Nylon UL94V-0 (2)
Accepts DL39602-T Crimp Terminal.



| Circuits | Product name | Dimension mm | | | Circuits | Product name | Dimension mm | | |
|----------|--------------|--------------|-------|-------|----------|--------------|--------------|-------|-------|
| | | A | B | C | | | A | B | C |
| 2 | VH-2Y | 3.96 | 7.92 | 5.52 | 9 | VH-9Y | 31.68 | 35.64 | 33.24 |
| 3 | VH-3Y | 7.92 | 11.88 | 9.48 | 10 | VH-10Y | 35.64 | 39.60 | 37.20 |
| 4 | VH-4Y | 11.88 | 15.84 | 13.44 | 11 | VH-11Y | 39.60 | 43.56 | 41.16 |
| 5 | VH-5Y | 15.84 | 19.80 | 17.40 | 12 | VH-12Y | 43.56 | 47.52 | 45.12 |
| 6 | VH-6Y | 19.80 | 23.76 | 21.36 | 13 | VH-13Y | 47.52 | 51.48 | 49.08 |
| 7 | VH-7Y | 23.76 | 27.72 | 25.32 | 14 | VH-14Y | 51.48 | 55.44 | 53.04 |
| 8 | VH-8Y | 27.72 | 31.68 | 29.28 | 15 | VH-15Y | 55.44 | 59.40 | 57.00 |

| GENERAL TOLERANCES (UNLESS SPECIFIED) | | ZHE JIANG DELI CONNECTORS CO., LTD | | | |
|---------------------------------------|--------------|--|----------------|---|-----------|
| .X: ± 0.25 | X°: ± 3.0° | PRODUCT NAME: DL39602 (VH)-Y | | TITLE: 3.96 mm Pitch Connector Housing | |
| .XX: ± 0.15 | .X°: ± 2.0° | DR: Chen Quan Long | DATE: 21.10.10 | PART NO: | |
| .XXX: ± 0.01 | .XX°: ± 1.0° | CHKD: Wu Hui | DATE: 21.10.10 | SCALE: N/A | PAGE: 1/1 |
| FINISH: | | APPD: Ren An De | DATE: 21.10.10 | UNITS: mm | REV.: B |
| DRAWING NO: | | | | | |

| | | | |
|------|----------------------|------|------|
| REV. | REVISION DESCRIPTION | DATE | APPD |
| | | | |



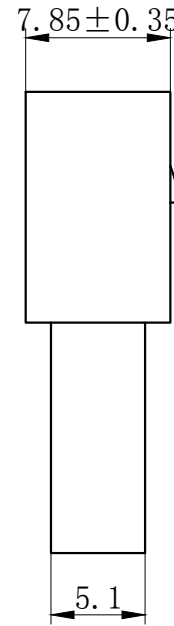
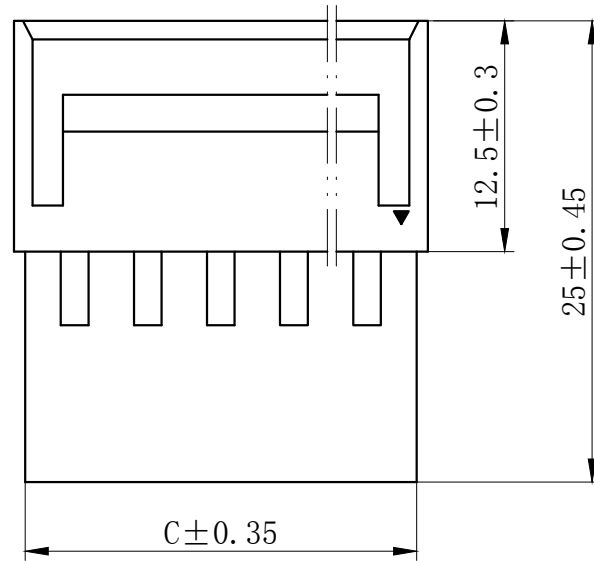
NOTES

Available in 02 through 15 Circuits.

Mates with DL39602-Y Housing.

Material : Nylon UL94V-0(2).

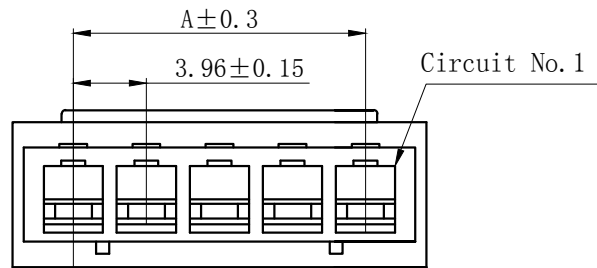
Accepts DL39602-RT Crimp Terminal.



| Circuits | Product name | Dimension mm | | | Circuits | Product name | Dimension mm | | |
|----------|--------------|--------------|-------|-------|----------|--------------|--------------|-------|-------|
| | | A | B | C | | | A | B | C |
| 2 | VH-2R | 3.96 | 10.54 | 9.34 | 9 | VH-9R | 31.68 | 38.26 | 37.06 |
| 3 | VH-3R | 7.92 | 14.50 | 13.30 | 10 | VH-10R | 35.64 | 42.22 | 41.02 |
| 4 | VH-4R | 11.88 | 18.46 | 17.26 | 11 | VH-11R | 39.60 | 46.18 | 44.98 |
| 5 | VH-5R | 15.84 | 22.42 | 21.22 | 12 | VH-12R | 43.56 | 50.14 | 48.94 |
| 6 | VH-6R | 19.80 | 26.38 | 25.18 | 13 | VH-13R | 47.52 | 54.10 | 52.90 |
| 7 | VH-7R | 23.76 | 30.34 | 29.14 | 14 | VH-14R | 51.48 | 58.06 | 56.86 |
| 8 | VH-8R | 27.72 | 34.30 | 33.10 | 15 | VH-15R | 55.44 | 62.02 | 60.82 |

| | | | | | |
|--|--------------|--|----------------|---|-----------|
| GENERAL TOLERANCES (UNLESS SPECIFIED) | | ZHE JIANG DELI CONNECTORS CO., LTD | | | |
| .X: ± 0.25 | X°: ± 3.0° | PRODUCT NAME: DL39602 (VH)-R | | TITLE: 3.96 mm Pitch Wire To Wire Housing | |
| .XX: ± 0.15 | .X°: ± 2.0° | DR: Chen Quan Long | DATE: 21.10.10 | PART NO: | |
| .XXX: ± 0.01 | .XX°: ± 1.0° | CHKD: Wu Hui | DATE: 21.10.10 | SCALE: N/A | PAGE: 1/1 |
| DRAWING NO: | | APPD: Ren An De | DATE: 21.10.10 | UNITS: mm | REV.: A |

| | | | |
|------|----------------------|------|------|
| REV. | REVISION DESCRIPTION | DATE | APPD |
| | | | |



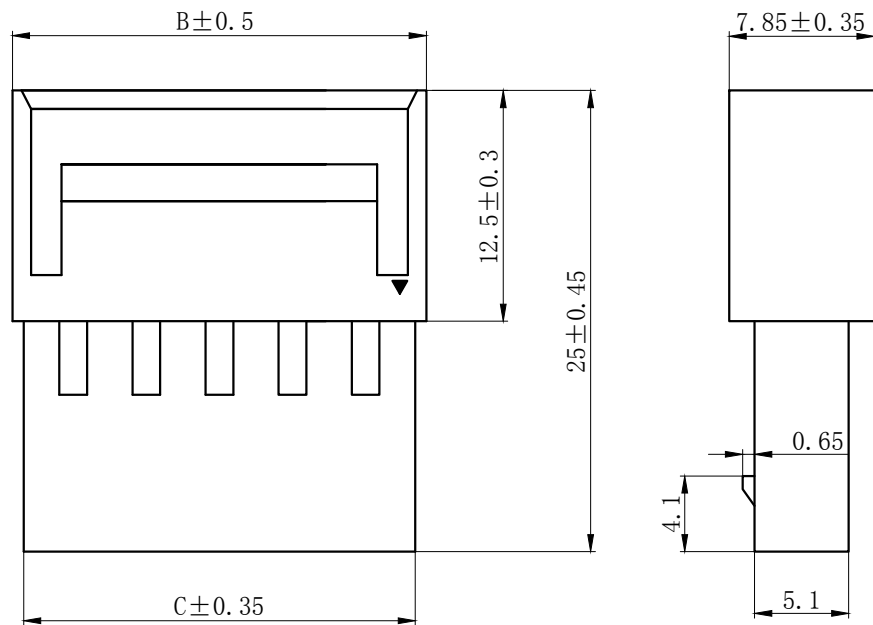
NOTES

Available in 05.07 Circuits.

Mates with DL39602-Y Housing.

Material : Nylon UL94V-0(2).

Accepts DL39602-RT Crimp Terminal.

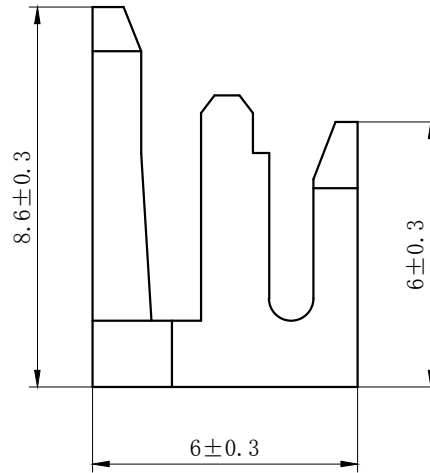
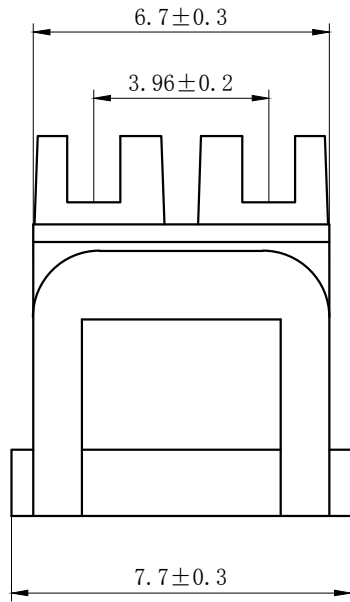
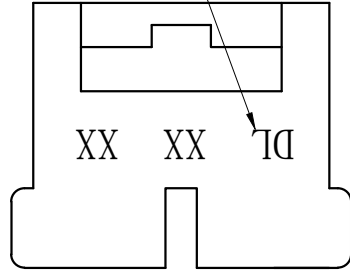


| Circuits | Product name | Dimension mm | | |
|----------|--------------|--------------|-------|-------|
| | | A | B | C |
| 5 | VH-5RK | 15.84 | 22.42 | 21.22 |
| 7 | VH-7RK | 23.76 | 30.34 | 29.14 |

| | | | |
|--|---------------|---|---|
| GENERAL TOLERANCES (UNLESS SPECIFIED) | | ZHE JIANG DELI CONNECTORS CO., LTD | |
| .X: ± 0.25 | X° : ± 3.0° | PRODUCT NAME: DL39602 (VH)-RK | TITLE: 3.96 mm Pitch Wire To Wire Housing |
| .XX: ± 0.15 | .X° : ± 2.0° | DR: Chen Quan Long | DATE: 22.10.10 |
| .XXX: ± 0.01 | .XX° : ± 1.0° | CHKD: Wu Hui | DATE: 22.10.10 |
| FINISH: | | APPD: Ren An De | DATE: 22.10.10 |
| DRAWING NO: | | SCALE: N/A | PAGE: 1/1 |
| | | UNITS: mm | REV.: A |

| REV. | REVISION DESCRIPTION | DATE | APPD |
|------|----------------------|-------------|--------|
| B. | 优化: 加长线扣定位柱到线端卡扣槽底部 | 2023. 8. 28 | Wu Hui |

MARK



NOTES

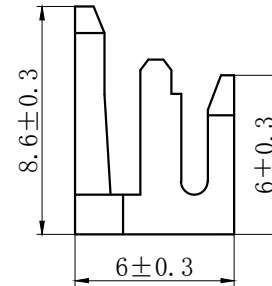
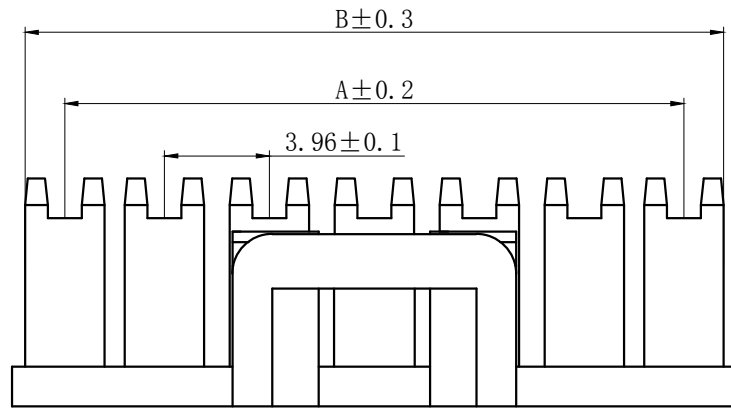
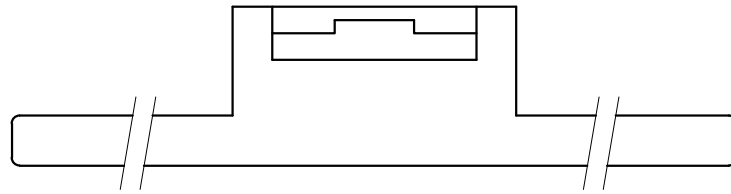
Available in 02 Circuits.

Mates with DL39602-Y Series Housing.

Material : Nylon UL94V-0(2).

| GENERAL TOLERANCES (UNLESS SPECIFIED) | | ZHE JIANG DELI CONNECTORS CO., LTD | |
|--|---------------|------------------------------------|--|
| .X: ± 0.25 | X° : ± 3.0° | PRODUCT NAME: | TITLE: 3.96 mm pitch WTB Connector Housing |
| .XX: ± 0.15 | .X° : ± 2.0° | DL39602 (VH) -2S | |
| .XXX: ± 0.01 | .XX° : ± 1.0° | DR: Yuan Jun Rong | DATE: 11.10.10 |
| FINISH: | | CHKD: Wu Hui | DATE: 11.10.10 |
| DRAWING NO: | | APPD: Ren An De | DATE: 11.10.10 |
| | | PART NO: | |
| | | SCALE: N/A | PAGE: 1/2 |
| | | UNITS: mm | REV.: B |

| REV. | REVISION DESCRIPTION | DATE | APPD |
|------|----------------------|-------------|--------|
| B. | 优化: 加长线扣定位柱到线端卡扣槽底部 | 2023. 8. 28 | Wu Hui |



NOTES

Available in 03 through 11 Circuits.
Mates with DL39602-Y Series Housing.

Material : Nylon UL94V-0(2).

| Circuits | Product name | Dimensino (mm) | |
|----------|--------------|----------------|-------|
| | | A | B |
| 3 | VH-3S | 7.60 | 10.60 |
| 4 | VH-4S | 11.48 | 14.48 |
| 5 | VH-5S | 15.44 | 18.44 |
| 6 | VH-6S | 19.40 | 22.40 |
| 7 | VH-7S | 23.36 | 26.36 |
| 8 | VH-8S | 27.32 | 30.32 |
| 9 | VH-9S | 31.28 | 34.28 |
| 10 | VH-10S | 35.24 | 38.24 |
| 11 | VH-11S | 39.20 | 42.20 |

| GENERAL TOLERANCES (UNLESS SPECIFIED) | | ZHE JIANG DELI CONNECTORS CO., LTD | |
|--|--------------|------------------------------------|--|
| .X: ± 0.25 | X°: ± 3.0° | PRODUCT NAME: | TITLE: 3.96 mm pitch WTB Connector Housing |
| .XX: ± 0.15 | .X°: ± 2.0° | DR: Yuan Jun Rong | DATE: 11.10.10 |
| .XXX: ± 0.01 | .XX°: ± 1.0° | DATE: 11.10.10 | PART NO: |
| FINISH: | | CHKD: Wu Hui | SCALE: N/A |
| DRAWING NO: | | APPD: Ren An De | DATE: 11.10.10 |
| | | | PAGE: 2/2 |
| | | | UNITS: mm |
| | | | REV.: B |

1 2 3 4 5 6 7 8

| REV. | REVISION DESCRIPTION | DATE | APPD |
|------|----------------------|------|------|
| | | | |

A

B

C

D

E

F

A

B

C

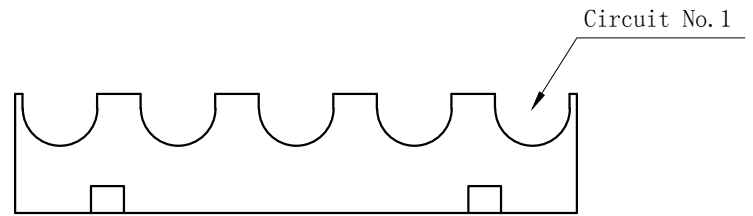
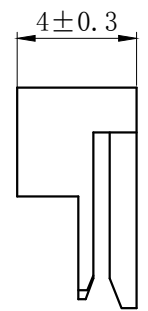
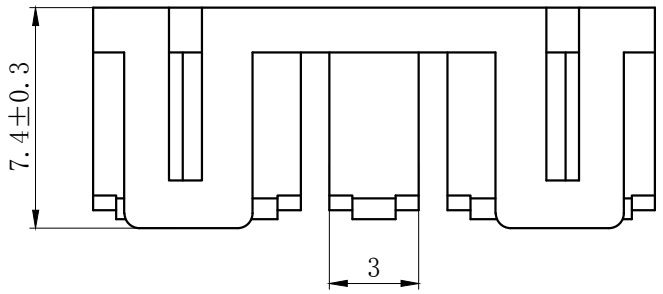
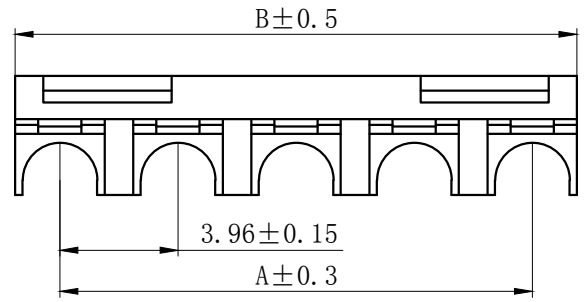
D

E

F

NOTES

Available in 05.07 Circuits.
 Mates with DL39602-RK Series Housing.
 Material : Nylon UL94V-0(2).

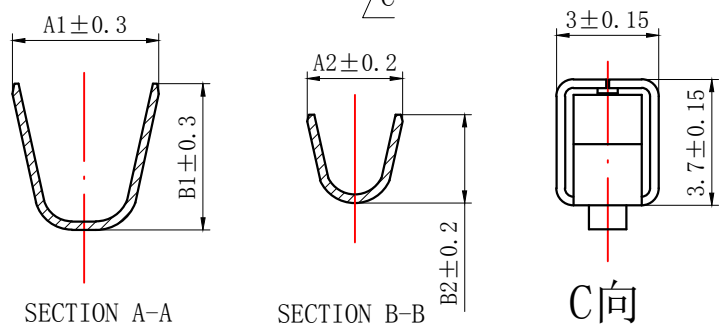
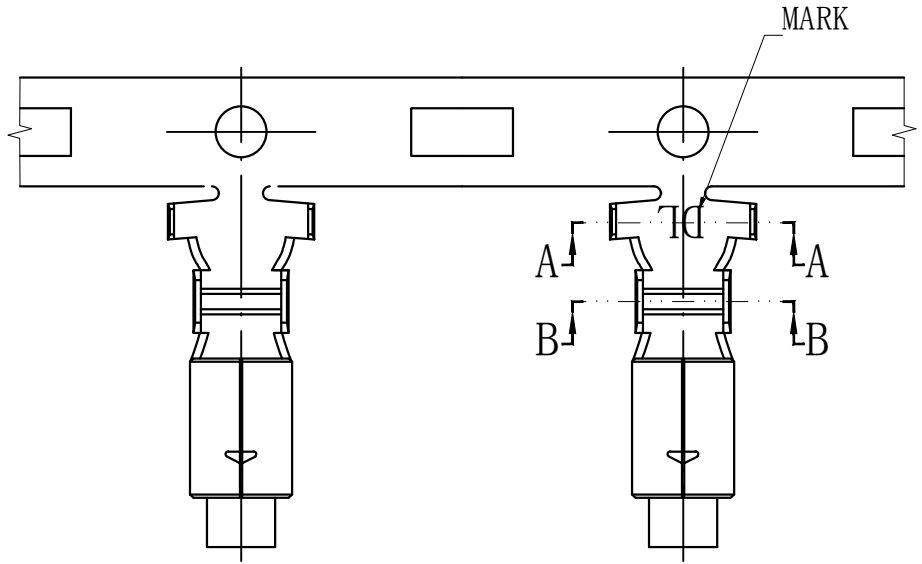


| Circuits | Product name | Dimension mm | |
|----------|--------------|--------------|-------|
| | | A | B |
| 5 | VH-5RS | 15.84 | 18.84 |
| 7 | VH-7RS | 23.76 | 26.76 |

| | | | | | |
|---------------------------------------|--------------|------------------------------------|----------------|---|-----------|
| GENERAL TOLERANCES (UNLESS SPECIFIED) | | ZHE JIANG DELI CONNECTORS CO., LTD | | | |
| .X: ± 0.25 | X°: ± 3.0° | PRODUCT NAME: DL39602 (VH)-RS | | TITLE: 3.96 mm pitch WTW Connector Housing | |
| .XX: ± 0.15 | .X°: ± 2.0° | DR: Chen Quan Long | DATE: 22.10.10 | PART NO: | |
| .XXX: ± 0.01 | .XX°: ± 1.0° | CHKD: Wu Hui | DATE: 22.10.10 | SCALE: N/A | PAGE: 1/1 |
| DRAWING NO: | | APPD: Ren An De | DATE: 22.10.10 | UNITS: mm | REV.: A |

1 2 3 4 5 6 7 8

| REV. | REVISION DESCRIPTION | DATE | APPD |
|------|----------------------|------|------|
| | | | |



NOTES

Used in DL39602-Y Series Housing.
 Accepts AWG #24~16 Wire Range.
 Insulation O.D. = 1.2~3.0 mm.
 Material : Phosphor Bronze .
 Finish: Tin plated.
 Qty/Reel: 3,500 PCS.
 Thickness: 0.25 mm.

| Product name | Dimension mm | | | | 适用线规 AWG# |
|--------------|--------------|-----|-----|-----|--------------|
| | A1 | B1 | A2 | B2 | |
| VH-T-04 | 2.3 | 2.3 | 2.0 | 1.8 | 24-22 |
| VH-T-03 | 4.3 | 4.3 | 2.8 | 2.6 | 20-16 |
| VH-T-02 | 4.0 | 4.1 | 2.8 | 2.3 | 22-18 |

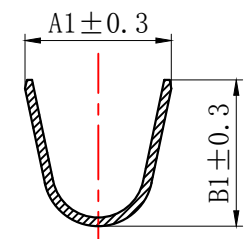
| | | | |
|--|--------------|--|---------------------------------------|
| GENERAL TOLERANCES (UNLESS SPECIFIED) | | ZHE JIANG DELI CONNECTORS CO., LTD | |
| .X: ± 0.25 | X°: ± 3.0° | PRODUCT NAME: DL39602 (VH)-T | TITLE: 3.96mm Pitch Crimp Terminal |
| .XX: ± 0.15 | .X°: ± 2.0° | DR: Yuan Jun Rong | DATE: 21.3.3 |
| .XXX: ± 0.01 | .XX°: ± 1.0° | CHKD: Liu Bing | DATE: 21.3.3 |
| FINISH: | | APPD: Liu Bing | DATE: 21.3.3 |
| DRAWING NO: | | | |

| | | | |
|-----------|---------|------------|-----------|
| PART NO: | | SCALE: N/A | PAGE: 1/1 |
| UNITS: mm | REV.: A | | |

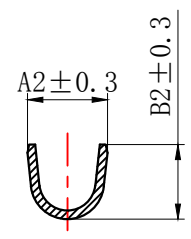
| | | | |
|------|----------------------|------|------|
| REV. | REVISION DESCRIPTION | DATE | APPD |
| | | | |

NOTES

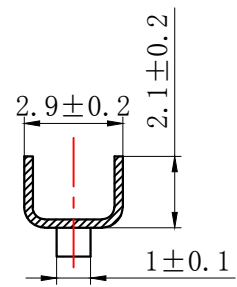
Used in DL39602-R Series Housing.
 Accepts AWG #22~16 Wire Range.
 Insulation O.D. = 1.7~3.0 mm.
 Material : Phosphor Bronze .
 Finish: Tin plated 2um Min.
 Thickness: 0.25 mm.



SECTION A-A



SECTION B-B



SECTION C-C

| TYPE | Dimension mm | | | | Applicable wires |
|---------|--------------|-----|------|-----|------------------|
| | A1 | B1 | A2 | B2 | AWG# |
| VH-RT-G | 4.3 | 4.3 | 2.8 | 2.6 | 20-16 |
| VH-RT | 4.3 | 4.3 | 2.35 | 2.2 | 22-18 |

| | | | |
|---------------------------------------|--------------|------------------------------------|--|
| GENERAL TOLERANCES (UNLESS SPECIFIED) | | ZHE JIANG DELI CONNECTORS CO., LTD | |
| .X: ± 0.25 | X°: ± 3.0° | PRODUCT NAME: DL39602 (VH)-RT | TITLE: 3.96 mm Pitch Wire To Wire Crimp Terminal |
| .XX: ± 0.15 | .X°: ± 2.0° | DR: Chen Quan Long | DATE: 21.10.10 |
| .XXX: ± 0.01 | .XX°: ± 1.0° | DATE: 21.10.10 | PART NO: |
| FINISH: | | CHKD: Wu Hui | DATE: 21.10.10 |
| DRAWING NO: | | APPD: Ren An De | DATE: 21.10.10 |
| | | SCALE: N/A | PAGE: 1/1 |
| | | UNITS: mm | REV.: A |

X-ON Electronics

Largest Supplier of Electrical and Electronic Components

Click to view similar products for [Headers & Wire Housings](#) category:

Click to view products by [DLL](#) manufacturer:

Other Similar products are found below :

[0015917161](#) [0022155065](#) [57102-F02-18ULF](#) [58102-G61-06LF](#) [582553-1](#) [01.001.5753.1](#) [0050291907](#) [02.125.8002.8](#) [609-3404](#) [61062-3](#)
[CSU011177004](#) [622-0430](#) [622-3653LF](#) [63453-116](#) [636-1030](#) [636-1427](#) [636-3427](#) [636-4007](#) [641938-9](#) [65495-038](#) [65692-001LF](#) [65781-018](#)
[65781-047](#) [65817-010LF](#) [65817-015LF](#) [67095-007LF](#) [67601157](#) [68631-112](#) [68645-018](#) [699319-000](#) [70.362.1628.0](#) [70-4210](#) [70-4226B](#) [70-](#)
[4853B](#) [71.350.2428.0](#) [733-134](#) [733-162](#) [MHR-64-VUAL](#) [80.063.4001.1](#) [800-90-001-10-001000](#) [801-43-002-10-013000](#) [801-43-006-10-](#)
[002000](#) [803-43-024-10-001000](#) [803-93-012-10-001000](#) [8-1437020-4](#) [819-22-004-30-001101](#) [820-22-006-30-001101](#) [820-22-008-30-001101](#)
[821-22-002-10-001101](#) [821-22-003-10-002101](#)