

**技术特性/Specifications:**

额定电压 Rated voltage: 250V AC, DC  
额定电流 Rated current: 3A AC, DC  
接触电阻 Contact resistance: 20mΩ max  
绝缘电阻 Insulation resistance: 1000MΩ min  
耐压 Withstand voltage: 1000V AC/minute  
环境温度 Ambient temperature: -40℃~+105℃  
适用线规 Wire range: AWG#28~#20

|      |          |             |      |      |
|------|----------|-------------|------|------|
| REV. | REVISION | DESCRIPTION | DATE | APPD |
|      |          |             |      |      |

**NORES:**

1. Rated voltage: 250V AC/DC
2. Rated current: 3A AC/DC
3. Contact resistance:  $\leq 20 \text{ m}\Omega$
4. Insulation resistance:  $\geq 1000 \text{ m}\Omega$
5. Withstand voltage: 1000V AC/minute
6. Ambient temperature:  $-40^{\circ}\text{C} \sim 105^{\circ}\text{C}$
7. Materials: Nylon UL94V-0(2)
8. Matched RoHS criteria



Circuit No.1  
2x2~2x8PIN  
C±0.2



Circuit No.2



2x9PIN以上

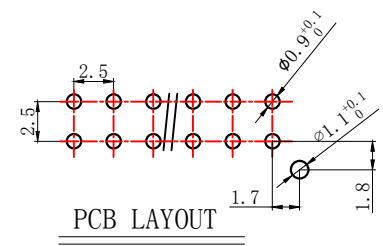
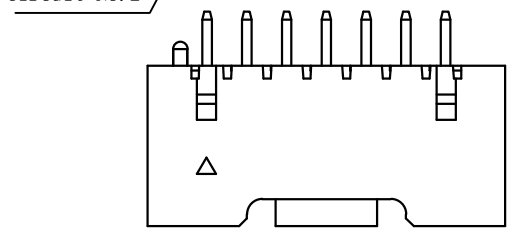
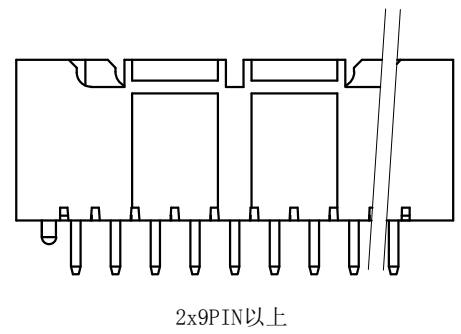
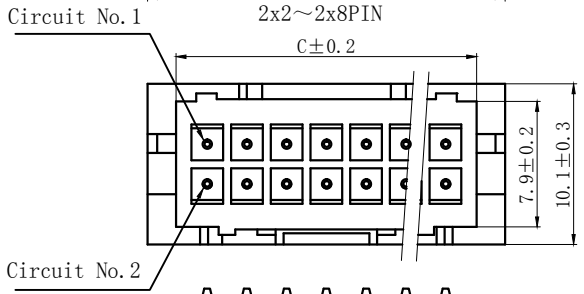


PCB LAYOUT

| Circuits | Product name | Dimensino (mm) |      |      | Circuits | Product name | Dimensino (mm) |      |      |
|----------|--------------|----------------|------|------|----------|--------------|----------------|------|------|
|          |              | A              | B    | C    |          |              | A              | B    | C    |
| 2x2      | XAD-4A       | 2.5            | 10.0 | 6.4  | 2x10     | XAD-20A      | 22.5           | 30.0 | 26.4 |
| 2x3      | XAD-6A       | 5.0            | 12.5 | 8.9  | 2x11     | XAD-22A      | 25.0           | 32.5 | 28.9 |
| 2x4      | XAD-8A       | 7.5            | 15.0 | 11.4 | 2x12     | XAD-24A      | 27.5           | 35.0 | 31.4 |
| 2x5      | XAD-10A      | 10.0           | 17.5 | 13.9 | 2x13     | XAD-26A      | 30.0           | 37.5 | 33.9 |
| 2x6      | XAD-12A      | 12.5           | 20.0 | 16.4 | 2x14     | XAD-28A      | 32.5           | 40.0 | 36.4 |
| 2x7      | XAD-14A      | 15.0           | 22.5 | 18.9 | 2x15     | XAD-30A      | 35.0           | 42.5 | 38.9 |
| 2x8      | XAD-16A      | 17.5           | 25.0 | 21.4 | ~        | ~            | ~              | ~    | ~    |
| 2x9      | XAD-18A      | 20.0           | 27.5 | 23.9 | 2x20     | XAD-40A      | 47.5           | 55.0 | 51.4 |

|                                       |              |                                    |  |  |  |
|---------------------------------------|--------------|------------------------------------|--|--|--|
| GENERAL TOLERANCES (UNLESS SPECIFIED) |              | ZHE JIANG DELI CONNECTORS CO., LTD |  |  |  |
| .X: ± 0.25                            | X°: ± 3.0°   | PRODUCT NAME:<br>DL25034 (XAD)-A   |  | TITLE:<br>2.50 mm Pitch<br>Wire To Board Wafer |  |
| .XX: ± 0.15                           | .X°: ± 2.0°  | DR: Chen Quan Long                 |  | DATE:21/08/01                                  |  |
| .XXX: ± 0.01                          | .XX°: ± 1.0° | CHKD: Wu Hui                       |  | DATE:21/08/01                                  |  |
| FINISH:                               |              | APPD: Ren An De                    |  | DATE:21/08/01                                  |  |
| DRAWING NO:                           |              | UNITS: mm                          |  | PAGE: 1/1                                      |  |
|                                       |              | REV.: A                            |  |  |  |

|      |   |                      |   |      |      |
|------|---|----------------------|---|------|------|
| REV. | 7 | REVISION DESCRIPTION | 8 | DATE | APPD |
|      |   |                      |   |      |      |



**NORES:**

1. Rated voltage: 250V AC/DC
2. Rated current: 3A AC DC
3. Contact resistance:  $\leq 20 \text{ m}\Omega$
4. Insulation resistance:  $\geq 1000 \text{ m}\Omega$
5. Withstand voltage: 1000V AC/minute
6. Ambient temperature:  $-40^\circ\text{C} \sim 105^\circ\text{C}$
7. Materials: Nylon UL94V-0 (2)
8. Matched RoHS criteria

| Circuits | Product name | Dimensino(mm) |      |      | Circuits | Product name | Dimensino(mm) |      |      |
|----------|--------------|---------------|------|------|----------|--------------|---------------|------|------|
|          |              | A             | B    | C    |          |              | A             | B    | C    |
| 2x2      | XAD-4AS      | 2.5           | 10.0 | 6.4  | 2x10     | XAD-20AS     | 22.5          | 30.0 | 26.4 |
| 2x3      | XAD-6AS      | 5.0           | 12.5 | 8.9  | 2x11     | XAD-22AS     | 25.0          | 32.5 | 28.9 |
| 2x4      | XAD-8AS      | 7.5           | 15.0 | 11.4 | 2x12     | XAD-24AS     | 27.5          | 35.0 | 31.4 |
| 2x5      | XAD-10AS     | 10.0          | 17.5 | 13.9 | 2x13     | XAD-26AS     | 30.0          | 37.5 | 33.9 |
| 2x6      | XAD-12AS     | 12.5          | 20.0 | 16.4 | 2x14     | XAD-28AS     | 32.5          | 40.0 | 36.4 |
| 2x7      | XAD-14AS     | 15.0          | 22.5 | 18.9 | 2x15     | XAD-30AS     | 35.0          | 42.5 | 38.9 |
| 2x8      | XAD-16AS     | 17.5          | 25.0 | 21.4 | ~        | ~            | ~             | ~    | ~    |
| 2x9      | XAD-18AS     | 20.0          | 27.5 | 23.9 | 2x20     | XAD-40AS     | 47.5          | 55.0 | 51.4 |

|                                       |                       |                                    |                |  |           |
|---------------------------------------|-----------------------|------------------------------------|----------------|--|-----------|
| GENERAL TOLERANCES (UNLESS SPECIFIED) |                       | ZHE JIANG DELI CONNECTORS CO., LTD |                |  |           |
| .X: $\pm 0.25$                        | X°: $\pm 3.0^\circ$   | PRODUCT NAME:<br>DL25034(XAD)-AS   |                | TITLE:<br>2.50 mm Pitch<br>Wire To Board Wafer |           |
| .XX: $\pm 0.15$                       | .X°: $\pm 2.0^\circ$  | DR: Chen Quan Long                 | DATE: 21/08/01 | PART NO:                                       |           |
| .XXX: $\pm 0.01$                      | .XX°: $\pm 1.0^\circ$ | CHKD: Wu Hui                       | DATE: 21/08/01 | SCALE: N/A                                     | PAGE: 1/1 |
| DRAWING NO:                           |                       | APPD: Ren An De                    | DATE: 21/08/01 | UNITS: mm                                      | REV.: A   |



| REV. | REVISION DESCRIPTION | DATE | APPD |
|------|----------------------|------|------|
|      |                      |      |      |

## NOTES

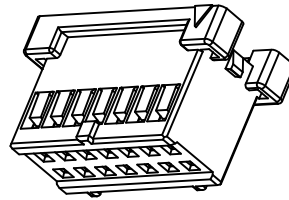
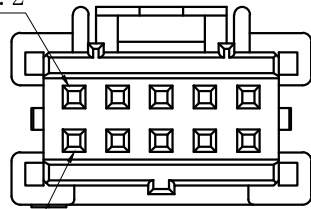
Available in 04 through 40 Circuits.

Match with DL25034 series housing

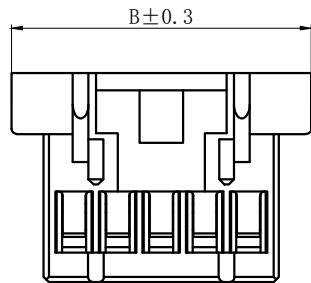
Material : Nylon UL94V-0(2).

Accepts DL25034-T Crimp Terminal.

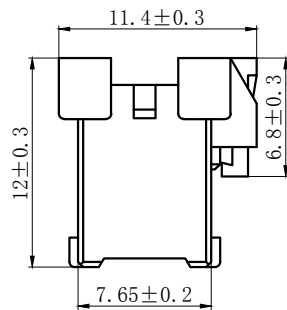
Circuit No.2



Circuit No.1



2X2-2X8PIN



2X9-2X20PIN



| Circuits | Product name | Dimension mm |       | Circuits | Product name | Dimension mm |       |
|----------|--------------|--------------|-------|----------|--------------|--------------|-------|
|          |              | A            | B     |          |              | A            | B     |
| 2X2      | XAD-4Y       | 2.50         | 9.70  | 2X12     | XAD-24Y      | 27.50        | 34.70 |
| 2X3      | XAD-6Y       | 5.00         | 12.20 | 2X13     | XAD-26Y      | 30.00        | 37.20 |
| 2X4      | XAD-8Y       | 7.50         | 14.70 | 2X14     | XAD-28Y      | 32.50        | 39.70 |
| 2X5      | XAD-10Y      | 10.00        | 17.20 | 2X15     | XAD-30Y      | 35.00        | 42.20 |
| 2X6      | XAD-12Y      | 12.50        | 19.70 | 2X16     | XAD-32Y      | 37.50        | 44.70 |
| 2X7      | XAD-14Y      | 15.00        | 22.20 | 2X17     | XAD-34Y      | 40.00        | 47.20 |
| 2X8      | XAD-16Y      | 17.50        | 24.70 | 2X18     | XAD-36Y      | 42.50        | 49.70 |
| 2X9      | XAD-18Y      | 20.00        | 27.20 | 2X19     | XAD-38Y      | 45.00        | 52.20 |
| 2X10     | XAD-20Y      | 22.50        | 29.70 | 2X20     | XAD-40Y      | 47.50        | 54.70 |
| 2X11     | XAD-22Y      | 25.00        | 32.20 |          |              |              |       |

GENERAL TOLERANCES  
(UNLESS SPECIFIED)

|              |               |
|--------------|---------------|
| .X: ± 0.25   | X° : ± 3.0°   |
| .XX: ± 0.15  | .X° : ± 2.0°  |
| .XXX: ± 0.01 | .XX° : ± 1.0° |
| FINISH:      |               |
| DRAWING NO:  |               |

ZHE JIANG DELI CONNECTORS CO., LTD

|                                  |                |                                 |           |
|----------------------------------|----------------|---------------------------------|-----------|
| PRODUCT NAME:<br>DL25034 (XAD)-Y |                | TITLE:<br>2.50 mm Pitch Housing |           |
| DR: Chen Quan Long               | DATE: 19/08/01 | PART NO:                        |           |
| CHKD: Wu Hui                     | DATE: 19/08/01 | SCALE: N/A                      | PAGE: 1/1 |
| APPD: Ren An De                  | DATE: 19/08/01 | UNITS: mm                       | REV.: A   |

| REV. | REVISION DESCRIPTION | DATE | APPD |
|------|----------------------|------|------|
|      |                      |      |      |

**NORES:**

1. Rated voltage: 250V AC/DC
2. Rated current: 3A AC/DC
3. Contact resistance:  $\leq 10 \text{ m}\Omega$
4. Insulation resistance:  $\geq 500 \text{ m}\Omega$
5. Withstand voltage: 1500V AC/minute
6. Ambient temperature:  $-40^\circ\text{C} \sim 105^\circ\text{C}$
7. Materials: Nylon UL94V-0 (2)
8. Matched RoHS criteria



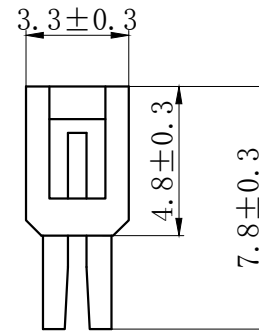
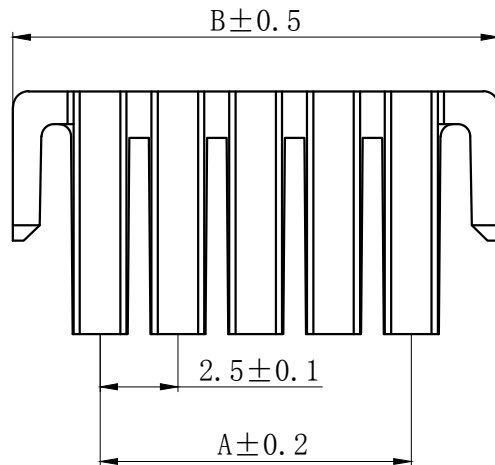
| Circuits | Product name | Dimension mm |       |       | Circuits | Product name | Dimension mm |       |       |
|----------|--------------|--------------|-------|-------|----------|--------------|--------------|-------|-------|
|          |              | A            | B     | C     |          |              | A            | B     | C     |
| 2X2      | XAD-4R       | 2.50         | 7.90  | 11.20 | 2X12     | XAD-24R      | 27.50        | 32.90 | 36.20 |
| 2X3      | XAD-6R       | 5.00         | 10.40 | 13.70 | 2X13     | XAD-26R      | 30.00        | 35.40 | 38.70 |
| 2X4      | XAD-8R       | 7.50         | 12.90 | 16.20 | 2X14     | XAD-28R      | 32.50        | 37.90 | 41.20 |
| 2X5      | XAD-10R      | 10.00        | 15.40 | 18.70 | 2X15     | XAD-30R      | 35.00        | 40.40 | 43.70 |
| 2X6      | XAD-12R      | 12.50        | 17.90 | 21.20 | 2X16     | XAD-32R      | 37.50        | 42.90 | 46.20 |
| 2X7      | XAD-14R      | 15.00        | 20.40 | 23.70 | 2X17     | XAD-34R      | 40.00        | 45.40 | 48.70 |
| 2X8      | XAD-16R      | 17.50        | 22.90 | 26.20 | 2X18     | XAD-36R      | 42.50        | 47.90 | 51.20 |
| 2X9      | XAD-18R      | 20.00        | 25.40 | 28.70 | 2X19     | XAD-38R      | 45.00        | 50.40 | 53.70 |
| 2X10     | XAD-20R      | 22.50        | 27.90 | 31.20 | 2X20     | XAD-40R      | 47.50        | 52.90 | 56.20 |
| 2X11     | XAD-22R      | 25.00        | 30.40 | 33.70 |          |              |              |       |       |

|                                       |              |   |   |
|---------------------------------------|--------------|---|---|
| GENERAL TOLERANCES (UNLESS SPECIFIED) |              | ZHE JIANG DELI CONNECTORS CO., LTD      |   |
| .X: ± 0.25                            | X°: ± 3.0°   | PRODUCT NAME:<br><b>DL25034 (XAD)-R</b> | TITLE:<br>2.50 mm Pitch<br>Wire To Wire Housing |
| .XX: ± 0.15                           | .X°: ± 2.0°  | DR: Yuan Jun Rong                       | DATE: 21/12/30                                  |
| .XXX: ± 0.01                          | .XX°: ± 1.0° | DATE: 21/12/30                          | PART NO:  |
| FINISH:                               |              | CHKD: Wu Hui                            | DATE: 21/12/30                                  |
| DRAWING NO:                           |              | APPD: Ren An De                         | DATE: 21/12/30                                  |
|                                       |              |   | SCALE: N/A                                      |
|                                       |              |   | PAGE: 1/1                                       |
|                                       |              |   | UNITS: mm                                       |
|                                       |              |   | REV.: A   |

| REV. | REVISION DESCRIPTION | DATE | APPD |
|------|----------------------|------|------|
|      |                      |      |      |

### NOTES

Available in 04 through 40 Circuits.  
Mates with DL25034-Y Series Housing.  
Material : Nylon UL94-V0(2).  
Green Material RoHS Compliant.



| Circuits | Product name | Dimension mm |       | Circuits | Product name | Dimension mm |       |
|----------|--------------|--------------|-------|----------|--------------|--------------|-------|
|          |              | A            | B     |          |              | A            | B     |
| 2x2      | XAD-4S       | 2.50         | 8.10  | 2x10     | XAD-20S      | 22.50        | 28.10 |
| 2x3      | XAD-6S       | 5.00         | 10.60 | 2x11     | XAD-22S      | 25.00        | 30.60 |
| 2x4      | XAD-8S       | 7.50         | 13.10 | 2x12     | XAD-24S      | 27.50        | 33.10 |
| 2x5      | XAD-10S      | 10.00        | 15.60 | 2x13     | XAD-26S      | 30.00        | 35.60 |
| 2x6      | XAD-12S      | 12.50        | 18.10 | 2x14     | XAD-28S      | 32.50        | 38.10 |
| 2x7      | XAD-14S      | 15.00        | 20.60 | 2x15     | XAD-30S      | 35.00        | 40.60 |
| 2x8      | XAD-16S      | 17.50        | 23.10 | -        | -            | -            | -     |
| 2x9      | XAD-18S      | 20.00        | 25.60 | 2x20     | XAD-40S      | 47.50        | 53.10 |

| GENERAL TOLERANCES<br>(UNLESS SPECIFIED) |              |                                  |  | ZHE JIANG DELI CONNECTORS CO., LTD |  |            |           |
|--|--------------|----------------------------------|--|------------------------------------|--|------------|-----------|
| .X: ± 0.25                               | X°: ± 3.0°   | PRODUCT NAME:<br>DL25034 (XAD)-S |  | TITLE:<br>2.50 mm Pitch Housing    |  |            |           |
| .XX: ± 0.15                              | .X°: ± 2.0°  | DR: Chen Quan Long               |  | DATE: 19/08/01                     |  | PART NO:   |           |
| .XXX: ± 0.01                             | .XX°: ± 1.0° | CHKD: Wu Hui                     |  | DATE: 19/08/01                     |  | SCALE: N/A | PAGE: 1/1 |
| FINISH:                                  |              | APPD: Ren An De                  |  | DATE: 19/08/01                     |  | UNITS: mm  | REV.: A   |

| REV. | REVISION DESCRIPTION | DATE | APPD |
|------|----------------------|------|------|
|      |                      |      |      |



技术特性/Specifications:

额定电压Rated voltage :250V AC.DC.  
 额定电流Rated current :3A AC.DC.  
 接触电阻Contact resistance:20MΩ MAX  
 绝缘电阻Insulation resistance: 1000 MΩ MIN  
 耐压Withstand voltage:1000V AC/minute  
 环境温度Ambient temperature: -40℃~+105℃  
 适用线规 Wire range: AWG#28~#20

材料/Materials:

端子Terminal: 磷青铜Phosphor bronze ,  
 镀锡Tin plated



SECTION A-A



SECTION B-B



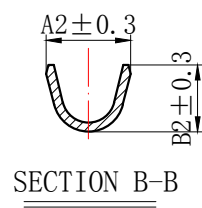
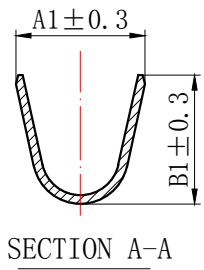
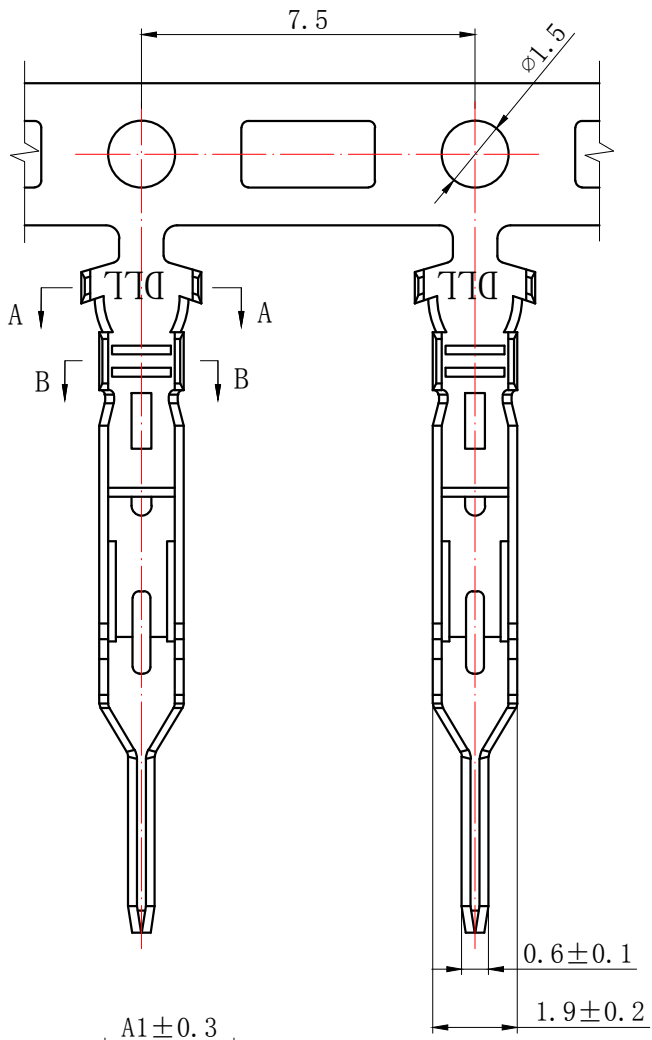
SECTION C-C

| Product name | Dimension (mm) |     |     |     | Applicable wire | Insulation O. D. (mm) |
|--------------|----------------|-----|-----|-----|-----------------|-----------------------|
|              | A1             | B1  | A2  | B2  |                 |                       |
| DL25018-T    | 2.9            | 3.0 | 1.9 | 1.6 | AWG#28-22       | 1.9mm Max             |
| DL25018-T-G  | 2.9            | 3.0 | 2.3 | 2.1 | AWG#24-20       | 1.9mm Max             |

| GENERAL TOLERANCES (UNLESS SPECIFIED) |              |                            |  | ZHE JIANG DELI CONNECTORS CO., LTD        |         |               |           |
|---------------------------------------|--------------|----------------------------|--|---|---------|---------------|-----------|
| .X: ± 0.25                            | X°: ± 3.0°   | PRODUCT NAME:<br>DL25018-T |  | TITLE:<br>2.50 mm Pitch<br>Crimp Terminal |         |               |           |
| .XX: ± 0.15                           | .X°: ± 2.0°  | DR: Yuan Jun Rong          |  | DATE:21/12/30                             |         | PART NO:      |           |
| .XXX: ± 0.01                          | .XX°: ± 1.0° | FINISH:                    |  | CHKD: Wu Hui                              |         | DATE:21/12/30 |           |
| DRAWING NO:                           |              | APPD:Ren An De             |  | DATE:21/12/30                             |         | SCALE: N/A    | PAGE: 1/1 |
|                                       |              |                            |  | UNITS: mm                                 | REV.: A |               |           |



| REV. | REVISION DESCRIPTION | DATE | APPD |
|------|----------------------|------|------|
|      |                      |      |      |



技术特性/Specifications:

额定电压 Rated voltage : 250V AC.DC.  
 额定电流 Rated current : 3A AC.DC.  
 接触电阻 Contact resistance: 20MΩ MAX  
 绝缘电阻 Insulation resistance: 500 MΩ MIN  
 耐压 Withstand voltage: 1500V AC/minute  
 环境温度 Ambient temperature: -40℃ ~ +105℃  
 适用线规 Wire range: AWG#28 ~ #20  
 材料/Materials:  
 端子 Terminal: 磷青铜 Phosphor bronze ,  
 镀锡 Tin plated

| Product name | Dimension (mm) |     |     |     | Applicable wire | Insulation O.D. (mm) |
|--------------|----------------|-----|-----|-----|-----------------|----------------------|
|              | A1             | B1  | A2  | B2  |                 |                      |
| DL25018-RT   | 2.9            | 2.9 | 1.9 | 1.5 | AWG#28-22       | 1.9mm Max            |
| DL25018-RT-G | 2.9            | 2.9 | 2.2 | 2.1 | AWG#24-20       | 1.9mm Max            |

|                                       |              |                                    |  |
|---------------------------------------|--------------|------------------------------------|--|
| GENERAL TOLERANCES (UNLESS SPECIFIED) |              | ZHE JIANG DELI CONNECTORS CO., LTD |  |
| .X: ± 0.25                            | X°: ± 3.0°   | PRODUCT NAME:                      | TITLE:                                 |
| .XX: ± 0.15                           | .X°: ± 2.0°  | DL25018-RT                         | 2.50 mm Pitch<br>Wire To Wire Terminal |
| .XXX: ± 0.01                          | .XX°: ± 1.0° | DR: Yuan Jun Rong                  | DATE: 21/12/30                         |
| FINISH:                               |              | CHKD: Wu Hui                       | DATE: 21/12/30                         |
| DRAWING NO:                           |              | APPD: Ren An De                    | DATE: 21/12/30                         |
|                                       |              |                                    | PART NO:                               |
|                                       |              |                                    | SCALE: N/A                             |
|                                       |              |                                    | PAGE: 1/1                              |
|                                       |              |                                    | UNITS: mm                              |
|                                       |              |                                    | REV.: A                                |

## X-ON Electronics

Largest Supplier of Electrical and Electronic Components

*Click to view similar products for [Headers & Wire Housings](#) category:*

*Click to view products by [DLL](#) manufacturer:*

Other Similar products are found below :

[0015917161](#) [0022155065](#) [57102-F02-18ULF](#) [58102-G61-06LF](#) [582553-1](#) [01.001.5753.1](#) [0050291907](#) [02.125.8002.8](#) [609-3404](#) [61062-3](#)  
[CSU011177004](#) [622-0430](#) [622-3653LF](#) [63453-116](#) [636-1030](#) [636-1427](#) [636-3427](#) [636-4007](#) [641938-9](#) [65495-038](#) [65692-001LF](#) [65781-018](#)  
[65781-047](#) [65817-010LF](#) [65817-015LF](#) [67095-007LF](#) [67601157](#) [68631-112](#) [68645-018](#) [699319-000](#) [70.362.1628.0](#) [70-4210](#) [70-4226B](#) [70-](#)  
[4853B](#) [71.350.2428.0](#) [733-134](#) [733-162](#) [760-3052](#) [MHR-64-VUAL](#) [80.063.4001.1](#) [800-90-001-10-001000](#) [801-43-002-10-013000](#)  
[801-43-006-10-002000](#) [803-43-024-10-001000](#) [803-93-012-10-001000](#) [8-1437020-4](#) [819-22-004-30-001101](#) [820-22-006-30-001101](#)  
[820-22-008-30-001101](#) [821-22-002-10-001101](#)