

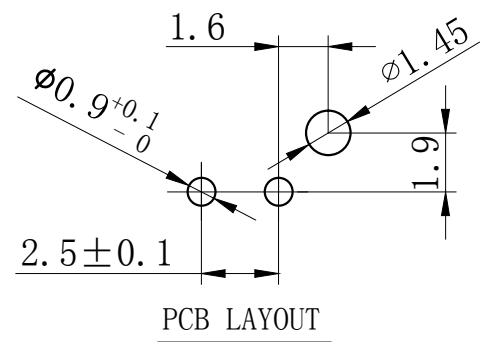
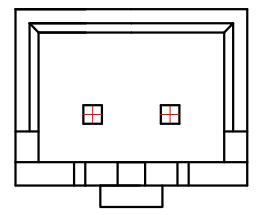
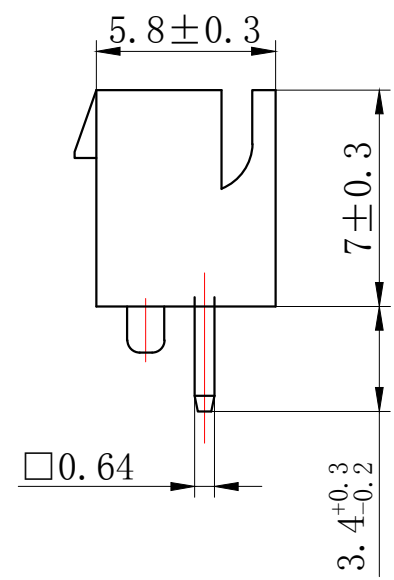
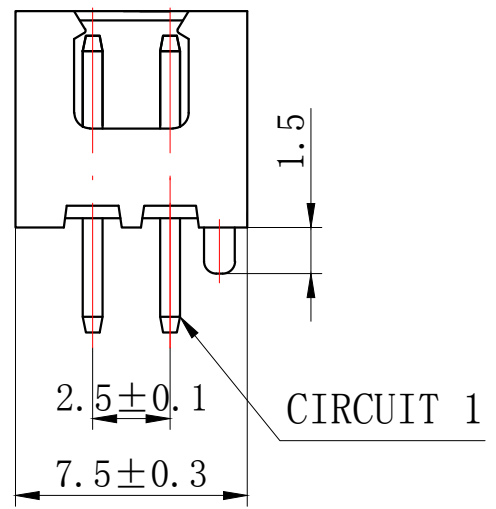
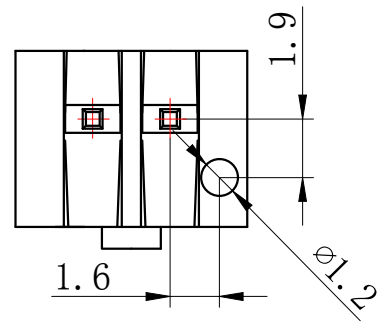
技术特性/Specifications:

额定电压 Rated voltage: 250V AC, DC
额定电流 Rated current: 3A AC, DC
接触电阻 Contact resistance: 20m Ω max
绝缘电阻 Insulation resistance: 1000M Ω min
耐压 Withstand voltage: 1000V AC/minute
环境温度 Ambient temperature: -40 $^{\circ}$ C~+105 $^{\circ}$ C
适用线规 Wire range: AWG#28~#20

| REV. | REVISION DESCRIPTION | DATE | APPD |
|------|----------------------|------|------|
| | | | |

NOTES

Available in 02 Circuits.
Mates with DL25026-Y Series Housing.
Material : Nylon UL94V-0(2).
0.64mm Square Pin.
Pin Material : Brass / Tin-Plated.

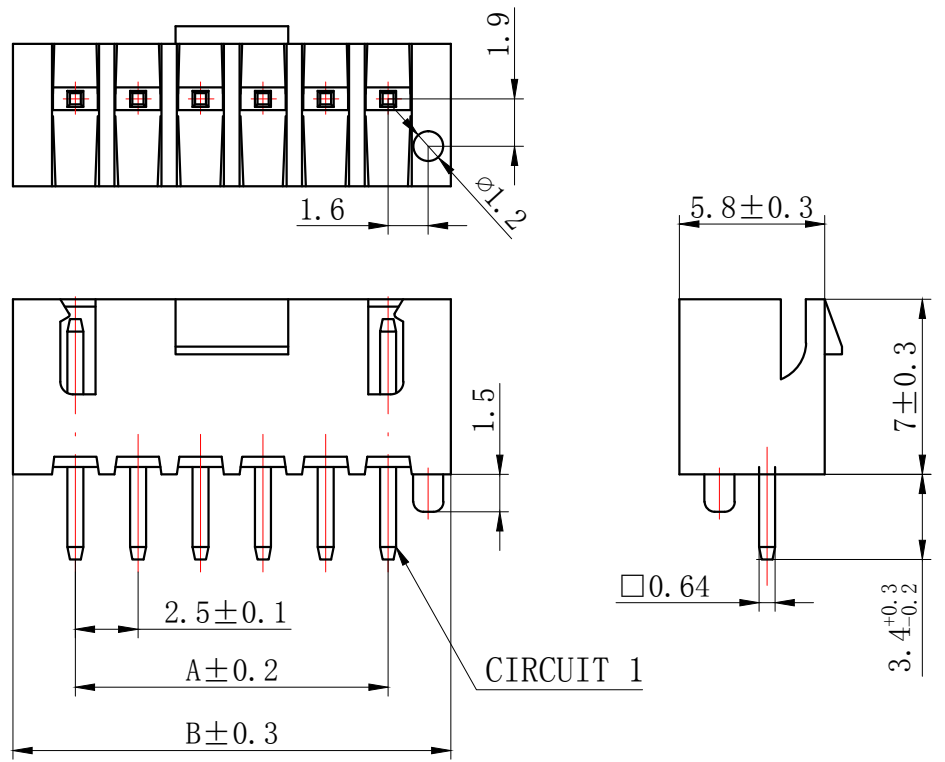
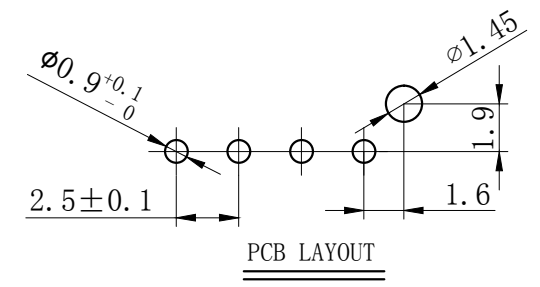


| GENERAL TOLERANCES (UNLESS SPECIFIED) | | ZHE JIANG DELI CONNECTORS CO., LTD | |
|---------------------------------------|-------------|------------------------------------|--|
| .X: ±0.25 | X°: ±3.0° | PRODUCT NAME: | TITLE: 2.50 mm Pitch Wire To Board Wafer |
| .XX: ±0.15 | .X°: ±2.0° | DL25026 (XHDH)-2AS | |
| .XXX: ±0.01 | .XX°: ±1.0° | DR: Chen Quan Long | DATE:19/08/01 |
| FINISH: | | CHKD: Wu Hui | DATE:19/08/01 |
| DRAWING NO: | | APPD: Ren An De | DATE:19/08/01 |
| | | | SCALE: N/A |
| | | | PAGE: 1/1 |
| | | | UNITS: mm |
| | | | REV.: A |

| REV. | REVISION DESCRIPTION | DATE | APPD |
|------|----------------------|------|------|
| | | | |

NOTES

Available in 03 through 20 Circuits.
 Mates with DL25026-Y Series Housing.
 Material : Nylon UL94V-0(2).
 0.64mm Square Pin.
 Pin Material : Brass / Tin-Plated.



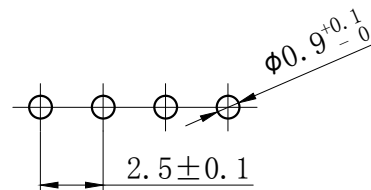
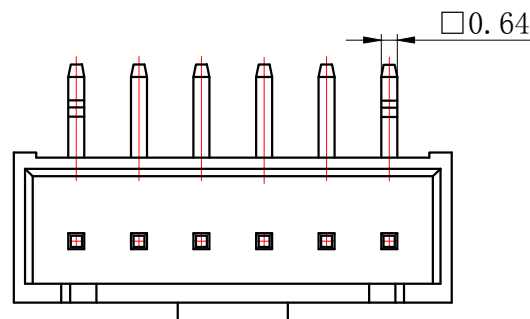
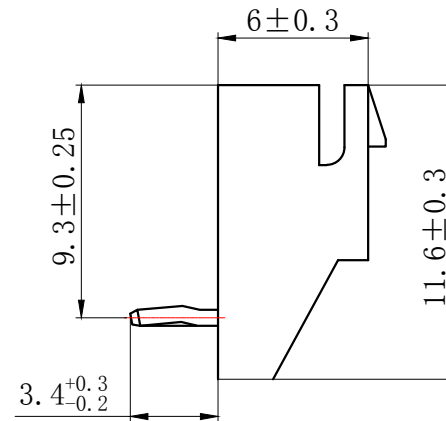
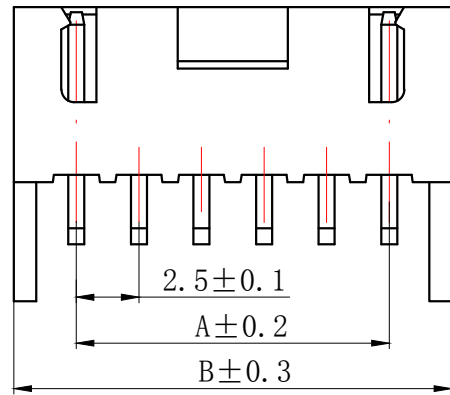
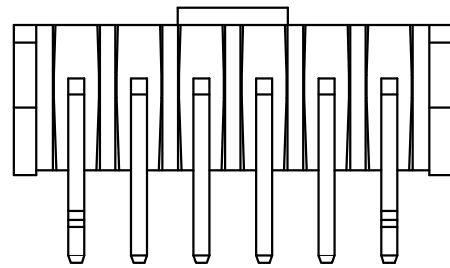
| Circuits | Product name | Dimension mm | | Circuits | Product name | Dimension mm | |
|----------|--------------|--------------|-------|----------|--------------|--------------|-------|
| | | A | B | | | A | B |
| 3 | XHDH-3AS | 5.00 | 10.00 | 10 | XHDH-10AS | 22.50 | 27.50 |
| 4 | XHDH-4AS | 7.50 | 12.50 | 11 | XHDH-11AS | 25.00 | 30.00 |
| 5 | XHDH-5AS | 10.00 | 15.00 | 12 | XHDH-12AS | 27.50 | 32.50 |
| 6 | XHDH-6AS | 12.50 | 17.50 | 13 | XHDH-13AS | 30.00 | 35.00 |
| 7 | XHDH-7AS | 15.00 | 20.00 | 14 | XHDH-14AS | 32.50 | 37.50 |
| 8 | XHDH-8AS | 17.50 | 22.50 | - | - | - | - |
| 9 | XHDH-9AS | 20.00 | 25.00 | 20 | XHDH-20AS | 47.5 | 52.5 |

| | | | |
|--|-------------|------------------------------------|--|
| GENERAL TOLERANCES (UNLESS SPECIFIED) | | ZHE JIANG DELI CONNECTORS CO., LTD | |
| .X: ±0.25 | X°: ±3.0° | PRODUCT NAME: DL25026 (XHDH)-AS | TITLE: 2.50 mm Pitch Wire To Board Wafer |
| .XX: ±0.15 | .X°: ±2.0° | DR: Chen Quan Long | DATE: 19/08/01 |
| .XXX: ±0.01 | .XX°: ±1.0° | CHKD: Wu Hui | DATE: 19/08/01 |
| FINISH: | | APPD: Ren An De | DATE: 19/08/01 |
| DRAWING NO: | | | |
| | | PART NO: | SCALE: N/A |
| | | UNITS: mm | PAGE: 1/1 |
| | | REV.: | A |

| REV. | REVISION DESCRIPTION | DATE | APPD |
|------|----------------------|------|------|
| | | | |

NOTES

Available in 03 through 20 Circuits.
 Mates with DL25026-Y Series Housing.
 Material : Nylon UL94V-0(2).
 0.64mm Square Pin.
 Pin Material : Brass / Tin-Plated.



PCB LAYOUT

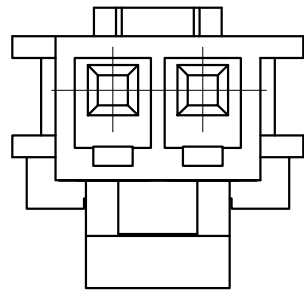
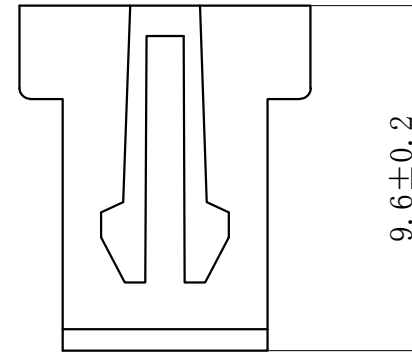
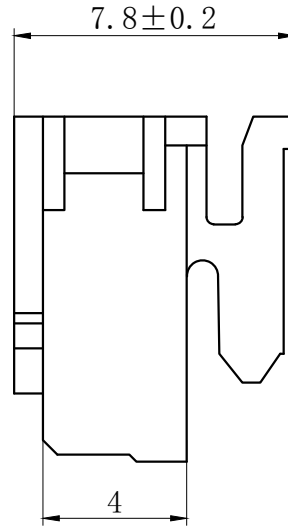
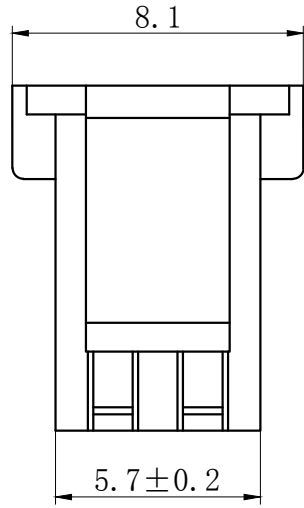
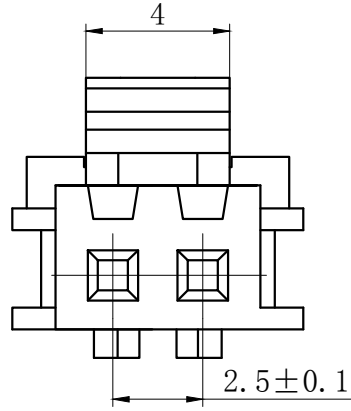
| Circuits | Product name | Dimension mm | | Circuits | Product name | Dimension mm | |
|----------|--------------|--------------|-------|----------|--------------|--------------|-------|
| | | A | B | | | A | B |
| 3 | XHDH-3AWF | 5.00 | 10.00 | 10 | XHDH-10AWF | 22.50 | 27.50 |
| 4 | XHDH-4AWF | 7.50 | 12.50 | 11 | XHDH-11AWF | 25.00 | 30.00 |
| 5 | XHDH-5AWF | 10.00 | 15.00 | 12 | XHDH-12AWF | 27.50 | 32.50 |
| 6 | XHDH-6AWF | 12.50 | 17.50 | 13 | XHDH-13AWF | 30.00 | 35.00 |
| 7 | XHDH-7AWF | 15.00 | 20.00 | 14 | XHDH-14AWF | 32.50 | 37.50 |
| 8 | XHDH-8AWF | 17.50 | 22.50 | - | - | - | - |
| 9 | XHDH-9AWF | 20.00 | 25.00 | 20 | XHDH-20AWF | 47.5 | 52.5 |

| GENERAL TOLERANCES (UNLESS SPECIFIED) | | ZHE JIANG DELI CONNECTORS CO., LTD | | |
|--|-------------|------------------------------------|---|-----------|
| .X: ±0.25 | X°: ±3.0° | PRODUCT NAME: | TITLE: 2.50 mm Pitch Wire To Board Wafer | |
| .XX: ±0.15 | .X°: ±2.0° | DL25026 (XHDH)-AWF | | |
| .XXX: ±0.01 | .XX°: ±1.0° | DR: Chen Quan Long | DATE: 19/08/01 | |
| FINISH: | | CHKD: Wu Hui | DATE: 19/08/01 | |
| DRAWING NO: | | APPD: Ren An De | DATE: 19/08/01 | |
| | | | PART NO: | |
| | | | SCALE: N/A | PAGE: 1/1 |
| | | | UNITS: mm | REV.: A |

| REV. | REVISION DESCRIPTION | DATE | APPD |
|------|----------------------|------|------|
| | | | |

NOTES

Available in 02 Circuits.
 Match with DL25026 series housing
 Material : Nylon UL94V-0(2).
 Accepts DL25026-T Crimp Terminal.



| GENERAL TOLERANCES (UNLESS SPECIFIED) | | ZHE JIANG DELI CONNECTORS CO., LTD | |
|--|--------------|------------------------------------|---------------------------------|
| .X: ± 0.25 | X°: ± 3.0° | PRODUCT NAME: DL25026 (XHDH)-2Y | TITLE: 2.50 mm Pitch Housing |
| .XX: ± 0.15 | .X°: ± 2.0° | DR: Chen Quan Long | DATE: 19/08/01 |
| .XXX: ± 0.01 | .XX°: ± 1.0° | CHKD: Wu Hui | DATE: 19/08/01 |
| FINISH: _____ | | APPD: Ren An De | DATE: 19/08/01 |
| DRAWING NO: _____ | | SCALE: N/A | PAGE: 1/1 |
| | | UNITS: mm | REV.: A |

| REV. | REVISION DESCRIPTION | DATE | APPD |
|------|----------------------|------|------|
| | | | |

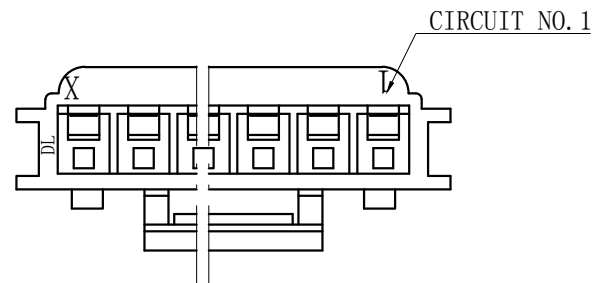
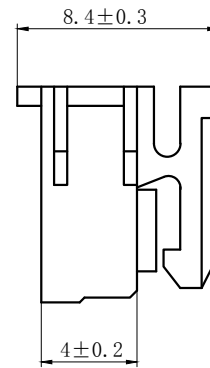
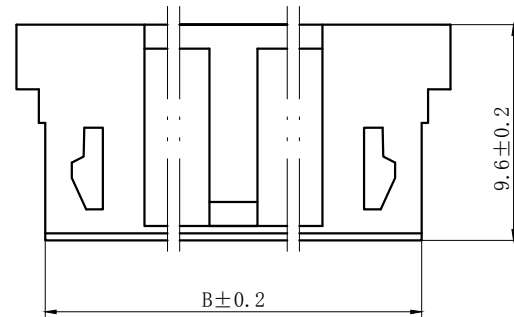
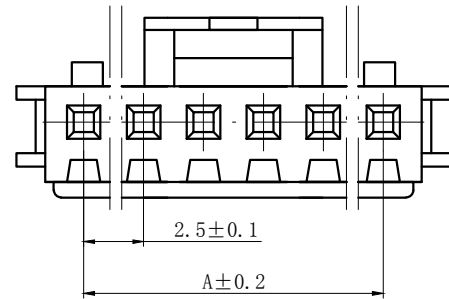
NOTES

Available in 03 through 20 Circuits.

Match with DL25026 series housing

Material : Nylon UL94V-0(2).

Accepts DL25026-T Crimp Terminal.



| Circuits | Product name | Dimension mm | | Circuits | Product name | Dimension mm | |
|----------|--------------|--------------|-------|----------|--------------|--------------|-------|
| | | A | B | | | A | B |
| 3 | XHDH-3Y | 5.00 | 8.20 | 10 | XHDH-10Y | 22.50 | 25.70 |
| 4 | XHDH-4Y | 7.50 | 10.70 | 11 | XHDH-11Y | 25.00 | 28.20 |
| 5 | XHDH-5Y | 10.00 | 13.20 | 12 | XHDH-12Y | 27.50 | 30.70 |
| 6 | XHDH-6Y | 12.50 | 15.70 | 13 | XHDH-13Y | 30.00 | 33.20 |
| 7 | XHDH-7Y | 15.00 | 18.20 | 14 | XHDH-14Y | 32.50 | 35.70 |
| 8 | XHDH-8Y | 17.50 | 20.70 | - | - | - | - |
| 9 | XHDH-9Y | 20.00 | 23.20 | 20 | XHDH-20Y | 47.50 | 50.70 |

| GENERAL TOLERANCES (UNLESS SPECIFIED) | | | | ZHE JIANG DELI CONNECTORS CO., LTD | | | |
|--|--------------|-----------------------------------|--|------------------------------------|--|------------|-----------|
| .X: ± 0.25 | X°: ± 3.0° | PRODUCT NAME: DL25026 (XHDH)-Y | | TITLE: 2.50 mm Pitch Housing | | | |
| .XX: ± 0.15 | .X°: ± 2.0° | DR: Chen Quan Long | | DATE: 19/08/01 | | PART NO: | |
| .XXX: ± 0.01 | .XX°: ± 1.0° | CHKD: Wu Hui | | DATE: 19/08/01 | | SCALE: N/A | PAGE: 1/1 |
| DRAWING NO: | | APPD: Ren An De | | DATE: 19/08/01 | | UNITS: mm | REV.: A |

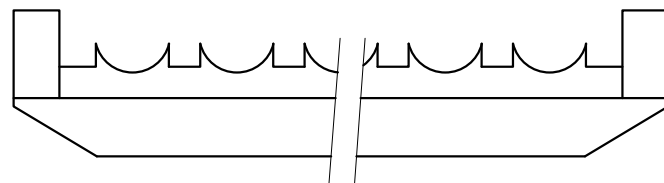
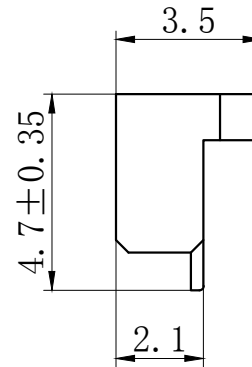
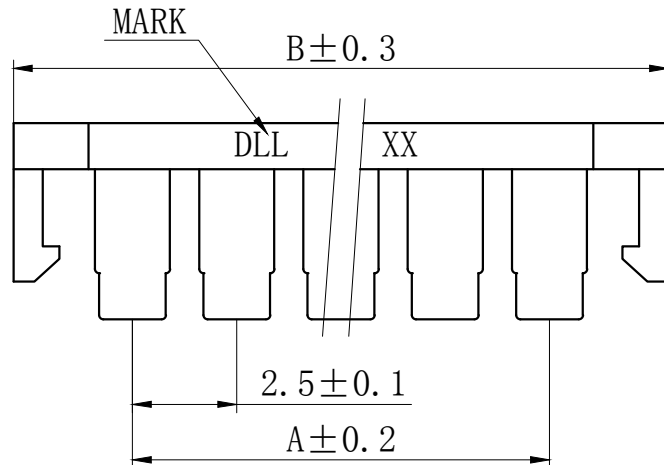
| | | | |
|------|----------------------|------|------|
| REV. | REVISION DESCRIPTION | DATE | APPD |
| | | | |

NOTES

Available in 02 through 20 Circuits.

Mates with DL25026-Y Series Housing.

Material : Nylon UL94V-0(2).



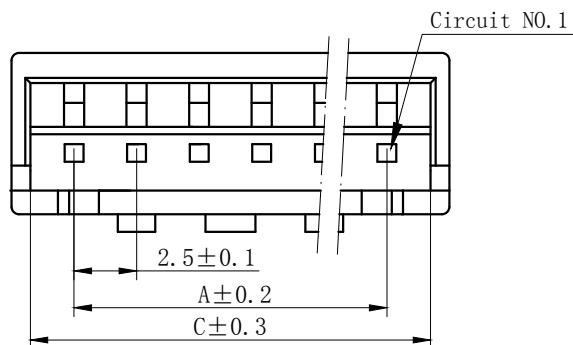
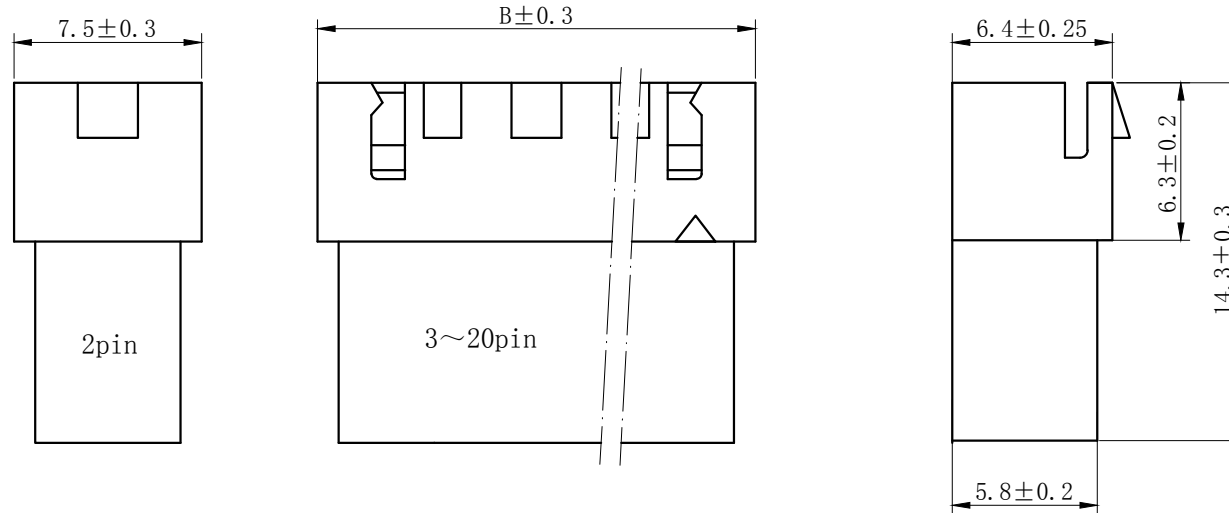
| Circuits | Product name | Dimension mm | | Circuits | Product name | Dimension mm | |
|----------|--------------|--------------|------|----------|--------------|--------------|------|
| | | A | B | | | A | B |
| 2 | XHDH-2S | 2.5 | 8.2 | 9 | XHDH-9S | 20.0 | 25.7 |
| 3 | XHDH-3S | 5.0 | 10.7 | 10 | XHDH-10S | 22.5 | 28.2 |
| 4 | XHDH-4S | 7.5 | 13.2 | 11 | XHDH-11S | 25.0 | 30.7 |
| 5 | XHDH-5S | 10.0 | 15.7 | 12 | XHDH-12S | 27.5 | 33.2 |
| 6 | XHDH-6S | 12.5 | 18.2 | 13 | XHDH-13S | 30.0 | 35.7 |
| 7 | XHDH-7S | 15.0 | 20.7 | - | - | - | - |
| 8 | XHDH-8S | 17.5 | 23.2 | 20 | XHDH-20S | 47.5 | 53.2 |

| | | | | | | | |
|--|-------------|-----------------------------------|--|------------------------------------|--|-----------|--|
| GENERAL TOLERANCES (UNLESS SPECIFIED) | | | | ZHE JIANG DELI CONNECTORS CO., LTD | | | |
| .X: ±0.25 | X°: ±3.0° | PRODUCT NAME: DL25026 (XHDH)-S | | TITLE: 2.50 mm Pitch Retainer | | | |
| .XX: ±0.15 | .X°: ±2.0° | DR: Chen Quan Long | | DATE: 19/08/01 | | | |
| .XXX: ±0.01 | .XX°: ±1.0° | CHKD: Wu Hui | | DATE: 19/08/01 | | | |
| FINISH: _____ | | APPD: Ren An De | | DATE: 19/08/01 | | PART NO: | |
| DRAWING NO: | | | | SCALE: N/A | | PAGE: 1/1 | |
| | | | | UNITS: mm | | REV.: B | |

| REV. | REVISION DESCRIPTION | DATE | APPD |
|------|----------------------|------|------|
| | | | |

NOTES

Available in 02 through 20 Circuits.
 Match with DL25026-Y series housing
 Material : Nylon UL94V-0(2).
 Accepts DL25026-RT Crimp Terminal.



| Circuits | Product name | Dimension mm | | | Circuits | Product name | Dimension mm | | |
|----------|--------------|--------------|-------|-------|----------|--------------|--------------|-------|-------|
| | | A | B | C | | | A | B | C |
| 2 | XHDH-2R | 2.50 | 7.50 | 6.00 | 10 | XHDH-10R | 22.50 | 27.50 | 26.00 |
| 3 | XHDH-3R | 5.00 | 10.00 | 8.50 | 11 | XHDH-11R | 25.00 | 30.00 | 28.50 |
| 4 | XHDH-4R | 7.50 | 12.50 | 11.00 | 12 | XHDH-12R | 27.50 | 32.50 | 31.00 |
| 5 | XHDH-5R | 10.00 | 15.00 | 13.50 | 13 | XHDH-13R | 30.00 | 35.00 | 33.50 |
| 6 | XHDH-6R | 12.50 | 17.50 | 16.00 | 14 | XHDH-14R | 32.50 | 37.50 | 36.00 |
| 7 | XHDH-7R | 15.00 | 20.00 | 18.50 | 15 | XHDH-15R | 35.00 | 40.00 | 38.50 |
| 8 | XHDH-8R | 17.50 | 22.50 | 21.00 | - | - | - | - | - |
| 9 | XHDH-9R | 20.00 | 25.00 | 23.50 | 20 | XHDH-20R | 47.50 | 52.50 | 51.00 |

| GENERAL TOLERANCES (UNLESS SPECIFIED) | | ZHE JIANG DELI CONNECTORS CO., LTD | |
|--|-----------------------|---|----------------|
| .X: ± 0.25 | X°: $\pm 3.0^\circ$ | PRODUCT NAME: DL25026 (XHDH)-R | |
| .XX: ± 0.15 | .X°: $\pm 2.0^\circ$ | TITLE: 2.50 mm Pitch Wire To Wire Housing | |
| .XXX: ± 0.01 | .XX°: $\pm 1.0^\circ$ | DR: Chen Quan Long | DATE: 20/12/30 |
| FINISH: _____ | | CHKD: Wu Hui | DATE: 20/12/30 |
| DRAWING NO: _____ | | APPD: Ren An De | DATE: 20/12/30 |
| | | SCALE: N/A | PAGE: 1/1 |
| | | UNITS: mm | REV.: A |

1

2

3

4

5

6

7

8

| REV. | REVISION DESCRIPTION | DATE | APPD |
|------|----------------------|------|------|
| | | | |

A

A

B

B

C

C

D

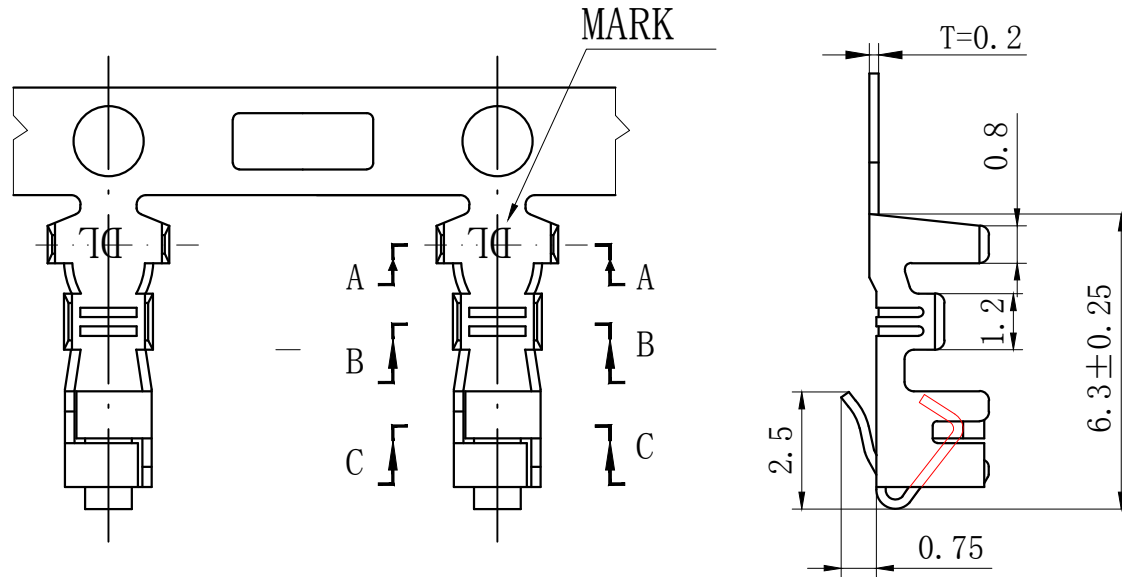
D

E

E

F

F



NOTES

Used in DL25001-Y Series Housing.
Accepts AWG #28~22 Wire Range.

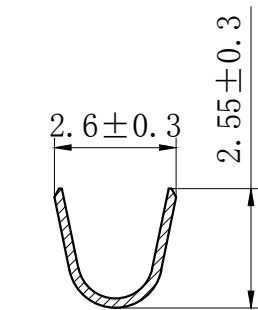
0.08~ 0.33 mm² .

Insulation O.D.=1.2~1.9 mm.

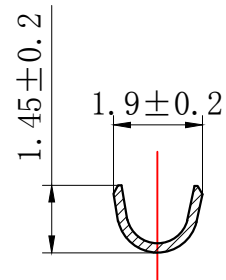
Material : Phosphor Bronze .

Finish: Tin plated.

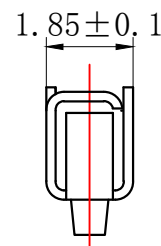
Thickness: 0.2 mm.



SECTION A-A



SECTION B-B



SECTION C-C

| GENERAL TOLERANCES (UNLESS SPECIFIED) | | ZHE JIANG DELI CONNECTORS CO., LTD | |
|--|--------------|------------------------------------|---------------------------------|
| .X: ± 0.25 | X°: ± 3.0° | PRODUCT NAME: | TITLE: |
| .XX: ± 0.15 | .X°: ± 2.0° | DL25001 (TJC3)-T | 2.50 mm Pitch Crimp Terminal |
| .XXX: ± 0.01 | .XX°: ± 1.0° | DR: Chen Quan Long | DATE: 19/08/01 |
| FINISH: | | CHKD: Wu Hui | DATE: 19/08/01 |
| DRAWING NO: | | APPD: Ren An De | DATE: 19/08/01 |
| | | | PART NO: |
| | | | SCALE: N/A |
| | | | PAGE: 1/1 |
| | | | UNITS: mm |
| | | | REV.: A |

1

2

3

4

5

6

7

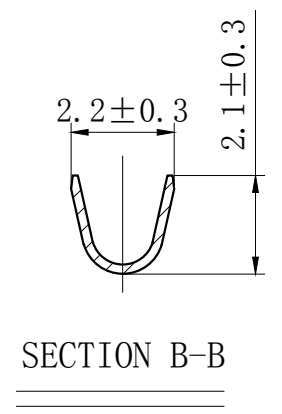
8

| REV. | REVISION DESCRIPTION | DATE | APPD |
|------|----------------------|------|------|
| | | | |



NOTES

Used in DL25001-Y Series Housing.
 Accepts AWG #24~20 Wire Range.
 Material : Phosphor Bronze .
 Finish: Tin plated.
 Thickness: 0.2 mm.



| GENERAL TOLERANCES (UNLESS SPECIFIED) | | ZHE JIANG DELI CONNECTORS CO., LTD | |
|--|---------------|---|---|
| .X: ± 0.25 | X° : ± 3.0° | PRODUCT NAME: DL25001(TJC3)-T-G | TITLE: 2.50 mm Pitch Crimp Terminal |
| .XX: ± 0.15 | .X° : ± 2.0° | DR: Chen Quan Long | DATE: 19/08/01 |
| .XXX: ± 0.01 | .XX° : ± 1.0° | CHKD: Wu Hui | DATE: 19/08/01 |
| FINISH: | | APPD: Ren An De | DATE: 19/08/01 |
| DRAWING NO: | | | |
| | | | PART NO: |
| | | | SCALE: N/A |
| | | | PAGE: 1/1 |
| | | | UNITS: mm |
| | | | REV.: A |

| REV. | REVISION DESCRIPTION | DATE | APPD |
|------|----------------------|------|------|
| | | | |

NOTES

Used in DL25002-R Series Housing.
Accepts AWG #28~22 Wire Range.

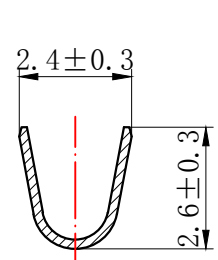
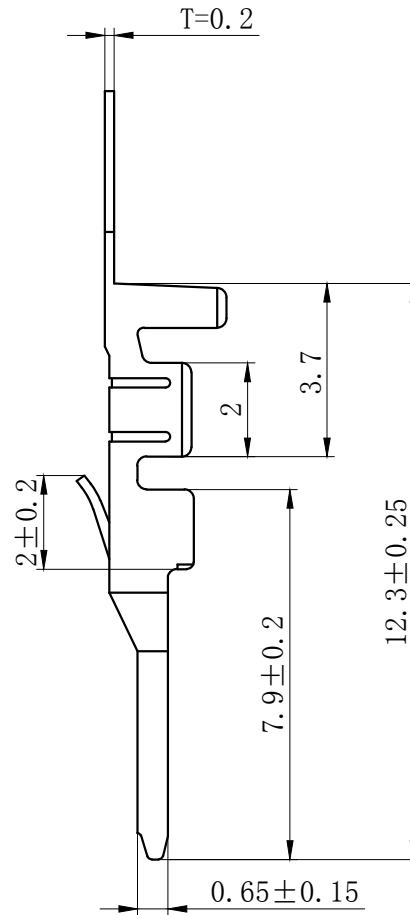
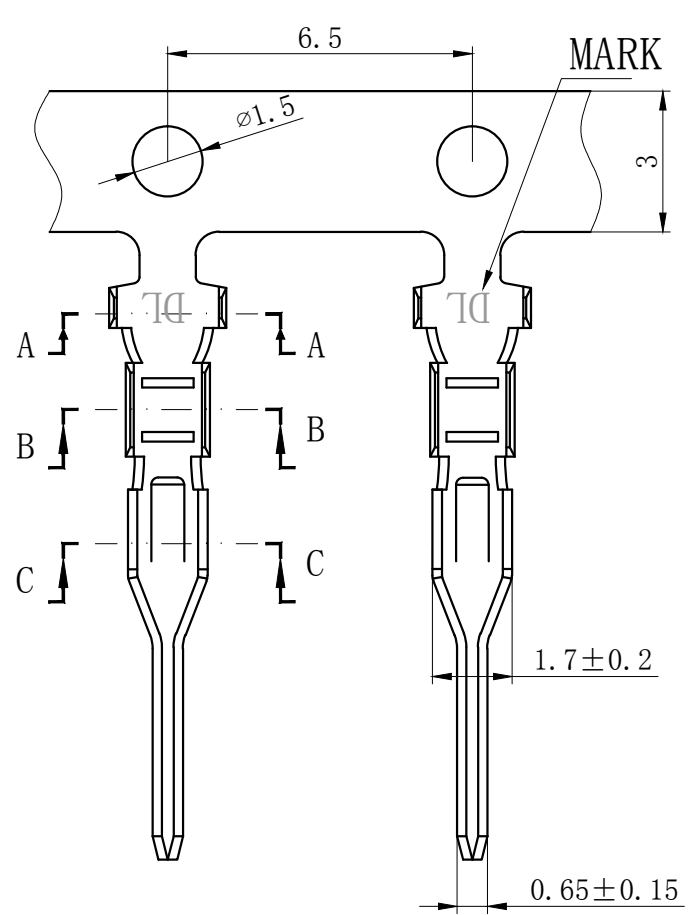
0.08~ 0.33 mm² .

Insulation O.D. =1.2~1.9 mm.

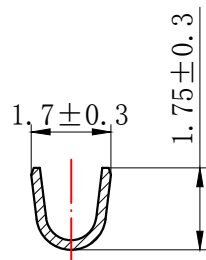
Material : Phosphor Bronze .

Finish: Tin plated.

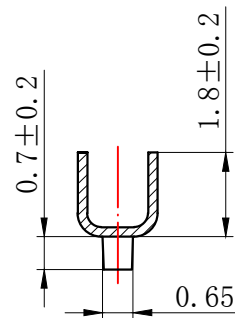
Thickness: 0.2 mm.



SECTION A-A



SECTION B-B



SECTION C-C

| GENERAL TOLERANCES (UNLESS SPECIFIED) | | | | ZHE JIANG DELI CONNECTORS CO., LTD | | | |
|--|--------------|-------------------------------------|----------------|--|-----------|--|--|
| .X: ± 0.25 | X°: ± 3.0° | PRODUCT NAME: DL25002 (TJC3B)-RT | | TITLE: 2.50 mm Pitch Wire To Wire Terminal | | | |
| .XX: ± 0.15 | .X°: ± 2.0° | DR: Chen Quan Long | DATE: 20/12/30 | PART NO: | | | |
| .XXX: ± 0.01 | .XX°: ± 1.0° | CHKD: Wu Hui | DATE: 20/12/30 | SCALE: N/A | PAGE: 1/1 | | |
| DRAWING NO: | | APPD: Ren An De | DATE: 20/12/30 | UNITS: mm | REV.: A | | |

X-ON Electronics

Largest Supplier of Electrical and Electronic Components

Click to view similar products for [Headers & Wire Housings](#) category:

Click to view products by [DLL](#) manufacturer:

Other Similar products are found below :

[0015917161](#) [0022155065](#) [57102-F02-18ULF](#) [58102-G61-06LF](#) [582553-1](#) [01.001.5753.1](#) [0050291907](#) [02.125.8002.8](#) [609-3404](#) [61062-3](#)
[CSU011177004](#) [622-0430](#) [622-3653LF](#) [63453-116](#) [636-1030](#) [636-1427](#) [636-3427](#) [636-4007](#) [641938-9](#) [65495-038](#) [65692-001LF](#) [65781-018](#)
[65781-047](#) [65817-010LF](#) [65817-015LF](#) [67095-007LF](#) [67601157](#) [68631-112](#) [68645-018](#) [699319-000](#) [70.362.1628.0](#) [70-4210](#) [70-4226B](#) [70-](#)
[4853B](#) [71.350.2428.0](#) [733-134](#) [733-162](#) [MHR-64-VUAL](#) [80.063.4001.1](#) [800-90-001-10-001000](#) [801-43-002-10-013000](#) [801-43-006-10-](#)
[002000](#) [803-43-024-10-001000](#) [803-93-012-10-001000](#) [8-1437020-4](#) [819-22-004-30-001101](#) [820-22-006-30-001101](#) [820-22-008-30-001101](#)
[821-22-002-10-001101](#) [821-22-003-10-002101](#)