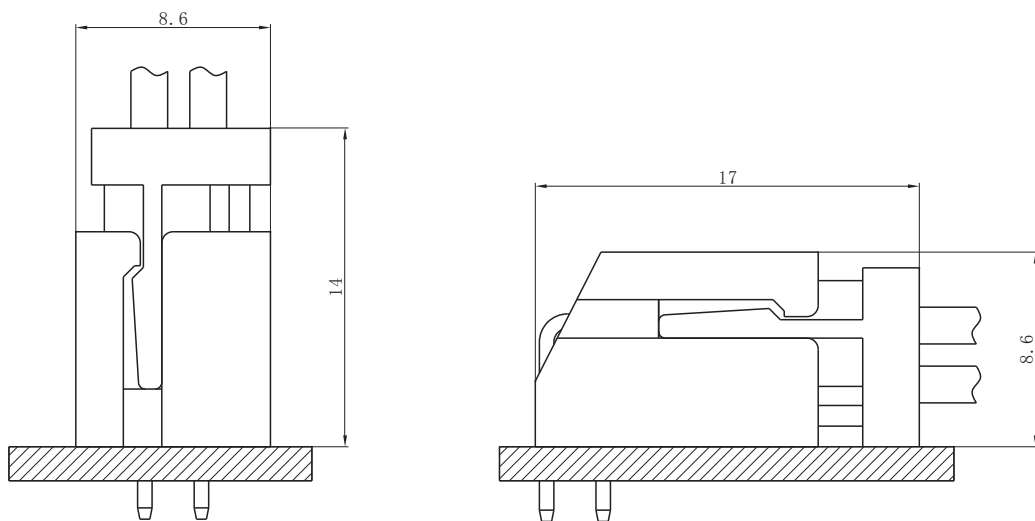


技术特性/Specifications:

额定电压 Rated voltage: 250V AC, DC
 额定电流 Rated current: 3A AC, DC
 接触电阻 Contact resistance: 30mΩ max
 绝缘电阻 Insulation resistance: 1000MΩ min
 耐压 Withstand voltage: 650V AC/minute
 环境温度 Ambient temperature: -35°C~+105°C
 适用线规 Wire range: AWG#28~#20

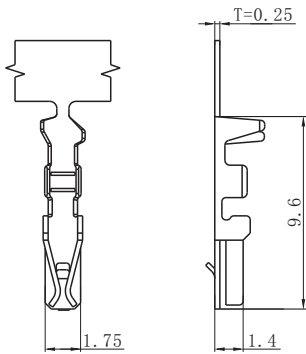
PC电路板布局和组件布局 PC board layout and Assembly layout

▣ Assembly layout (装配布局)



上图为连接器安装侧观察图
Notes: The above figure is the figure viewed from the connector mounting side.

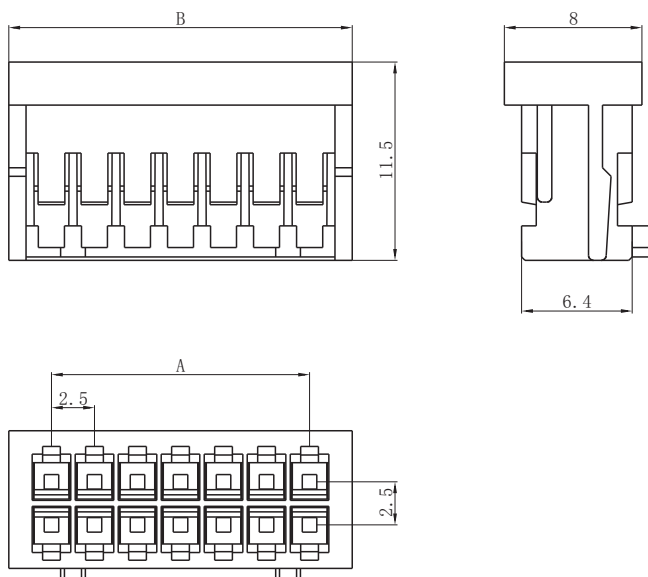
□ DL25042-T (XHY-T)



| Model No. (型号) | Applicable wire (适用线规) | | | Material (材料) | Plating (电镀) | Qty/reel (数量/盘) |
|-----------------------|------------------------|-------|--------------------------|-----------------------|-----------------|-----------------|
| | mm ² | AWG# | Insulation O.D. (绝缘外径mm) | | | |
| DL25042-T (XHY-T) | 0.08~0.20 | 28~24 | φ 0.9~1.4 | Phosphor bronze (磷青铜) | Tin Plated (镀锡) | 10000 |
| DL25042-T-G (XHY-T-G) | 0.33~0.52 | 22~20 | φ 1.7~1.9 | Phosphor bronze (磷青铜) | Tin Plated (镀锡) | 10000 |

符合RoHS标准
RoHS compliance

□ DL25042-Y (XHY-Y)



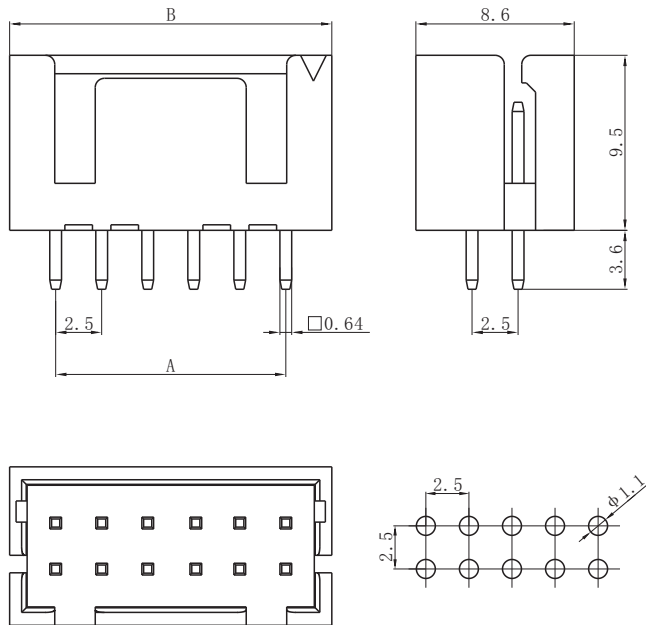
| Circuits (电路) | Product name (产品名称) | Dimensions (尺寸mm) | |
|---------------|---------------------|-------------------|-------|
| | | A | B |
| 2X2 | XHY-4Y | 2.50 | 7.50 |
| 2X3 | XHY-6Y | 5.00 | 10.00 |
| 2X4 | XHY-8Y | 7.50 | 12.50 |
| 2X5 | XHY-10Y | 10.00 | 15.00 |
| 2X6 | XHY-12Y | 12.50 | 17.50 |
| 2X7 | XHY-14Y | 15.00 | 20.00 |
| 2X8 | XHY-16Y | 17.50 | 22.50 |
| 2X9 | XHY-18Y | 20.00 | 25.00 |
| 2X10 | XHY-20Y | 22.50 | 27.50 |
| 2X11 | XHY-22Y | 25.00 | 30.00 |
| 2X12 | XHY-24Y | 27.50 | 32.50 |
| 2X13 | XHY-26Y | 30.00 | 35.00 |
| 2X14 | XHY-28Y | 32.50 | 37.50 |
| 2X15 | XHY-30Y | 35.00 | 40.00 |
| 2X16 | XHY-32Y | 37.50 | 42.50 |
| 2X17 | XHY-34Y | 40.00 | 45.00 |
| 2X18 | XHY-36Y | 42.50 | 47.50 |
| ~ | ~ | ~ | ~ |
| 2X30 | XHY-60Y | 47.50 | 52.50 |

Material (材料)

Housing (胶壳): Nylon (尼龙) UL94V-0 (2)

符合RoHS标准
RoHS compliance

□ DL25042-A (XHY-A)



| Circuits (电路) | Product name (产品名称) | Dimensions (尺寸mm) | |
|------------------|------------------------|-------------------|-------|
| | | A | B |
| 2X2 | XHY-4A | 2.50 | 7.50 |
| 2X3 | XHY-6A | 5.00 | 10.00 |
| 2X4 | XHY-8A | 7.50 | 12.50 |
| 2X5 | XHY-10A | 10.00 | 15.00 |
| 2X6 | XHY-12A | 12.50 | 17.50 |
| 2X7 | XHY-14A | 15.00 | 20.00 |
| 2X8 | XHY-16A | 17.50 | 22.50 |
| 2X9 | XHY-18A | 20.00 | 25.00 |
| 2X10 | XHY-20A | 22.50 | 27.50 |
| 2X11 | XHY-22A | 25.00 | 30.00 |
| 2X12 | XHY-24A | 27.50 | 32.50 |
| 2X13 | XHY-26A | 30.00 | 35.00 |
| 2X14 | XHY-28A | 32.50 | 37.50 |
| 2X15 | XHY-30A | 35.00 | 40.00 |
| 2X16 | XHY-32A | 37.50 | 42.50 |
| 2X17 | XHY-34A | 40.00 | 45.00 |
| 2X18 | XHY-36A | 42.50 | 47.50 |
| ~ | ~ | ~ | ~ |
| 2X30 | XHY-60A | 47.50 | 52.50 |

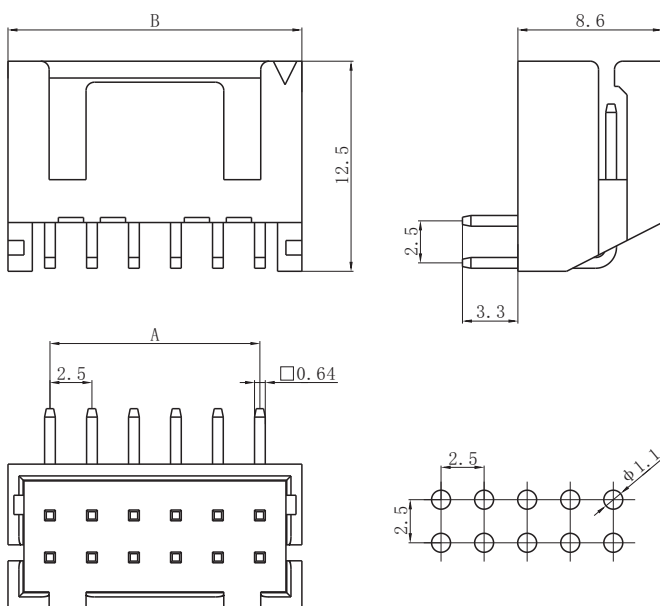
Material (材料)

Housing (胶壳): Nylon (尼龙) UL94V-0 (2)

Wafer (接触件): Brass (黄铜) / Tin plated (镀锡)

符合RoHS标准
RoHS compliance

□ DL25042-AWD (XHY-AWD)



| Circuits (电路) | Product name (产品名称) | Dimensions (尺寸mm) | |
|------------------|------------------------|-------------------|-------|
| | | A | B |
| 2X2 | XHY-4AWD | 2.50 | 7.50 |
| 2X3 | XHY-6AWD | 5.00 | 10.00 |
| 2X4 | XHY-8AWD | 7.50 | 12.50 |
| 2X5 | XHY-10AWD | 10.00 | 15.00 |
| 2X6 | XHY-12AWD | 12.50 | 17.50 |
| 2X7 | XHY-14AWD | 15.00 | 20.00 |
| 2X8 | XHY-16AWD | 17.50 | 22.50 |
| 2X9 | XHY-18AWD | 20.00 | 25.00 |
| 2X10 | XHY-20AWD | 22.50 | 27.50 |
| 2X11 | XHY-22AWD | 25.00 | 30.00 |
| 2X12 | XHY-24AWD | 27.50 | 32.50 |
| 2X13 | XHY-26AWD | 30.00 | 35.00 |
| 2X14 | XHY-28AWD | 32.50 | 37.50 |
| 2X15 | XHY-30AWD | 35.00 | 40.00 |
| 2X16 | XHY-32AWD | 37.50 | 42.50 |
| 2X17 | XHY-34AWD | 40.00 | 45.00 |
| 2X18 | XHY-36AWD | 42.50 | 47.50 |
| ~ | ~ | ~ | ~ |
| 2X30 | XHY-60AWD | 47.50 | 52.50 |

Material (材料)

Housing (胶壳): Nylon (尼龙) UL94V-0 (2)

Wafer (接触件): Brass (黄铜) / Tin plated (镀锡)

符合RoHS标准
RoHS compliance

X-ON Electronics

Largest Supplier of Electrical and Electronic Components

Click to view similar products for [Headers & Wire Housings](#) category:

Click to view products by [DLL](#) manufacturer:

Other Similar products are found below :

[0015917161](#) [0022155065](#) [57102-F02-18ULF](#) [58102-G61-06LF](#) [582553-1](#) [01.001.5753.1](#) [0050291907](#) [02.125.8002.8](#) [609-3404](#) [61062-3](#)
[CSU011177004](#) [622-0430](#) [622-3653LF](#) [63453-116](#) [636-1030](#) [636-1427](#) [636-3427](#) [636-4007](#) [641938-9](#) [65495-038](#) [65692-001LF](#) [65781-018](#)
[65781-047](#) [65817-010LF](#) [65817-015LF](#) [67095-007LF](#) [67601157](#) [68631-112](#) [68645-018](#) [699319-000](#) [70.362.1628.0](#) [70-4210](#) [70-4226B](#) [70-](#)
[4853B](#) [71.350.2428.0](#) [733-134](#) [733-162](#) [760-3052](#) [MHR-64-VUAL](#) [80.063.4001.1](#) [800-90-001-10-001000](#) [801-43-002-10-013000](#)
[801-43-006-10-002000](#) [803-43-024-10-001000](#) [803-93-012-10-001000](#) [8-1437020-4](#) [819-22-004-30-001101](#) [820-22-006-30-001101](#)
[820-22-008-30-001101](#) [821-22-002-10-001101](#)