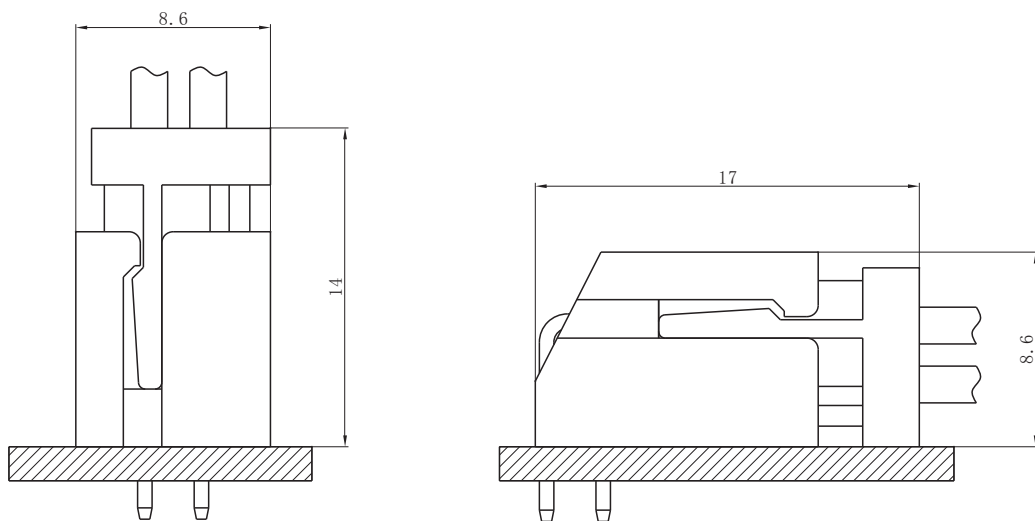


**技术特性/Specifications:**

额定电压 Rated voltage: 250V AC, DC  
 额定电流 Rated current: 3A AC, DC  
 接触电阻 Contact resistance: 30mΩ max  
 绝缘电阻 Insulation resistance: 1000MΩ min  
 耐压 Withstand voltage: 650V AC/minute  
 环境温度 Ambient temperature: -35°C~+105°C  
 适用线规 Wire range: AWG#28~#20

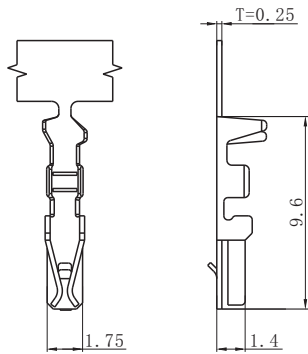
**PC电路板布局和组件布局 PC board layout and Assembly layout**

▣ Assembly layout (装配布局)



上图为连接器安装侧观察图  
Notes: The above figure is the figure viewed from the connector mounting side.

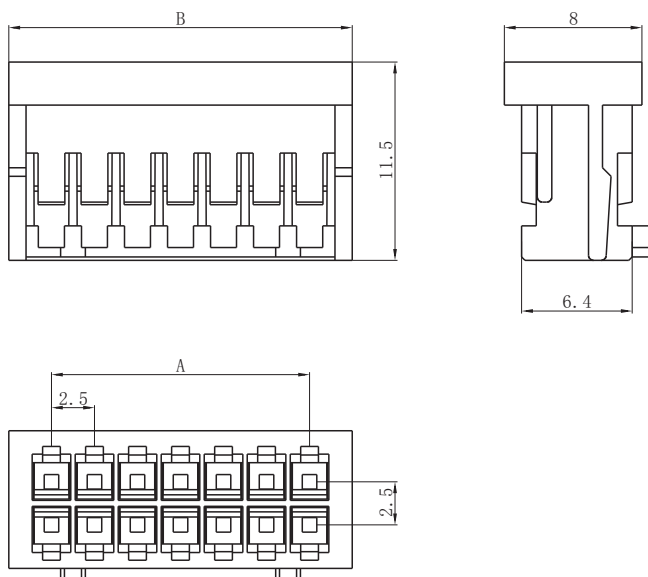
□ DL25042-T (XHY-T)



| Model No. (型号)        | Applicable wire (适用线规) |       |                          | Material (材料)         | Plating (电镀)    | Qty/reel (数量/盘) |
|-----------------------|------------------------|-------|--------------------------|-----------------------|-----------------|-----------------|
|                       | mm <sup>2</sup>        | AWG#  | Insulation O.D. (绝缘外径mm) |                       |                 |                 |
| DL25042-T (XHY-T)     | 0.08~0.20              | 28~24 | φ 0.9~1.4                | Phosphor bronze (磷青铜) | Tin Plated (镀锡) | 10000           |
| DL25042-T-G (XHY-T-G) | 0.33~0.52              | 22~20 | φ 1.7~1.9                | Phosphor bronze (磷青铜) | Tin Plated (镀锡) | 10000           |

符合RoHS标准  
RoHS compliance

□ DL25042-Y (XHY-Y)



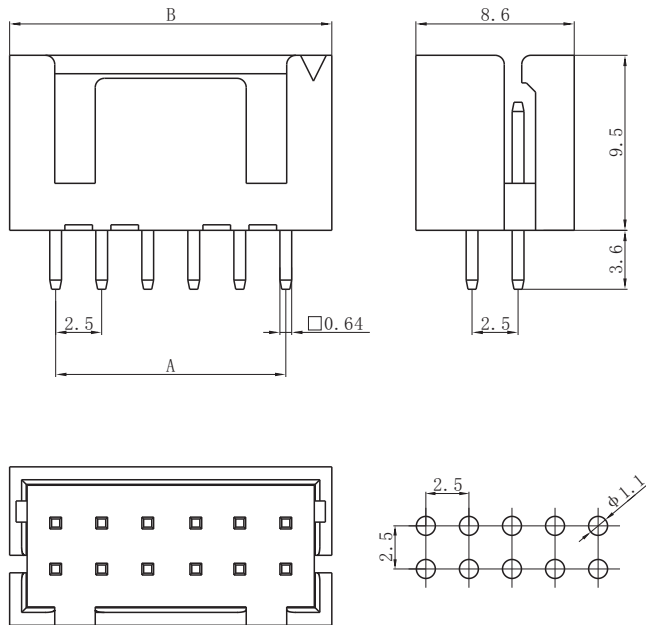
| Circuits (电路) | Product name (产品名称) | Dimensions (尺寸mm) |       |
|---------------|---------------------|-------------------|-------|
|               |                     | A                 | B     |
| 2X2           | XHY-4Y              | 2.50              | 7.50  |
| 2X3           | XHY-6Y              | 5.00              | 10.00 |
| 2X4           | XHY-8Y              | 7.50              | 12.50 |
| 2X5           | XHY-10Y             | 10.00             | 15.00 |
| 2X6           | XHY-12Y             | 12.50             | 17.50 |
| 2X7           | XHY-14Y             | 15.00             | 20.00 |
| 2X8           | XHY-16Y             | 17.50             | 22.50 |
| 2X9           | XHY-18Y             | 20.00             | 25.00 |
| 2X10          | XHY-20Y             | 22.50             | 27.50 |
| 2X11          | XHY-22Y             | 25.00             | 30.00 |
| 2X12          | XHY-24Y             | 27.50             | 32.50 |
| 2X13          | XHY-26Y             | 30.00             | 35.00 |
| 2X14          | XHY-28Y             | 32.50             | 37.50 |
| 2X15          | XHY-30Y             | 35.00             | 40.00 |
| 2X16          | XHY-32Y             | 37.50             | 42.50 |
| 2X17          | XHY-34Y             | 40.00             | 45.00 |
| 2X18          | XHY-36Y             | 42.50             | 47.50 |
| ~             | ~                   | ~                 | ~     |
| 2X30          | XHY-60Y             | 47.50             | 52.50 |

Material (材料)

Housing (胶壳): Nylon (尼龙) UL94V-0 (2)

符合RoHS标准  
RoHS compliance

□ DL25042-A (XHY-A)



| Circuits<br>(电路) | Product name<br>(产品名称) | Dimensions (尺寸mm) |       |
|------------------|------------------------|-------------------|-------|
|                  |                        | A                 | B     |
| 2X2              | XHY-4A                 | 2.50              | 7.50  |
| 2X3              | XHY-6A                 | 5.00              | 10.00 |
| 2X4              | XHY-8A                 | 7.50              | 12.50 |
| 2X5              | XHY-10A                | 10.00             | 15.00 |
| 2X6              | XHY-12A                | 12.50             | 17.50 |
| 2X7              | XHY-14A                | 15.00             | 20.00 |
| 2X8              | XHY-16A                | 17.50             | 22.50 |
| 2X9              | XHY-18A                | 20.00             | 25.00 |
| 2X10             | XHY-20A                | 22.50             | 27.50 |
| 2X11             | XHY-22A                | 25.00             | 30.00 |
| 2X12             | XHY-24A                | 27.50             | 32.50 |
| 2X13             | XHY-26A                | 30.00             | 35.00 |
| 2X14             | XHY-28A                | 32.50             | 37.50 |
| 2X15             | XHY-30A                | 35.00             | 40.00 |
| 2X16             | XHY-32A                | 37.50             | 42.50 |
| 2X17             | XHY-34A                | 40.00             | 45.00 |
| 2X18             | XHY-36A                | 42.50             | 47.50 |
| ~                | ~                      | ~                 | ~     |
| 2X30             | XHY-60A                | 47.50             | 52.50 |

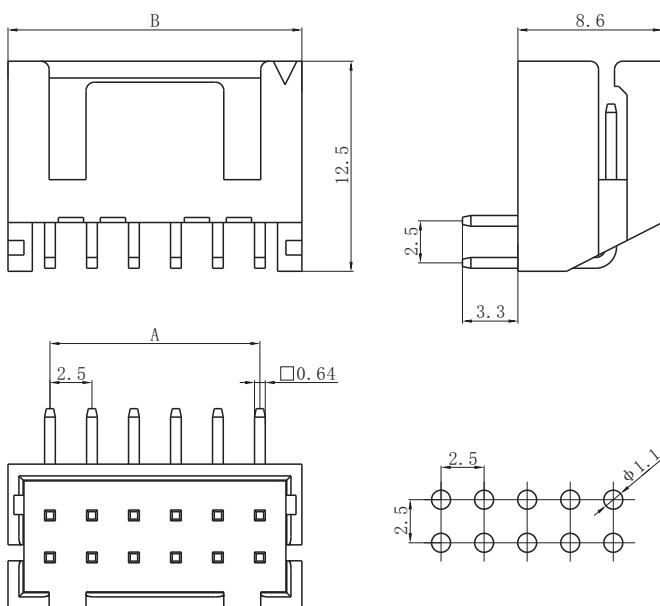
Material (材料)

Housing (胶壳): Nylon (尼龙) UL94V-0 (2)

Wafer (接触件): Brass (黄铜) / Tin plated (镀锡)

符合RoHS标准  
RoHS compliance

□ DL25042-AWD (XHY-AWD)



| Circuits<br>(电路) | Product name<br>(产品名称) | Dimensions (尺寸mm) |       |
|------------------|------------------------|-------------------|-------|
|                  |                        | A                 | B     |
| 2X2              | XHY-4AWD               | 2.50              | 7.50  |
| 2X3              | XHY-6AWD               | 5.00              | 10.00 |
| 2X4              | XHY-8AWD               | 7.50              | 12.50 |
| 2X5              | XHY-10AWD              | 10.00             | 15.00 |
| 2X6              | XHY-12AWD              | 12.50             | 17.50 |
| 2X7              | XHY-14AWD              | 15.00             | 20.00 |
| 2X8              | XHY-16AWD              | 17.50             | 22.50 |
| 2X9              | XHY-18AWD              | 20.00             | 25.00 |
| 2X10             | XHY-20AWD              | 22.50             | 27.50 |
| 2X11             | XHY-22AWD              | 25.00             | 30.00 |
| 2X12             | XHY-24AWD              | 27.50             | 32.50 |
| 2X13             | XHY-26AWD              | 30.00             | 35.00 |
| 2X14             | XHY-28AWD              | 32.50             | 37.50 |
| 2X15             | XHY-30AWD              | 35.00             | 40.00 |
| 2X16             | XHY-32AWD              | 37.50             | 42.50 |
| 2X17             | XHY-34AWD              | 40.00             | 45.00 |
| 2X18             | XHY-36AWD              | 42.50             | 47.50 |
| ~                | ~                      | ~                 | ~     |
| 2X30             | XHY-60AWD              | 47.50             | 52.50 |

Material (材料)

Housing (胶壳): Nylon (尼龙) UL94V-0 (2)

Wafer (接触件): Brass (黄铜) / Tin plated (镀锡)

符合RoHS标准  
RoHS compliance

## X-ON Electronics

Largest Supplier of Electrical and Electronic Components

*Click to view similar products for [Headers & Wire Housings](#) category:*

*Click to view products by [DLL](#) manufacturer:*

Other Similar products are found below :

[0015917161](#) [0022155065](#) [57102-F02-18ULF](#) [58102-G61-06LF](#) [582553-1](#) [01.001.5753.1](#) [0050291907](#) [02.125.8002.8](#) [609-3404](#) [61062-3](#)  
[CSU011177004](#) [622-0430](#) [622-3653LF](#) [63453-116](#) [636-1030](#) [636-1427](#) [636-3427](#) [636-4007](#) [641938-9](#) [65495-038](#) [65692-001LF](#) [65781-018](#)  
[65781-047](#) [65817-010LF](#) [65817-015LF](#) [67095-007LF](#) [67601157](#) [68631-112](#) [68645-018](#) [699319-000](#) [70.362.1628.0](#) [70-4210](#) [70-4226B](#) [70-](#)  
[4853B](#) [71.350.2428.0](#) [733-134](#) [733-162](#) [MHR-64-VUAL](#) [80.063.4001.1](#) [800-90-001-10-001000](#) [801-43-002-10-013000](#) [801-43-006-10-](#)  
[002000](#) [803-43-024-10-001000](#) [803-93-012-10-001000](#) [8-1437020-4](#) [819-22-004-30-001101](#) [820-22-006-30-001101](#) [820-22-008-30-001101](#)  
[821-22-002-10-001101](#) [821-22-003-10-002101](#)