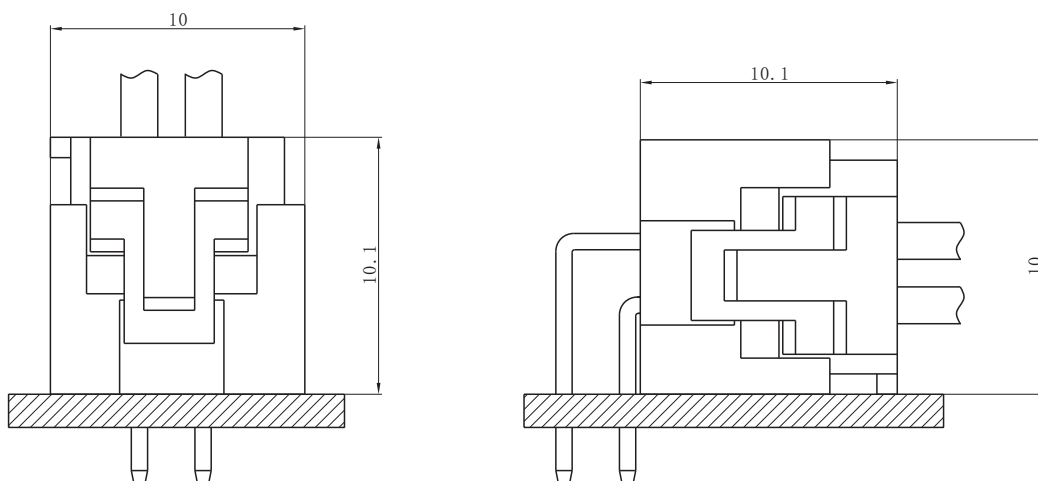


技术特性/Specifications:

额定电压 Rated voltage: 250V AC, DC
 额定电流 Rated current: 3A AC, DC
 接触电阻 Contact resistance: 20mΩ max
 绝缘电阻 Insulation resistance: 1000MΩ min
 耐压 Withstand voltage: 1000V AC/minute
 环境温度 Ambient temperature: -35°C~+105°C
 适用线规 Wire range: AWG#28~#22

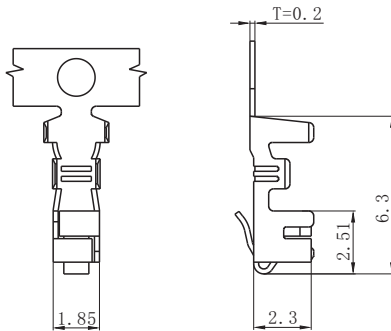
PC电路板布局和组件布局 PC board layout and Assembly layout

▣ Assembly layout (装配布局)



上图为连接器安装侧观察图
Notes: The above figure is the figure viewed from the connector mounting side.

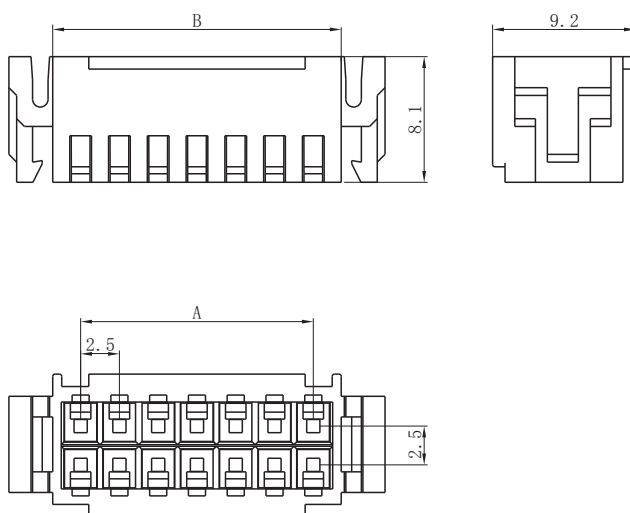
□ DL25044-T (XHZ-T)



| Model No. (型号) | Applicable wire (适用线规) | | | Material (材料) | Plating (电镀) | Qty/reel (数量/盘) |
|------------------|------------------------|-------|--------------------------|-----------------------|-----------------|-----------------|
| | mm ² | AWG# | Insulation O.D. (绝缘外径mm) | | | |
| DL25044-T(XHZ-T) | 0.08~0.33 | 28~22 | φ 1.2~1.9 | Phosphor bronze (磷青铜) | Tin Plated (镀锡) | 7000 |

符合RoHS标准
RoHS compliance

□ DL25044-Y (XHZ-Y)



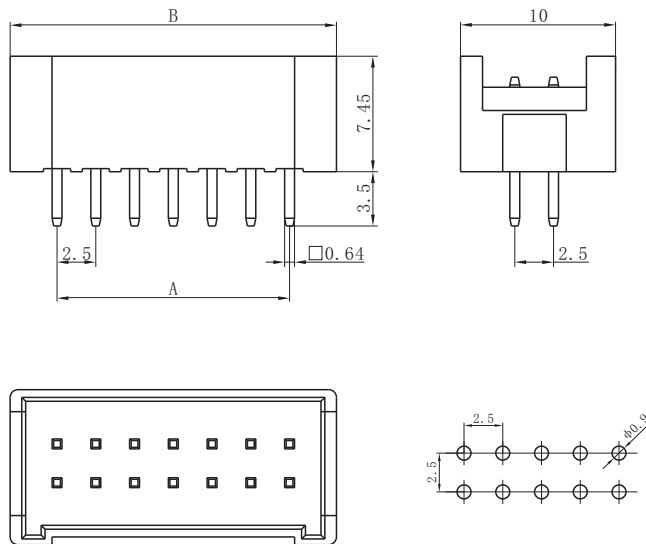
| Circuits (电路) | Product name (产品名称) | Dimensions (尺寸mm) | |
|---------------|---------------------|-------------------|------|
| | | A | B |
| 2X2 | XHZ-4Y | 2.5 | 6.1 |
| 2X3 | XHZ-6Y | 5.0 | 8.6 |
| 2X4 | XHZ-8Y | 7.5 | 11.1 |
| 2X5 | XHZ-10Y | 10.0 | 13.6 |
| 2X6 | XHZ-12Y | 12.5 | 16.1 |
| 2X7 | XHZ-14Y | 15.0 | 18.6 |
| 2X8 | XHZ-16Y | 17.5 | 21.1 |
| 2X9 | XHZ-18Y | 20.0 | 23.6 |
| 2X10 | XHZ-20Y | 22.5 | 26.1 |
| 2X11 | XHZ-22Y | 25.0 | 28.6 |
| 2X12 | XHZ-24Y | 27.5 | 31.1 |
| 2X13 | XHZ-26Y | 30.0 | 33.6 |
| 2X14 | XHZ-28Y | 32.5 | 36.1 |
| 2X15 | XHZ-30Y | 35.0 | 38.6 |
| 2X16 | XHZ-32Y | 37.5 | 41.1 |
| 2X17 | XHZ-34Y | 40.0 | 43.6 |
| 2X18 | XHZ-36Y | 42.5 | 46.1 |
| ~ | ~ | ~ | ~ |
| 2X30 | XHZ-60Y | 72.5 | 76.1 |

Material (材料)

Housing (胶壳): Nylon (尼龙) UL94V-0 (2)

符合RoHS标准
RoHS compliance

□ DL25044-A (XHZ-A)



| Circuits (电路) | Product name (产品名称) | Dimensions (尺寸mm) | |
|------------------|------------------------|-------------------|------|
| | | A | B |
| 2X2 | XHZ-4A | 2.5 | 8.5 |
| 2X3 | XHZ-6A | 5.0 | 11.0 |
| 2X4 | XHZ-8A | 7.5 | 13.5 |
| 2X5 | XHZ-10A | 10.0 | 16.0 |
| 2X6 | XHZ-12A | 12.5 | 18.5 |
| 2X7 | XHZ-14A | 15.0 | 21.0 |
| 2X8 | XHZ-16A | 17.5 | 23.5 |
| 2X9 | XHZ-18A | 20.0 | 26.0 |
| 2X10 | XHZ-20A | 22.5 | 28.5 |
| 2X11 | XHZ-22A | 25.0 | 31.0 |
| 2X12 | XHZ-24A | 27.5 | 33.5 |
| 2X13 | XHZ-26A | 30.0 | 36.0 |
| 2X14 | XHZ-28A | 32.5 | 38.5 |
| 2X15 | XHZ-30A | 35.0 | 41.0 |
| 2X16 | XHZ-32A | 37.5 | 43.5 |
| 2X17 | XHZ-34A | 40.0 | 46.0 |
| 2X18 | XHZ-36A | 42.5 | 48.5 |
| ~ | ~ | ~ | ~ |
| 2X30 | XHZ-60A | 72.5 | 78.5 |

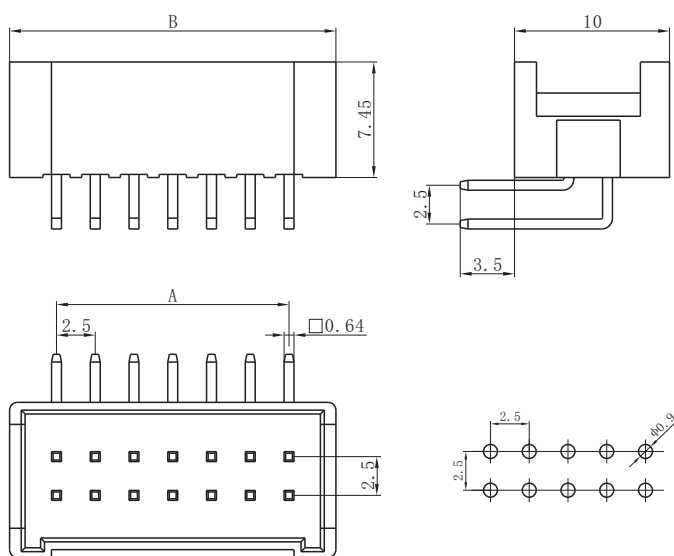
Material (材料)

Housing (胶壳): Nylon (尼龙) UL94V-0 (2)

Wafer (接触件): Brass (黄铜) / Tin plated (镀锡)

符合RoHS标准
RoHS compliance

□ DL25044-AW (XHZ-AW)



| Circuits (电路) | Product name (产品名称) | Dimensions (尺寸mm) | |
|------------------|------------------------|-------------------|------|
| | | A | B |
| 2X2 | XHZ-4AW | 2.5 | 8.5 |
| 2X3 | XHZ-6AW | 5.0 | 11.0 |
| 2X4 | XHZ-8AW | 7.5 | 13.5 |
| 2X5 | XHZ-10AW | 10.0 | 16.0 |
| 2X6 | XHZ-12AW | 12.5 | 18.5 |
| 2X7 | XHZ-14AW | 15.0 | 21.0 |
| 2X8 | XHZ-16AW | 17.5 | 23.5 |
| 2X9 | XHZ-18AW | 20.0 | 26.0 |
| 2X10 | XHZ-20AW | 22.5 | 28.5 |
| 2X11 | XHZ-22AW | 25.0 | 31.0 |
| 2X12 | XHZ-24AW | 27.5 | 33.5 |
| 2X13 | XHZ-26AW | 30.0 | 36.0 |
| 2X14 | XHZ-28AW | 32.5 | 38.5 |
| 2X15 | XHZ-30AW | 35.0 | 41.0 |
| 2X16 | XHZ-32AW | 37.5 | 43.5 |
| 2X17 | XHZ-34AW | 40.0 | 46.0 |
| 2X18 | XHZ-36AW | 42.5 | 48.5 |
| ~ | ~ | ~ | ~ |
| 2X30 | XHZ-60AW | 72.5 | 78.5 |

Material (材料)

Housing (胶壳): Nylon (尼龙) UL94V-0 (2)

Wafer (接触件): Brass (黄铜) / Tin plated (镀锡)

符合RoHS标准
RoHS compliance

X-ON Electronics

Largest Supplier of Electrical and Electronic Components

Click to view similar products for [Headers & Wire Housings](#) category:

Click to view products by [DLL](#) manufacturer:

Other Similar products are found below :

[0015917161](#) [0022155065](#) [57102-F02-18ULF](#) [58102-G61-06LF](#) [582553-1](#) [01.001.5753.1](#) [0050291907](#) [02.125.8002.8](#) [609-3404](#) [61062-3](#)
[CSU011177004](#) [622-0430](#) [622-3653LF](#) [63453-116](#) [636-1030](#) [636-1427](#) [636-3427](#) [636-4007](#) [641938-9](#) [65495-038](#) [65692-001LF](#) [65781-018](#)
[65781-047](#) [65817-010LF](#) [65817-015LF](#) [67095-007LF](#) [67601157](#) [68631-112](#) [68645-018](#) [699319-000](#) [70.362.1628.0](#) [70-4210](#) [70-4226B](#) [70-](#)
[4853B](#) [71.350.2428.0](#) [733-134](#) [733-162](#) [760-3052](#) [MHR-64-VUAL](#) [80.063.4001.1](#) [800-90-001-10-001000](#) [801-43-002-10-013000](#)
[801-43-006-10-002000](#) [803-43-024-10-001000](#) [803-93-012-10-001000](#) [8-1437020-4](#) [819-22-004-30-001101](#) [820-22-006-30-001101](#)
[820-22-008-30-001101](#) [821-22-002-10-001101](#)