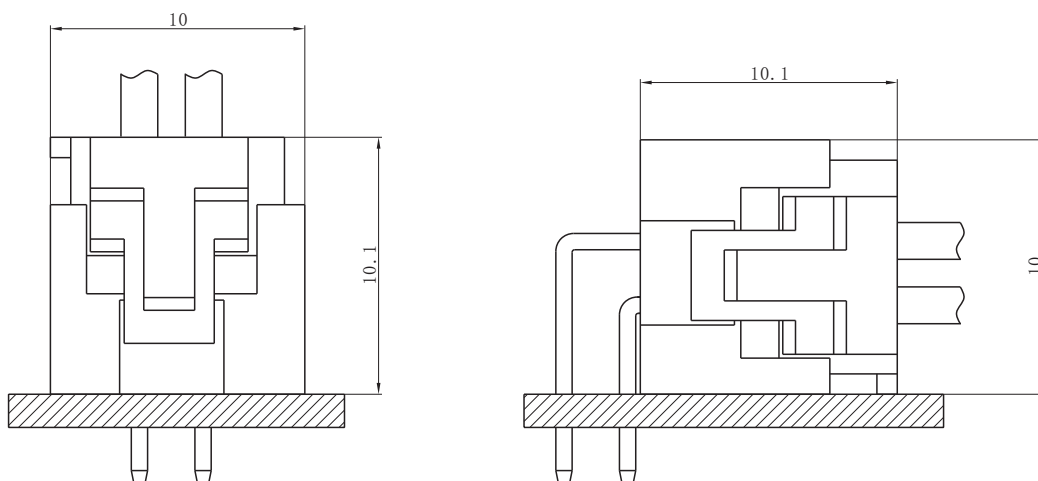


**技术特性/Specifications:**

额定电压 Rated voltage: 250V AC, DC  
 额定电流 Rated current: 3A AC, DC  
 接触电阻 Contact resistance: 20mΩ max  
 绝缘电阻 Insulation resistance: 1000MΩ min  
 耐压 Withstand voltage: 1000V AC/minute  
 环境温度 Ambient temperature: -35°C~+105°C  
 适用线规 Wire range: AWG#28~#22

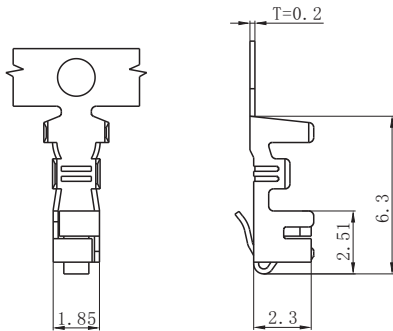
**PC电路板布局和组件布局 PC board layout and Assembly layout**

▣ Assembly layout (装配布局)



上图为连接器安装侧观察图  
 Notes: The above figure is the figure viewed from the connector mounting side.

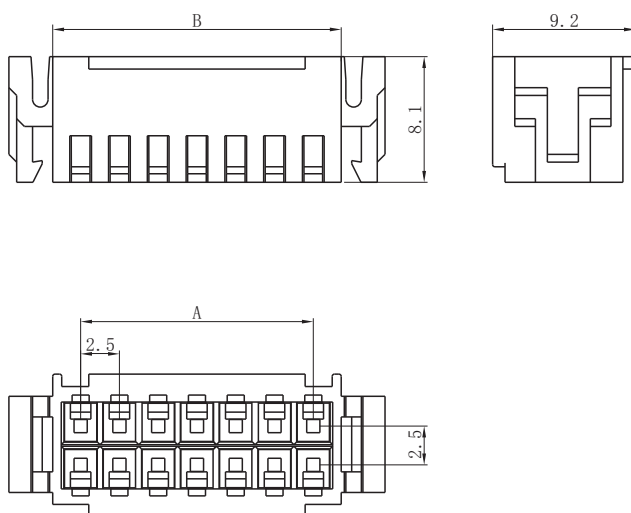
□ DL25044-T (XHZ-T)



Model No. (型号)	Applicable wire (适用线规)			Material (材料)	Plating (电镀)	Qty/reel (数量/盘)
	mm <sup>2</sup>	AWG#	Insulation O.D. (绝缘外径mm)			
DL25044-T (XHZ-T)	0.08~0.33	28~22	φ 1.2~1.9	Phosphor bronze (磷青铜)	Tin Plated (镀锡)	7000

符合RoHS标准  
RoHS compliance

□ DL25044-Y (XHZ-Y)



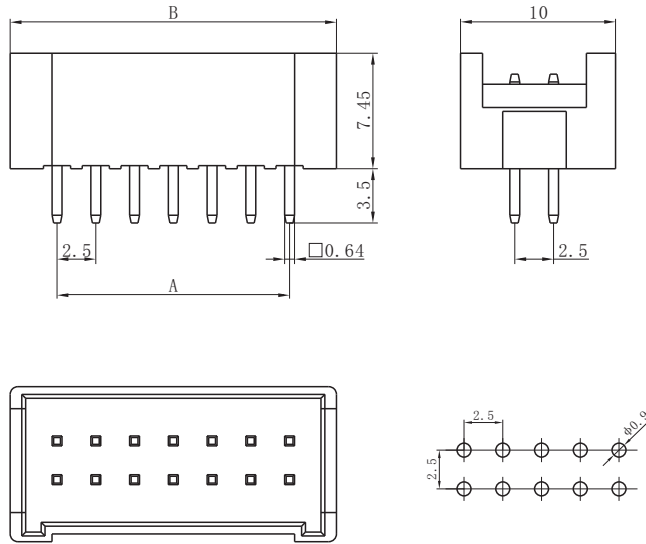
Circuits (电路)	Product name (产品名称)	Dimensions (尺寸mm)	
		A	B
2X2	XHZ-4Y	2.5	6.1
2X3	XHZ-6Y	5.0	8.6
2X4	XHZ-8Y	7.5	11.1
2X5	XHZ-10Y	10.0	13.6
2X6	XHZ-12Y	12.5	16.1
2X7	XHZ-14Y	15.0	18.6
2X8	XHZ-16Y	17.5	21.1
2X9	XHZ-18Y	20.0	23.6
2X10	XHZ-20Y	22.5	26.1
2X11	XHZ-22Y	25.0	28.6
2X12	XHZ-24Y	27.5	31.1
2X13	XHZ-26Y	30.0	33.6
2X14	XHZ-28Y	32.5	36.1
2X15	XHZ-30Y	35.0	38.6
2X16	XHZ-32Y	37.5	41.1
2X17	XHZ-34Y	40.0	43.6
2X18	XHZ-36Y	42.5	46.1
~	~	~	~
2X30	XHZ-60Y	72.5	76.1

Material (材料)

Housing (胶壳): Nylon (尼龙) UL94V-0 (2)

符合RoHS标准  
RoHS compliance

□ DL25044-A (XHZ-A)



Circuits (电路)	Product name (产品名称)	Dimensions (尺寸mm)	
		A	B
2X2	XHZ-4A	2.5	8.5
2X3	XHZ-6A	5.0	11.0
2X4	XHZ-8A	7.5	13.5
2X5	XHZ-10A	10.0	16.0
2X6	XHZ-12A	12.5	18.5
2X7	XHZ-14A	15.0	21.0
2X8	XHZ-16A	17.5	23.5
2X9	XHZ-18A	20.0	26.0
2X10	XHZ-20A	22.5	28.5
2X11	XHZ-22A	25.0	31.0
2X12	XHZ-24A	27.5	33.5
2X13	XHZ-26A	30.0	36.0
2X14	XHZ-28A	32.5	38.5
2X15	XHZ-30A	35.0	41.0
2X16	XHZ-32A	37.5	43.5
2X17	XHZ-34A	40.0	46.0
2X18	XHZ-36A	42.5	48.5
~	~	~	~
2X30	XHZ-60A	72.5	78.5

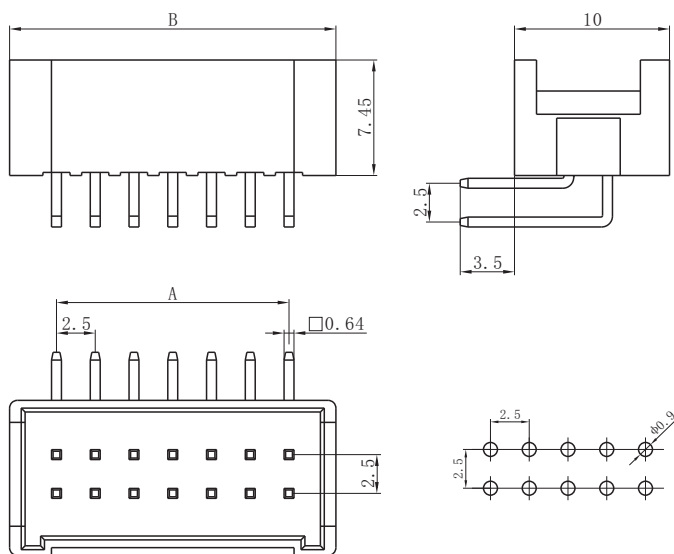
Material (材料)

Housing (胶壳): Nylon (尼龙) UL94V-0 (2)

Wafer (接触件): Brass (黄铜) / Tin plated (镀锡)

符合RoHS标准  
RoHS compliance

□ DL25044-AW (XHZ-AW)



Circuits (电路)	Product name (产品名称)	Dimensions (尺寸mm)	
		A	B
2X2	XHZ-4AW	2.5	8.5
2X3	XHZ-6AW	5.0	11.0
2X4	XHZ-8AW	7.5	13.5
2X5	XHZ-10AW	10.0	16.0
2X6	XHZ-12AW	12.5	18.5
2X7	XHZ-14AW	15.0	21.0
2X8	XHZ-16AW	17.5	23.5
2X9	XHZ-18AW	20.0	26.0
2X10	XHZ-20AW	22.5	28.5
2X11	XHZ-22AW	25.0	31.0
2X12	XHZ-24AW	27.5	33.5
2X13	XHZ-26AW	30.0	36.0
2X14	XHZ-28AW	32.5	38.5
2X15	XHZ-30AW	35.0	41.0
2X16	XHZ-32AW	37.5	43.5
2X17	XHZ-34AW	40.0	46.0
2X18	XHZ-36AW	42.5	48.5
~	~	~	~
2X30	XHZ-60AW	72.5	78.5

Material (材料)

Housing (胶壳): Nylon (尼龙) UL94V-0 (2)

Wafer (接触件): Brass (黄铜) / Tin plated (镀锡)

符合RoHS标准  
RoHS compliance

## X-ON Electronics

Largest Supplier of Electrical and Electronic Components

*Click to view similar products for [Headers & Wire Housings](#) category:*

*Click to view products by [DLL](#) manufacturer:*

Other Similar products are found below :

[0015917161](#) [0022155065](#) [57102-F02-18ULF](#) [58102-G61-06LF](#) [582553-1](#) [01.001.5753.1](#) [0050291907](#) [02.125.8002.8](#) [609-3404](#) [61062-3](#)  
[CSU011177004](#) [622-0430](#) [622-3653LF](#) [63453-116](#) [636-1030](#) [636-1427](#) [636-3427](#) [636-4007](#) [641938-9](#) [65495-038](#) [65692-001LF](#) [65781-018](#)  
[65781-047](#) [65817-010LF](#) [65817-015LF](#) [67095-007LF](#) [67601157](#) [68631-112](#) [699319-000](#) [70.362.1628.0](#) [70-4210](#) [70-4226B](#) [70-4853B](#) [707-](#)  
[5028](#) [71.350.2428.0](#) [733-134](#) [733-162](#) [760-3052](#) [MHR-64-VUAL](#) [80.063.4001.1](#) [800-90-001-10-001000](#) [801-43-002-10-013000](#)  
[801-43-006-10-002000](#) [803-43-024-10-001000](#) [803-93-012-10-001000](#) [8-1437020-4](#) [819-22-004-30-001101](#) [820-22-006-30-001101](#)  
[820-22-008-30-001101](#) [821-22-002-10-001101](#)