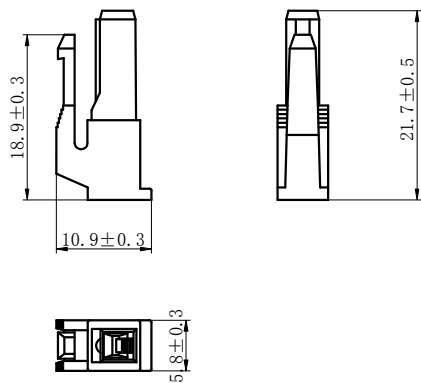


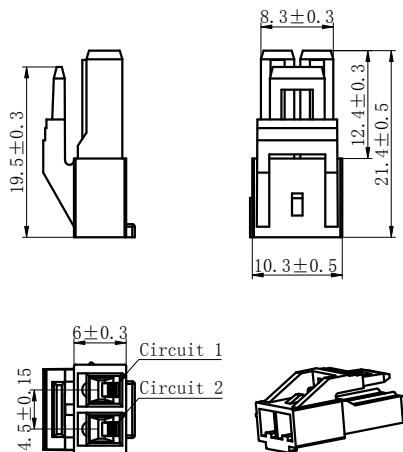
技术特性/Specifications:

额定电压 Rated voltage: 300V AC, DC
额定电流 Rated current: 10A AC, DC
接触电阻 Contact resistance: 15m Ω max
绝缘电阻 Insulation resistance: 1000M Ω min
耐压 Withstand voltage: 1500V AC/minute
环境温度 Ambient temperature: -40 $^{\circ}$ C~+105 $^{\circ}$ C
适用线规 Wire range: AWG#28~#16

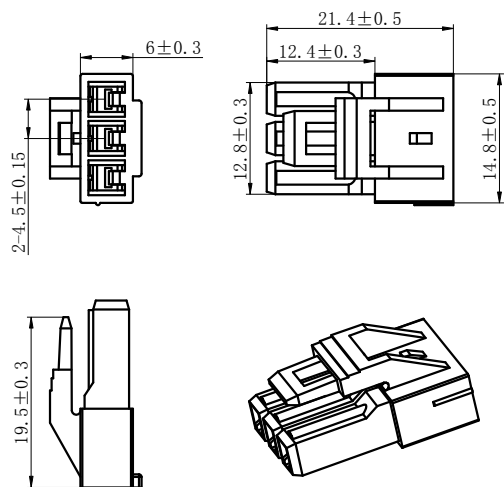
YL-1Y



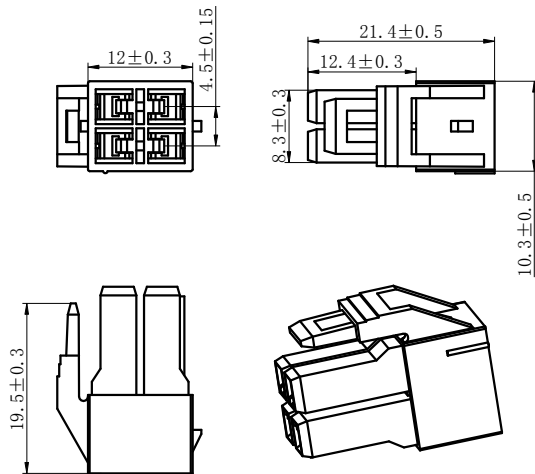
YL-2Y



YL-3Y



YL-4Y



| REV. | REVISION DESCRIPTION | DATE | APPD |
|------|----------------------|------|------|
| | | | |

NORES:

1. Rated voltage: 300V AC/DC
2. Rated current: 10A AC/DC
3. Contact resistance: $\leq 15 \text{ m}\Omega$
4. Insulation resistance: $\geq 1000 \text{ m}\Omega$
5. Withstand voltage: 1500V AC/minute
6. Ambient temperature: $-40^\circ\text{C} \sim 105^\circ\text{C}$
7. Materials: Nylon UL94V-0(2)
8. Matched RoHS criteria

GENERAL TOLERANCES
(UNLESS SPECIFIED)

ZHE JIANG DELI CONNECTORS CO., LTD

.X: ± 0.25 X°: $\pm 3.0^\circ$

PRODUCT NAME:

TITLE:
4.5 mm pitch Housing

.XX: ± 0.15 .X°: $\pm 2.0^\circ$

DL45002 (YL)-Y

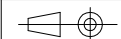
PART NO:

.XXX: ± 0.01 .XX°: $\pm 1.0^\circ$

DR: Chen Quan Long DATE: 22.10.10

SCALE: N/A PAGE: 1/3

FINISH:



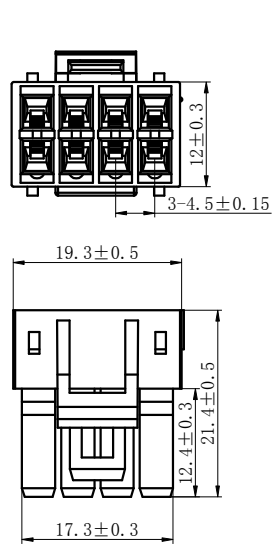
CHKD: Wu Hui DATE: 22.10.10

DRAWING NO:

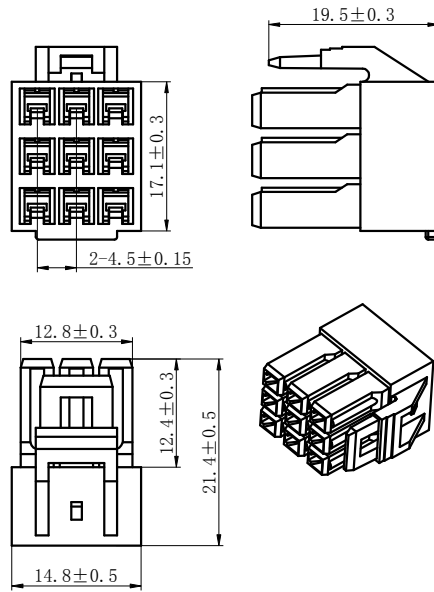
APPD: Ren An De DATE: 22.10.10

UNITS: mm REV.: A

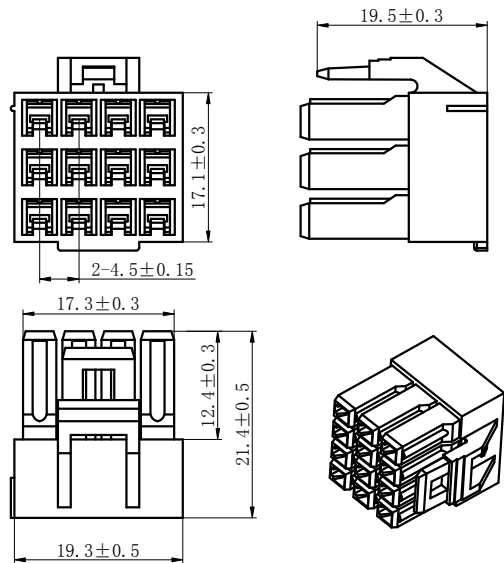
YL-8Y



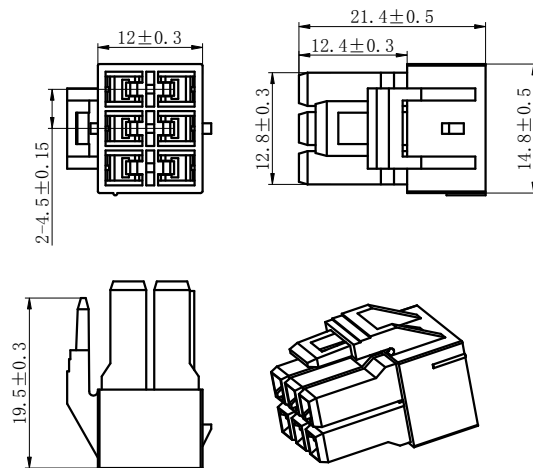
YL-9Y



YL-12Y



YL-6Y



| REV. | REVISION DESCRIPTION | DATE | APPD |
|------|----------------------|------|------|
| | | | |

NORES:

1. Rated voltage: 300V AC/DC
2. Rated current: 10A AC/DC
3. Contact resistance: ≤15 mΩ
4. Insulation resistance: ≥1000 mΩ
5. Withstand voltage: 1500V AC/minute
6. Ambient temperature: -40°C~105°C
7. Materials: Nylon UL94V-0(2)
8. Matched RoHS criteria

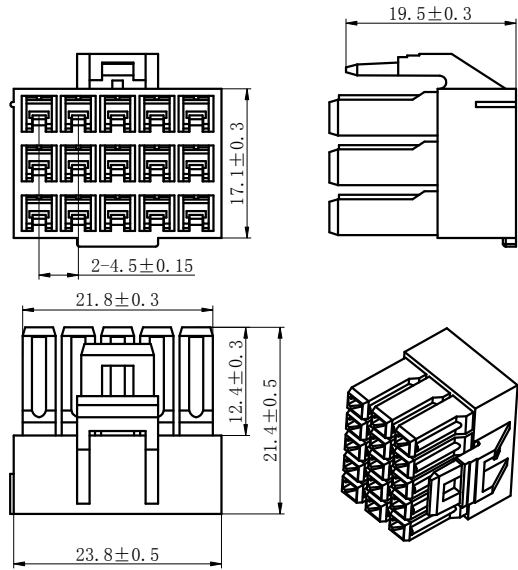
GENERAL TOLERANCES (UNLESS SPECIFIED)

ZHE JIANG DELI CONNECTORS CO., LTD

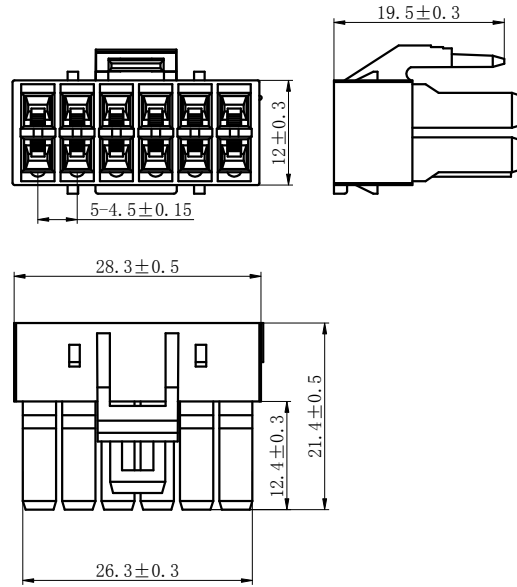
| | | | | |
|--------------|--------------|----------------------------------------|--------------------------------|------------|
| .X: ± 0.25 | X°: ± 3.0° | PRODUCT NAME: DL45002 (YL)-Y | TITLE: 4.5 mm pitch Housing | |
| .XX: ± 0.15 | .X°: ± 2.0° | | PART NO: | |
| .XXX: ± 0.01 | .XX°: ± 1.0° | DR:Chen Quan Long | DATE:22.10.10 | SCALE: N/A |
| FINISH: | | CHKD: Wu Hui | DATE:22.10.10 | PAGE: 2/3 |
| DRAWING NO: | | APPD:Ren An De | DATE:22.10.10 | UNITS: mm |
| | | | | REV.: A |

| | | |
|----------------------------------------|--------------------------------|------------|
| PRODUCT NAME: DL45002 (YL)-Y | TITLE: 4.5 mm pitch Housing | |
| DR:Chen Quan Long | DATE:22.10.10 | PART NO: |
| CHKD: Wu Hui | DATE:22.10.10 | SCALE: N/A |
| APPD:Ren An De | DATE:22.10.10 | PAGE: 2/3 |
| | | UNITS: mm |
| | | REV.: A |

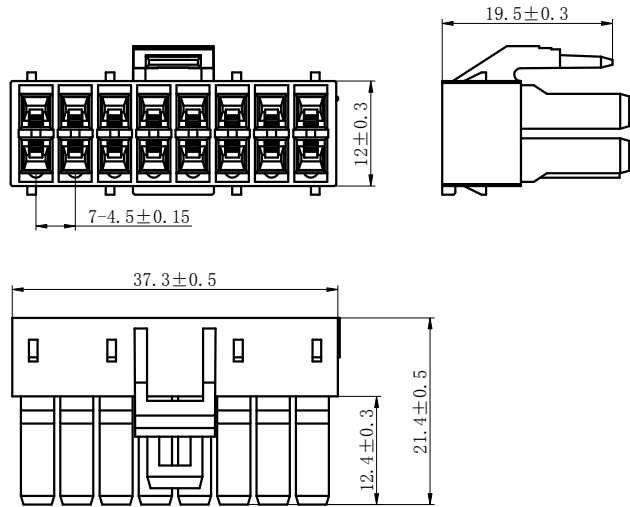
YL-15Y



YL-12YN



YL-16Y



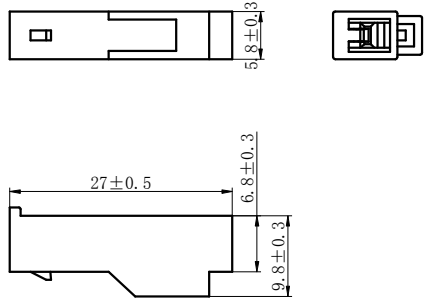
| REV. | REVISION DESCRIPTION | DATE | APPD |
|------|----------------------|------|------|
| | | | |

NORES:

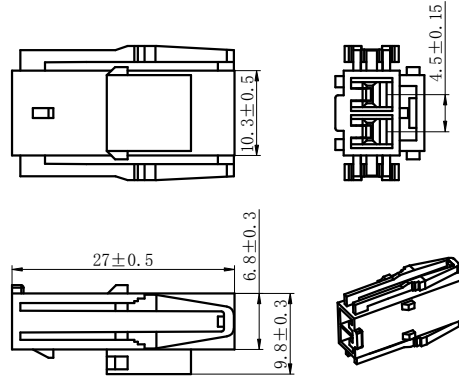
1. Rated voltage: 300V AC/DC
2. Rated current: 10A AC/DC
3. Contact resistance: $\leq 15 \text{ m}\Omega$
4. Insulation resistance: $\geq 1000 \text{ m}\Omega$
5. Withstand voltage: 1500V AC/minute
6. Ambient temperature: $-40^\circ\text{C} \sim 105^\circ\text{C}$
7. Materials: Nylon UL94V-0(2)
8. Matched RoHS criteria

| GENERAL TOLERANCES (UNLESS SPECIFIED) | | ZHE JIANG DELI CONNECTORS CO., LTD | |
|---------------------------------------|-----------------------|------------------------------------|----------------------|
| .X: ± 0.25 | X°: $\pm 3.0^\circ$ | PRODUCT NAME: | TITLE: |
| .XX: ± 0.15 | .X°: $\pm 2.0^\circ$ | DL45002(YL)-Y | 4.5 mm pitch Housing |
| .XXX: ± 0.01 | .XX°: $\pm 1.0^\circ$ | DR:Chen Quan Long | DATE:22.10.10 |
| FINISH: | | CHKD: Wu Hui | DATE:22.10.10 |
| DRAWING NO: | | APPD:Ren An De | DATE:22.10.10 |
| | | SCALE: N/A | PAGE: 3/3 |
| | | UNITS: mm | REV.: A |

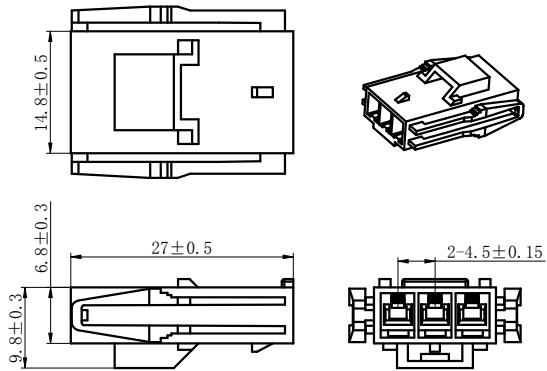
YL-1R



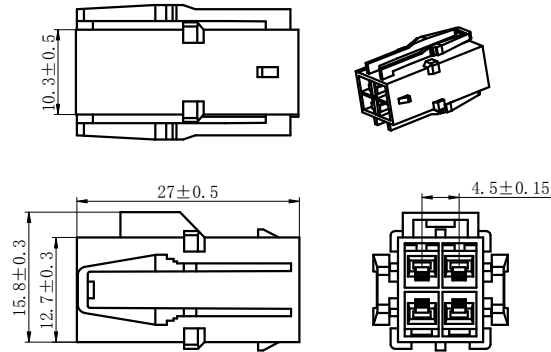
YL-2R



YL-3R



YL-4R



| REV. | REVISION DESCRIPTION | DATE | APPD |
|------|----------------------|------|------|
| | | | |

NORES:

1. Rated voltage: 300V AC/DC
2. Rated current: 10A AC/DC
3. Contact resistance: $\leq 15 \text{ m}\Omega$
4. Insulation resistance: $\geq 1000 \text{ m}\Omega$
5. Withstand voltage: 1500V AC/minute
6. Ambient temperature: $-40^\circ\text{C} \sim 105^\circ\text{C}$
7. Materials: Nylon UL94V-0(2)
8. Matched RoHS criteria

GENERAL TOLERANCES
(UNLESS SPECIFIED)

| | |
|------------------|-----------------------|
| .X: ± 0.25 | X°: $\pm 3.0^\circ$ |
| .XX: ± 0.15 | .X°: $\pm 2.0^\circ$ |
| .XXX: ± 0.01 | .XX°: $\pm 1.0^\circ$ |

FINISH:

DRAWING NO:

ZHE JIANG DELI CONNECTORS CO., LTD

PRODUCT NAME: **DL45002(YL)-R** TITLE: 4.5 mm pitch Housing

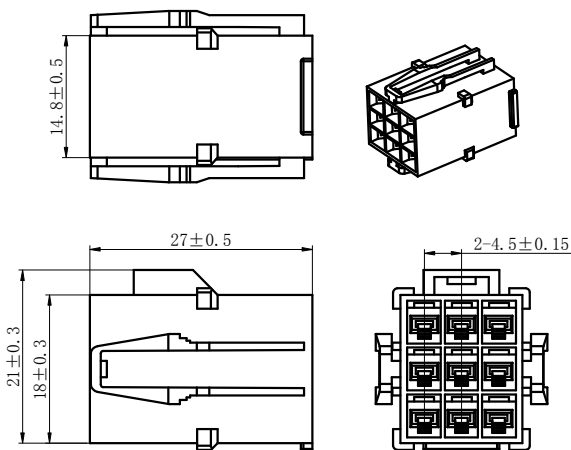
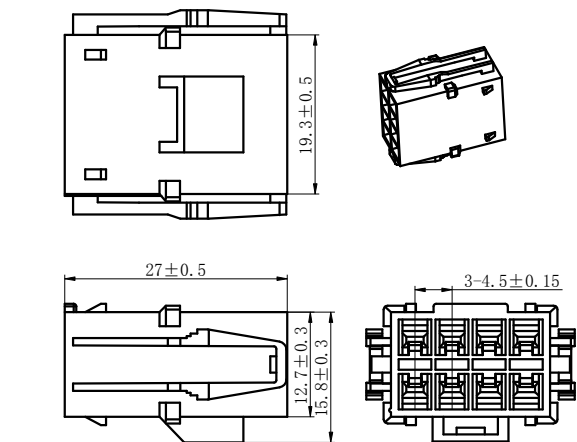
DR: Chen Quan Long DATE: 22.10.10 PART NO:

CHKD: Wu Hui DATE: 22.10.10 SCALE: N/A PAGE: 1/3

APPD: Ren An De DATE: 22.10.10 UNITS: mm REV.: A

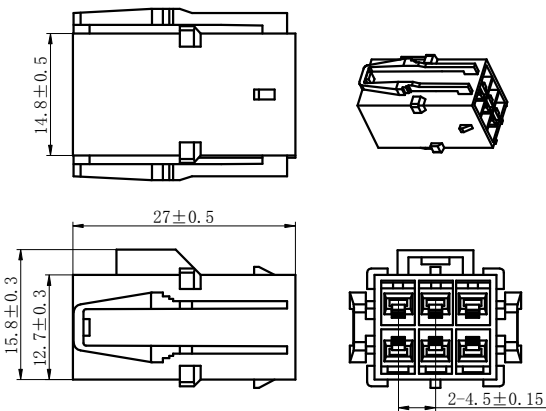
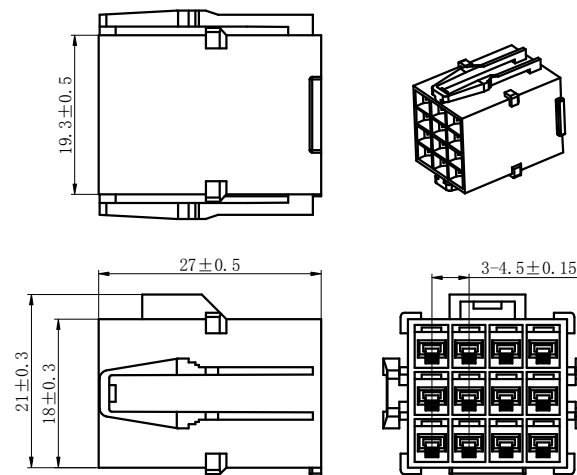
YL-8R

YL-9R



YL-12R

YL-6R



| REV. | REVISION DESCRIPTION | DATE | APPD |
|------|----------------------|------|------|
| | | | |

NORES:

1. Rated voltage: 300V AC/DC
2. Rated current: 10A AC DC
3. Contact resistance: $\leq 15 \text{ m}\Omega$
4. Insulation resistance: $\geq 1000 \text{ m}\Omega$
5. Withstand voltage: 1500V AC/minute
6. Ambient temperature: $-40^{\circ}\text{C} \sim 105^{\circ}\text{C}$
7. Materials: Nylon UL94V-0(2)
8. Matched RoHS criteria

GENERAL TOLERANCES
(UNLESS SPECIFIED)

ZHE JIANG DELI CONNECTORS CO., LTD

.X: ± 0.25 X°: $\pm 3.0^{\circ}$

PRODUCT NAME:

TITLE:

.XX: ± 0.15 .X°: $\pm 2.0^{\circ}$

DL45002 (YL)-R

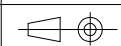
4.5 mm pitch Housing

.XXX: ± 0.01 .XX°: $\pm 1.0^{\circ}$

DR:Chen Quan Long DATE:22.10.10

PART NO:

FINISH:



CHKD: Wu Hui DATE:22.10.10

SCALE: N/A

PAGE: 2/3

DRAWING NO:

APPD:Ren An De

DATE:22.10.10

UNITS: mm

REV.: A

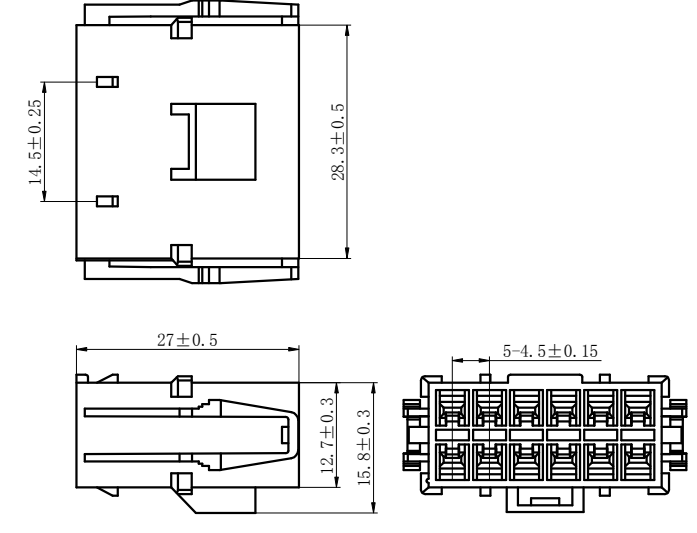
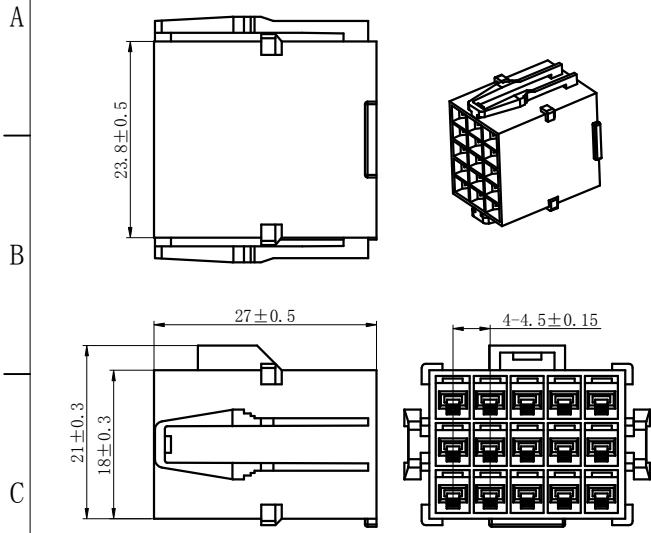
YL-15R

YL-12RN

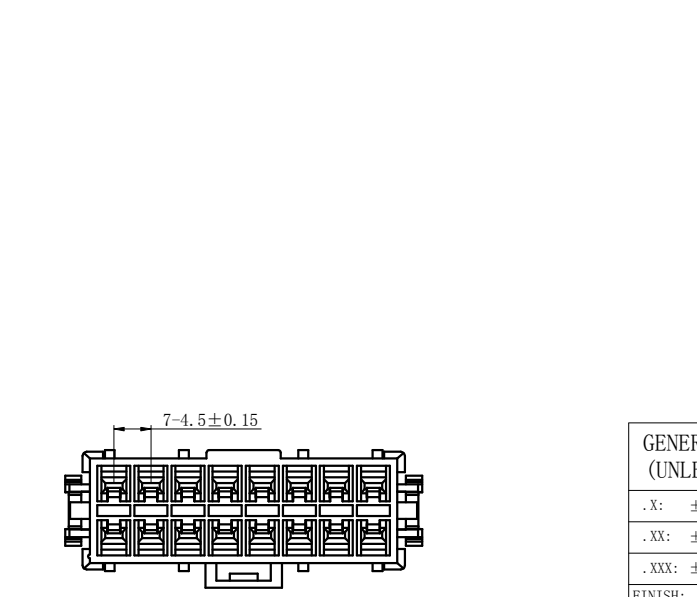
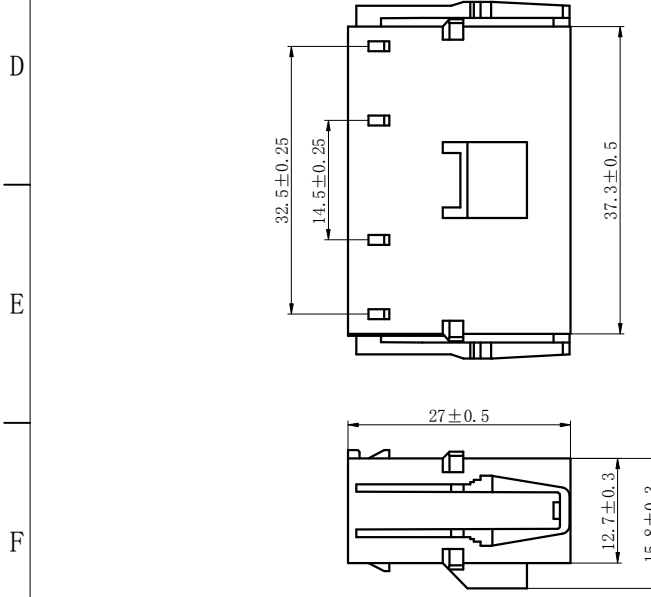
| REV. | REVISION DESCRIPTION | DATE | APPD |
|------|----------------------|------|------|
| | | | |

NORES:

1. Rated voltage: 300V AC/DC
2. Rated current: 10A AC/DC
3. Contact resistance: $\leq 15 \text{ m}\Omega$
4. Insulation resistance: $\geq 1000 \text{ m}\Omega$
5. Withstand voltage: 1500V AC/minute
6. Ambient temperature: $-40^{\circ}\text{C} \sim 105^{\circ}\text{C}$
7. Materials: Nylon UL94V-0(2)
8. Matched RoHS criteria

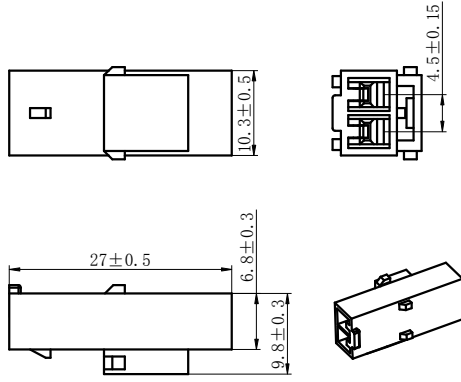


YL-16R

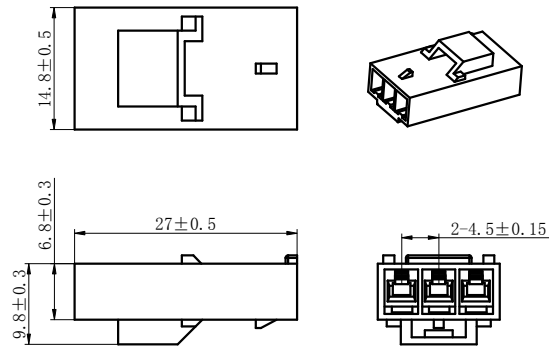


| GENERAL TOLERANCES (UNLESS SPECIFIED) | | ZHE JIANG DELI CONNECTORS CO., LTD | |
|---------------------------------------|--------------|------------------------------------|----------------------|
| .X: ± 0.25 | X°: ± 3.0° | PRODUCT NAME: | TITLE: |
| .XX: ± 0.15 | .X°: ± 2.0° | DL45002 (YL)-R | 4.5 mm pitch Housing |
| .XXX: ± 0.01 | .XX°: ± 1.0° | DR:Chen Quan Long | DATE:22.10.10 |
| FINISH: | | CHKD: Wu Hui | DATE:22.10.10 |
| DRAWING NO: | | APPD:Ren An De | DATE:22.10.10 |
| | | | SCALE: N/A |
| | | | PAGE: 3/3 |
| | | | UNITS: mm |
| | | | REV.: A |

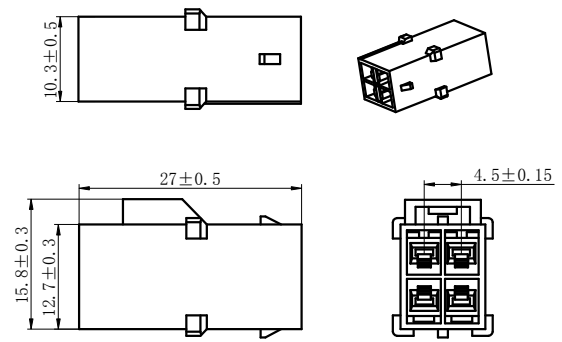
YL-2RF



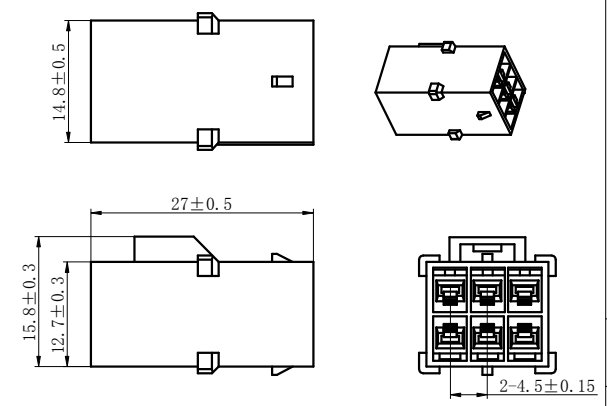
YL-3RF



YL-4RF



YL-6RF



| REV. | REVISION DESCRIPTION | DATE | APPD |
|------|----------------------|------|------|
| | | | |

NORES:

1. Rated voltage: 300V AC/DC
2. Rated current: 10A AC DC
3. Contact resistance: $\leq 15 \text{ m}\Omega$
4. Insulation resistance: $\geq 1000 \text{ m}\Omega$
5. Withstand voltage: 1500V AC/minute
6. Ambient temperature: $-40^{\circ}\text{C} \sim 105^{\circ}\text{C}$
7. Materials: Nylon UL94V-0(2)
8. Matched RoHS criteria

GENERAL TOLERANCES (UNLESS SPECIFIED)

| | |
|------------------|-------------------------|
| .X: ± 0.25 | X°: $\pm 3.0^{\circ}$ |
| .XX: ± 0.15 | .X°: $\pm 2.0^{\circ}$ |
| .XXX: ± 0.01 | .XX°: $\pm 1.0^{\circ}$ |

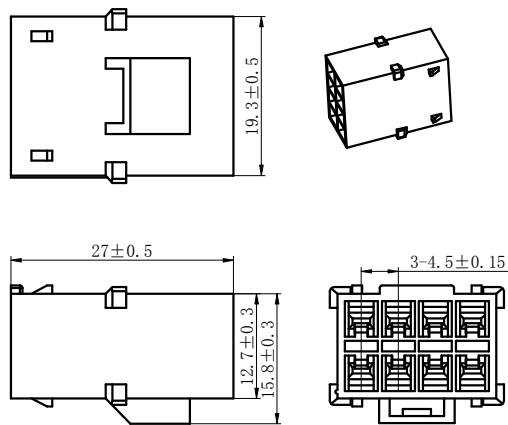
FINISH:

DRAWING NO:

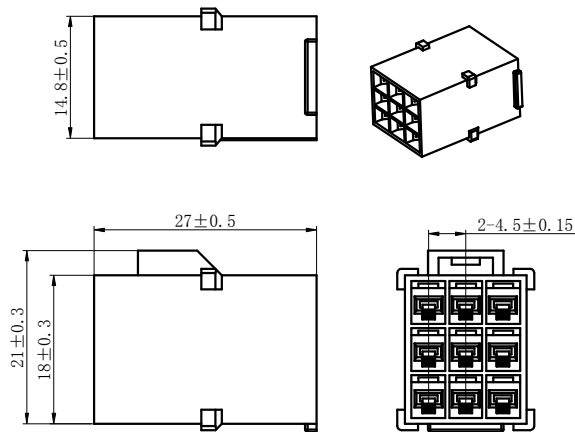
ZHE JIANG DELI CONNECTORS CO., LTD

| | | | |
|-----------------------------------------|----------------|--------------------------------|-----------|
| PRODUCT NAME: DL45002 (YL)-RF | | TITLE: 4.5 mm pitch Housing | |
| DR: Chen Quan Long | DATE: 22.10.10 | PART NO: | |
| CHKD: Wu Hui | DATE: 22.10.10 | SCALE: N/A | PAGE: 1/3 |
| APPD: Ren An De | DATE: 22.10.10 | UNITS: mm | REV.: A |

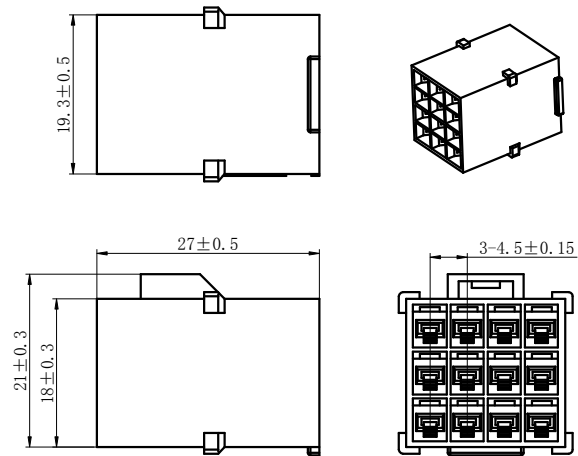
YL-8RF



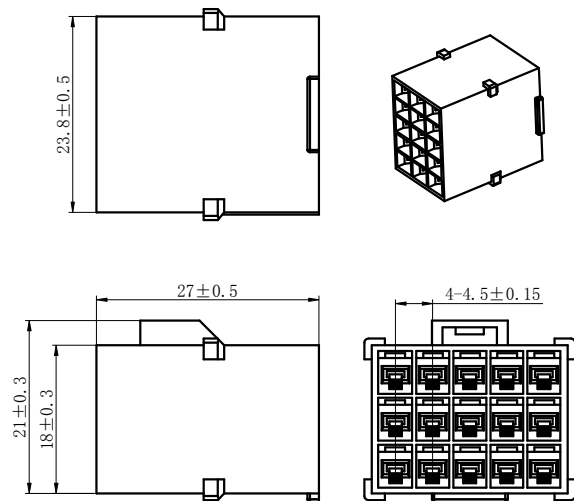
YL-9RF



YL-12RF



YL-15RF



| REV. | REVISION DESCRIPTION | DATE | APPD |
|------|----------------------|------|------|
| | | | |

NORES:

1. Rated voltage: 300V AC/DC
2. Rated current: 10A AC/DC
3. Contact resistance: ≤15 mΩ
4. Insulation resistance: ≥1000 mΩ
5. Withstand voltage: 1500V AC/minute
6. Ambient temperature: -40°C~105°C
7. Materials: Nylon UL94V-0(2)
8. Matched RoHS criteria

GENERAL TOLERANCES
(UNLESS SPECIFIED)

| | |
|--------------|--------------|
| .X: ± 0.25 | X°: ± 3.0° |
| .XX: ± 0.15 | .X°: ± 2.0° |
| .XXX: ± 0.01 | .XX°: ± 1.0° |

FINISH:

DRAWING NO:

ZHE JIANG DELI CONNECTORS CO., LTD

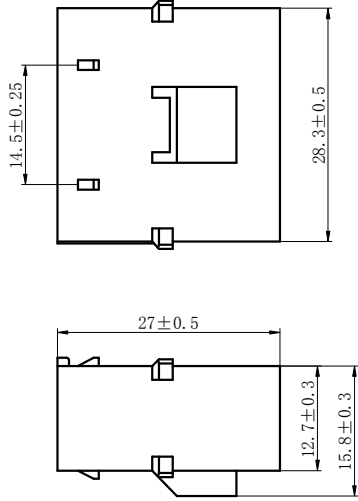
PRODUCT NAME: DL45002 (YL)-RF TITLE: 4.5 mm pitch Housing

DR: Chen Quan Long DATE: 22.10.10 PART NO:

CHKD: Wu Hui DATE: 22.10.10 SCALE: N/A PAGE: 2/3

APPD: Ren An De DATE: 22.10.10 UNITS: mm REV.: A

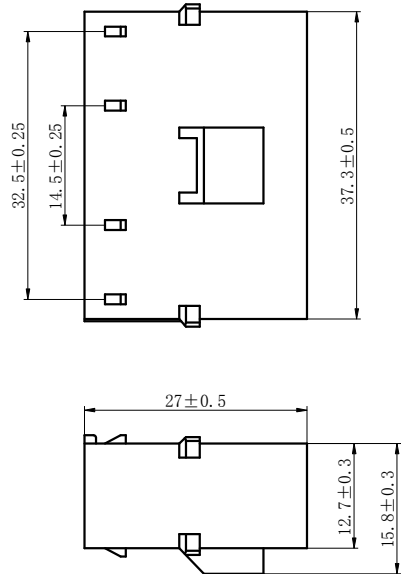
YL-12RFN



NORES:

1. Rated voltage: 300V AC/DC
2. Rated current: 10A AC/DC
3. Contact resistance: $\leq 15 \text{ m}\Omega$
4. Insulation resistance: $\geq 1000 \text{ m}\Omega$
5. Withstand voltage: 1500V AC/minute
6. Ambient temperature: $-40^\circ\text{C} \sim 105^\circ\text{C}$
7. Materials: Nylon UL94V-0(2)
8. Matched RoHS criteria

YL-16RF

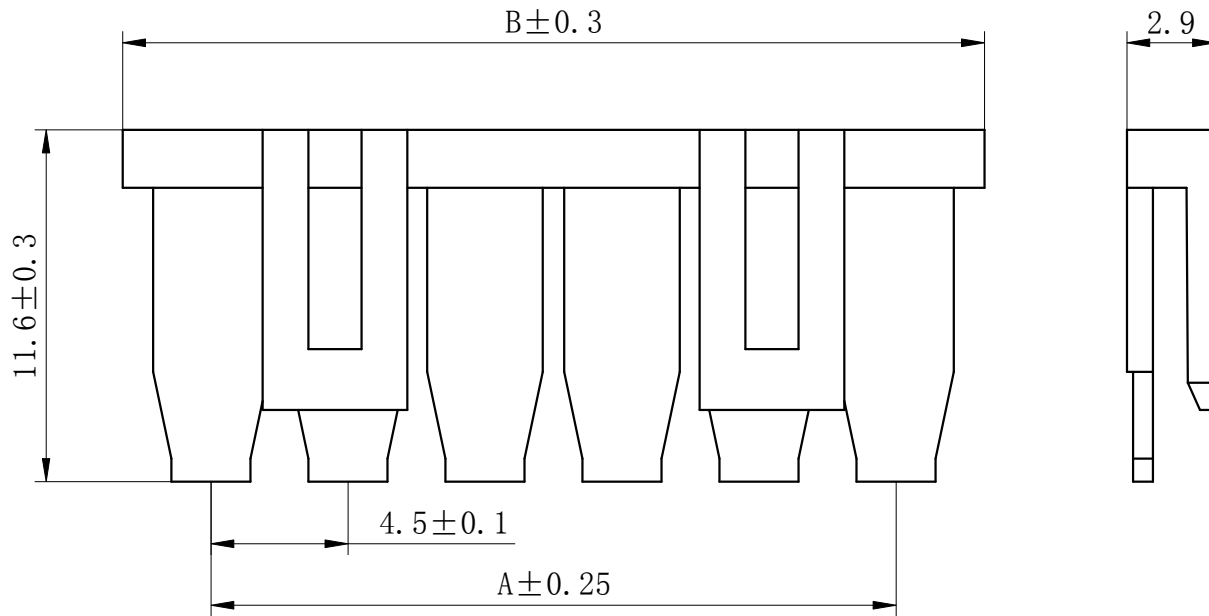


| | | | |
|------------------------------------------|-----------------------|----------------------------------------|--------------------------------|
| GENERAL TOLERANCES (UNLESS SPECIFIED) | | ZHE JIANG DELI CONNECTORS CO., LTD | |
| .X: ± 0.25 | X°: $\pm 3.0^\circ$ | PRODUCT NAME: DL45002(YL)-RF | TITLE: 4.5 mm pitch Housing |
| .XX: ± 0.15 | .X°: $\pm 2.0^\circ$ | DR: Chen Quan Long | DATE: 22.10.10 |
| .XXX: ± 0.01 | .XX°: $\pm 1.0^\circ$ | CHKD: Wu Hui | DATE: 22.10.10 |
| FINISH: | | APPD: Ren An De | DATE: 22.10.10 |
| DRAWING NO: | | UNITS: mm | REV.: A |

| REV. | REVISION DESCRIPTION | DATE | APPD |
|------|----------------------|------|------|
| | | | |

| | | | |
|------|----------------------|------|------|
| REV. | REVISION DESCRIPTION | DATE | APPD |
| | | | |

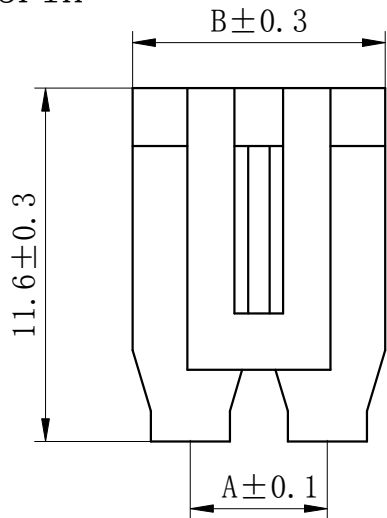
4-8Pin



NOTES

Available in 02.03.04.06.08 Circuits.
 Mates with DL45002 Series Housing.
 Material : Nylon UL94V-0(2).
 Green Material RoHS Compliant.

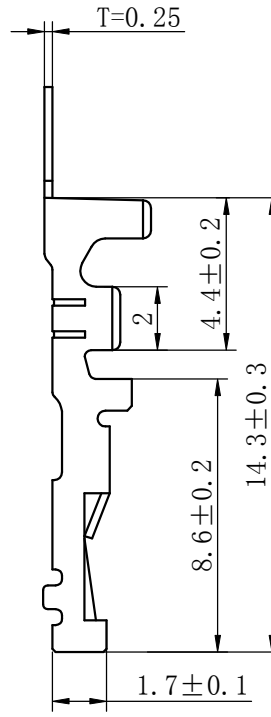
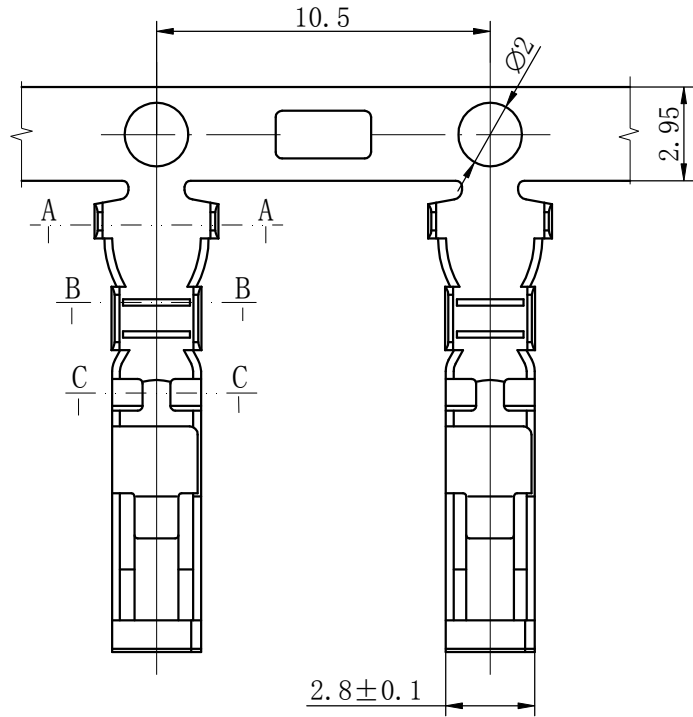
2-3Pin



| Circuits | Product name | Dimension mm | |
|----------|--------------|--------------|-------|
| | | A | B |
| 2 | YL-2S | 4.5 | 8.30 |
| 3 | YL-3S | 9.0 | 12.80 |
| 4 | YL-4S | 13.5 | 19.30 |
| 6 | YL-6S | 22.5 | 28.30 |
| 8 | YL-8S | 31.5 | 37.30 |

| | | | |
|------------------------------------------|---------------|----------------------------------------|------------------------------------------------|
| GENERAL TOLERANCES (UNLESS SPECIFIED) | | ZHE JIANG DELI CONNECTORS CO., LTD | |
| .X: ± 0.25 | X° : ± 3.0° | PRODUCT NAME: DL45002 (YL)-S | TITLE: 4.5 mm Pitch Wire To Wire Housing |
| .XX: ± 0.15 | .X° : ± 2.0° | DR:Chen Quan Long | DATE:22/05/26 |
| .XXX: ± 0.01 | .XX° : ± 1.0° | CHKD: Wu Hui | DATE:22/05/26 |
| FINISH: | | APPD:Liu Bing | DATE:22/05/26 |
| DRAWING NO: | | SCALE: N/A | PAGE: 1/1 |
| | | UNITS: mm | REV.: A |

| REV. | REVISION DESCRIPTION | DATE | APPD |
|------|----------------------|------|------|
| | | | |



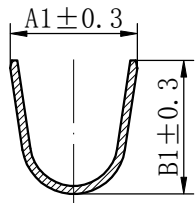
NOTES

Used in DL45002-Y Series Housing.
Accepts AWG #28~16 Wire Range.

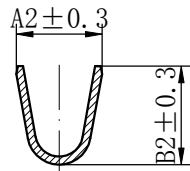
Material : Phosphor Bronze .

Finish: Tin plated.

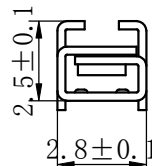
Thickness: 0.25 mm.



SECTION A-A



SECTION B-B

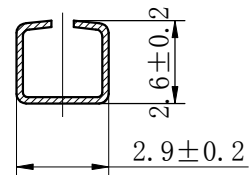
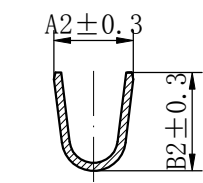
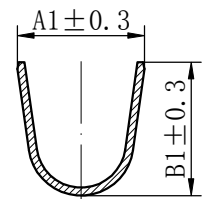
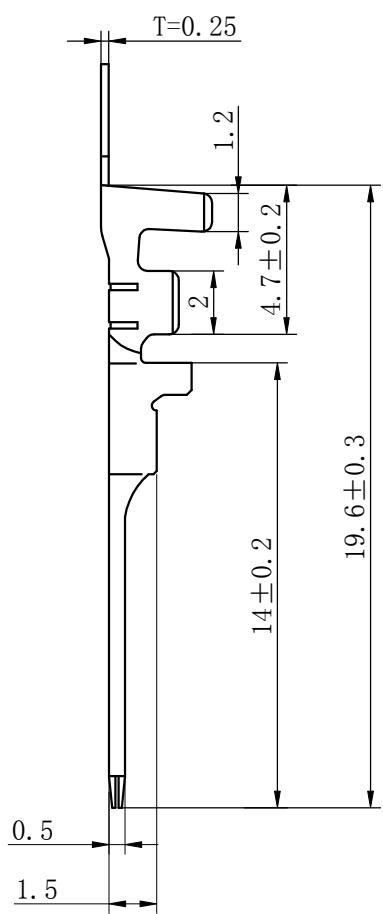
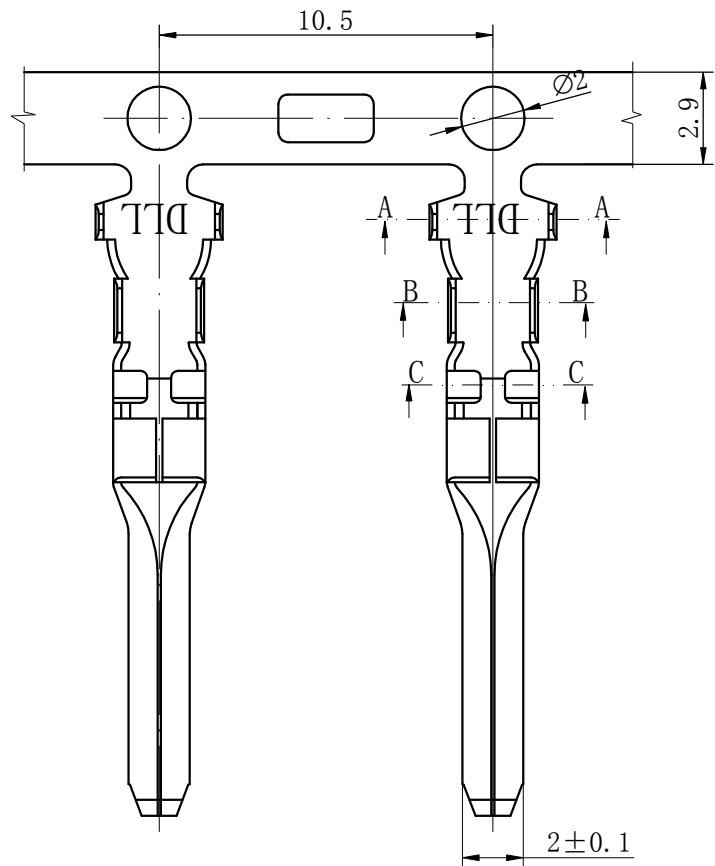


SECTION C-C

| TYPE | Dimension mm | | | | 适用线规 |
|--------|--------------|-----|-----|-----|--------|
| | A1 | B1 | A2 | B2 | AWG |
| YL-T-G | 4.2 | 4.1 | 2.7 | 3.1 | #20-16 |
| YL-T | 3.5 | 3.5 | 2.2 | 2.2 | #28-20 |

| GENERAL TOLERANCES (UNLESS SPECIFIED) | | ZHE JIANG DELI CONNECTORS CO.,LTD | | | |
|------------------------------------------|---------------|-----------------------------------|---------------|---------------------------------|-----------|
| .X: ± 0.25 | X° : ± 3.0° | PRODUCT NAME: | | TITLE: | |
| .XX: ± 0.15 | .X° : ± 2.0° | DL45002 (YL)-T | | 4.50 mm Pitch Crimp Terminal | |
| .XXX: ± 0.01 | .XX° : ± 1.0° | DR:Chen Quan Long | DATE:21/08/01 | PART NO: | |
| FINISH: | | CHKD: Wu Hui | DATE:21/08/01 | SCALE: N/A | PAGE: 1/1 |
| DRAWING NO: | | APPD:Ren An De | DATE:21/08/01 | UNITS: mm | REV.: A |

| REV. | REVISION DESCRIPTION | DATE | APPD |
|------|----------------------|------|------|
| | | | |



NOTES

Used in DL45002-Y Series Housing.
 Accepts AWG #28~16 Wire Range.
 Material : Phosphor Bronze .
 Finish: Tin plated.
 Thickness: 0.25 mm.

| TYPE | Dimension mm | | | | 适用线规 AWG |
|---------|--------------|-----|-----|-----|-------------|
| | A1 | B1 | A2 | B2 | |
| YL-RT-G | 4.0 | 4.1 | 2.3 | 3.1 | #20-16 |
| YL-RT | 3.5 | 3.5 | 2.2 | 2.2 | #28-20 |

| GENERAL TOLERANCES (UNLESS SPECIFIED) | | ZHE JIANG DELI CONNECTORS CO., LTD | | |
|------------------------------------------|--------------|-----------------------------------------|----------------|-------------------------------------------|
| .X: ± 0.25 | X°: ± 3.0° | PRODUCT NAME: DL45002 (YL)-RT | | TITLE: 4.50 mm Pitch Crimp Terminal |
| .XX: ± 0.15 | .X°: ± 2.0° | DR: Chen Quan Long | DATE: 21/08/01 | PART NO: |
| .XXX: ± 0.01 | .XX°: ± 1.0° | CHKD: Wu Hui | DATE: 21/08/01 | SCALE: N/A |
| FINISH: | | APPD: Ren An De | DATE: 21/08/01 | PAGE: 1/1 |
| DRAWING NO: | | | | UNITS: mm |
| | | | | REV.: A |

X-ON Electronics

Largest Supplier of Electrical and Electronic Components

Click to view similar products for [Headers & Wire Housings](#) category:

Click to view products by [DLL](#) manufacturer:

Other Similar products are found below :

[0015917161](#) [0022155065](#) [57102-F02-18ULF](#) [58102-G61-06LF](#) [582553-1](#) [01.001.5753.1](#) [0050291907](#) [02.125.8002.8](#) [609-3404](#) [61062-3](#)
[CSU011177004](#) [622-0430](#) [622-3653LF](#) [63453-116](#) [636-1030](#) [636-1427](#) [636-3427](#) [636-4007](#) [641938-9](#) [65495-038](#) [65692-001LF](#) [65781-018](#)
[65781-047](#) [65817-010LF](#) [65817-015LF](#) [67095-007LF](#) [67601157](#) [68631-112](#) [699319-000](#) [70.362.1628.0](#) [70-4210](#) [70-4226B](#) [70-4853B](#) [707-](#)
[5028](#) [71.350.2428.0](#) [733-134](#) [733-162](#) [760-3052](#) [MHR-64-VUAL](#) [80.063.4001.1](#) [800-90-001-10-001000](#) [801-43-002-10-013000](#)
[801-43-006-10-002000](#) [803-43-024-10-001000](#) [803-93-012-10-001000](#) [8-1437020-4](#) [819-22-004-30-001101](#) [820-22-006-30-001101](#)
[820-22-008-30-001101](#) [821-22-002-10-001101](#)