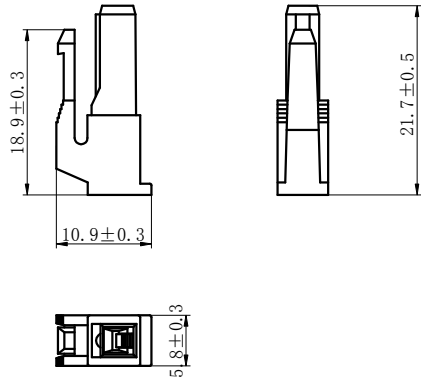


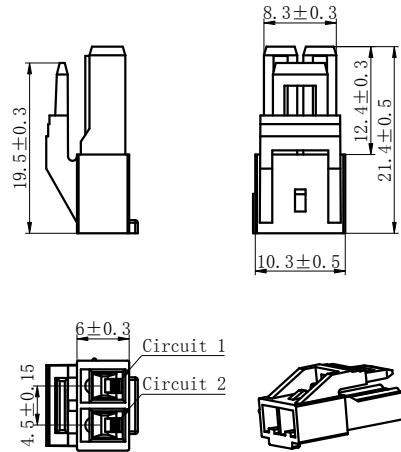
技术特性/Specifications:

额定电压 Rated voltage: 300V AC, DC
额定电流 Rated current: 10A AC, DC
接触电阻 Contact resistance: 15m Ω max
绝缘电阻 Insulation resistance: 1000M Ω min
耐压 Withstand voltage: 1500V AC/minute
环境温度 Ambient temperature: -40 $^{\circ}$ C~+105 $^{\circ}$ C
适用线规 Wire range: AWG#28~#16

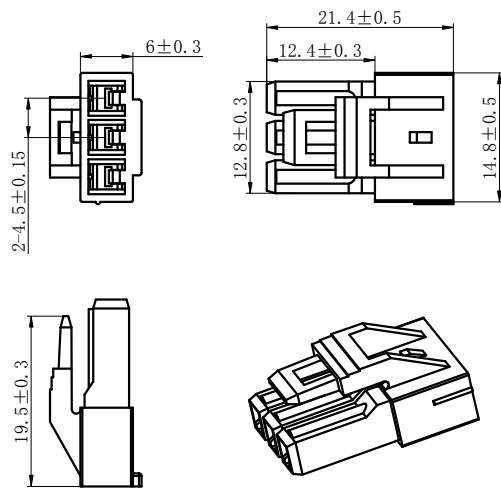
YL-1Y



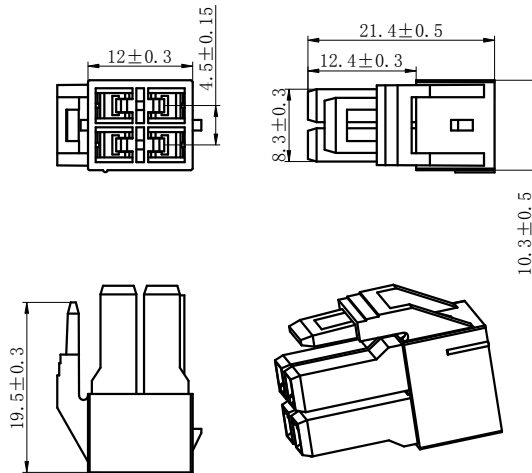
YL-2Y



YL-3Y



YL-4Y



REV.	REVISION DESCRIPTION	DATE	APPD

NORES:

1. Rated voltage: 300V AC/DC
2. Rated current: 10A AC/DC
3. Contact resistance: $\leq 15 \text{ m}\Omega$
4. Insulation resistance: $\geq 1000 \text{ m}\Omega$
5. Withstand voltage: 1500V AC/minute
6. Ambient temperature: $-40^\circ\text{C} \sim 105^\circ\text{C}$
7. Materials: Nylon UL94V-0(2)
8. Matched RoHS criteria

GENERAL TOLERANCES (UNLESS SPECIFIED)

ZHE JIANG DELI CONNECTORS CO., LTD

.X: ± 0.25 X°: $\pm 3.0^\circ$

PRODUCT NAME:

TITLE:

.XX: ± 0.15 .X°: $\pm 2.0^\circ$

DL45002 (YL)-Y

4.5 mm pitch Housing

.XXX: ± 0.01 .XX°: $\pm 1.0^\circ$

DR: Chen Quan Long DATE: 22.10.10

PART NO:

FINISH:

CHKD: Wu Hui DATE: 22.10.10

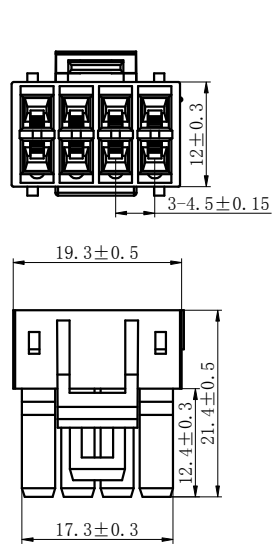
SCALE: N/A PAGE: 1/3

DRAWING NO:

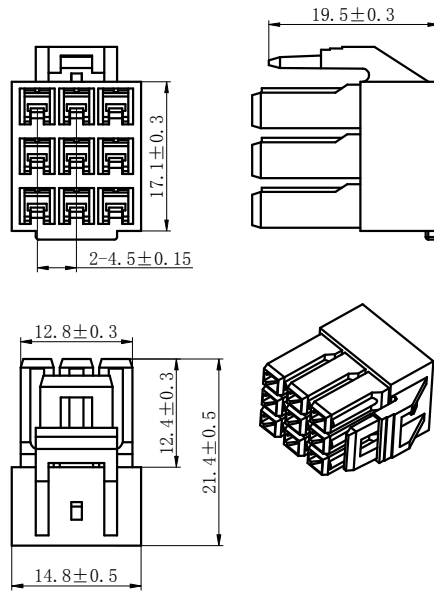
APPD: Ren An De DATE: 22.10.10

UNITS: mm REV.: A

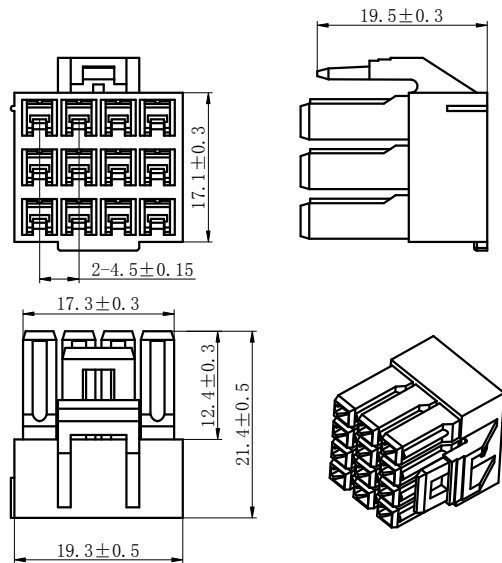
YL-8Y



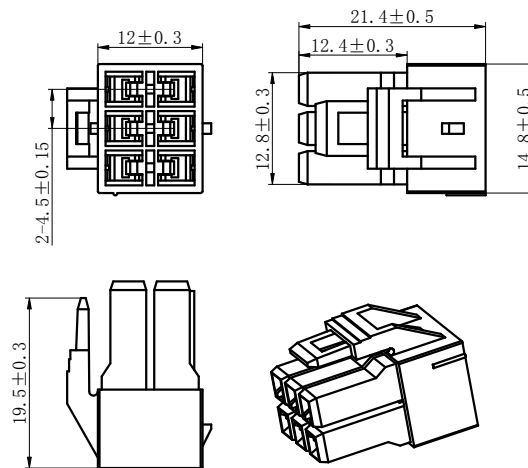
YL-9Y



YL-12Y



YL-6Y



REV.	REVISION DESCRIPTION	DATE	APPD

NORES:

1. Rated voltage: 300V AC/DC
2. Rated current: 10A AC/DC
3. Contact resistance: $\leq 15 \text{ m}\Omega$
4. Insulation resistance: $\geq 1000 \text{ m}\Omega$
5. Withstand voltage: 1500V AC/minute
6. Ambient temperature: $-40^\circ\text{C} \sim 105^\circ\text{C}$
7. Materials: Nylon UL94V-0(2)
8. Matched RoHS criteria

GENERAL TOLERANCES
(UNLESS SPECIFIED)

ZHE JIANG DELI CONNECTORS CO., LTD

.X: ± 0.25 X°: $\pm 3.0^\circ$

PRODUCT NAME:

TITLE:

.XX: ± 0.15 .X°: $\pm 2.0^\circ$

DL45002 (YL)-Y

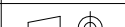
4.5 mm pitch Housing

.XXX: ± 0.01 .XX°: $\pm 1.0^\circ$

DR: Chen Quan Long DATE: 22.10.10

PART NO:

FINISH:



CHKD: Wu Hui DATE: 22.10.10

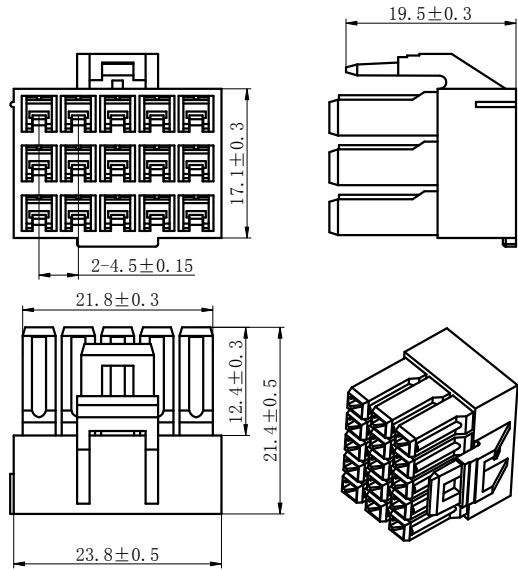
SCALE: N/A PAGE: 2/3

DRAWING NO:

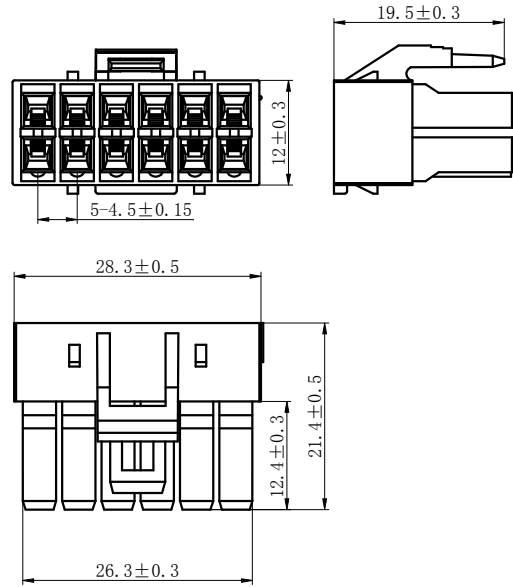
APPD: Ren An De DATE: 22.10.10

UNITS: mm REV.: A

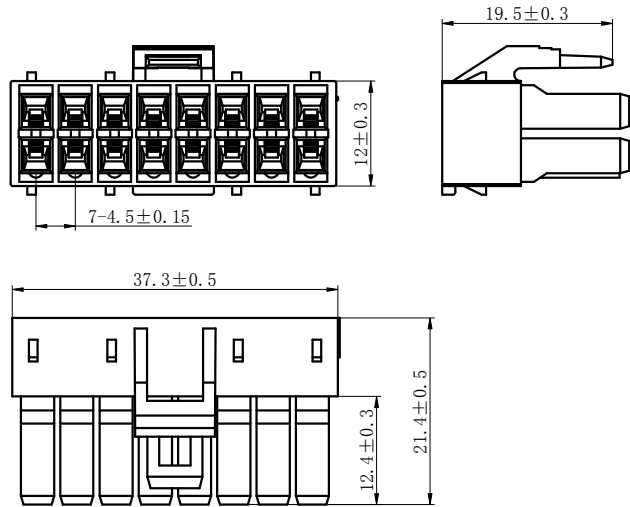
YL-15Y



YL-12YN



YL-16Y



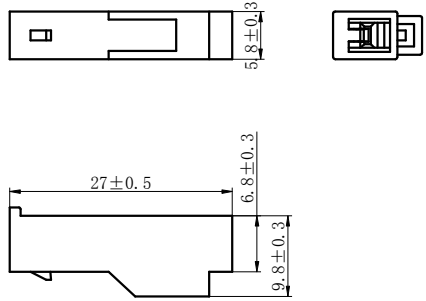
REV.	REVISION DESCRIPTION	DATE	APPD

NORES:

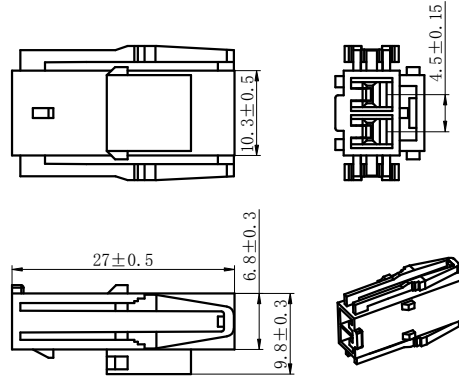
1. Rated voltage: 300V AC/DC
2. Rated current: 10A AC/DC
3. Contact resistance: $\leq 15 \text{ m}\Omega$
4. Insulation resistance: $\geq 1000 \text{ m}\Omega$
5. Withstand voltage: 1500V AC/minute
6. Ambient temperature: $-40^\circ\text{C} \sim 105^\circ\text{C}$
7. Materials: Nylon UL94V-0(2)
8. Matched RoHS criteria

GENERAL TOLERANCES (UNLESS SPECIFIED)		ZHE JIANG DELI CONNECTORS CO., LTD	
.X: ± 0.25	X°: $\pm 3.0^\circ$	PRODUCT NAME:	TITLE:
.XX: ± 0.15	.X°: $\pm 2.0^\circ$	DL45002(YL)-Y	4.5 mm pitch Housing
.XXX: ± 0.01	.XX°: $\pm 1.0^\circ$	DR:Chen Quan Long	DATE:22.10.10
FINISH:		CHKD: Wu Hui	DATE:22.10.10
DRAWING NO:		APPD:Ren An De	DATE:22.10.10
		SCALE: N/A	PAGE: 3/3
		UNITS: mm	REV.: A

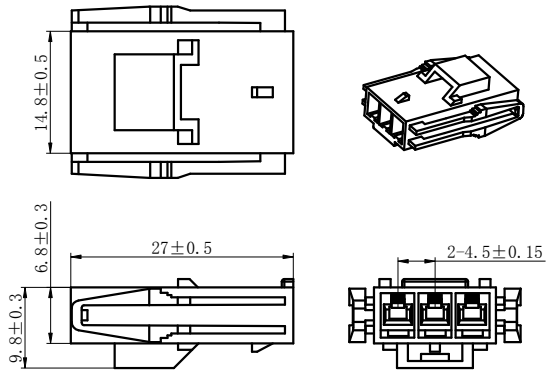
YL-1R



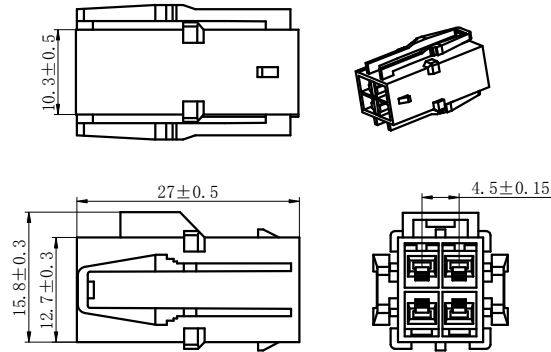
YL-2R



YL-3R



YL-4R



REV.	REVISION DESCRIPTION	DATE	APPD

NORES:

1. Rated voltage: 300V AC/DC
2. Rated current: 10A AC DC
3. Contact resistance: $\leq 15 \text{ m}\Omega$
4. Insulation resistance: $\geq 1000 \text{ m}\Omega$
5. Withstand voltage: 1500V AC/minute
6. Ambient temperature: $-40^\circ\text{C} \sim 105^\circ\text{C}$
7. Materials: Nylon UL94V-0(2)
8. Matched RoHS criteria

GENERAL TOLERANCES
(UNLESS SPECIFIED)

.X: ± 0.25	X°: $\pm 3.0^\circ$
.XX: ± 0.15	.X°: $\pm 2.0^\circ$
.XXX: ± 0.01	.XX°: $\pm 1.0^\circ$

FINISH:

DRAWING NO:

ZHE JIANG DELI CONNECTORS CO., LTD

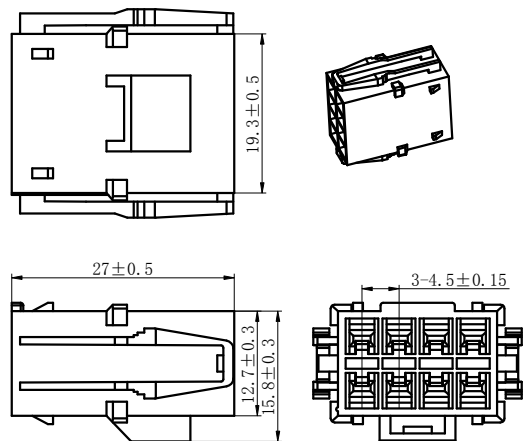
PRODUCT NAME: **DL45002(YL)-R** TITLE: 4.5 mm pitch Housing

DR: Chen Quan Long DATE: 22.10.10 PART NO:

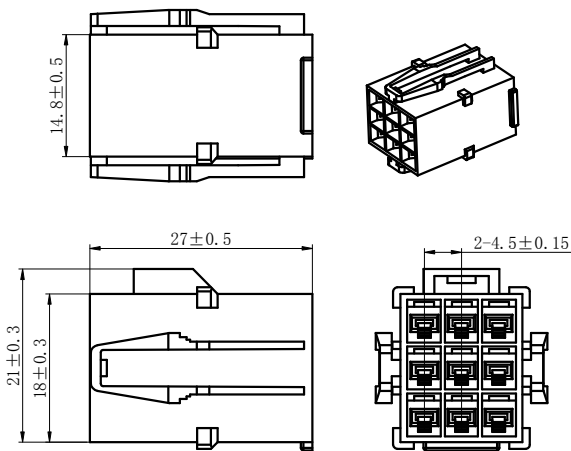
CHKD: Wu Hui DATE: 22.10.10 SCALE: N/A PAGE: 1/3

APPD: Ren An De DATE: 22.10.10 UNITS: mm REV.: A

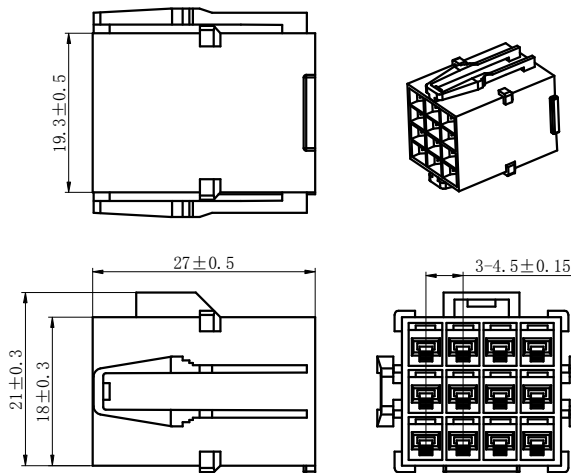
YL-8R



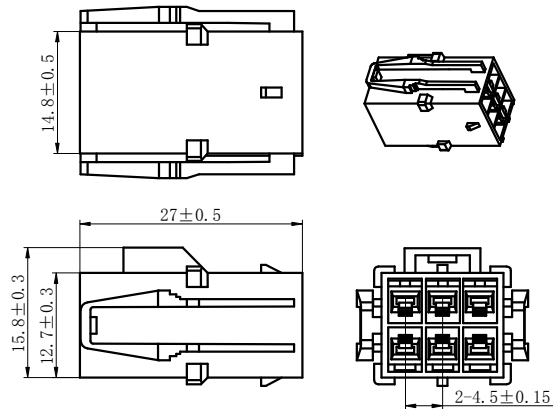
YL-9R



YL-12R



YL-6R



REV.	REVISION DESCRIPTION	DATE	APPD

NORES:

1. Rated voltage: 300V AC/DC
2. Rated current: 10A AC DC
3. Contact resistance: $\leq 15 \text{ m}\Omega$
4. Insulation resistance: $\geq 1000 \text{ m}\Omega$
5. Withstand voltage: 1500V AC/minute
6. Ambient temperature: $-40^\circ\text{C} \sim 105^\circ\text{C}$
7. Materials: Nylon UL94V-0(2)
8. Matched RoHS criteria

GENERAL TOLERANCES (UNLESS SPECIFIED)

.X: ± 0.25	X°: $\pm 3.0^\circ$
.XX: ± 0.15	.X°: $\pm 2.0^\circ$
.XXX: ± 0.01	.XX°: $\pm 1.0^\circ$

ZHE JIANG DELI CONNECTORS CO., LTD

PRODUCT NAME: DL45002 (YL)-R	TITLE: 4.5 mm pitch Housing
DR:Chen Quan Long DATE:22.10.10	PART NO:
CHKD: Wu Hui DATE:22.10.10	SCALE: N/A PAGE: 2/3
APPD:Ren An De DATE:22.10.10	UNITS: mm REV.: A

DRAWING NO:

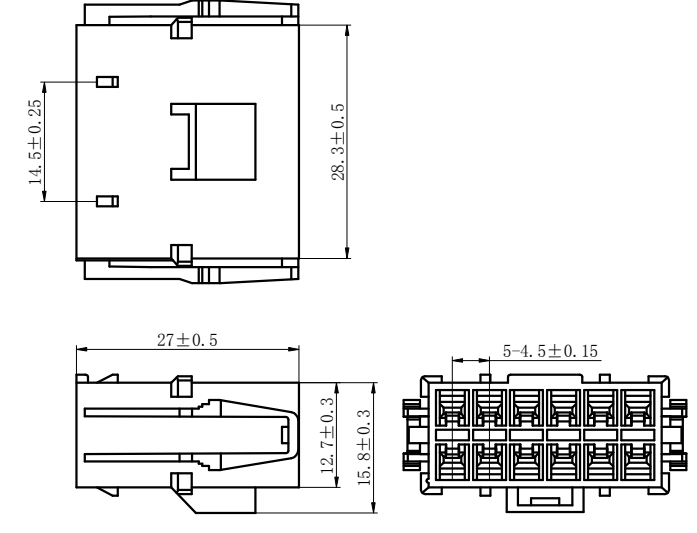
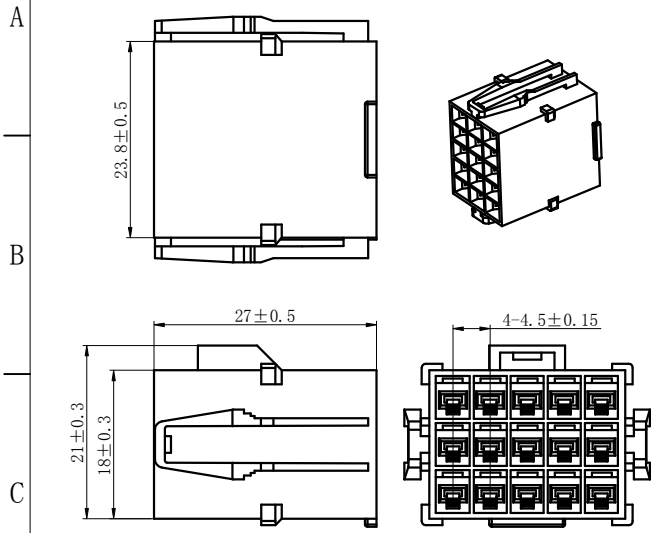
YL-15R

YL-12RN

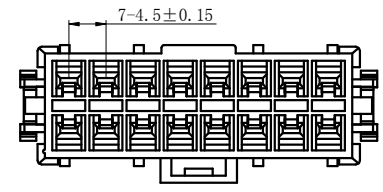
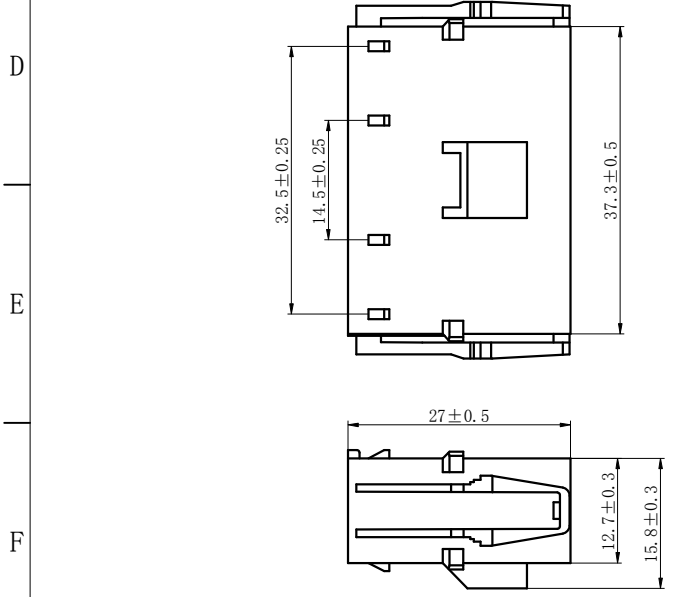
REV.	REVISION DESCRIPTION	DATE	APPD

NORES:

1. Rated voltage: 300V AC/DC
2. Rated current: 10A AC/DC
3. Contact resistance: $\leq 15 \text{ m}\Omega$
4. Insulation resistance: $\geq 1000 \text{ m}\Omega$
5. Withstand voltage: 1500V AC/minute
6. Ambient temperature: $-40^{\circ}\text{C} \sim 105^{\circ}\text{C}$
7. Materials: Nylon UL94V-0(2)
8. Matched RoHS criteria

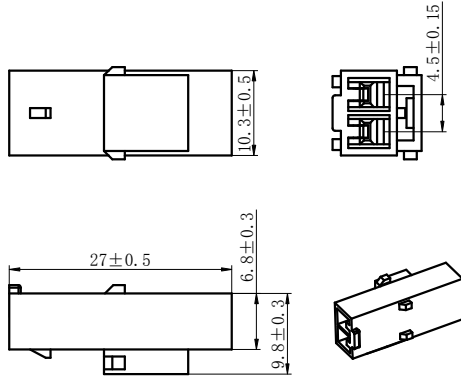


YL-16R

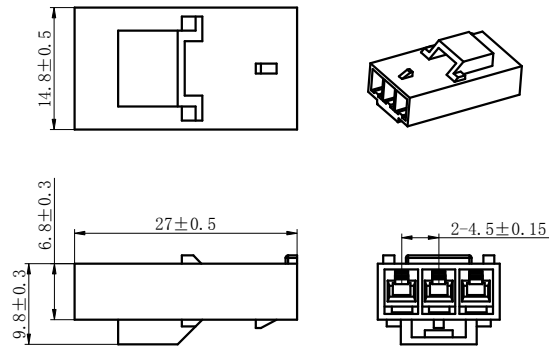


GENERAL TOLERANCES (UNLESS SPECIFIED)		ZHE JIANG DELI CONNECTORS CO., LTD	
.X: ± 0.25	X°: $\pm 3.0^{\circ}$	PRODUCT NAME: DL45002(YL)-R	TITLE: 4.5 mm pitch Housing
.XX: ± 0.15	.X°: $\pm 2.0^{\circ}$	DR:Chen Quan Long	DATE:22.10.10
.XXX: ± 0.01	.XX°: $\pm 1.0^{\circ}$	CHKD: Wu Hui	DATE:22.10.10
FINISH:		APPD:Ren An De	DATE:22.10.10
DRAWING NO:		UNITS: mm	PAGE: 3/3 REV.: A

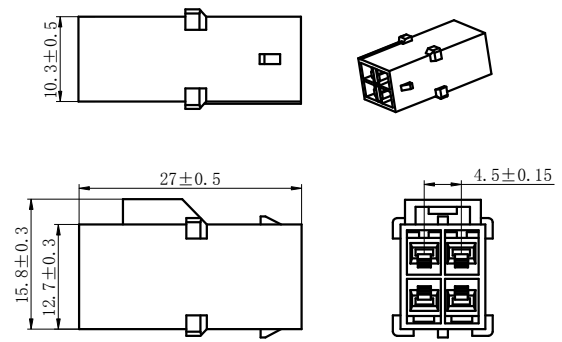
YL-2RF



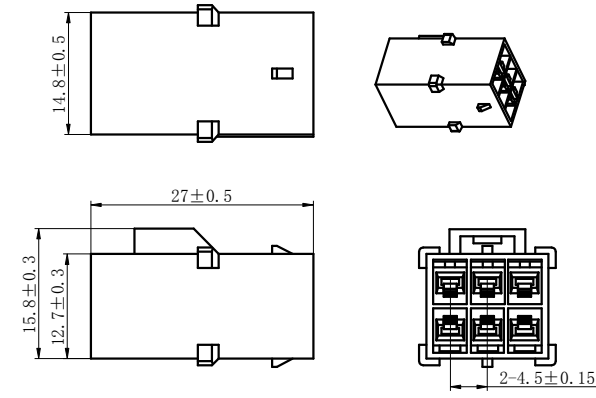
YL-3RF



YL-4RF



YL-6RF



REV.	REVISION DESCRIPTION	DATE	APPD

NORES:

1. Rated voltage: 300V AC/DC
2. Rated current: 10A AC DC
3. Contact resistance: $\leq 15 \text{ m}\Omega$
4. Insulation resistance: $\geq 1000 \text{ m}\Omega$
5. Withstand voltage: 1500V AC/minute
6. Ambient temperature: $-40^\circ\text{C} \sim 105^\circ\text{C}$
7. Materials: Nylon UL94V-0(2)
8. Matched RoHS criteria

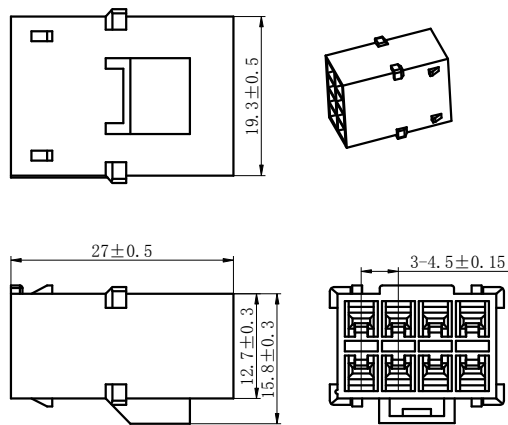
GENERAL TOLERANCES (UNLESS SPECIFIED)

.X: ± 0.25	X°: $\pm 3.0^\circ$
.XX: ± 0.15	.X°: $\pm 2.0^\circ$
.XXX: ± 0.01	.XX°: $\pm 1.0^\circ$
FINISH:	
DRAWING NO:	

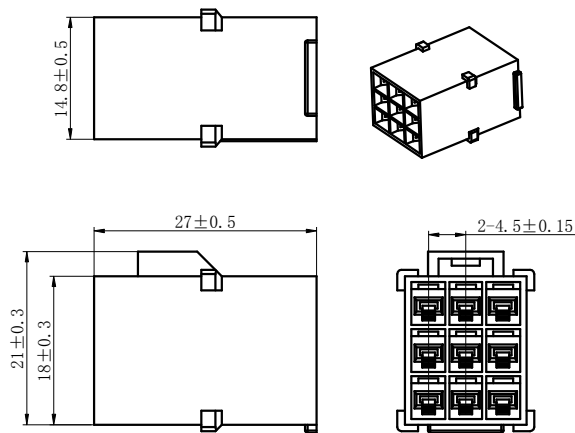
ZHE JIANG DELI CONNECTORS CO., LTD

PRODUCT NAME: DL45002 (YL)-RF	TITLE: 4.5 mm pitch Housing
DR: Chen Quan Long	DATE: 22.10.10
CHKD: Wu Hui	DATE: 22.10.10
APPD: Ren An De	DATE: 22.10.10
SCALE: N/A	PAGE: 1/3
UNITS: mm	REV.: A

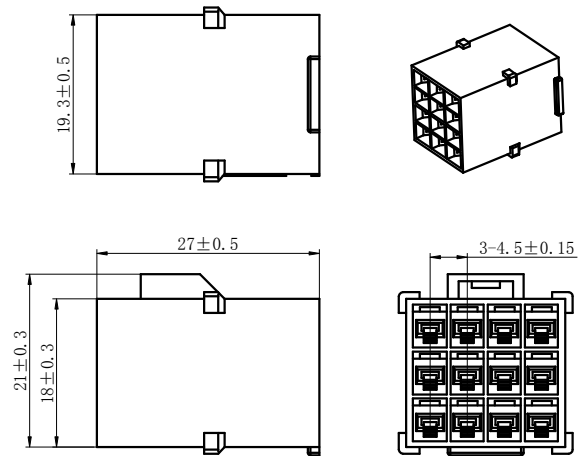
YL-8RF



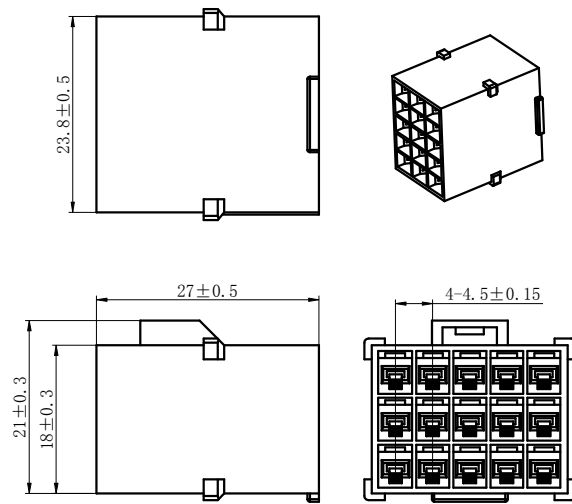
YL-9RF



YL-12RF



YL-15RF



REV.	REVISION DESCRIPTION	DATE	APPD

NORES:

1. Rated voltage: 300V AC/DC
2. Rated current: 10A AC/DC
3. Contact resistance: ≤15 mΩ
4. Insulation resistance: ≥1000 mΩ
5. Withstand voltage: 1500V AC/minute
6. Ambient temperature: -40°C~105°C
7. Materials: Nylon UL94V-0(2)
8. Matched RoHS criteria

GENERAL TOLERANCES (UNLESS SPECIFIED)

.X: ± 0.25	X°: ± 3.0°
.XX: ± 0.15	.X°: ± 2.0°
.XXX: ± 0.01	.XX°: ± 1.0°

FINISH:

DRAWING NO:

ZHE JIANG DELI CONNECTORS CO., LTD

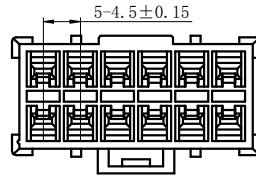
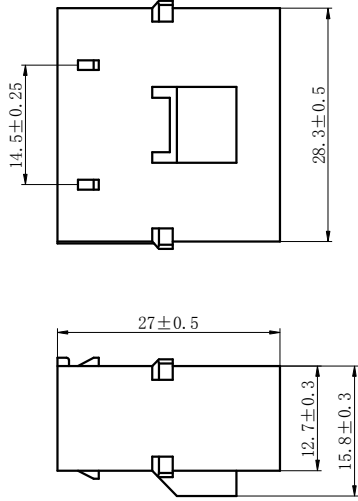
PRODUCT NAME: DL45002(YL)-RF	TITLE: 4.5 mm pitch Housing
--	--------------------------------

DR: Chen Quan Long	DATE: 22.10.10	PART NO:
--------------------	----------------	----------

CHKD: Wu Hui	DATE: 22.10.10	SCALE: N/A	PAGE: 2/3
--------------	----------------	------------	-----------

APPD: Ren An De	DATE: 22.10.10	UNITS: mm	REV.: A
-----------------	----------------	-----------	---------

YL-12RFN

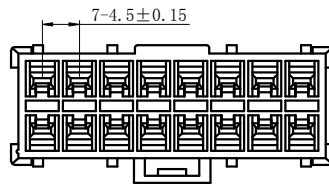
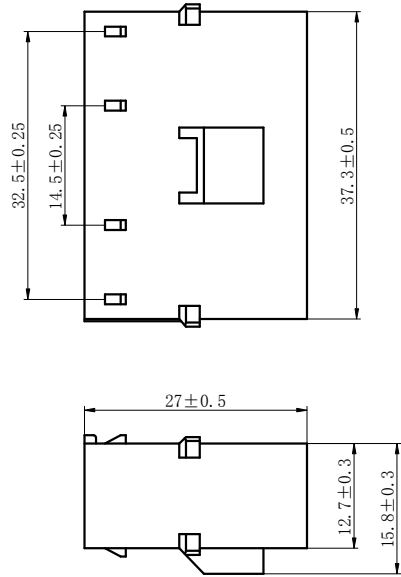


NORES:

1. Rated voltage: 300V AC/DC
2. Rated current: 10A AC/DC
3. Contact resistance: $\leq 15 \text{ m}\Omega$
4. Insulation resistance: $\geq 1000 \text{ m}\Omega$
5. Withstand voltage: 1500V AC/minute
6. Ambient temperature: $-40^\circ\text{C} \sim 105^\circ\text{C}$
7. Materials: Nylon UL94V-0(2)
8. Matched RoHS criteria

REV.	REVISION DESCRIPTION	DATE	APPD

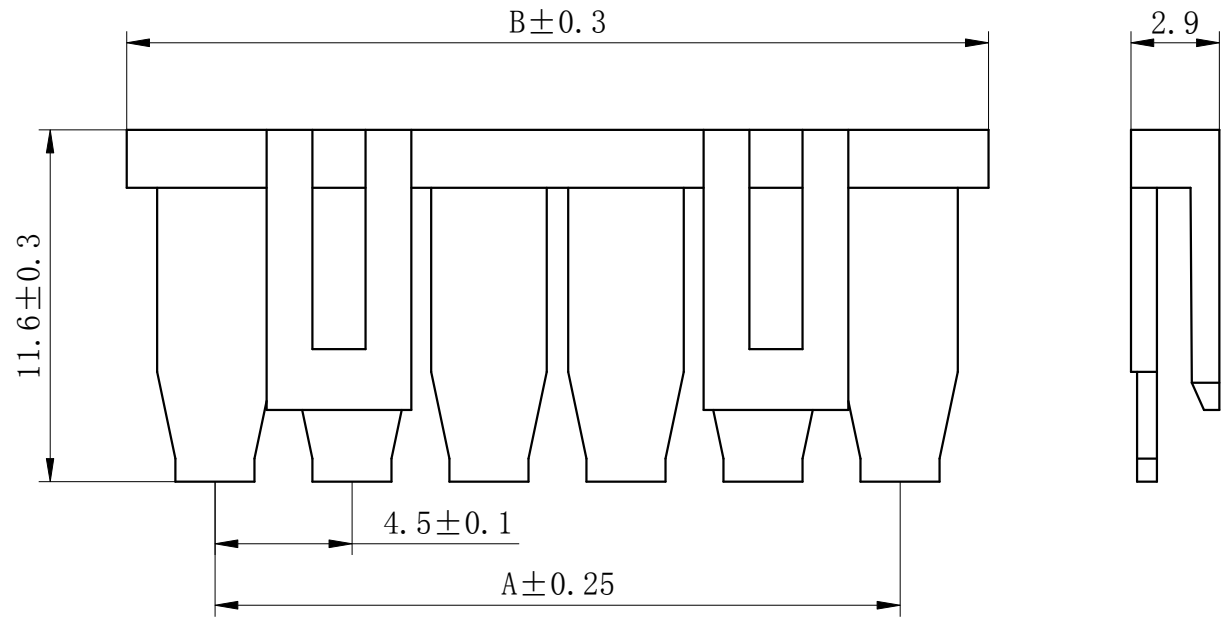
YL-16RF



GENERAL TOLERANCES (UNLESS SPECIFIED)		ZHE JIANG DELI CONNECTORS CO., LTD	
.X: ± 0.25	X°: $\pm 3.0^\circ$	PRODUCT NAME:	TITLE:
.XX: ± 0.15	.X°: $\pm 2.0^\circ$	DL45002(YL)-RF	4.5 mm pitch Housing
.XXX: ± 0.01	.XX°: $\pm 1.0^\circ$	DR:Chen Quan Long	DATE:22.10.10
FINISH:		CHKD: Wu Hui	DATE:22.10.10
DRAWING NO:		APPD:Ren An De	DATE:22.10.10
			SCALE: N/A
			PAGE: 3/3
			UNITS: mm
			REV.: A

REV.	REVISION DESCRIPTION	DATE	APPD

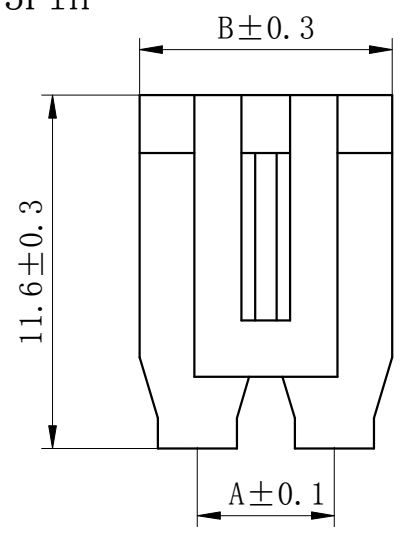
4-8Pin



NOTES

Available in 02.03.04.06.08 Circuits.
 Mates with DL45002 Series Housing.
 Material : Nylon UL94V-0(2).
 Green Material RoHS Compliant.

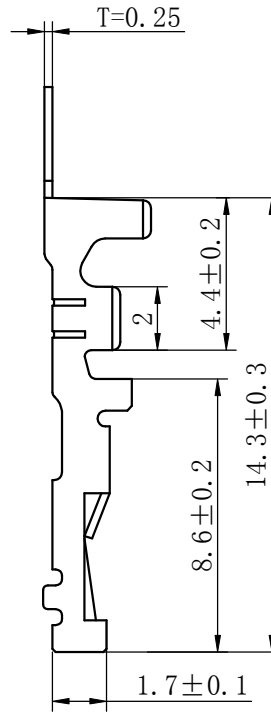
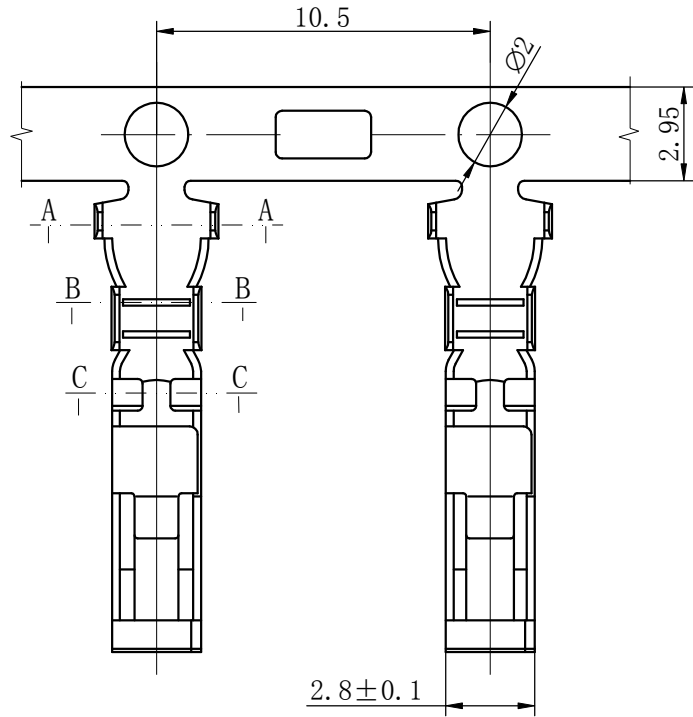
2-3Pin



Circuits	Product name	Dimension mm	
		A	B
2	YL-2S	4.5	8.30
3	YL-3S	9.0	12.80
4	YL-4S	13.5	19.30
6	YL-6S	22.5	28.30
8	YL-8S	31.5	37.30

GENERAL TOLERANCES (UNLESS SPECIFIED)		ZHE JIANG DELI CONNECTORS CO., LTD	
.X: ± 0.25	X° : ± 3.0°	PRODUCT NAME: DL45002 (YL)-S	TITLE: 4.5 mm Pitch Wire To Wire Housing
.XX: ± 0.15	.X° : ± 2.0°	DR:Chen Quan Long	DATE:22/05/26
.XXX: ± 0.01	.XX° : ± 1.0°	CHKD: Wu Hui	DATE:22/05/26
FINISH:		APPD:Liu Bing	DATE:22/05/26
DRAWING NO:		SCALE: N/A	PAGE: 1/1
		UNITS: mm	REV.: A

REV.	REVISION DESCRIPTION	DATE	APPD



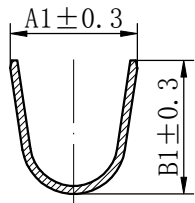
NOTES

Used in DL45002-Y Series Housing.
Accepts AWG #28~16 Wire Range.

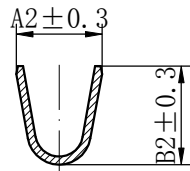
Material : Phosphor Bronze .

Finish: Tin plated.

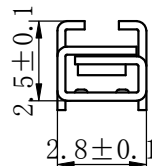
Thickness: 0.25 mm.



SECTION A-A



SECTION B-B

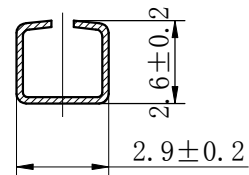
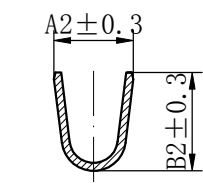
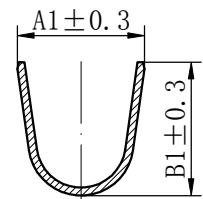
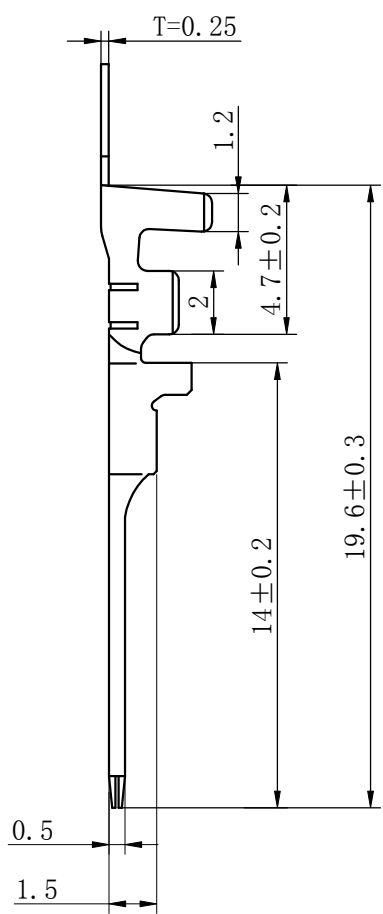
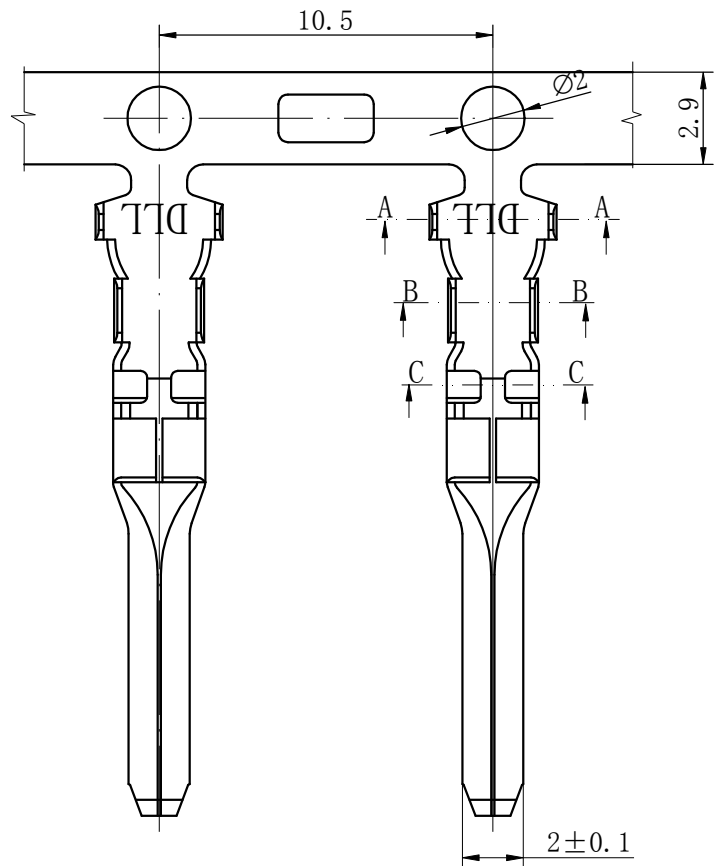


SECTION C-C

TYPE	Dimension mm				适用线规 AWG
	A1	B1	A2	B2	
YL-T-G	4.2	4.1	2.7	3.1	#20-16
YL-T	3.5	3.5	2.2	2.2	#28-20

GENERAL TOLERANCES (UNLESS SPECIFIED)		ZHE JIANG DELI CONNECTORS CO., LTD	
.X: ± 0.25	X° : ± 3.0°	PRODUCT NAME:	TITLE:
.XX: ± 0.15	.X° : ± 2.0°	DL45002 (YL)-T	4.50 mm Pitch Crimp Terminal
.XXX: ± 0.01	.XX° : ± 1.0°	DR:Chen Quan Long	DATE:21/08/01
FINISH:		CHKD: Wu Hui	DATE:21/08/01
DRAWING NO:		APPD:Ren An De	DATE:21/08/01
			PART NO:
			SCALE: N/A
			PAGE: 1/1
			UNITS: mm
			REV.: A

REV.	REVISION DESCRIPTION	DATE	APPD



NOTES

Used in DL45002-Y Series Housing.
 Accepts AWG #28~16 Wire Range.
 Material : Phosphor Bronze .
 Finish: Tin plated.
 Thickness: 0.25 mm.

TYPE	Dimension mm				适用线规 AWG
	A1	B1	A2	B2	
YL-RT-G	4.0	4.1	2.3	3.1	#20-16
YL-RT	3.5	3.5	2.2	2.2	#28-20

GENERAL TOLERANCES (UNLESS SPECIFIED)		ZHE JIANG DELI CONNECTORS CO., LTD	
.X: ± 0.25	X°: ± 3.0°	PRODUCT NAME: DL45002 (YL)-RT	TITLE: 4.50 mm Pitch Crimp Terminal
.XX: ± 0.15	.X°: ± 2.0°	DR: Chen Quan Long	DATE: 21/08/01
.XXX: ± 0.01	.XX°: ± 1.0°	CHKD: Wu Hui	DATE: 21/08/01
FINISH:		APPD: Ren An De	DATE: 21/08/01
DRAWING NO:		UNITS: mm	SCALE: N/A
			PAGE: 1/1
			REV.: A

SECTION A-A

SECTION B-B

SECTION C-C

X-ON Electronics

Largest Supplier of Electrical and Electronic Components

Click to view similar products for [Headers & Wire Housings](#) category:

Click to view products by [DLL](#) manufacturer:

Other Similar products are found below :

[0015917161](#) [0022155065](#) [57102-F02-18ULF](#) [58102-G61-06LF](#) [582553-1](#) [01.001.5753.1](#) [0050291907](#) [02.125.8002.8](#) [609-3404](#) [61062-3](#)
[CSU011177004](#) [622-0430](#) [622-3653LF](#) [63453-116](#) [636-1030](#) [636-1427](#) [636-3427](#) [636-4007](#) [641938-9](#) [65495-038](#) [65692-001LF](#) [65781-018](#)
[65781-047](#) [65817-010LF](#) [65817-015LF](#) [67095-007LF](#) [67601157](#) [68631-112](#) [699319-000](#) [70.362.1628.0](#) [70-4210](#) [70-4226B](#) [70-4853B](#) [707-](#)
[5028](#) [71.350.2428.0](#) [733-134](#) [733-162](#) [760-3052](#) [MHR-64-VUAL](#) [80.063.4001.1](#) [800-90-001-10-001000](#) [801-43-002-10-013000](#)
[801-43-006-10-002000](#) [803-43-024-10-001000](#) [803-93-012-10-001000](#) [8-1437020-4](#) [819-22-004-30-001101](#) [820-22-006-30-001101](#)
[820-22-008-30-001101](#) [821-22-002-10-001101](#)