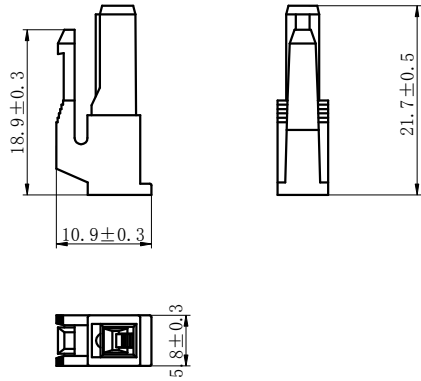


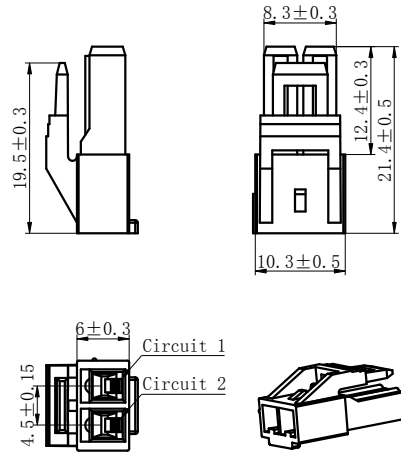
技术特性/Specifications:

额定电压 Rated voltage: 300V AC, DC
额定电流 Rated current: 10A AC, DC
接触电阻 Contact resistance: 15m Ω max
绝缘电阻 Insulation resistance: 1000M Ω min
耐压 Withstand voltage: 1500V AC/minute
环境温度 Ambient temperature: -40 $^{\circ}$ C~+105 $^{\circ}$ C
适用线规 Wire range: AWG#28~#16

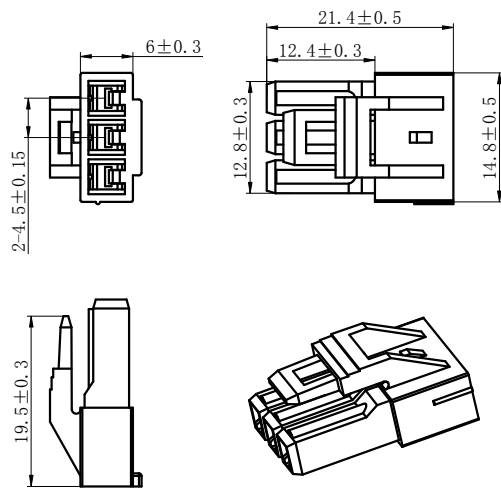
YL-1Y



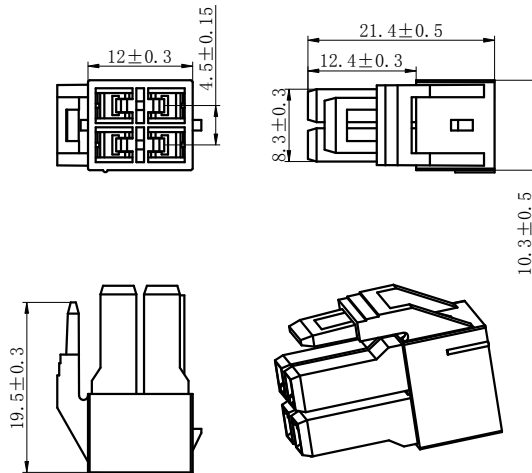
YL-2Y



YL-3Y



YL-4Y



REV.	REVISION DESCRIPTION	DATE	APPD

NORES:

1. Rated voltage: 300V AC/DC
2. Rated current: 10A AC/DC
3. Contact resistance: $\leq 15 \text{ m}\Omega$
4. Insulation resistance: $\geq 1000 \text{ m}\Omega$
5. Withstand voltage: 1500V AC/minute
6. Ambient temperature: $-40^\circ\text{C} \sim 105^\circ\text{C}$
7. Materials: Nylon UL94V-0(2)
8. Matched RoHS criteria

GENERAL TOLERANCES (UNLESS SPECIFIED)

ZHE JIANG DELI CONNECTORS CO., LTD

.X: ± 0.25 X°: $\pm 3.0^\circ$

PRODUCT NAME:

TITLE:

.XX: ± 0.15 .X°: $\pm 2.0^\circ$

DL45002 (YL)-Y

4.5 mm pitch Housing

.XXX: ± 0.01 .XX°: $\pm 1.0^\circ$

DR: Chen Quan Long DATE: 22.10.10

PART NO:

FINISH:

CHKD: Wu Hui DATE: 22.10.10

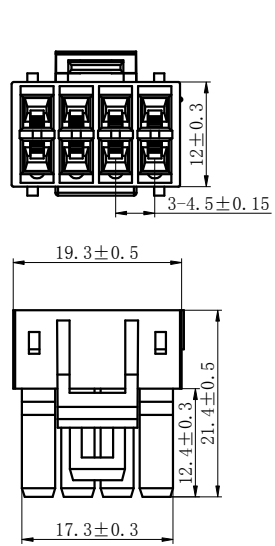
SCALE: N/A PAGE: 1/3

DRAWING NO:

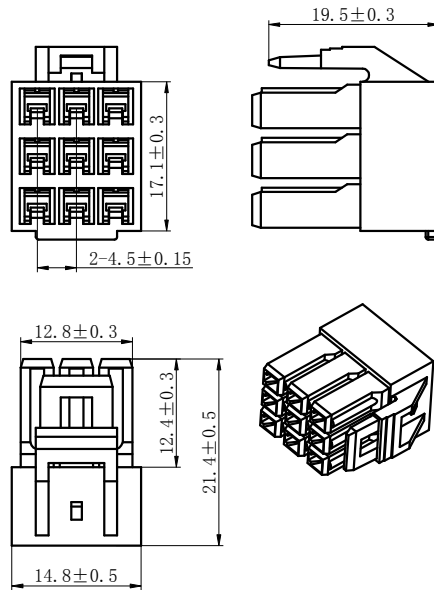
APPD: Ren An De DATE: 22.10.10

UNITS: mm REV.: A

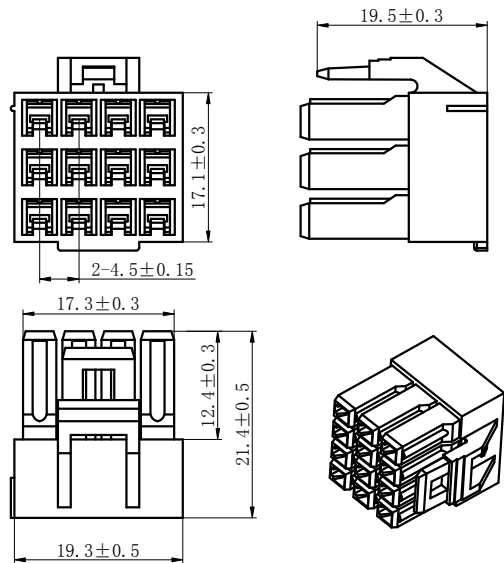
YL-8Y



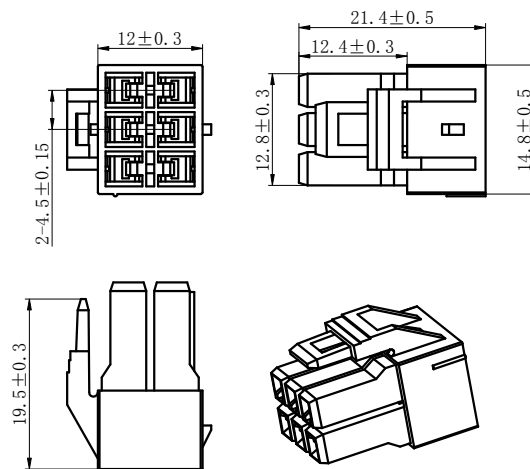
YL-9Y



YL-12Y



YL-6Y



REV.	REVISION DESCRIPTION	DATE	APPD

NORES:

1. Rated voltage: 300V AC/DC
2. Rated current: 10A AC/DC
3. Contact resistance: ≤15 mΩ
4. Insulation resistance: ≥1000 mΩ
5. Withstand voltage: 1500V AC/minute
6. Ambient temperature: -40°C~105°C
7. Materials: Nylon UL94V-0(2)
8. Matched RoHS criteria

GENERAL TOLERANCES
(UNLESS SPECIFIED)

ZHE JIANG DELI CONNECTORS CO., LTD

.X: ± 0.25 X°: ± 3.0°

PRODUCT NAME:

TITLE:

.XX: ± 0.15 .X°: ± 2.0°

DL45002 (YL)-Y

4.5 mm pitch Housing

.XXX: ± 0.01 .XX°: ± 1.0°

DR: Chen Quan Long DATE: 22.10.10

PART NO:

FINISH:

CHKD: Wu Hui DATE: 22.10.10

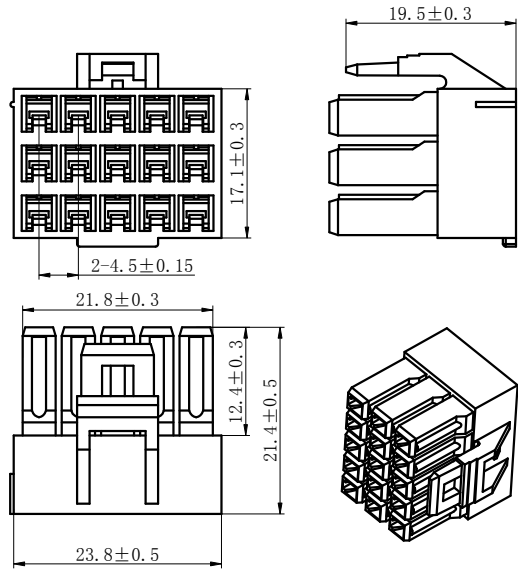
SCALE: N/A PAGE: 2/3

DRAWING NO:

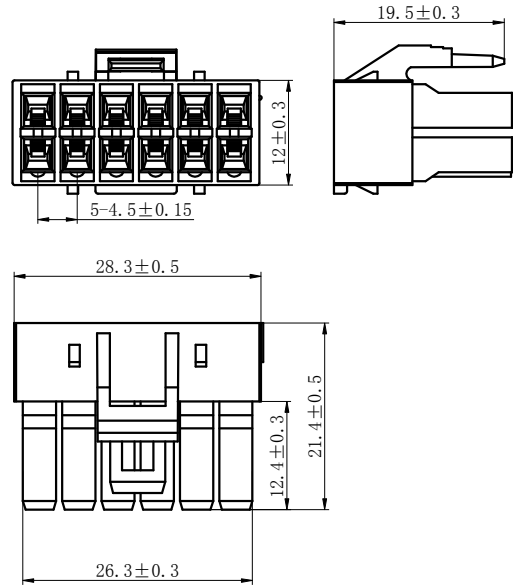
APPD: Ren An De DATE: 22.10.10

UNITS: mm REV.: A

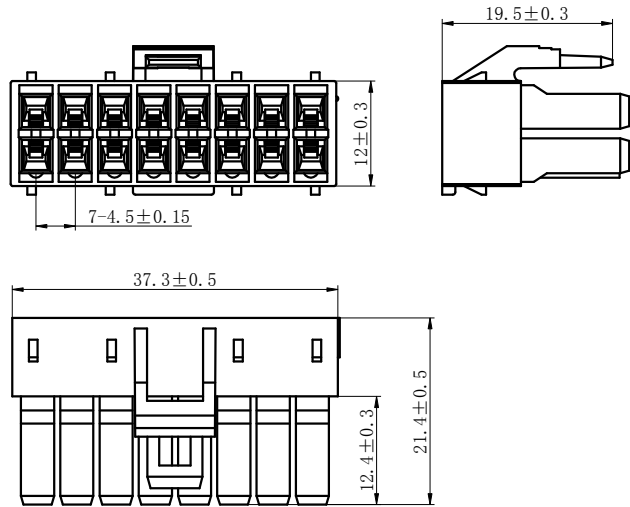
YL-15Y



YL-12YN



YL-16Y



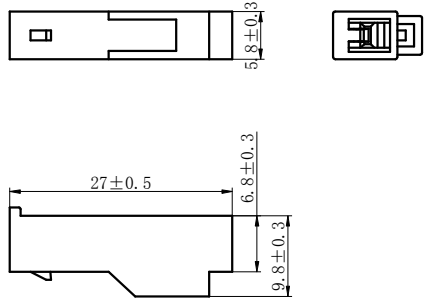
REV.	REVISION DESCRIPTION	DATE	APPD

NORES:

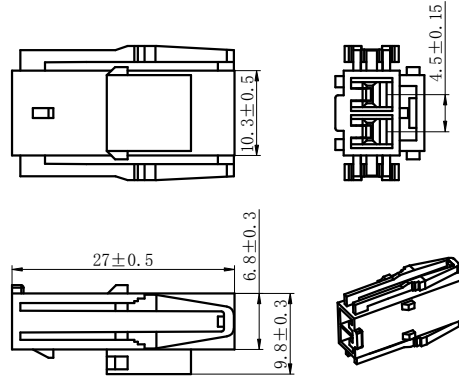
1. Rated voltage: 300V AC/DC
2. Rated current: 10A AC/DC
3. Contact resistance: $\leq 15 \text{ m}\Omega$
4. Insulation resistance: $\geq 1000 \text{ m}\Omega$
5. Withstand voltage: 1500V AC/minute
6. Ambient temperature: $-40^\circ\text{C} \sim 105^\circ\text{C}$
7. Materials: Nylon UL94V-0(2)
8. Matched RoHS criteria

GENERAL TOLERANCES (UNLESS SPECIFIED)		ZHE JIANG DELI CONNECTORS CO., LTD	
.X: ± 0.25	X°: $\pm 3.0^\circ$	PRODUCT NAME:	TITLE:
.XX: ± 0.15	.X°: $\pm 2.0^\circ$	DL45002(YL)-Y	4.5 mm pitch Housing
.XXX: ± 0.01	.XX°: $\pm 1.0^\circ$	DR:Chen Quan Long	DATE:22.10.10
FINISH:		CHKD: Wu Hui	DATE:22.10.10
DRAWING NO:		APPD:Ren An De	DATE:22.10.10
		SCALE: N/A	PAGE: 3/3
		UNITS: mm	REV.: A

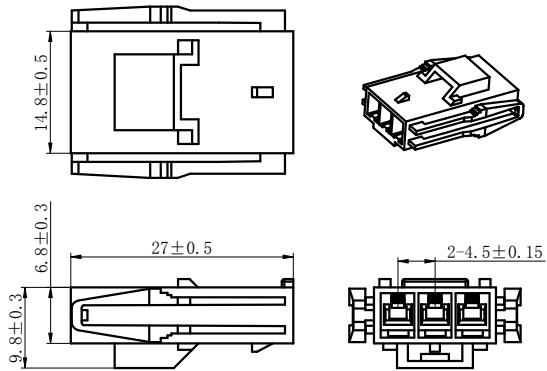
YL-1R



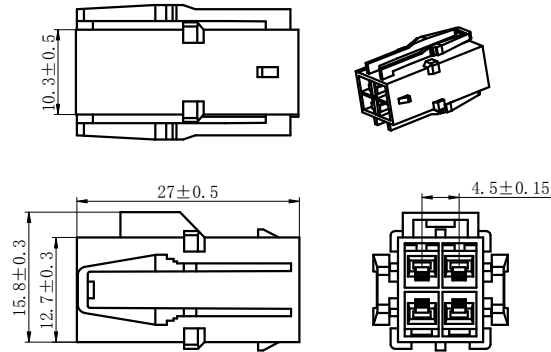
YL-2R



YL-3R



YL-4R



REV.	REVISION DESCRIPTION	DATE	APPD

NORES:

1. Rated voltage: 300V AC/DC
2. Rated current: 10A AC DC
3. Contact resistance: $\leq 15 \text{ m}\Omega$
4. Insulation resistance: $\geq 1000 \text{ m}\Omega$
5. Withstand voltage: 1500V AC/minute
6. Ambient temperature: $-40^{\circ}\text{C} \sim 105^{\circ}\text{C}$
7. Materials: Nylon UL94V-0(2)
8. Matched RoHS criteria

GENERAL TOLERANCES
(UNLESS SPECIFIED)

.X: ± 0.25	X°: $\pm 3.0^{\circ}$
.XX: ± 0.15	.X°: $\pm 2.0^{\circ}$
.XXX: ± 0.01	.XX°: $\pm 1.0^{\circ}$

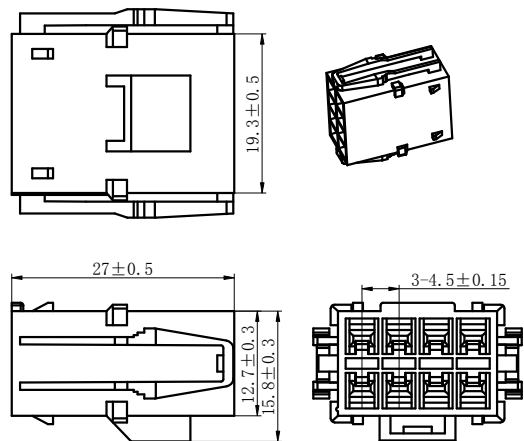
FINISH:

DRAWING NO:

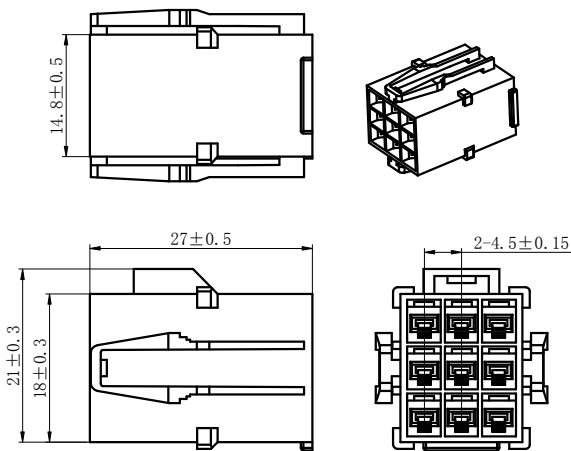
ZHE JIANG DELI CONNECTORS CO., LTD

PRODUCT NAME: DL45002(YL)-R	TITLE: 4.5 mm pitch Housing
DR: Chen Quan Long DATE: 22.10.10	PART NO:
CHKD: Wu Hui DATE: 22.10.10	SCALE: N/A
APPD: Ren An De DATE: 22.10.10	PAGE: 1/3
UNITS: mm	REV.: A

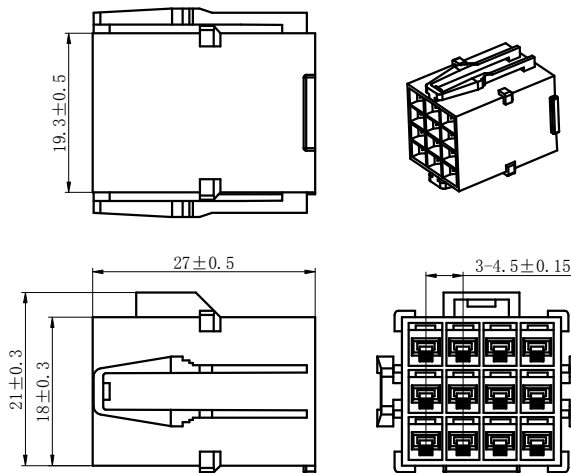
YL-8R



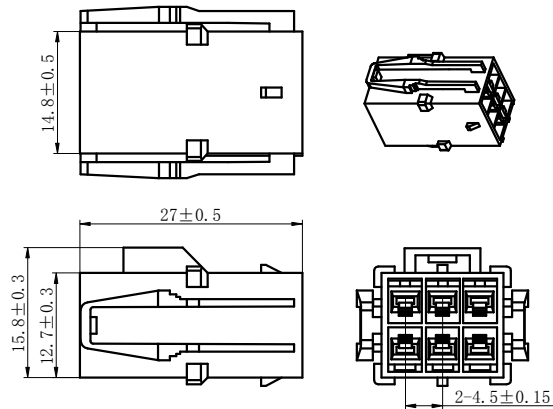
YL-9R



YL-12R



YL-6R



REV.	REVISION DESCRIPTION	DATE	APPD

NORES:

1. Rated voltage: 300V AC/DC
2. Rated current: 10A AC DC
3. Contact resistance: $\leq 15 \text{ m}\Omega$
4. Insulation resistance: $\geq 1000 \text{ m}\Omega$
5. Withstand voltage: 1500V AC/minute
6. Ambient temperature: $-40^{\circ}\text{C} \sim 105^{\circ}\text{C}$
7. Materials: Nylon UL94V-0(2)
8. Matched RoHS criteria

GENERAL TOLERANCES (UNLESS SPECIFIED)

.X: ± 0.25	X°: $\pm 3.0^{\circ}$
.XX: ± 0.15	.X°: $\pm 2.0^{\circ}$
.XXX: ± 0.01	.XX°: $\pm 1.0^{\circ}$

ZHE JIANG DELI CONNECTORS CO., LTD

PRODUCT NAME: DL45002 (YL)-R	TITLE: 4.5 mm pitch Housing
DR:Chen Quan Long	DATE:22.10.10
CHKD: Wu Hui	DATE:22.10.10
APPD:Ren An De	DATE:22.10.10
SCALE: N/A	PAGE: 2/3
UNITS: mm	REV.: A

DRAWING NO:

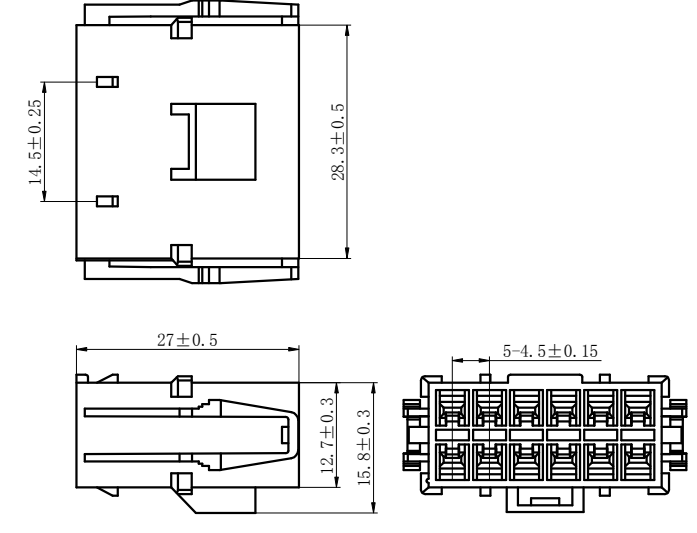
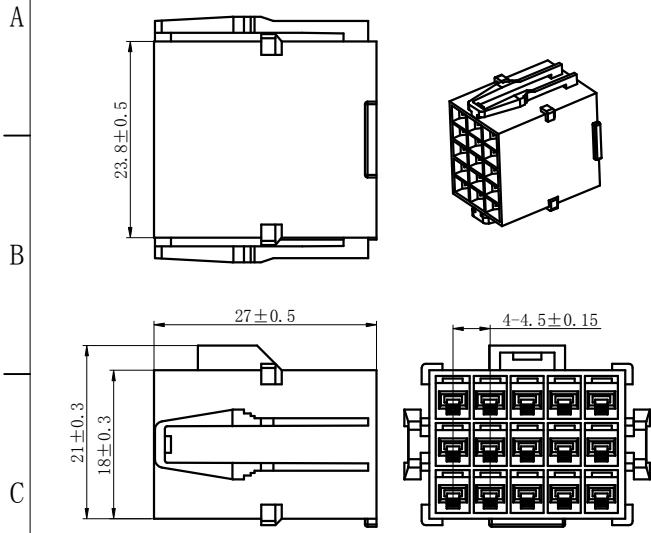
YL-15R

YL-12RN

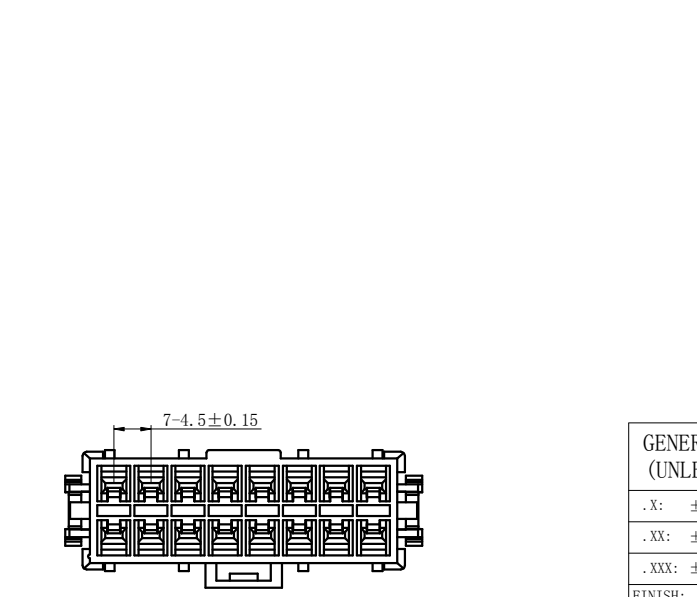
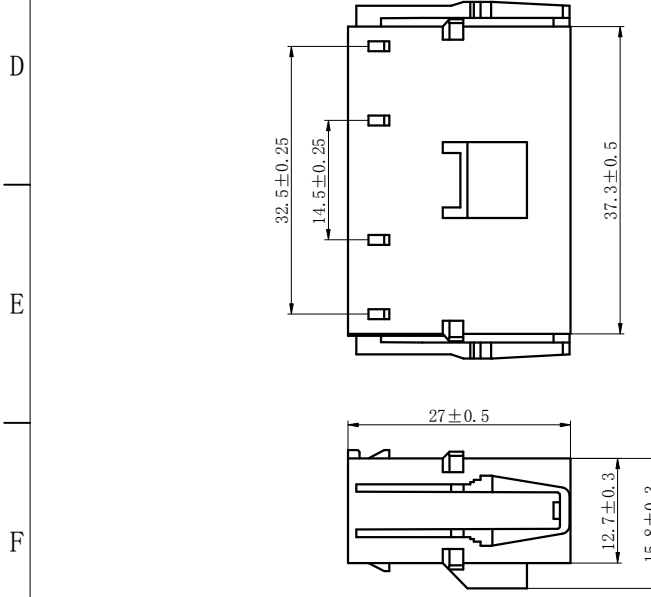
REV.	REVISION DESCRIPTION	DATE	APPD

NORES:

1. Rated voltage: 300V AC/DC
2. Rated current: 10A AC/DC
3. Contact resistance: $\leq 15 \text{ m}\Omega$
4. Insulation resistance: $\geq 1000 \text{ m}\Omega$
5. Withstand voltage: 1500V AC/minute
6. Ambient temperature: $-40^{\circ}\text{C} \sim 105^{\circ}\text{C}$
7. Materials: Nylon UL94V-0(2)
8. Matched RoHS criteria

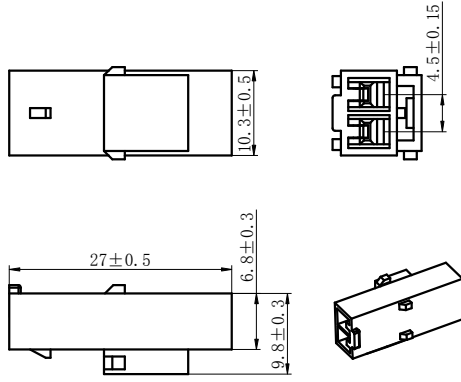


YL-16R

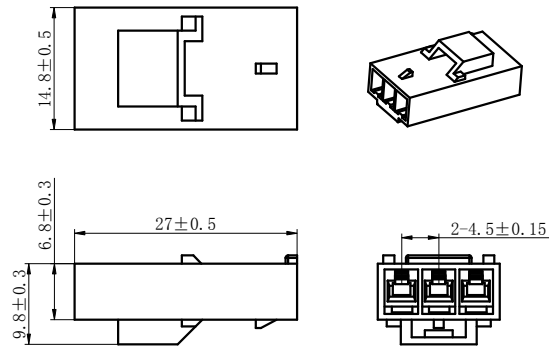


GENERAL TOLERANCES (UNLESS SPECIFIED)		ZHE JIANG DELI CONNECTORS CO., LTD	
.X: ± 0.25	X°: ± 3.0°	PRODUCT NAME:	TITLE:
.XX: ± 0.15	.X°: ± 2.0°	DL45002(YL)-R	4.5 mm pitch Housing
.XXX: ± 0.01	.XX°: ± 1.0°	DR:Chen Quan Long	DATE:22.10.10
FINISH:		CHKD: Wu Hui	DATE:22.10.10
DRAWING NO:		APPD:Ren An De	DATE:22.10.10
			SCALE: N/A
			PAGE: 3/3
			UNITS: mm
			REV.: A

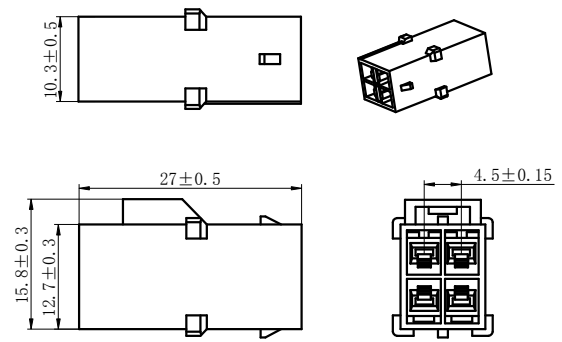
YL-2RF



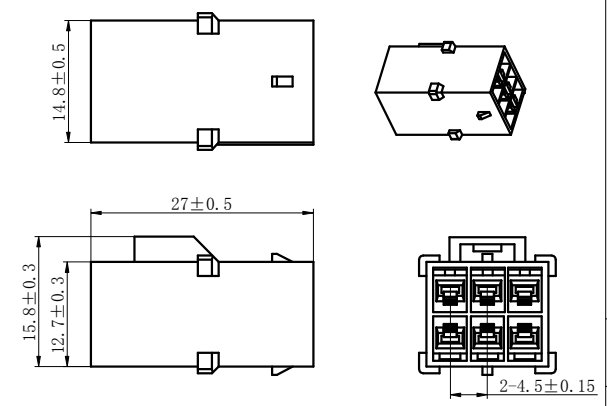
YL-3RF



YL-4RF



YL-6RF



REV.	REVISION DESCRIPTION	DATE	APPD

NORES:

1. Rated voltage: 300V AC/DC
2. Rated current: 10A AC DC
3. Contact resistance: $\leq 15 \text{ m}\Omega$
4. Insulation resistance: $\geq 1000 \text{ m}\Omega$
5. Withstand voltage: 1500V AC/minute
6. Ambient temperature: $-40^\circ\text{C} \sim 105^\circ\text{C}$
7. Materials: Nylon UL94V-0(2)
8. Matched RoHS criteria

GENERAL TOLERANCES (UNLESS SPECIFIED)

.X: ± 0.25	X°: $\pm 3.0^\circ$
.XX: ± 0.15	.X°: $\pm 2.0^\circ$
.XXX: ± 0.01	.XX°: $\pm 1.0^\circ$

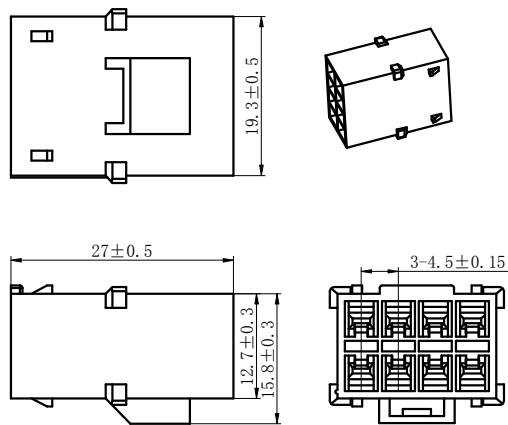
FINISH:

DRAWING NO:

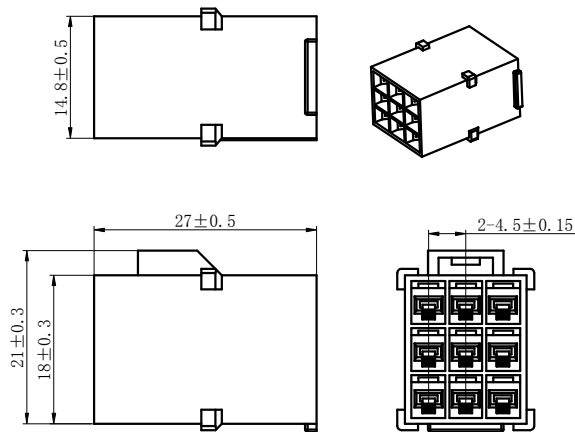
ZHE JIANG DELI CONNECTORS CO., LTD

PRODUCT NAME: DL45002 (YL)-RF	TITLE: 4.5 mm pitch Housing
DR:Chen Quan Long DATE:22.10.10	PART NO:
CHKD: Wu Hui DATE:22.10.10	SCALE: N/A PAGE: 1/3
APPD:Ren An De DATE:22.10.10	UNITS: mm REV.: A

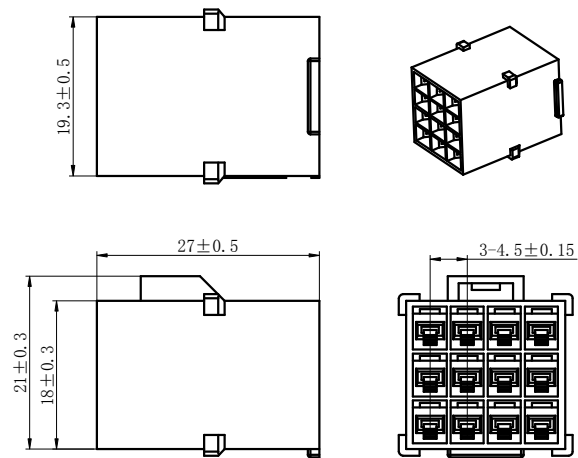
YL-8RF



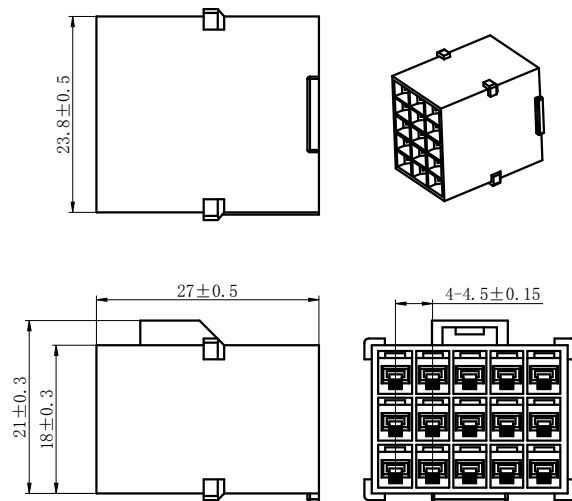
YL-9RF



YL-12RF



YL-15RF



REV.	REVISION DESCRIPTION	DATE	APPD

NORES:

1. Rated voltage: 300V AC/DC
2. Rated current: 10A AC/DC
3. Contact resistance: $\leq 15 \text{ m}\Omega$
4. Insulation resistance: $\geq 1000 \text{ m}\Omega$
5. Withstand voltage: 1500V AC/minute
6. Ambient temperature: $-40^\circ\text{C} \sim 105^\circ\text{C}$
7. Materials: Nylon UL94V-0(2)
8. Matched RoHS criteria

GENERAL TOLERANCES
(UNLESS SPECIFIED)

.X: ± 0.25	X°: ± 3.0°
.XX: ± 0.15	.X°: ± 2.0°
.XXX: ± 0.01	.XX°: ± 1.0°

FINISH:

DRAWING NO:

ZHE JIANG DELI CONNECTORS CO., LTD

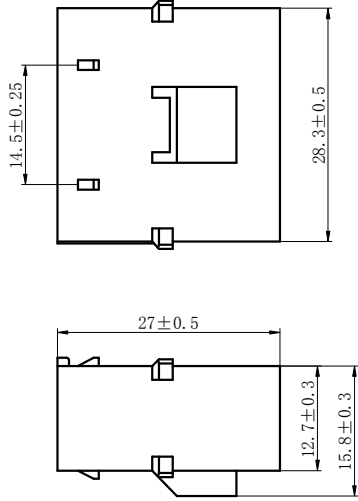
PRODUCT NAME: DL45002 (YL)-RF
TITLE: 4.5 mm pitch Housing

DR: Chen Quan Long DATE: 22.10.10 PART NO:

CHKD: Wu Hui DATE: 22.10.10 SCALE: N/A PAGE: 2/3

APPD: Ren An De DATE: 22.10.10 UNITS: mm REV.: A

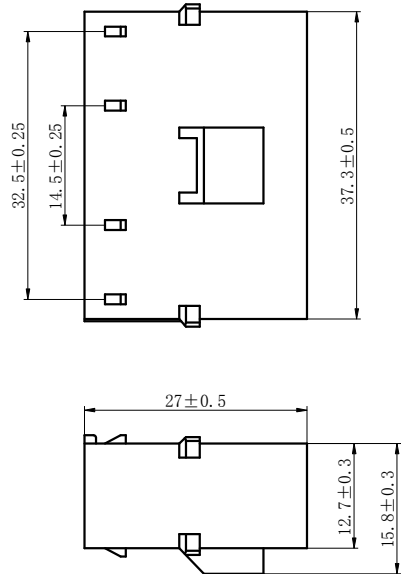
YL-12RFN



NORES:

1. Rated voltage: 300V AC/DC
2. Rated current: 10A AC/DC
3. Contact resistance: $\leq 15 \text{ m}\Omega$
4. Insulation resistance: $\geq 1000 \text{ m}\Omega$
5. Withstand voltage: 1500V AC/minute
6. Ambient temperature: $-40^\circ\text{C} \sim 105^\circ\text{C}$
7. Materials: Nylon UL94V-0(2)
8. Matched RoHS criteria

YL-16RF

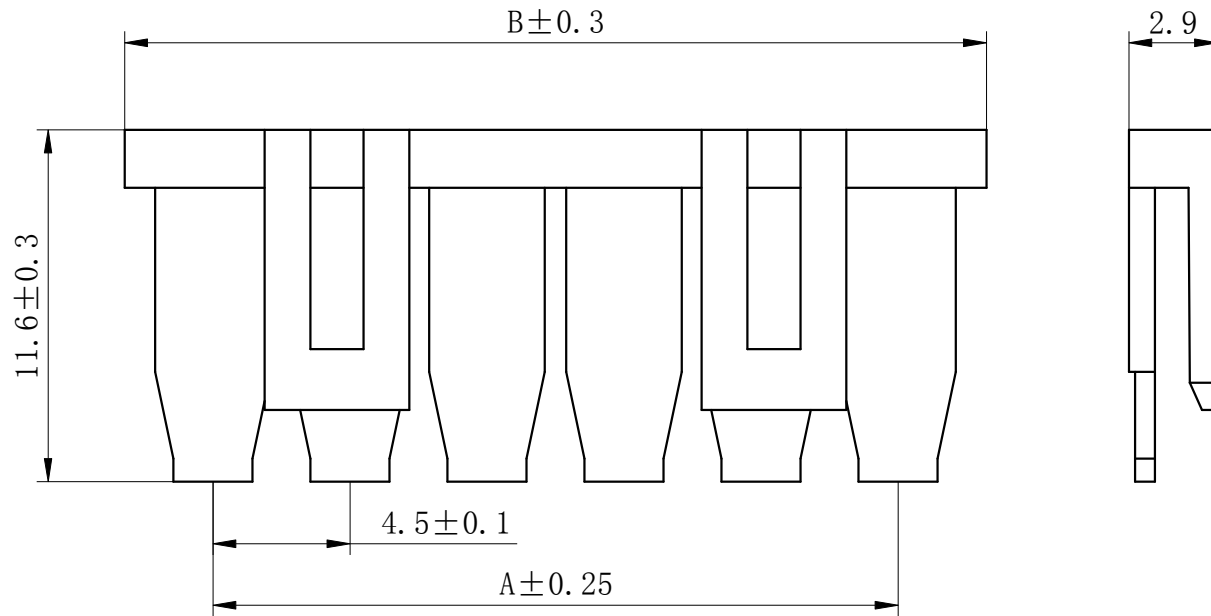


GENERAL TOLERANCES (UNLESS SPECIFIED)		ZHE JIANG DELI CONNECTORS CO., LTD	
.X: ± 0.25	X°: $\pm 3.0^\circ$	PRODUCT NAME: DL45002(YL)-RF	TITLE: 4.5 mm pitch Housing
.XX: ± 0.15	.X°: $\pm 2.0^\circ$	DR: Chen Quan Long	DATE: 22.10.10
.XXX: ± 0.01	.XX°: $\pm 1.0^\circ$	CHKD: Wu Hui	DATE: 22.10.10
FINISH:		APPD: Ren An De	DATE: 22.10.10
DRAWING NO:		UNITS: mm	REV.: A

REV.	REVISION DESCRIPTION	DATE	APPD

REV.	REVISION DESCRIPTION	DATE	APPD

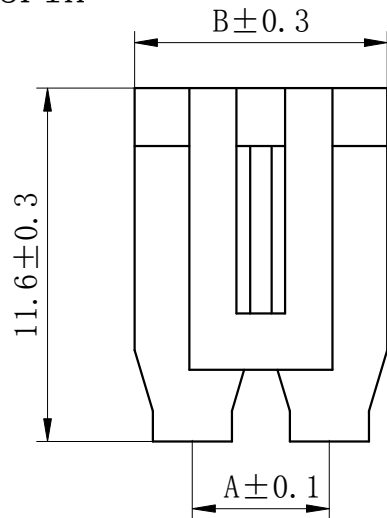
4-8Pin



NOTES

Available in 02.03.04.06.08 Circuits.
 Mates with DL45002 Series Housing.
 Material : Nylon UL94V-0(2).
 Green Material RoHS Compliant.

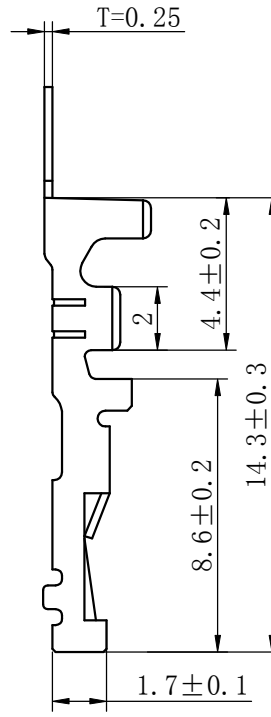
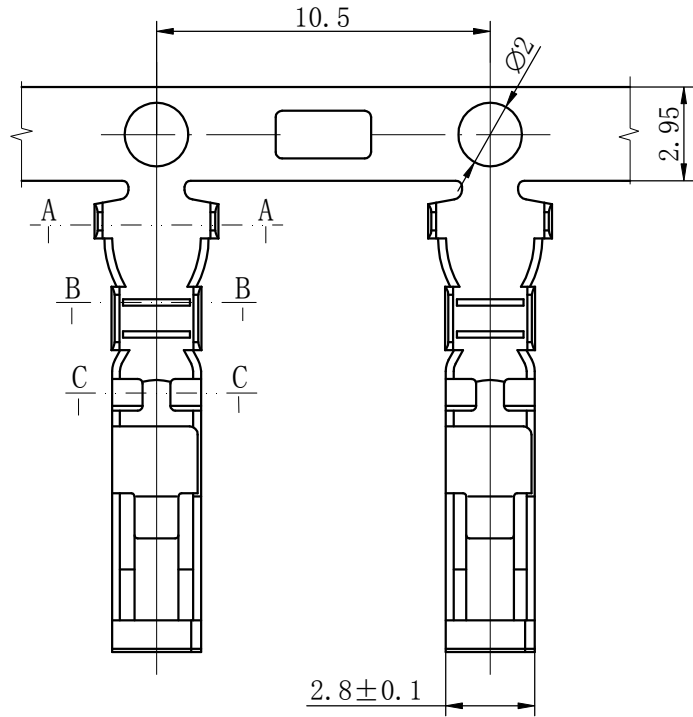
2-3Pin



Circuits	Product name	Dimension mm	
		A	B
2	YL-2S	4.5	8.30
3	YL-3S	9.0	12.80
4	YL-4S	13.5	19.30
6	YL-6S	22.5	28.30
8	YL-8S	31.5	37.30

GENERAL TOLERANCES (UNLESS SPECIFIED)		ZHE JIANG DELI CONNECTORS CO., LTD	
.X: ± 0.25	X° : ± 3.0°	PRODUCT NAME: DL45002 (YL)-S	TITLE: 4.5 mm Pitch Wire To Wire Housing
.XX: ± 0.15	.X° : ± 2.0°	DR:Chen Quan Long	DATE:22/05/26
.XXX: ± 0.01	.XX° : ± 1.0°	CHKD: Wu Hui	DATE:22/05/26
FINISH:		APPD:Liu Bing	DATE:22/05/26
DRAWING NO:		SCALE: N/A	PAGE: 1/1
		UNITS: mm	REV.: A

REV.	REVISION DESCRIPTION	DATE	APPD



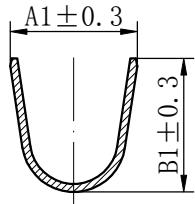
NOTES

Used in DL45002-Y Series Housing.
Accepts AWG #28~16 Wire Range.

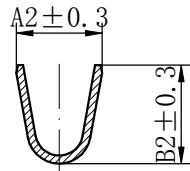
Material : Phosphor Bronze .

Finish: Tin plated.

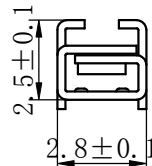
Thickness: 0.25 mm.



SECTION A-A



SECTION B-B

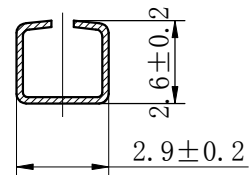
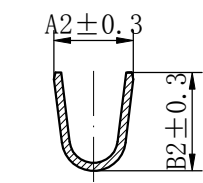
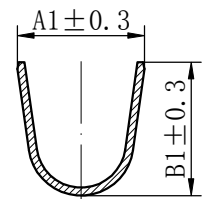
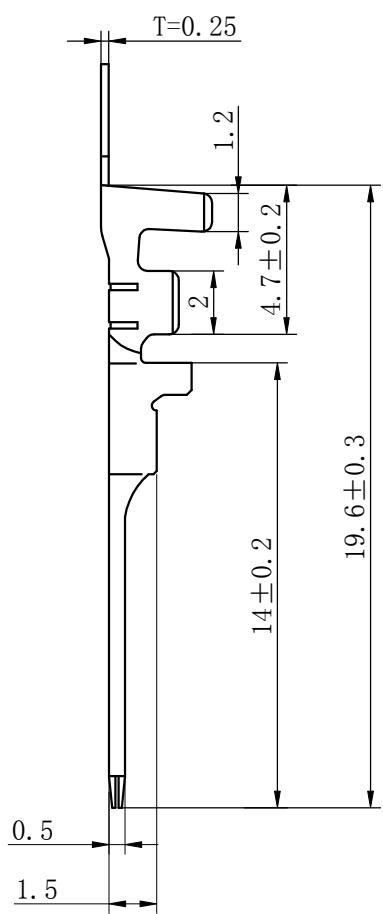
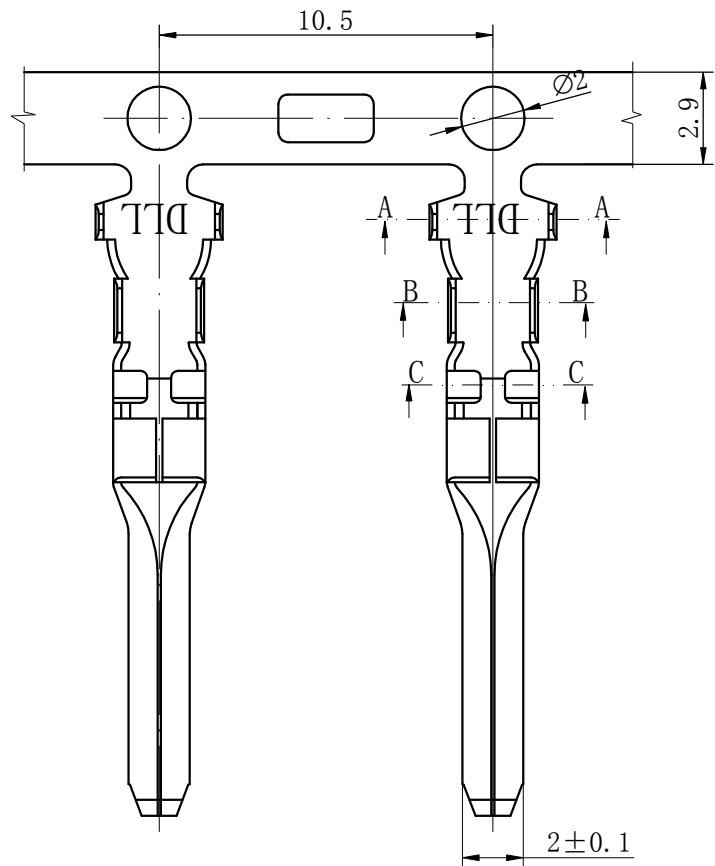


SECTION C-C

TYPE	Dimension mm				适用线规
	A1	B1	A2	B2	AWG
YL-T-G	4.2	4.1	2.7	3.1	#20-16
YL-T	3.5	3.5	2.2	2.2	#28-20

GENERAL TOLERANCES (UNLESS SPECIFIED)		ZHE JIANG DELI CONNECTORS CO.,LTD			
.X: ± 0.25	X° : ± 3.0°	PRODUCT NAME: DL45002 (YL)-T		TITLE: 4.50 mm Pitch Crimp Terminal	
.XX: ± 0.15	.X° : ± 2.0°	DR:Chen Quan Long	DATE:21/08/01	PART NO:	
.XXX: ± 0.01	.XX° : ± 1.0°	CHKD: Wu Hui	DATE:21/08/01	SCALE: N/A	PAGE: 1/1
FINISH:		APPD:Ren An De	DATE:21/08/01	UNITS: mm	REV.: A
DRAWING NO:					

REV.	REVISION DESCRIPTION	DATE	APPD



NOTES

Used in DL45002-Y Series Housing.
 Accepts AWG #28~16 Wire Range.
 Material : Phosphor Bronze .
 Finish: Tin plated.
 Thickness: 0.25 mm.

TYPE	Dimension mm				适用线规 AWG
	A1	B1	A2	B2	
YL-RT-G	4.0	4.1	2.3	3.1	#20-16
YL-RT	3.5	3.5	2.2	2.2	#28-20

GENERAL TOLERANCES (UNLESS SPECIFIED)		ZHE JIANG DELI CONNECTORS CO., LTD		
.X: ± 0.25	X°: ± 3.0°	PRODUCT NAME: DL45002 (YL)-RT		TITLE: 4.50 mm Pitch Crimp Terminal
.XX: ± 0.15	.X°: ± 2.0°	DR: Chen Quan Long	DATE: 21/08/01	PART NO:
.XXX: ± 0.01	.XX°: ± 1.0°	CHKD: Wu Hui	DATE: 21/08/01	SCALE: N/A
FINISH:		APPD: Ren An De	DATE: 21/08/01	PAGE: 1/1
DRAWING NO:				UNITS: mm
				REV.: A

X-ON Electronics

Largest Supplier of Electrical and Electronic Components

Click to view similar products for [RF Connector Accessories](#) category:

Click to view products by [DLL manufacturer](#):

Other Similar products are found below :

[89674-0712](#) [FERRULE-174](#) [R141802000](#) [R141842000](#) [R141862000W](#) [R280907000](#) [RFI75-3](#) [AX102907](#) [HP-500](#) [2098-3251-94](#) [KA-81-02](#)
[KA-81-05](#) [KN-89-12](#) [89674-0805](#) [FERRULE-223](#) [202102-11](#) [R280468000](#) [R280510000](#) [RFI155-1](#) [RFI25-12-D3](#) [RFI25-4-D2](#) [RFI25-5](#)
[RFI75-12-D2](#) [RFI97-14](#) [360HS001M2508M6](#) [4-1532137-4](#) [HRM-514S\(40\)](#) [5-21085-0](#) [111062-0490](#) [112122-SOD-LUG](#) [IPP-2014](#) [RFI95-](#)
[14-D2](#) [MX-913/U\(45\)](#) [1736-1511-075](#) [000-78400](#) [RFI75-2-D3](#) [RFI25-3-D3](#) [R280469010](#) [RFI85-4](#) [896110450](#) [660-024M09S5-01](#) [1403137-](#)
[1](#) [360HB001M2512H](#) [360HS001M1716M3](#) [380HS115M2508H3](#) [380HS001M1716M4](#) [FERRULE-316DB](#) [105274-2000](#) [73415-1970](#)
[R280755050W](#)