

技术特性/Specifications:

额定电压 Rated voltage: 50V AC, DC
 额定电流 Rated current: 1A AC, DC
 接触电阻 Contact resistance: 20mΩ max
 绝缘电阻 Insulation resistance: 500MΩ min
 耐压 Withstand voltage: 500V AC/minute
 环境温度 Ambient temperature: -35°C~+105°C
 适用线规 Wire range: AWG#32~#26

标准/Standard:

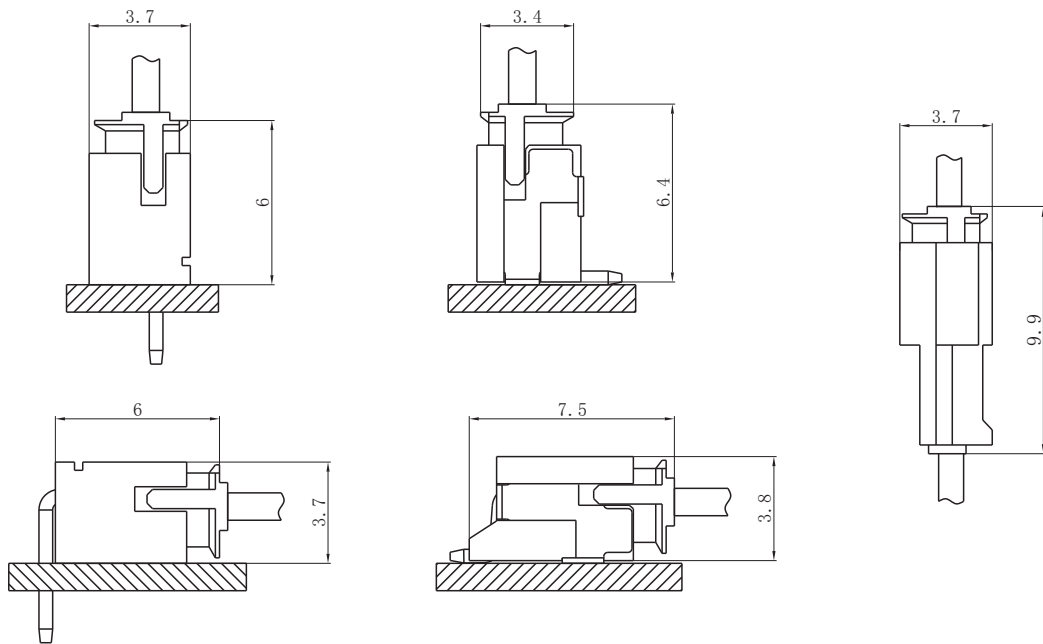


详细参数请咨询:

- E-mail: manager@zjdll.com
- E-mail: technical-support@zjdll.com
- WeChat: 13867778918

PC电路板布局和组件布局 PC board layout and Assembly layout

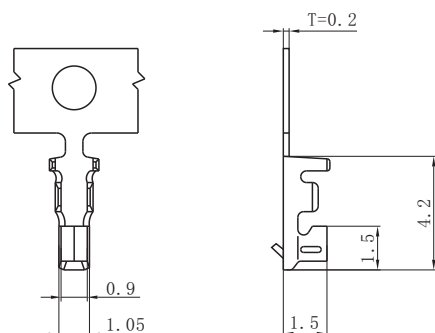
□ Assembly layout (装配布局)



上图为连接器安装侧观察图

Notes: The above figure is the figure viewed from the connector mounting side.

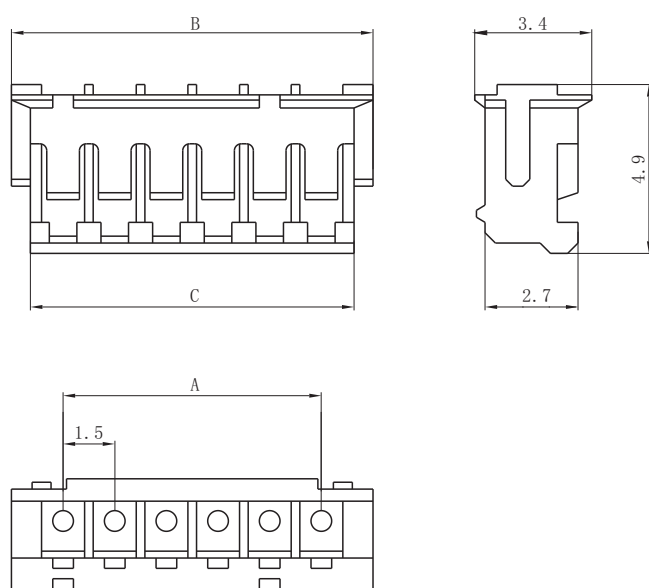
□ DL15001-T (ZH-T)



| Model No. (型号) | Applicable wire (适用线规) | | | Material (材料) | Plating (电镀) | Qty/reel (数量/盘) |
|----------------------|------------------------|-------|--------------------------|-----------------------|-----------------|-----------------|
| | mm ² | AWG# | Insulation O.D. (绝缘外径mm) | | | |
| DL15001-T (ZH-T) | 0.032~0.08 | 32~28 | φ 0.6~0.8 | Phosphor bronze (磷青铜) | Tin Plated (镀锡) | 10000 |
| DL15001-T-G (ZH-T-G) | 0.08~0.14 | 28~26 | φ 0.8~1.2 | Phosphor bronze (磷青铜) | Tin Plated (镀锡) | 10000 |
| DL15001-RT (ZH-RT) | 0.032~0.14 | 32~26 | φ 0.6~1.2 | Phosphor bronze (磷青铜) | Tin Plated (镀锡) | 16000 |

符合RoHS标准
RoHS compliance

□ DL15001-Y (ZH-Y)



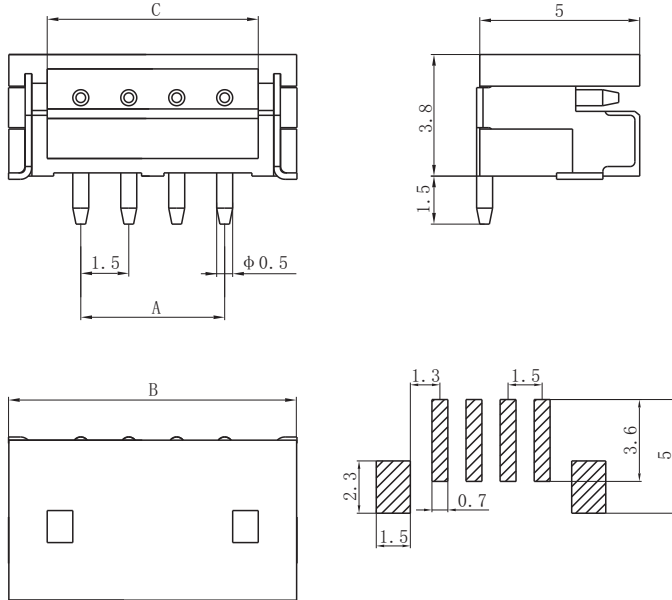
| Circuits (电路) | Product name (产品名称) | Dimensions (尺寸mm) | | |
|---------------|---------------------|-------------------|-------|-------|
| | | A | B | C |
| 2 | ZH-2Y | 1.50 | 4.50 | 3.40 |
| 3 | ZH-3Y | 3.00 | 6.00 | 4.90 |
| 4 | ZH-4Y | 4.50 | 7.50 | 6.40 |
| 5 | ZH-5Y | 6.00 | 9.00 | 7.90 |
| 6 | ZH-6Y | 7.50 | 10.50 | 9.40 |
| 7 | ZH-7Y | 9.00 | 12.00 | 10.90 |
| 8 | ZH-8Y | 10.50 | 13.50 | 12.40 |
| 9 | ZH-9Y | 12.00 | 15.00 | 13.90 |
| 10 | ZH-10Y | 13.50 | 16.50 | 15.40 |
| 11 | ZH-11Y | 15.00 | 18.00 | 16.90 |
| 12 | ZH-12Y | 16.50 | 19.50 | 18.40 |
| 13 | ZH-13Y | 18.00 | 21.00 | 19.90 |
| 14 | ZH-14Y | 19.50 | 22.50 | 21.40 |
| 15 | ZH-15Y | 21.00 | 24.00 | 22.90 |
| 16 | ZH-16Y | 22.50 | 25.50 | 24.40 |
| 17 | ZH-17Y | 24.00 | 27.00 | 25.90 |
| 18 | ZH-18Y | 25.50 | 28.50 | 27.40 |
| 19 | ZH-19Y | 27.00 | 30.00 | 28.90 |
| 20 | ZH-20Y | 28.50 | 31.50 | 30.40 |

Material (材料)

Housing (胶壳): Nylon (尼龙) UL94V-0 (2)

符合RoHS标准
RoHS compliance

□ DL15001-AB (ZH-AB)



| Circuits (电路) | Product name (产品名称) | Dimensions (尺寸mm) | | |
|------------------|------------------------|-------------------|-------|-------|
| | | A | B | C |
| 2 | ZH-2AB | 1.50 | 6.00 | 3.60 |
| 3 | ZH-3AB | 3.00 | 7.50 | 5.10 |
| 4 | ZH-4AB | 4.50 | 9.00 | 6.60 |
| 5 | ZH-5AB | 6.00 | 10.50 | 8.10 |
| 6 | ZH-6AB | 7.50 | 12.00 | 9.60 |
| 7 | ZH-7AB | 9.00 | 13.50 | 11.10 |
| 8 | ZH-8AB | 10.50 | 15.00 | 12.60 |
| 9 | ZH-9AB | 12.00 | 16.50 | 14.10 |
| 10 | ZH-10AB | 13.50 | 18.00 | 15.60 |
| 11 | ZH-11AB | 15.00 | 19.50 | 17.10 |
| 12 | ZH-12AB | 16.50 | 21.00 | 18.60 |
| 13 | ZH-13AB | 18.00 | 22.50 | 20.10 |
| 14 | ZH-14AB | 19.50 | 24.00 | 21.60 |
| 15 | ZH-15AB | 21.00 | 25.50 | 23.10 |
| 16 | ZH-16AB | 22.50 | 27.00 | 24.60 |
| 17 | ZH-17AB | 24.00 | 28.50 | 26.10 |
| 18 | ZH-18AB | 25.50 | 30.00 | 27.60 |
| 19 | ZH-19AB | 27.00 | 31.50 | 29.10 |
| 20 | ZH-20AB | 28.50 | 33.00 | 30.60 |

Material (材料)

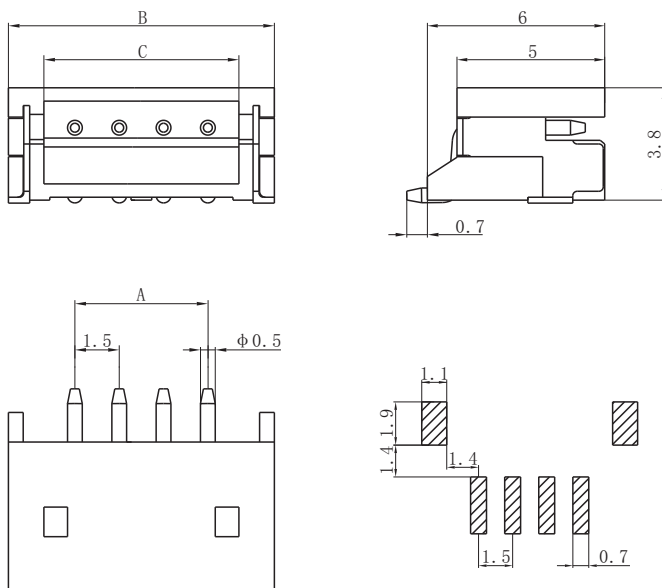
Housing (胶壳): LCP U194V-0

Wafer (接触件): Brass (黄铜) / Tin plated (镀锡)

Solder tabs (焊片): Brass (黄铜) / Tin plated (镀锡)

符合RoHS标准
RoHS compliance

□ DL15001-AWB (ZH-AWB)



| Circuits (电路) | Product name (产品名称) | Dimensions (尺寸mm) | | |
|------------------|------------------------|-------------------|-------|-------|
| | | A | B | C |
| 2 | ZH-2AWB | 1.50 | 6.00 | 3.60 |
| 3 | ZH-3AWB | 3.00 | 7.50 | 5.10 |
| 4 | ZH-4AWB | 4.50 | 9.00 | 6.60 |
| 5 | ZH-5AWB | 6.00 | 10.50 | 8.10 |
| 6 | ZH-6AWB | 7.50 | 12.00 | 9.60 |
| 7 | ZH-7AWB | 9.00 | 13.50 | 11.10 |
| 8 | ZH-8AWB | 10.50 | 15.00 | 12.60 |
| 9 | ZH-9AWB | 12.00 | 16.50 | 14.10 |
| 10 | ZH-10AWB | 13.50 | 18.00 | 15.60 |
| 11 | ZH-11AWB | 15.00 | 19.50 | 17.10 |
| 12 | ZH-12AWB | 16.50 | 21.00 | 18.60 |
| 13 | ZH-13AWB | 18.00 | 22.50 | 20.10 |
| 14 | ZH-14AWB | 19.50 | 24.00 | 21.60 |
| 15 | ZH-15AWB | 21.00 | 25.50 | 23.10 |
| 16 | ZH-16AWB | 22.50 | 27.00 | 24.60 |
| 17 | ZH-17AWB | 24.00 | 28.50 | 26.10 |
| 18 | ZH-18AWB | 25.50 | 30.00 | 27.60 |
| 19 | ZH-19AWB | 27.00 | 31.50 | 29.10 |
| 20 | ZH-20AWB | 28.50 | 33.00 | 30.60 |

Material (材料)

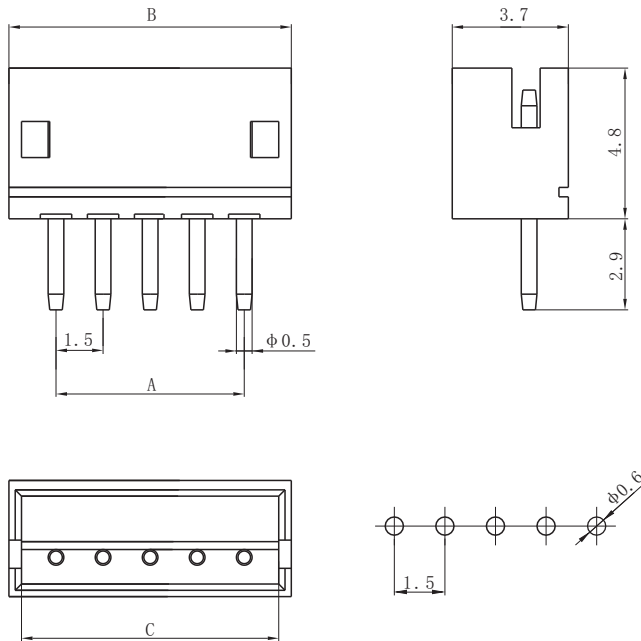
Housing (胶壳): LCP U194V-0

Wafer (接触件): Brass (黄铜) / Tin plated (镀锡)

Solder tabs (焊片): Brass (黄铜) / Tin plated (镀锡)

符合RoHS标准
RoHS compliance

□ DL15001-A (ZH-A)



| Circuits (电路) | Product name (产品名称) | Dimensions (尺寸mm) | | |
|------------------|------------------------|-------------------|-------|-------|
| | | A | B | C |
| 2 | ZH-2A | 1.50 | 4.50 | 3.70 |
| 3 | ZH-3A | 3.00 | 6.00 | 5.20 |
| 4 | ZH-4A | 4.50 | 7.50 | 6.70 |
| 5 | ZH-5A | 6.00 | 9.00 | 8.20 |
| 6 | ZH-6A | 7.50 | 10.50 | 9.70 |
| 7 | ZH-7A | 9.00 | 12.00 | 11.20 |
| 8 | ZH-8A | 10.50 | 13.50 | 12.70 |
| 9 | ZH-9A | 12.00 | 15.00 | 14.20 |
| 10 | ZH-10A | 13.50 | 16.50 | 15.70 |
| 11 | ZH-11A | 15.00 | 18.00 | 17.20 |
| 12 | ZH-12A | 16.50 | 19.50 | 18.70 |
| 13 | ZH-13A | 18.00 | 21.00 | 20.20 |
| 14 | ZH-14A | 19.50 | 22.50 | 21.70 |
| 15 | ZH-15A | 21.00 | 24.00 | 23.20 |
| 16 | ZH-16A | 22.50 | 25.50 | 24.70 |
| 17 | ZH-17A | 24.00 | 27.00 | 26.20 |
| 18 | ZH-18A | 25.50 | 28.50 | 27.70 |
| 19 | ZH-19A | 27.00 | 30.00 | 29.20 |
| 20 | ZH-20A | 28.50 | 31.50 | 30.70 |

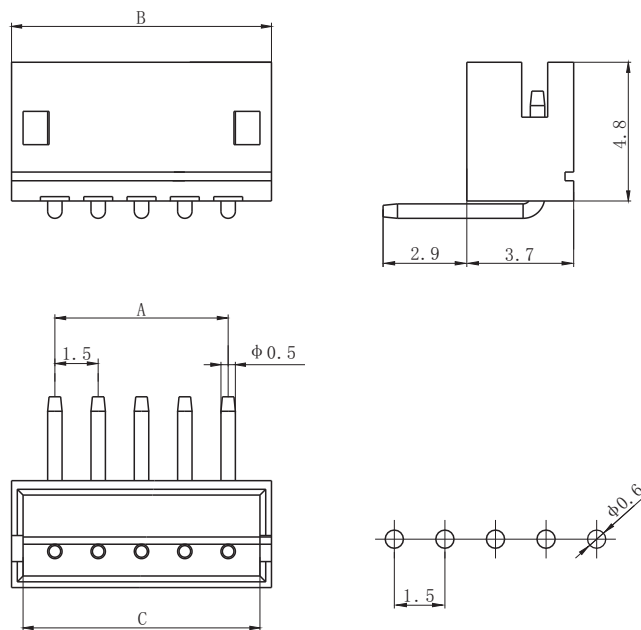
Material (材料)

Housing (胶壳): Nylon (尼龙) UL94V-0 (2)

Wafer (接触件): Brass (黄铜) / Tin plated (镀锡)

符合RoHS标准
RoHS compliance

□ DL15001-AW (ZH-AW)



| Circuits (电路) | Product name (产品名称) | Dimensions (尺寸mm) | | |
|------------------|------------------------|-------------------|-------|-------|
| | | A | B | C |
| 2 | ZH-2AW | 1.50 | 4.50 | 3.70 |
| 3 | ZH-3AW | 3.00 | 6.00 | 5.20 |
| 4 | ZH-4AW | 4.50 | 7.50 | 6.70 |
| 5 | ZH-5AW | 6.00 | 9.00 | 8.20 |
| 6 | ZH-6AW | 7.50 | 10.50 | 9.70 |
| 7 | ZH-7AW | 9.00 | 12.00 | 11.20 |
| 8 | ZH-8AW | 10.50 | 13.50 | 12.70 |
| 9 | ZH-9AW | 12.00 | 15.00 | 14.20 |
| 10 | ZH-10AW | 13.50 | 16.50 | 15.70 |
| 11 | ZH-11AW | 15.00 | 18.00 | 17.20 |
| 12 | ZH-12AW | 16.50 | 19.50 | 18.70 |
| 13 | ZH-13AW | 18.00 | 21.00 | 20.20 |
| 14 | ZH-14AW | 19.50 | 22.50 | 21.70 |
| 15 | ZH-15AW | 21.00 | 24.00 | 23.20 |
| 16 | ZH-16AW | 22.50 | 25.50 | 24.70 |
| 17 | ZH-17AW | 24.00 | 27.00 | 26.20 |
| 18 | ZH-18AW | 25.50 | 28.50 | 27.70 |
| 19 | ZH-19AW | 27.00 | 30.00 | 29.20 |
| 20 | ZH-20AW | 28.50 | 31.50 | 30.70 |

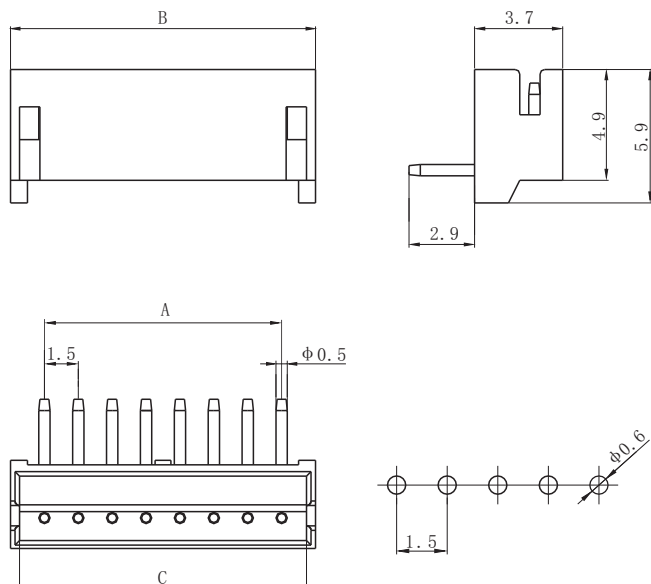
Material (材料)

Housing (胶壳): Nylon (尼龙) UL94V-0 (2)

Wafer (接触件): Brass (黄铜) / Tin plated (镀锡)

符合RoHS标准
RoHS compliance

□ DL15001-AWD (ZH-AWD)



| Circuits (电路) | Product name (产品名称) | Dimensions (尺寸mm) | | |
|------------------|------------------------|-------------------|-------|-------|
| | | A | B | C |
| 2 | ZH-2AWD | 1.50 | 4.50 | 3.70 |
| 3 | ZH-3AWD | 3.00 | 6.00 | 5.20 |
| 4 | ZH-4AWD | 4.50 | 7.50 | 6.70 |
| 5 | ZH-5AWD | 6.00 | 9.00 | 8.20 |
| 6 | ZH-6AWD | 7.50 | 10.50 | 9.70 |
| 7 | ZH-7AWD | 9.00 | 12.00 | 11.20 |
| 8 | ZH-8AWD | 10.50 | 13.50 | 12.70 |
| 9 | ZH-9AWD | 12.00 | 15.00 | 14.20 |
| 10 | ZH-10AWD | 13.50 | 16.50 | 15.70 |
| 11 | ZH-11AWD | 15.00 | 18.00 | 17.20 |
| 12 | ZH-12AWD | 16.50 | 19.50 | 18.70 |
| 13 | ZH-13AWD | 18.00 | 21.00 | 20.20 |
| 14 | ZH-14AWD | 19.50 | 22.50 | 21.70 |
| 15 | ZH-15AWD | 21.00 | 24.00 | 23.20 |
| 16 | ZH-16AWD | 22.50 | 25.50 | 24.70 |
| 17 | ZH-17AWD | 24.00 | 27.00 | 26.20 |
| 18 | ZH-18AWD | 25.50 | 28.50 | 27.70 |
| 19 | ZH-19AWD | 27.00 | 30.00 | 29.20 |
| 20 | ZH-20AWD | 28.50 | 31.50 | 30.70 |

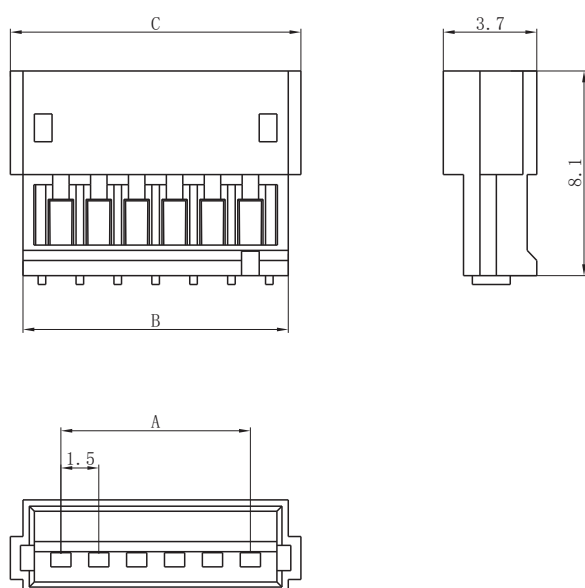
Material (材料)

Housing (胶壳): Nylon (尼龙) UL94V-0 (2)

Wafer (接触件): Brass (黄铜) / Tin plated (镀锡)

符合RoHS标准
RoHS compliance

□ DL15001-R (ZH-R)



| Circuits (电路) | Product name (产品名称) | Dimensions (尺寸mm) | | |
|------------------|------------------------|-------------------|-------|-------|
| | | A | B | C |
| 2 | ZH-2R | 1.50 | 4.50 | 5.50 |
| 3 | ZH-3R | 3.00 | 6.00 | 7.00 |
| 4 | ZH-4R | 4.50 | 7.50 | 8.50 |
| 5 | ZH-5R | 6.00 | 9.00 | 10.00 |
| 6 | ZH-6R | 7.50 | 10.50 | 11.50 |
| 7 | ZH-7R | 9.00 | 12.00 | 13.00 |
| 8 | ZH-8R | 10.50 | 13.50 | 14.50 |
| 9 | ZH-9R | 12.00 | 15.00 | 16.00 |
| 10 | ZH-10R | 13.50 | 16.50 | 17.50 |
| 11 | ZH-11R | 15.00 | 18.00 | 19.00 |
| 12 | ZH-12R | 16.50 | 19.50 | 20.50 |
| 13 | ZH-13R | 18.00 | 21.00 | 22.00 |
| 14 | ZH-14R | 19.50 | 22.50 | 23.50 |
| 15 | ZH-15R | 21.00 | 24.00 | 25.00 |
| 16 | ZH-16R | 22.50 | 25.50 | 26.50 |
| 17 | ZH-17R | 24.00 | 27.00 | 28.00 |
| 18 | ZH-18R | 25.50 | 28.50 | 29.50 |
| 19 | ZH-19R | 27.00 | 30.00 | 31.00 |
| 20 | ZH-20R | 28.50 | 31.50 | 32.50 |

Material (材料)

Housing (胶壳): Nylon (尼龙) UL94V-0 (2)

符合RoHS标准
RoHS compliance

X-ON Electronics

Largest Supplier of Electrical and Electronic Components

Click to view similar products for [Headers & Wire Housings](#) category:

Click to view products by [DLL](#) manufacturer:

Other Similar products are found below :

[0015917161](#) [0022155065](#) [57102-F02-18ULF](#) [58102-G61-06LF](#) [582553-1](#) [01.001.5753.1](#) [0050291907](#) [02.125.8002.8](#) [609-3404](#) [61062-3](#)
[CSU011177004](#) [622-0430](#) [622-3653LF](#) [63453-116](#) [636-1030](#) [636-1427](#) [636-3427](#) [636-4007](#) [641938-9](#) [65495-038](#) [65692-001LF](#) [65781-018](#)
[65781-047](#) [65817-010LF](#) [65817-015LF](#) [67095-007LF](#) [67601157](#) [68631-112](#) [68645-018](#) [699319-000](#) [70.362.1628.0](#) [70-4210](#) [70-4226B](#) [70-](#)
[4853B](#) [71.350.2428.0](#) [733-134](#) [733-162](#) [760-3052](#) [MHR-64-VUAL](#) [80.063.4001.1](#) [800-90-001-10-001000](#) [801-43-002-10-013000](#)
[801-43-006-10-002000](#) [803-43-024-10-001000](#) [803-93-012-10-001000](#) [8-1437020-4](#) [819-22-004-30-001101](#) [820-22-006-30-001101](#)
[820-22-008-30-001101](#) [821-22-002-10-001101](#)