

技术特性/Specifications:

额定电压 Rated voltage: 50V AC, DC
 额定电流 Rated current: 1A AC, DC
 接触电阻 Contact resistance: 20mΩ max
 绝缘电阻 Insulation resistance: 500MΩ min
 耐压 Withstand voltage: 500V AC/minute
 环境温度 Ambient temperature: -35°C~+105°C
 适用线规 Wire range: AWG#32~#26

标准/Standard:

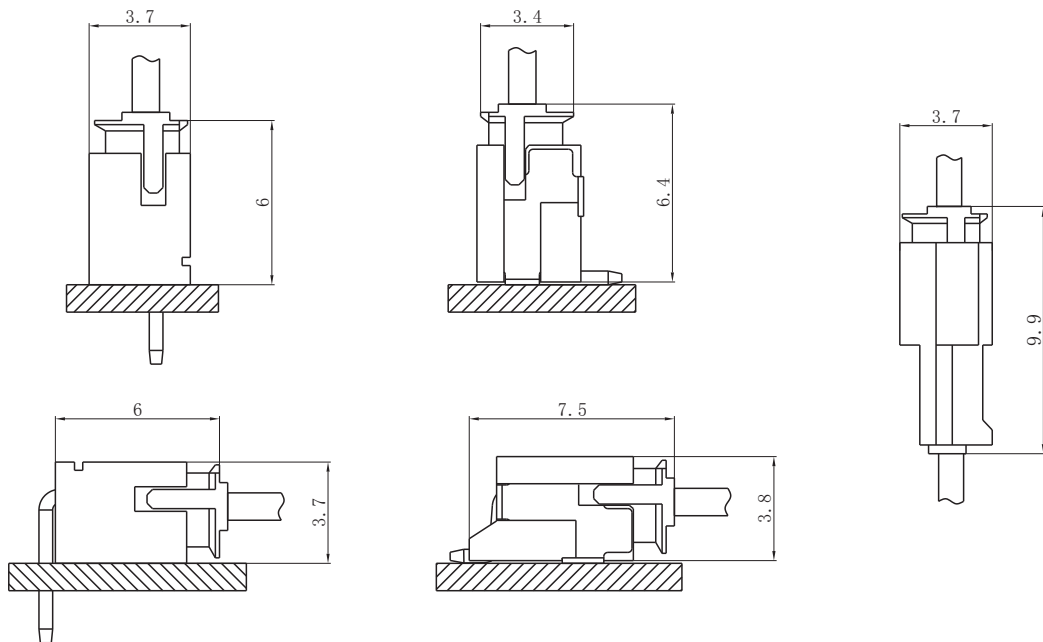


详细参数请咨询:

- E-mail: manager@zjdll.com
- E-mail: technical-support@zjdll.com
- WeChat: 13867778918

PC电路板布局和组件布局 PC board layout and Assembly layout

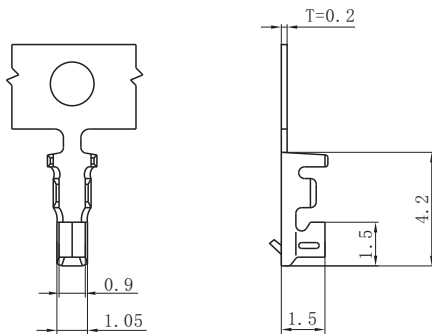
□ Assembly layout (装配布局)



上图为连接器安装侧观察图

Notes: The above figure is the figure viewed from the connector mounting side.

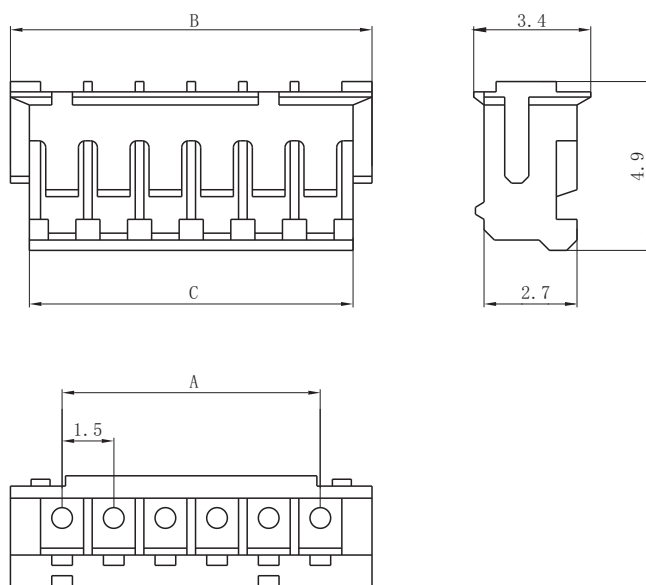
□ DL15001-T (ZH-T)



Model No. (型号)	Applicable wire (适用线规)			Material (材料)	Plating (电镀)	Qty/reel (数量/盘)
	mm ²	AWG#	Insulation O.D. (绝缘外径mm)			
DL15001-T (ZH-T)	0.032~0.08	32~28	φ 0.6~0.8	Phosphor bronze (磷青铜)	Tin Plated (镀锡)	10000
DL15001-T-G (ZH-T-G)	0.08~0.14	28~26	φ 0.8~1.2	Phosphor bronze (磷青铜)	Tin Plated (镀锡)	10000
DL15001-RT (ZH-RT)	0.032~0.14	32~26	φ 0.6~1.2	Phosphor bronze (磷青铜)	Tin Plated (镀锡)	16000

符合RoHS标准
RoHS compliance

□ DL15001-Y (ZH-Y)



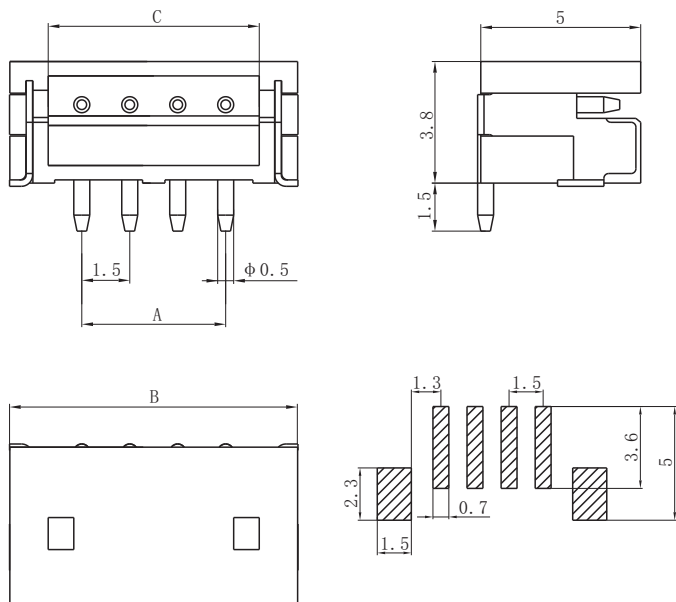
Circuits (电路)	Product name (产品名称)	Dimensions (尺寸mm)		
		A	B	C
2	ZH-2Y	1.50	4.50	3.40
3	ZH-3Y	3.00	6.00	4.90
4	ZH-4Y	4.50	7.50	6.40
5	ZH-5Y	6.00	9.00	7.90
6	ZH-6Y	7.50	10.50	9.40
7	ZH-7Y	9.00	12.00	10.90
8	ZH-8Y	10.50	13.50	12.40
9	ZH-9Y	12.00	15.00	13.90
10	ZH-10Y	13.50	16.50	15.40
11	ZH-11Y	15.00	18.00	16.90
12	ZH-12Y	16.50	19.50	18.40
13	ZH-13Y	18.00	21.00	19.90
14	ZH-14Y	19.50	22.50	21.40
15	ZH-15Y	21.00	24.00	22.90
16	ZH-16Y	22.50	25.50	24.40
17	ZH-17Y	24.00	27.00	25.90
18	ZH-18Y	25.50	28.50	27.40
19	ZH-19Y	27.00	30.00	28.90
20	ZH-20Y	28.50	31.50	30.40

Material (材料)

Housing (胶壳): Nylon (尼龙) UL94V-0 (2)

符合RoHS标准
RoHS compliance

DL15001-AB (ZH-AB)



Circuits (电路)	Product name (产品名称)	Dimensions (尺寸mm)		
		A	B	C
2	ZH-2AB	1.50	6.00	3.60
3	ZH-3AB	3.00	7.50	5.10
4	ZH-4AB	4.50	9.00	6.60
5	ZH-5AB	6.00	10.50	8.10
6	ZH-6AB	7.50	12.00	9.60
7	ZH-7AB	9.00	13.50	11.10
8	ZH-8AB	10.50	15.00	12.60
9	ZH-9AB	12.00	16.50	14.10
10	ZH-10AB	13.50	18.00	15.60
11	ZH-11AB	15.00	19.50	17.10
12	ZH-12AB	16.50	21.00	18.60
13	ZH-13AB	18.00	22.50	20.10
14	ZH-14AB	19.50	24.00	21.60
15	ZH-15AB	21.00	25.50	23.10
16	ZH-16AB	22.50	27.00	24.60
17	ZH-17AB	24.00	28.50	26.10
18	ZH-18AB	25.50	30.00	27.60
19	ZH-19AB	27.00	31.50	29.10
20	ZH-20AB	28.50	33.00	30.60

Material (材料)

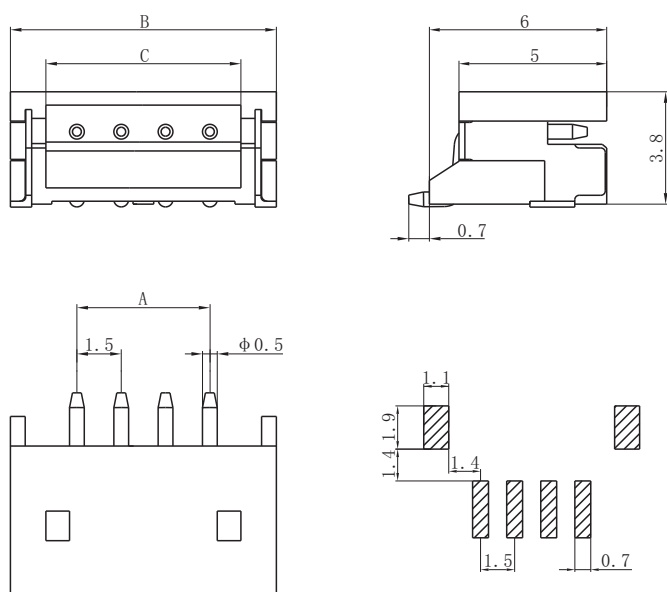
Housing (胶壳): LCP U194V-0

Wafer (接触件): Brass (黄铜) / Tin plated (镀锡)

Solder tabs (焊片): Brass (黄铜) / Tin plated (镀锡)

符合RoHS标准
RoHS compliance

DL15001-AWB (ZH-AWB)



Circuits (电路)	Product name (产品名称)	Dimensions (尺寸mm)		
		A	B	C
2	ZH-2AWB	1.50	6.00	3.60
3	ZH-3AWB	3.00	7.50	5.10
4	ZH-4AWB	4.50	9.00	6.60
5	ZH-5AWB	6.00	10.50	8.10
6	ZH-6AWB	7.50	12.00	9.60
7	ZH-7AWB	9.00	13.50	11.10
8	ZH-8AWB	10.50	15.00	12.60
9	ZH-9AWB	12.00	16.50	14.10
10	ZH-10AWB	13.50	18.00	15.60
11	ZH-11AWB	15.00	19.50	17.10
12	ZH-12AWB	16.50	21.00	18.60
13	ZH-13AWB	18.00	22.50	20.10
14	ZH-14AWB	19.50	24.00	21.60
15	ZH-15AWB	21.00	25.50	23.10
16	ZH-16AWB	22.50	27.00	24.60
17	ZH-17AWB	24.00	28.50	26.10
18	ZH-18AWB	25.50	30.00	27.60
19	ZH-19AWB	27.00	31.50	29.10
20	ZH-20AWB	28.50	33.00	30.60

Material (材料)

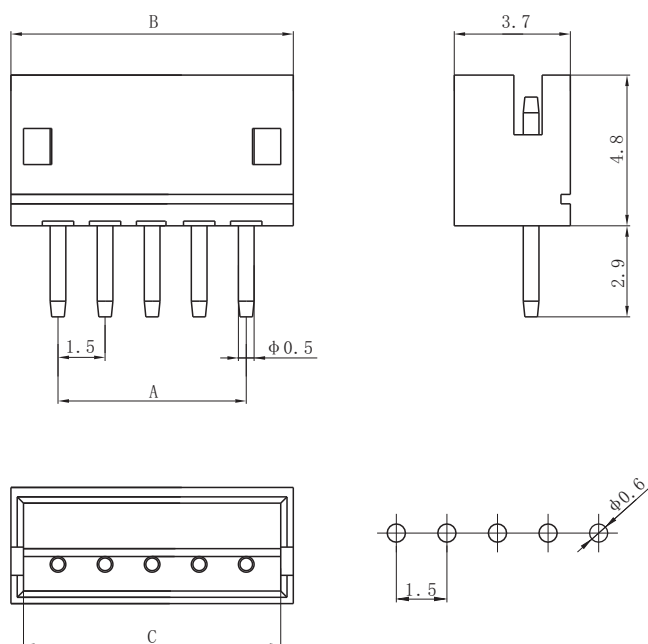
Housing (胶壳): LCP U194V-0

Wafer (接触件): Brass (黄铜) / Tin plated (镀锡)

Solder tabs (焊片): Brass (黄铜) / Tin plated (镀锡)

符合RoHS标准
RoHS compliance

□ DL15001-A (ZH-A)



Circuits (电路)	Product name (产品名称)	Dimensions (尺寸mm)		
		A	B	C
2	ZH-2A	1.50	4.50	3.70
3	ZH-3A	3.00	6.00	5.20
4	ZH-4A	4.50	7.50	6.70
5	ZH-5A	6.00	9.00	8.20
6	ZH-6A	7.50	10.50	9.70
7	ZH-7A	9.00	12.00	11.20
8	ZH-8A	10.50	13.50	12.70
9	ZH-9A	12.00	15.00	14.20
10	ZH-10A	13.50	16.50	15.70
11	ZH-11A	15.00	18.00	17.20
12	ZH-12A	16.50	19.50	18.70
13	ZH-13A	18.00	21.00	20.20
14	ZH-14A	19.50	22.50	21.70
15	ZH-15A	21.00	24.00	23.20
16	ZH-16A	22.50	25.50	24.70
17	ZH-17A	24.00	27.00	26.20
18	ZH-18A	25.50	28.50	27.70
19	ZH-19A	27.00	30.00	29.20
20	ZH-20A	28.50	31.50	30.70

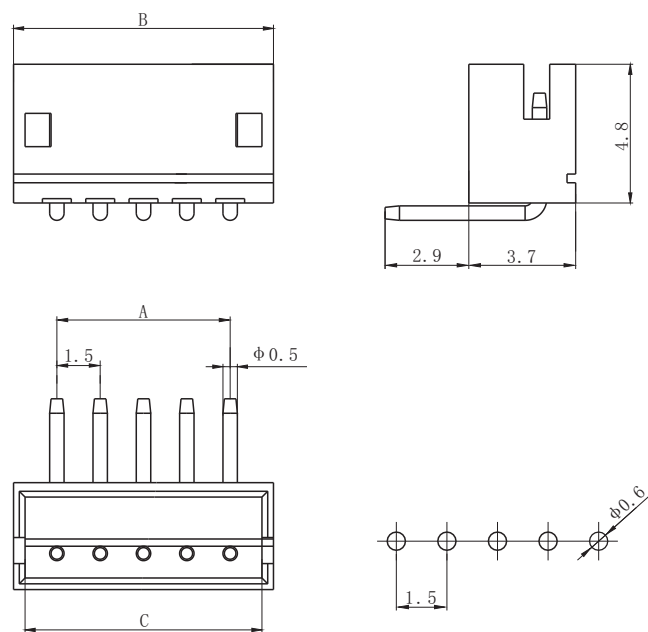
Material (材料)

Housing (胶壳): Nylon (尼龙) UL94V-0 (2)

Wafer (接触件): Brass (黄铜) / Tin plated (镀锡)

符合RoHS标准
RoHS compliance

□ DL15001-AW (ZH-AW)



Circuits (电路)	Product name (产品名称)	Dimensions (尺寸mm)		
		A	B	C
2	ZH-2AW	1.50	4.50	3.70
3	ZH-3AW	3.00	6.00	5.20
4	ZH-4AW	4.50	7.50	6.70
5	ZH-5AW	6.00	9.00	8.20
6	ZH-6AW	7.50	10.50	9.70
7	ZH-7AW	9.00	12.00	11.20
8	ZH-8AW	10.50	13.50	12.70
9	ZH-9AW	12.00	15.00	14.20
10	ZH-10AW	13.50	16.50	15.70
11	ZH-11AW	15.00	18.00	17.20
12	ZH-12AW	16.50	19.50	18.70
13	ZH-13AW	18.00	21.00	20.20
14	ZH-14AW	19.50	22.50	21.70
15	ZH-15AW	21.00	24.00	23.20
16	ZH-16AW	22.50	25.50	24.70
17	ZH-17AW	24.00	27.00	26.20
18	ZH-18AW	25.50	28.50	27.70
19	ZH-19AW	27.00	30.00	29.20
20	ZH-20AW	28.50	31.50	30.70

Material (材料)

Housing (胶壳): Nylon (尼龙) UL94V-0 (2)

Wafer (接触件): Brass (黄铜) / Tin plated (镀锡)

符合RoHS标准
RoHS compliance

□ DL15001-AWD (ZH-AWD)



Circuits (电路)	Product name (产品名称)	Dimensions (尺寸mm)		
		A	B	C
2	ZH-2AWD	1.50	4.50	3.70
3	ZH-3AWD	3.00	6.00	5.20
4	ZH-4AWD	4.50	7.50	6.70
5	ZH-5AWD	6.00	9.00	8.20
6	ZH-6AWD	7.50	10.50	9.70
7	ZH-7AWD	9.00	12.00	11.20
8	ZH-8AWD	10.50	13.50	12.70
9	ZH-9AWD	12.00	15.00	14.20
10	ZH-10AWD	13.50	16.50	15.70
11	ZH-11AWD	15.00	18.00	17.20
12	ZH-12AWD	16.50	19.50	18.70
13	ZH-13AWD	18.00	21.00	20.20
14	ZH-14AWD	19.50	22.50	21.70
15	ZH-15AWD	21.00	24.00	23.20
16	ZH-16AWD	22.50	25.50	24.70
17	ZH-17AWD	24.00	27.00	26.20
18	ZH-18AWD	25.50	28.50	27.70
19	ZH-19AWD	27.00	30.00	29.20
20	ZH-20AWD	28.50	31.50	30.70

Material (材料)

Housing (胶壳): Nylon (尼龙) UL94V-0 (2)

Wafer (接触件): Brass (黄铜) / Tin plated (镀锡)

符合RoHS标准
RoHS compliance

□ DL15001-R (ZH-R)



Circuits (电路)	Product name (产品名称)	Dimensions (尺寸mm)		
		A	B	C
2	ZH-2R	1.50	4.50	5.50
3	ZH-3R	3.00	6.00	7.00
4	ZH-4R	4.50	7.50	8.50
5	ZH-5R	6.00	9.00	10.00
6	ZH-6R	7.50	10.50	11.50
7	ZH-7R	9.00	12.00	13.00
8	ZH-8R	10.50	13.50	14.50
9	ZH-9R	12.00	15.00	16.00
10	ZH-10R	13.50	16.50	17.50
11	ZH-11R	15.00	18.00	19.00
12	ZH-12R	16.50	19.50	20.50
13	ZH-13R	18.00	21.00	22.00
14	ZH-14R	19.50	22.50	23.50
15	ZH-15R	21.00	24.00	25.00
16	ZH-16R	22.50	25.50	26.50
17	ZH-17R	24.00	27.00	28.00
18	ZH-18R	25.50	28.50	29.50
19	ZH-19R	27.00	30.00	31.00
20	ZH-20R	28.50	31.50	32.50

Material (材料)

Housing (胶壳): Nylon (尼龙) UL94V-0 (2)

符合RoHS标准
RoHS compliance

X-ON Electronics

Largest Supplier of Electrical and Electronic Components

Click to view similar products for [Headers & Wire Housings](#) category:

Click to view products by [DLL](#) manufacturer:

Other Similar products are found below :

[0015917161](#) [0022155065](#) [57102-F02-18ULF](#) [58102-G61-06LF](#) [582553-1](#) [01.001.5753.1](#) [0050291907](#) [02.125.8002.8](#) [609-3404](#) [61062-3](#)
[CSU011177004](#) [622-0430](#) [622-3653LF](#) [63453-116](#) [636-1030](#) [636-1427](#) [636-3427](#) [636-4007](#) [641938-9](#) [65495-038](#) [65692-001LF](#) [65781-018](#)
[65781-047](#) [65817-010LF](#) [65817-015LF](#) [67095-007LF](#) [67601157](#) [68631-112](#) [68645-018](#) [699319-000](#) [70.362.1628.0](#) [70-4210](#) [70-4226B](#) [70-](#)
[4853B](#) [71.350.2428.0](#) [733-134](#) [733-162](#) [MHR-64-VUAL](#) [80.063.4001.1](#) [800-90-001-10-001000](#) [801-43-002-10-013000](#) [801-43-006-10-](#)
[002000](#) [803-43-024-10-001000](#) [803-93-012-10-001000](#) [8-1437020-4](#) [819-22-004-30-001101](#) [820-22-006-30-001101](#) [820-22-008-30-001101](#)
[821-22-002-10-001101](#) [821-22-003-10-002101](#)