

技术特性/Specifications:

额定电压 Rated voltage: 50V AC, DC
 额定电流 Rated current: 1.25A AC, DC
 接触电阻 Contact resistance: 30mΩ max
 绝缘电阻 Insulation resistance: 500MΩ min
 耐压 Withstand voltage: 500V AC/minute
 环境温度 Ambient temperature: -35°C~+105°C
 适用线规 Wire range: AWG#28~#24

标准/Standard:

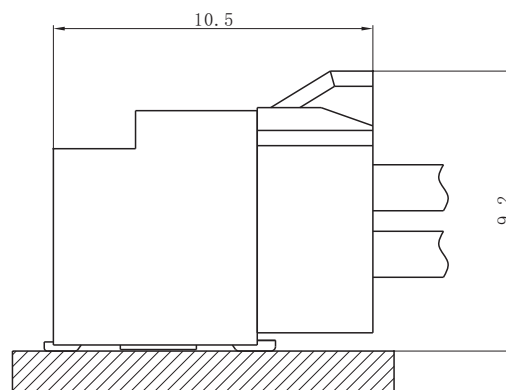
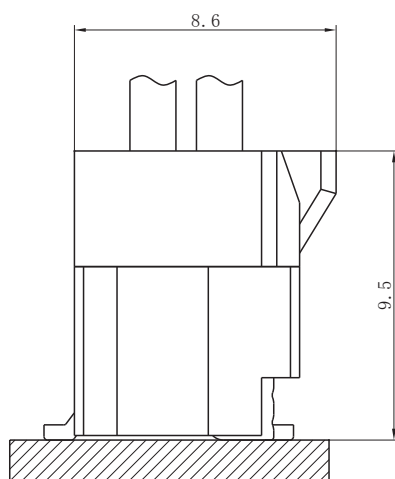


详细参数请咨询:

- E-mail: manager@zjdll.com
- E-mail: technical-support@zjdll.com
- WeChat: 13867778918

PC电路板布局和组件布局 PC board layout and Assembly layout

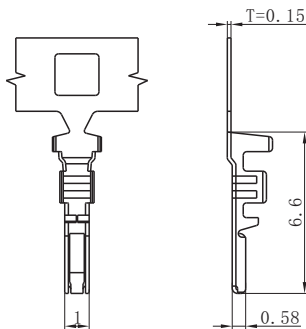
▣ Assembly layout (装配布局)



上图为连接器安装侧观察图

Notes: The above figure is the figure viewed from the connector mounting side.

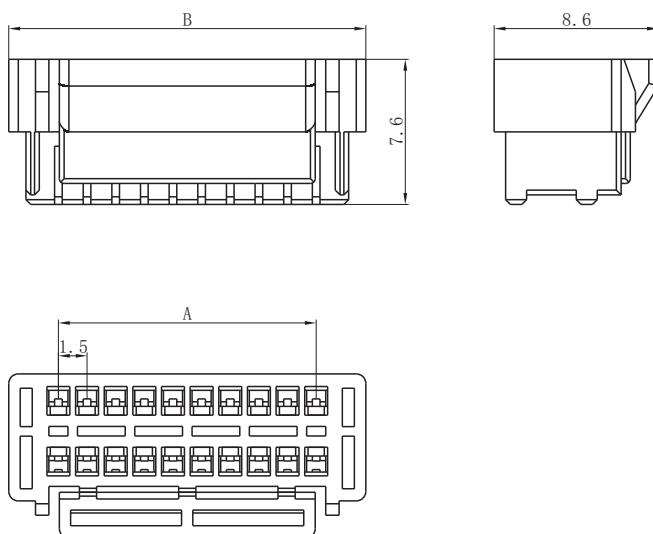
□ DL15007-T (ZHD-T)



| Model No. (型号) | Applicable wire (适用线规) | | | Material (材料) | Plating (电镀) | Qty/reel (数量/盘) |
|-------------------|------------------------|-------|--------------------------|-----------------------|-----------------|-----------------|
| | mm ² | AWG# | Insulation O.D. (绝缘外径mm) | | | |
| DL15007-T (ZHD-T) | 0.08~0.21 | 28~24 | φ 0.76~1.20 | Phosphor bronze (磷青铜) | Tin Plated (镀锡) | 15000 |

符合RoHS标准
RoHS compliance

□ DL15007-Y (ZHD-Y)



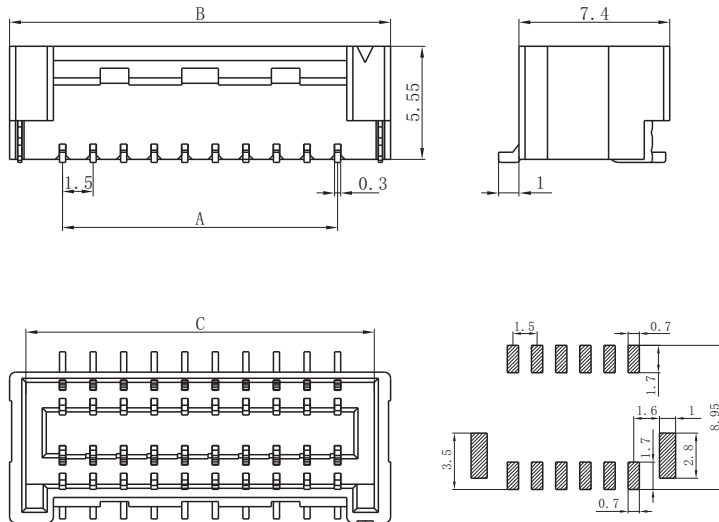
| Circuits (电路) | Product name (产品名称) | Dimensions (尺寸mm) | |
|---------------|---------------------|-------------------|-------|
| | | A | B |
| 2X2 | ZHD-4Y | 1.50 | 6.70 |
| 2X3 | ZHD-6Y | 3.00 | 8.20 |
| 2X4 | ZHD-8Y | 4.50 | 9.70 |
| 2X5 | ZHD-10Y | 6.00 | 11.20 |
| 2X6 | ZHD-12Y | 7.50 | 12.70 |
| 2X7 | ZHD-14Y | 9.00 | 14.20 |
| 2X8 | ZHD-16Y | 10.50 | 15.70 |
| 2X9 | ZHD-18Y | 12.00 | 17.20 |
| 2X10 | ZHD-20Y | 13.50 | 18.70 |
| 2X11 | ZHD-22Y | 15.00 | 20.20 |
| 2X12 | ZHD-24Y | 16.50 | 21.70 |
| 2X13 | ZHD-26Y | 18.00 | 23.20 |
| 2X14 | ZHD-28Y | 19.50 | 24.70 |
| 2X15 | ZHD-30Y | 21.00 | 26.20 |
| 2X16 | ZHD-32Y | 22.50 | 27.70 |
| 2X17 | ZHD-34Y | 24.00 | 29.20 |
| 2X18 | ZHD-36Y | 25.50 | 30.70 |
| ~ | ~ | ~ | ~ |
| 2X30 | ZHD-60Y | 28.50 | 33.70 |

Material (材料)

Housing (胶壳): Nylon (尼龙) UL94V-0 (2)

符合RoHS标准
RoHS compliance

□ DL15007-AB (ZHD-AB)



| Circuits (电路) | Product name (产品名称) | Dimensions (尺寸mm) | | |
|------------------|------------------------|-------------------|-------|-------|
| | | A | B | C |
| 2X2 | ZHD-4AB | 1.50 | 6.70 | 5.10 |
| 2X3 | ZHD-6AB | 3.00 | 8.20 | 6.60 |
| 2X4 | ZHD-8AB | 4.50 | 9.70 | 8.10 |
| 2X5 | ZHD-10AB | 6.00 | 11.20 | 9.60 |
| 2X6 | ZHD-12AB | 7.50 | 12.70 | 11.10 |
| 2X7 | ZHD-14AB | 9.00 | 14.20 | 12.60 |
| 2X8 | ZHD-16AB | 10.50 | 15.70 | 14.10 |
| 2X9 | ZHD-18AB | 12.00 | 17.20 | 15.60 |
| 2X10 | ZHD-20AB | 13.50 | 18.70 | 17.10 |
| 2X11 | ZHD-22AB | 15.00 | 20.20 | 18.60 |
| 2X12 | ZHD-24AB | 16.50 | 21.70 | 20.10 |
| 2X13 | ZHD-26AB | 18.00 | 23.20 | 21.60 |
| 2X14 | ZHD-28AB | 19.50 | 24.70 | 23.10 |
| 2X15 | ZHD-30AB | 21.00 | 26.20 | 24.60 |
| 2X16 | ZHD-32AB | 22.50 | 27.70 | 26.10 |
| 2X17 | ZHD-34AB | 24.00 | 29.20 | 27.60 |
| 2X18 | ZHD-36AB | 25.50 | 30.70 | 29.10 |
| ~ | ~ | ~ | ~ | ~ |
| 2X30 | ZHD-60AB | 28.50 | 33.70 | 32.10 |

Material (材料)

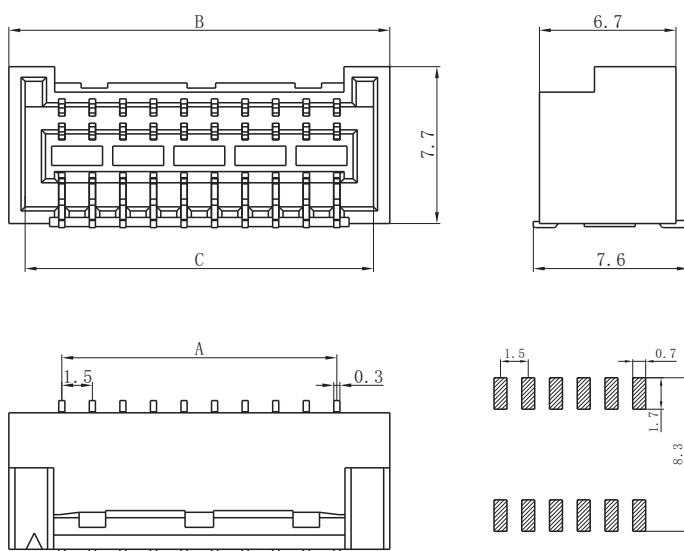
Housing (胶壳): LCP UL94V-0

Wafer (接触件): Phosphor bronze (磷青铜) / Tin plated (镀锡)

Solder tabs (焊片): Brass (黄铜) / Tin plated (镀锡)

符合RoHS标准
RoHS compliance

□ DL15007-AWB (ZHD-AWB)



| Circuits (电路) | Product name (产品名称) | Dimensions (尺寸mm) | | |
|------------------|------------------------|-------------------|-------|-------|
| | | A | B | C |
| 2X2 | ZHD-4AWB | 1.50 | 6.70 | 5.10 |
| 2X3 | ZHD-6AWB | 3.00 | 8.20 | 6.60 |
| 2X4 | ZHD-8AWB | 4.50 | 9.70 | 8.10 |
| 2X5 | ZHD-10AWB | 6.00 | 11.20 | 9.60 |
| 2X6 | ZHD-12AWB | 7.50 | 12.70 | 11.10 |
| 2X7 | ZHD-14AWB | 9.00 | 14.20 | 12.60 |
| 2X8 | ZHD-16AWB | 10.50 | 15.70 | 14.10 |
| 2X9 | ZHD-18AWB | 12.00 | 17.20 | 15.60 |
| 2X10 | ZHD-20AWB | 13.50 | 18.70 | 17.10 |
| 2X11 | ZHD-22AWB | 15.00 | 20.20 | 18.60 |
| 2X12 | ZHD-24AWB | 16.50 | 21.70 | 20.10 |
| 2X13 | ZHD-26AWB | 18.00 | 23.20 | 21.60 |
| 2X14 | ZHD-28AWB | 19.50 | 24.70 | 23.10 |
| 2X15 | ZHD-30AWB | 21.00 | 26.20 | 24.60 |
| 2X16 | ZHD-32AWB | 22.50 | 27.70 | 26.10 |
| 2X17 | ZHD-34AWB | 24.00 | 29.20 | 27.60 |
| 2X18 | ZHD-36AWB | 25.50 | 30.70 | 29.10 |
| ~ | ~ | ~ | ~ | ~ |
| 2X30 | ZHD-60AWB | 28.50 | 33.70 | 32.10 |

Material (材料)

Housing (胶壳): LCP UL94V-0

Wafer (接触件): Phosphor bronze (磷青铜) / Tin plated (镀锡)

Solder tabs (焊片): Brass (黄铜) / Tin plated (镀锡)

符合RoHS标准
RoHS compliance

X-ON Electronics

Largest Supplier of Electrical and Electronic Components

Click to view similar products for [Headers & Wire Housings](#) category:

Click to view products by [DLL](#) manufacturer:

Other Similar products are found below :

[0015917161](#) [0022155065](#) [57102-F02-18ULF](#) [58102-G61-06LF](#) [582553-1](#) [01.001.5753.1](#) [0050291907](#) [02.125.8002.8](#) [609-3404](#) [61062-3](#)
[CSU011177004](#) [622-0430](#) [622-3653LF](#) [63453-116](#) [636-1030](#) [636-1427](#) [636-3427](#) [636-4007](#) [641938-9](#) [65495-038](#) [65692-001LF](#) [65781-018](#)
[65781-047](#) [65817-010LF](#) [65817-015LF](#) [67095-007LF](#) [67601157](#) [68631-112](#) [68645-018](#) [699319-000](#) [70.362.1628.0](#) [70-4210](#) [70-4226B](#) [70-](#)
[4853B](#) [71.350.2428.0](#) [733-134](#) [733-162](#) [760-3052](#) [MHR-64-VUAL](#) [80.063.4001.1](#) [800-90-001-10-001000](#) [801-43-002-10-013000](#)
[801-43-006-10-002000](#) [803-43-024-10-001000](#) [803-93-012-10-001000](#) [8-1437020-4](#) [819-22-004-30-001101](#) [820-22-006-30-001101](#)
[820-22-008-30-001101](#) [821-22-002-10-001101](#)